

US0D1045089S

(12) **United States Design Patent** (10) **Patent No.:** **US D1,045,089 S**
Emken et al. (45) **Date of Patent:** **** Oct. 1, 2024**

(54) **BINOCULAR, LIGHT BLOCKING, FACE REST FOR MONOCULAR CAMERA**

<URL:https://verily.com/solutions/numetric/retinal-service> (Year: 2023).*

(71) Applicant: **Verily Life Sciences LLC**, South San Francisco, CA (US)

(Continued)

(72) Inventors: **Jeremy Emken**, Belmont, CA (US); **Christopher Ioffreda**, Brooklyn, NY (US); **Eric Li**, Millbrae, CA (US); **Jonathan Grossman**, San Francisco, CA (US); **Ethan Glassman**, Palo Alto, CA (US); **Eric Bennett**, San Carlos, CA (US)

Primary Examiner — Sanjeev Paul

Assistant Examiner — Breana Copeland

(74) *Attorney, Agent, or Firm* — Christensen O'Connor Johnson Kindness PLLC

(73) Assignee: **Verily Life Sciences LLC**, Dallas, TX (US)

(57) **CLAIM**

We claim the ornamental design for a binocular, light blocking, face rest for monocular camera, as shown and described.

(**) Term: **15 Years**

DESCRIPTION

(21) Appl. No.: **29/848,318**

FIG. 1 is a top, front side perspective view of a binocular, light blocking, face rest for monocular camera, in accordance with a first embodiment.

(22) Filed: **Aug. 1, 2022**

FIG. 2 is a bottom, back side perspective view of the first embodiment.

(51) **LOC (14) Cl.** **24-02**

FIG. 3 is a front elevation view with the face rest slid to the right eye imaging position of the first embodiment.

(52) **U.S. Cl.**

USPC **D24/172**

FIG. 4 is a rear elevation view of the first embodiment.

(58) **Field of Classification Search**

USPC D16/100, 130, 131, 133, 136, 221, 227; D24/120, 150, 172

FIG. 5 is a top plan view of the first embodiment.

FIG. 6 is a bottom plan view of the first embodiment.

FIG. 7 is a left side elevation view of the first embodiment.

FIG. 8 is a right side elevation view of the first embodiment.

FIG. 9 is a front elevation view with the face rest slid to the left eye imaging position of the first embodiment.

FIG. 10 is a top, front side perspective view of a binocular, light blocking, face rest for monocular camera, in accordance with a second embodiment.

FIG. 11 is a bottom, back side perspective view of the second embodiment.

FIG. 12 is a front elevation view with the face rest slid to the right eye imaging position of the second embodiment.

FIG. 13 is a rear elevation view of the second embodiment.

FIG. 14 is a top plan view with the face rest slid to right eye imaging position of the second embodiment.

FIG. 15 is a bottom plan view of the second embodiment.

FIG. 16 is a left side elevation view of the second embodiment.

(Continued)

(56) **References Cited**

U.S. PATENT DOCUMENTS

D479,728 S * 9/2003 Tanaka D16/202
D711,862 S * 8/2014 Fathollahi D14/250

(Continued)

FOREIGN PATENT DOCUMENTS

CN 308306321 * 11/2023
JP D1562864 * 10/2019
TW 217900-0001 * 3/2022

OTHER PUBLICATIONS

Verily Service Retinal Screening Tool, earliest pictured Oct. 16, 2023, [online], [site visited Apr. 26, 2024]. Available via Internet,

(Continued)

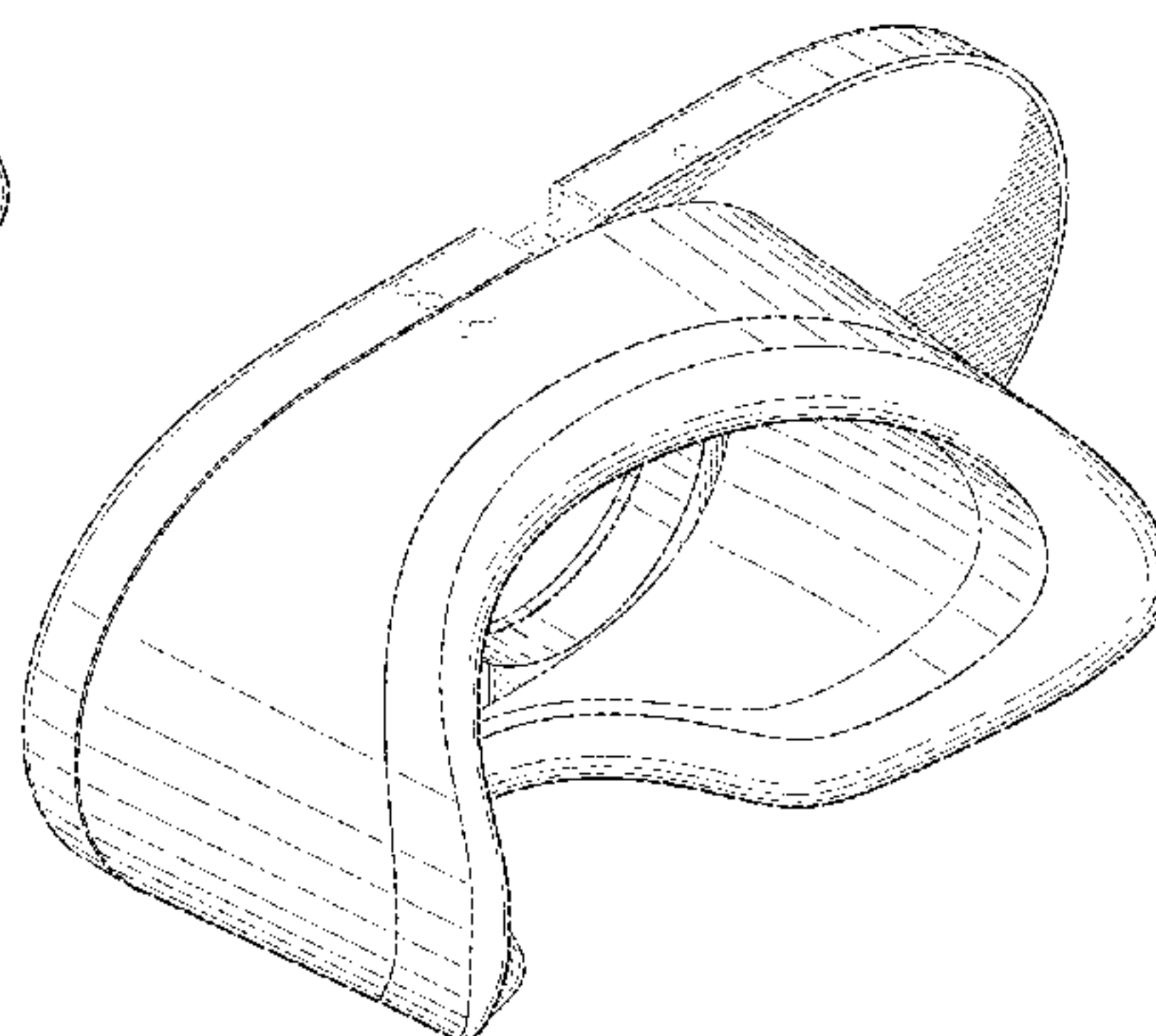
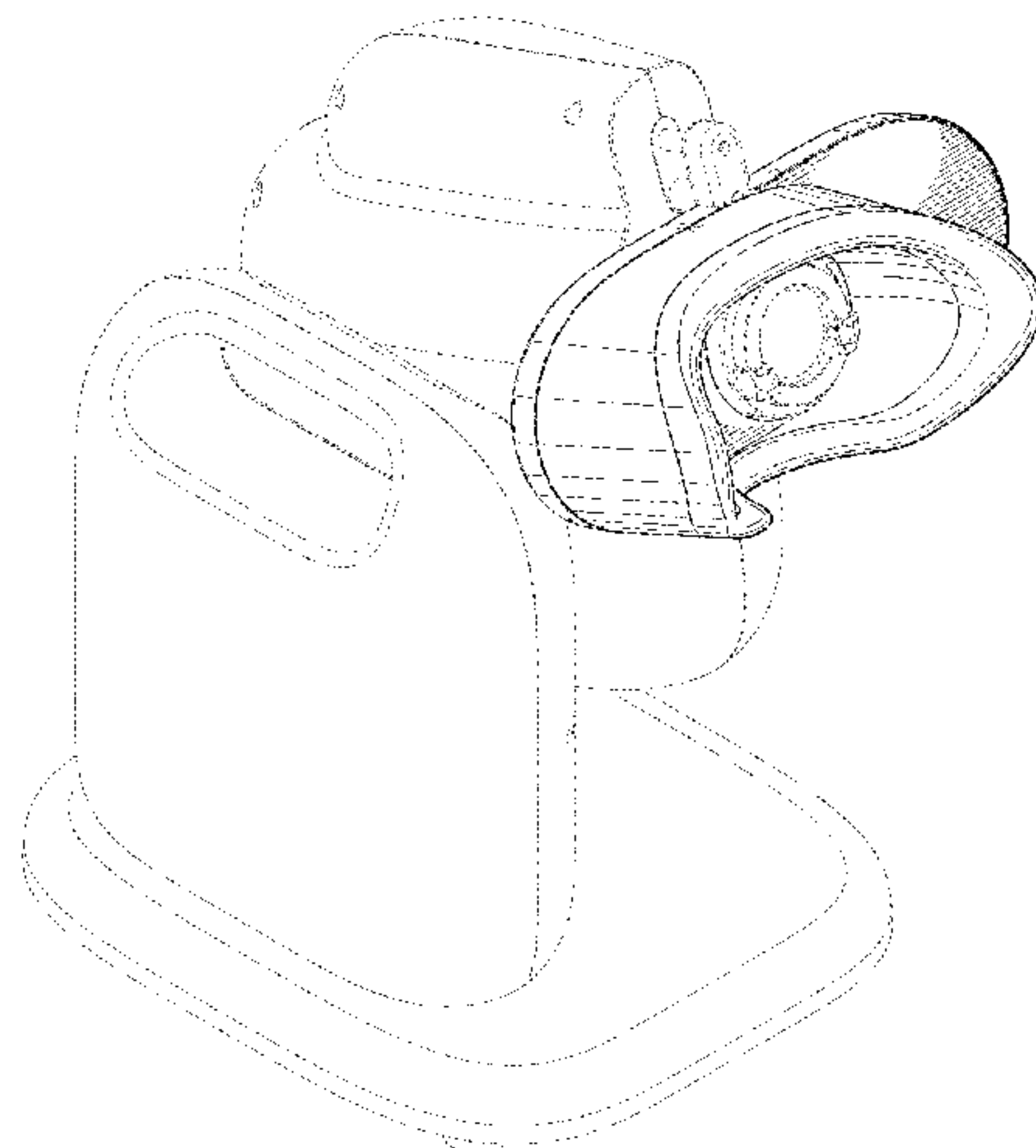


FIG. 17 is a right side elevation view of the second embodiment; and,

FIG. 18 is a top plan view with the face rest slid to the left eye imaging position of the second embodiment.

The broken lines in the drawings are shown for the purpose of illustrating unclaimed portions of the binocular, light blocking, face rest for monocular camera and form no part of the claimed design.

1 Claim, 15 Drawing Sheets

(58) **Field of Classification Search**

CPC G03B 11/046; G03B 11/045
See application file for complete search history.

(56) **References Cited**

U.S. PATENT DOCUMENTS

D793,462 S * 8/2017 Lottes D16/132

D931,360 S * 9/2021 Huang D16/237
D950,063 S * 4/2022 Jackson D24/172
D1,016,122 S * 2/2024 Petty D16/219

OTHER PUBLICATIONS

Jerry Ryle Portfolio Verily Retinal Camera, earliest pictured 2022, [online], [site visitedApr. 26, 2024]. Available via Internet, <URL:https://www.jerryryle.com/#verily-retinal-camera> (Year: 2022).*

Amazon Rubber Eye Cups, earliest picturedMar. 15, 2023, [online], [site visitedApr. 26, 2024]. Available via Internet, <URL:https://www.amazon.com/Microscope-Binoculars-Telescope-Eyepieces-39-42mm/dp/B0BYH37HX3> (Year: 2023).*

Google Search, [online], [site visitedApr. 26, 2024]. Available via Internet, <URL:https://www.google.com/search?q=rubber+eye+guard&sca_esv=b48e549650e04a60&rlz=1C1GCEA_enUS1049US1049&udm=2&biw=2133&bih=1> (Year: 2024).*

* cited by examiner

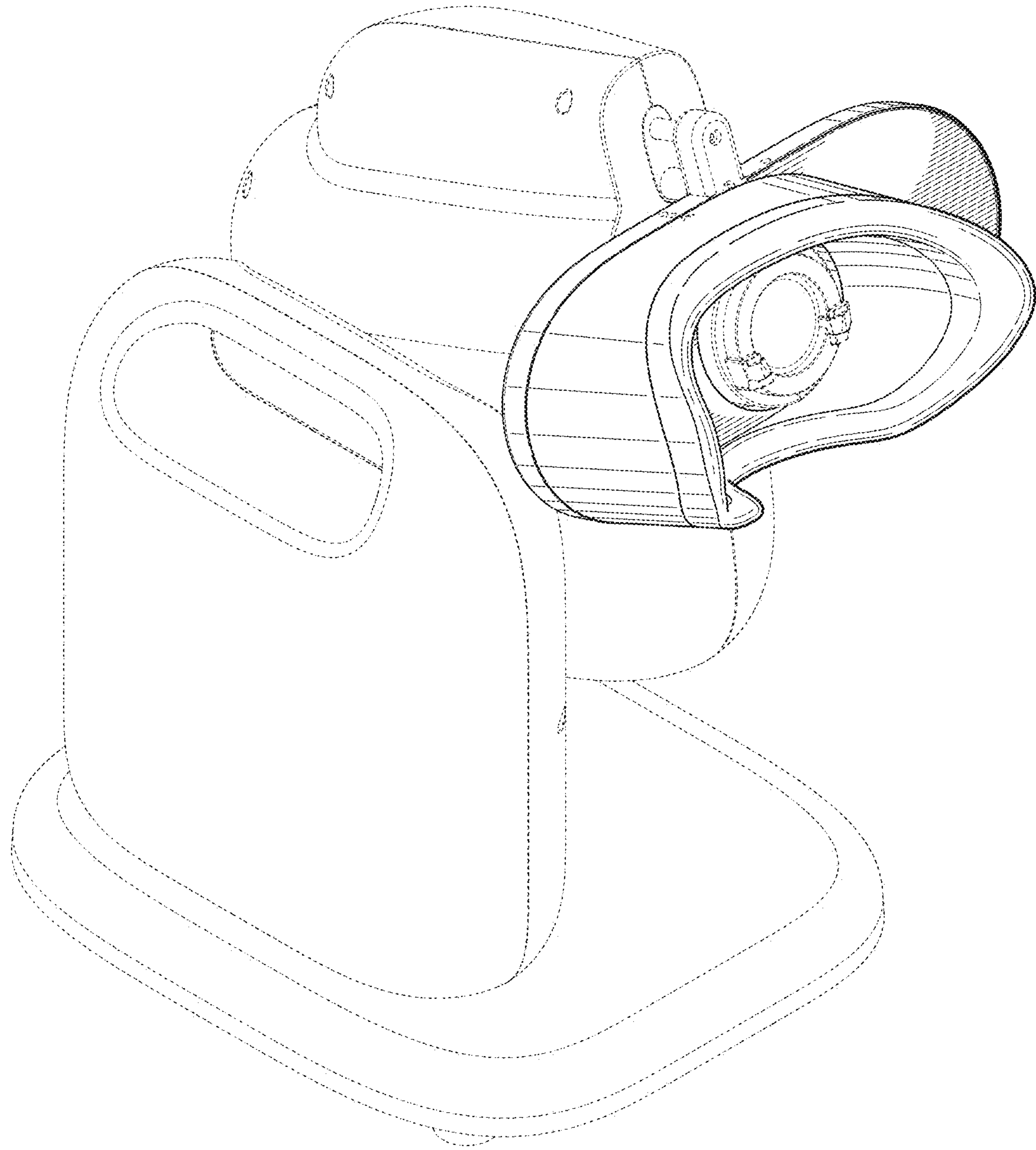


FIG. 1

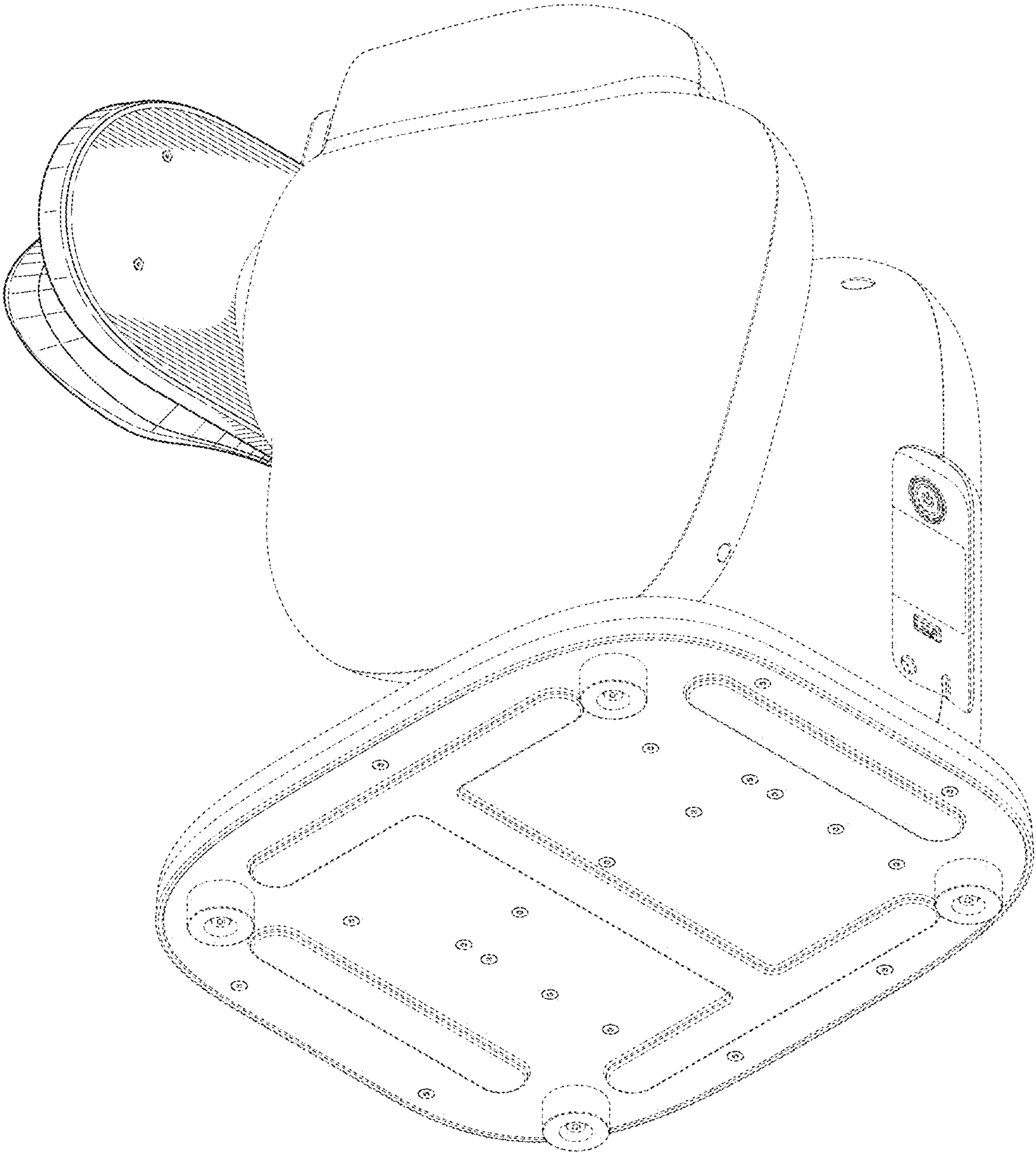


FIG. 2

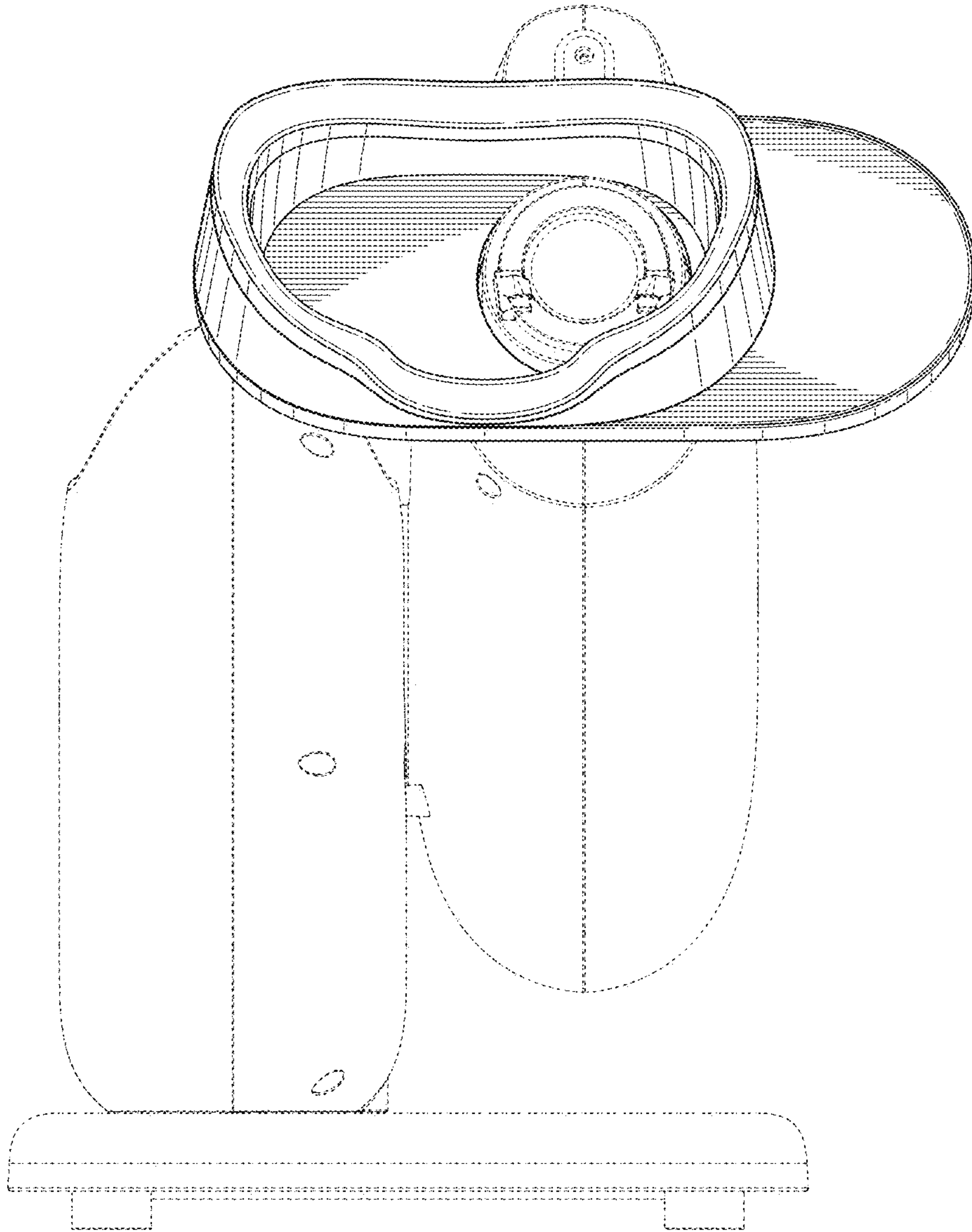


FIG. 3

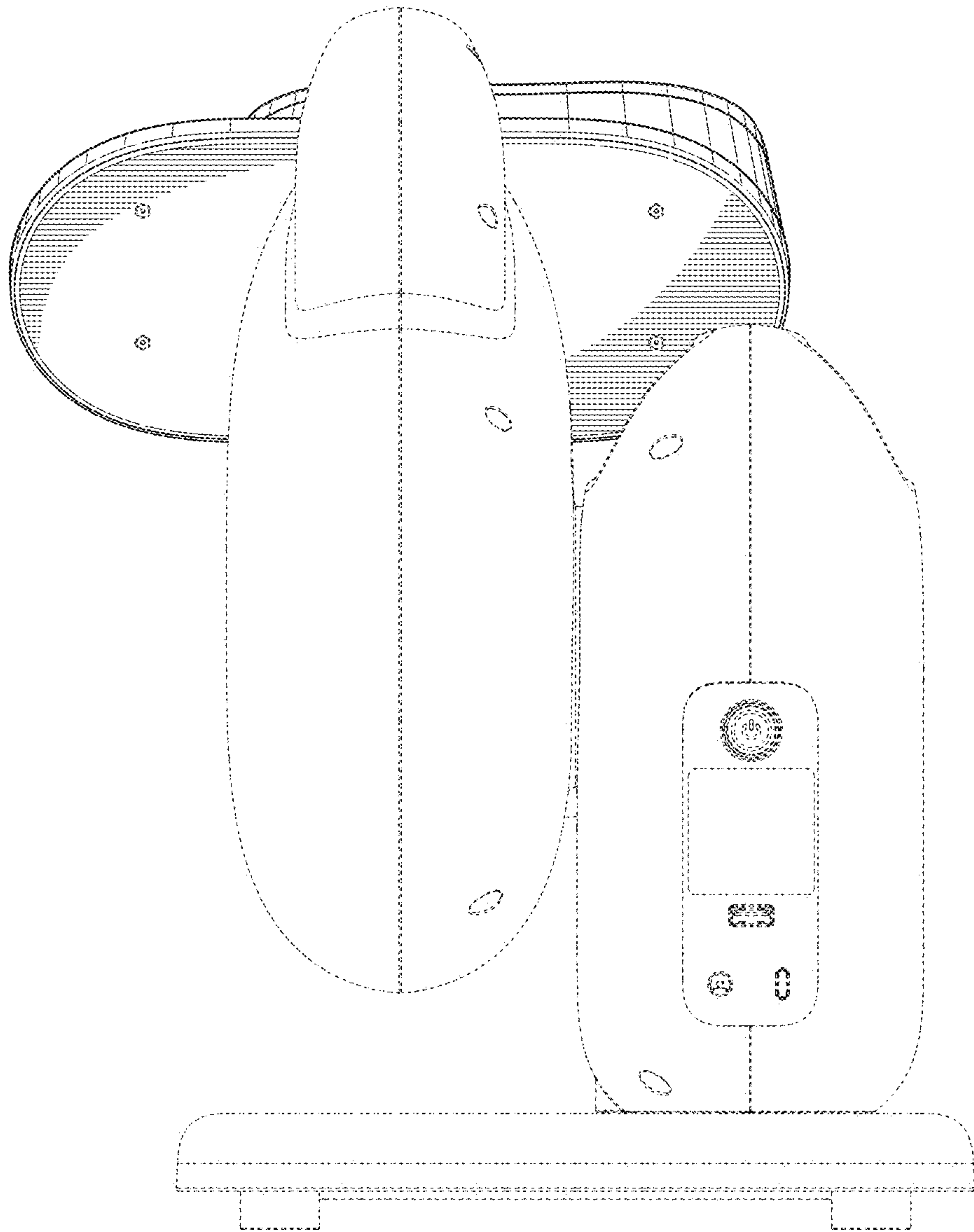


FIG. 4

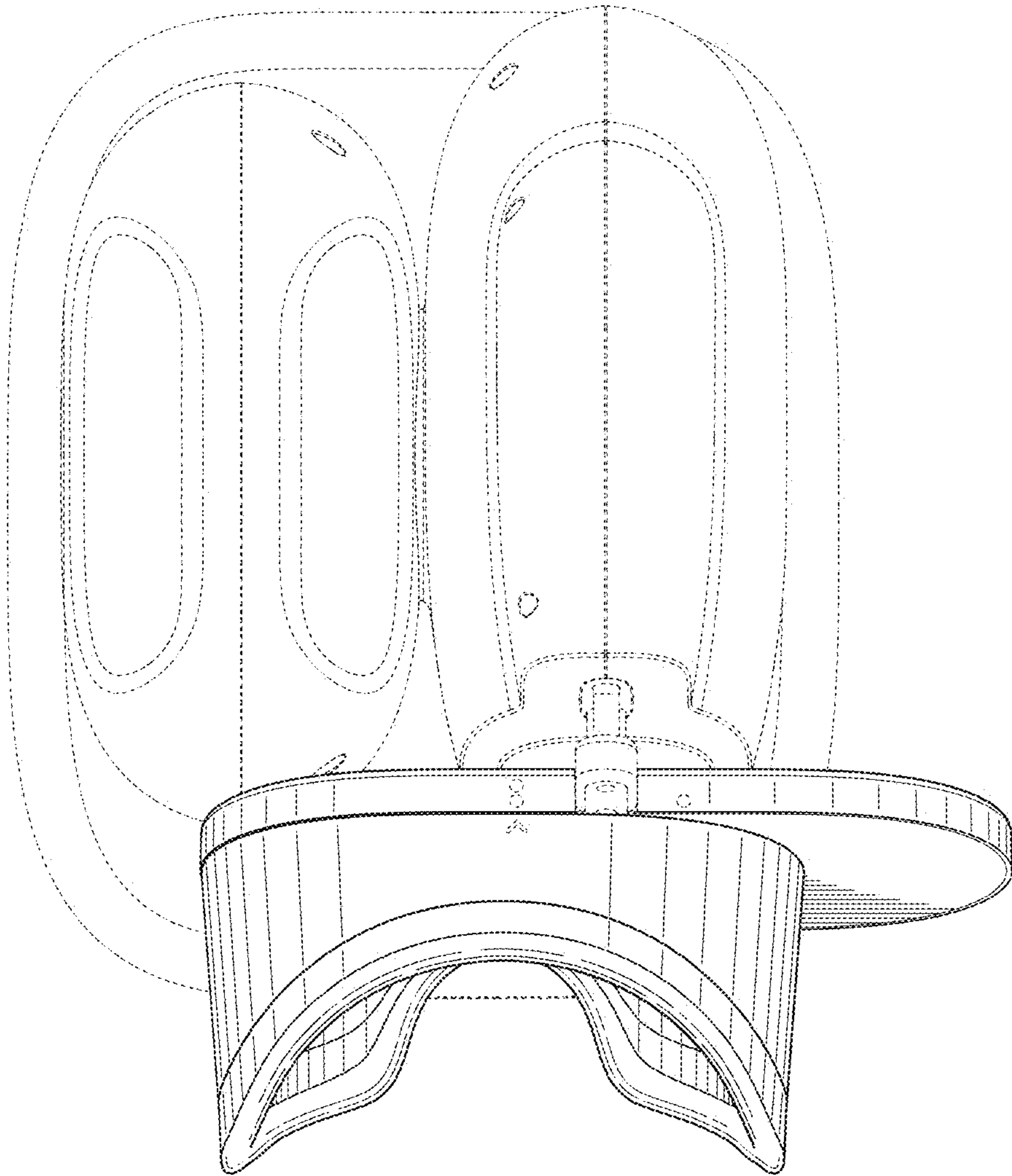


FIG. 5

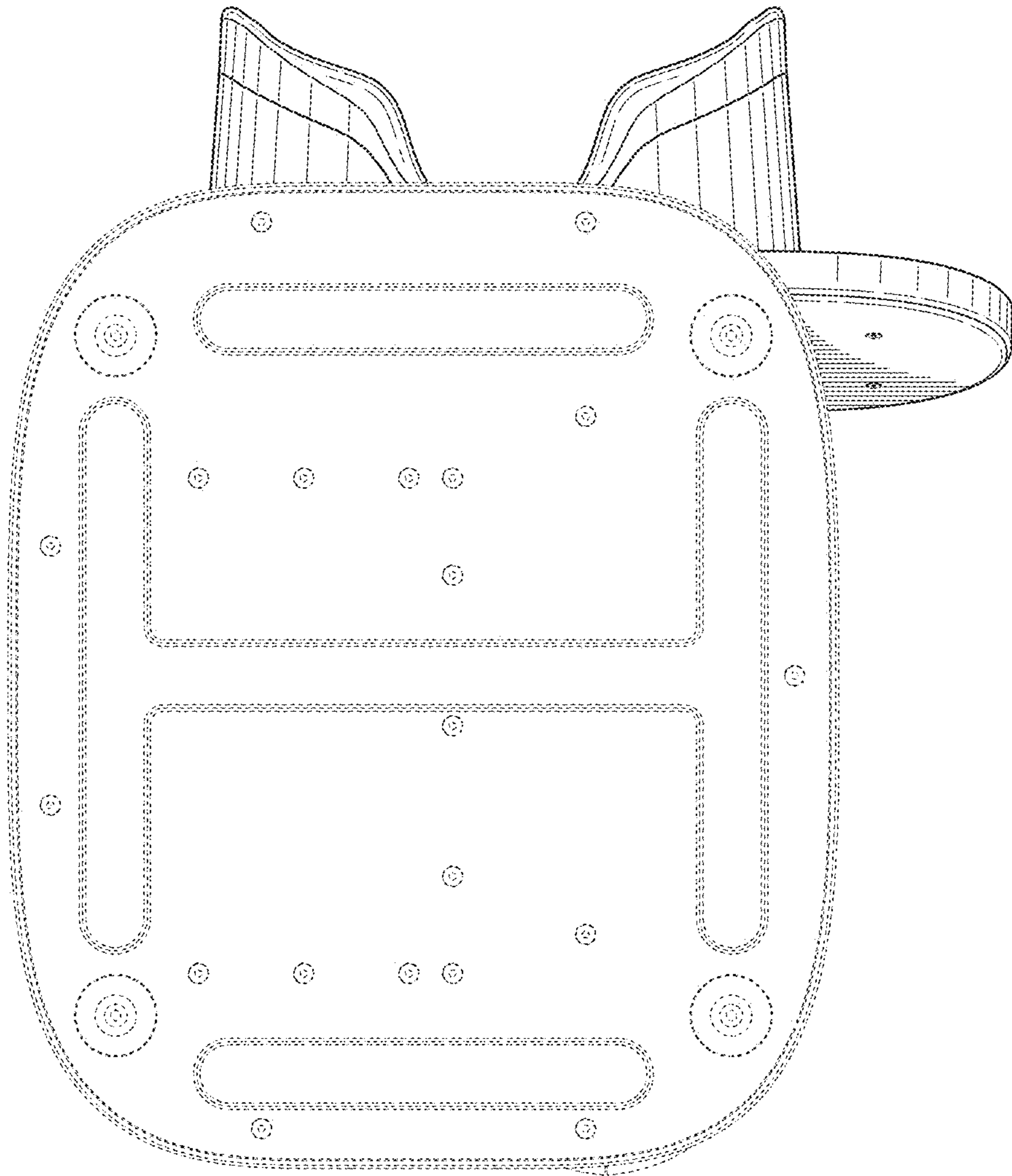


FIG. 6

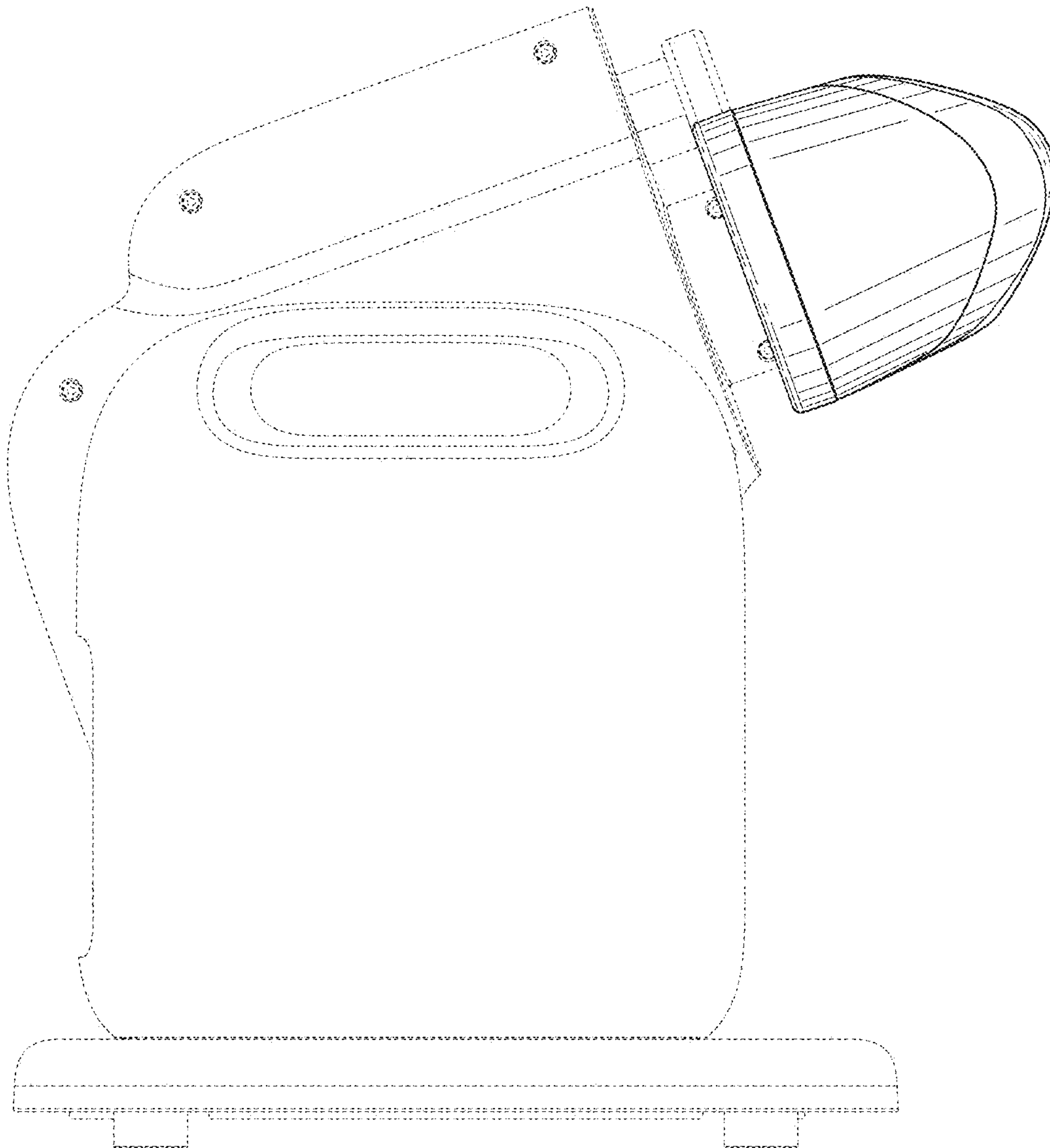


FIG. 7

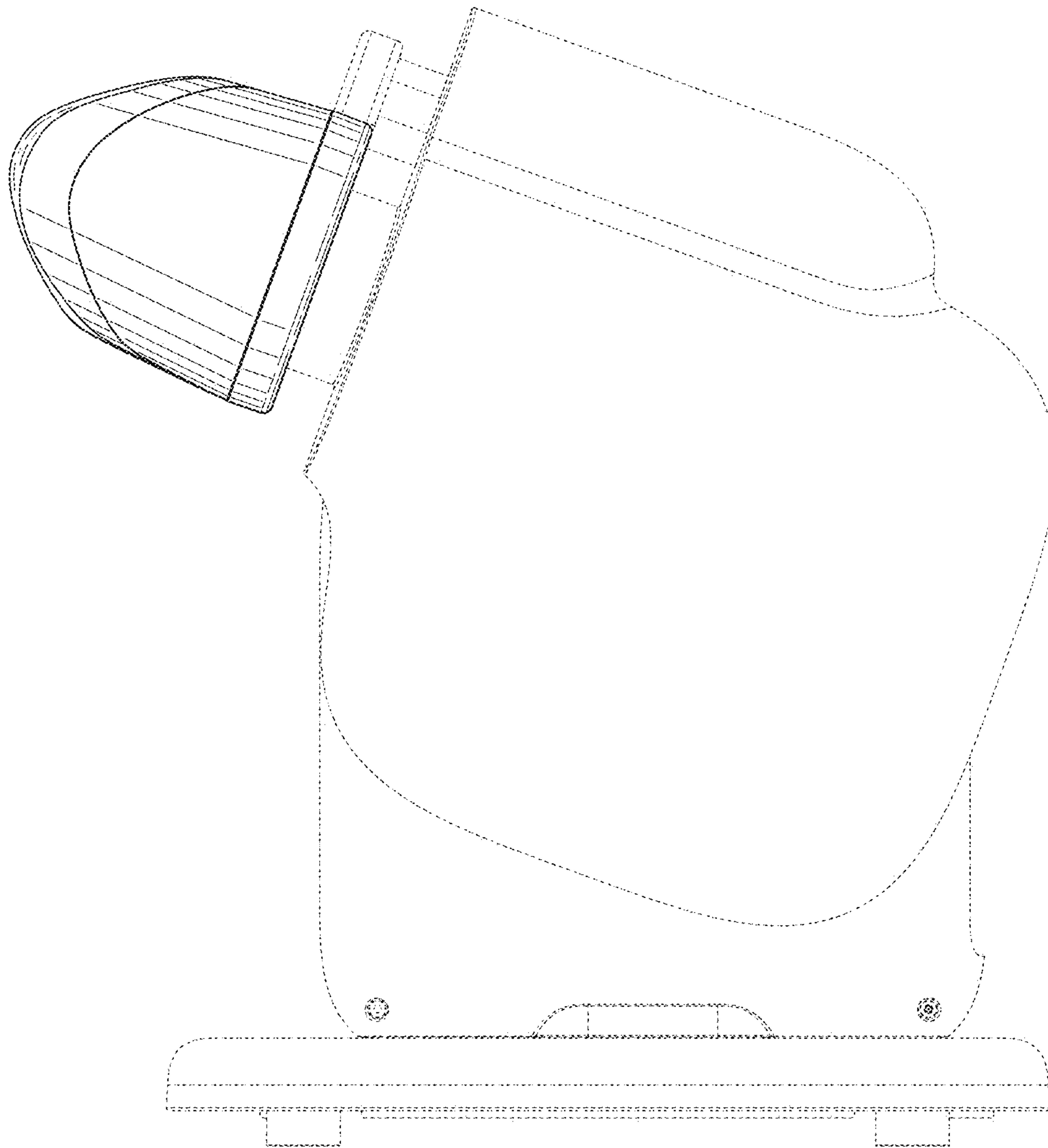


FIG. 8

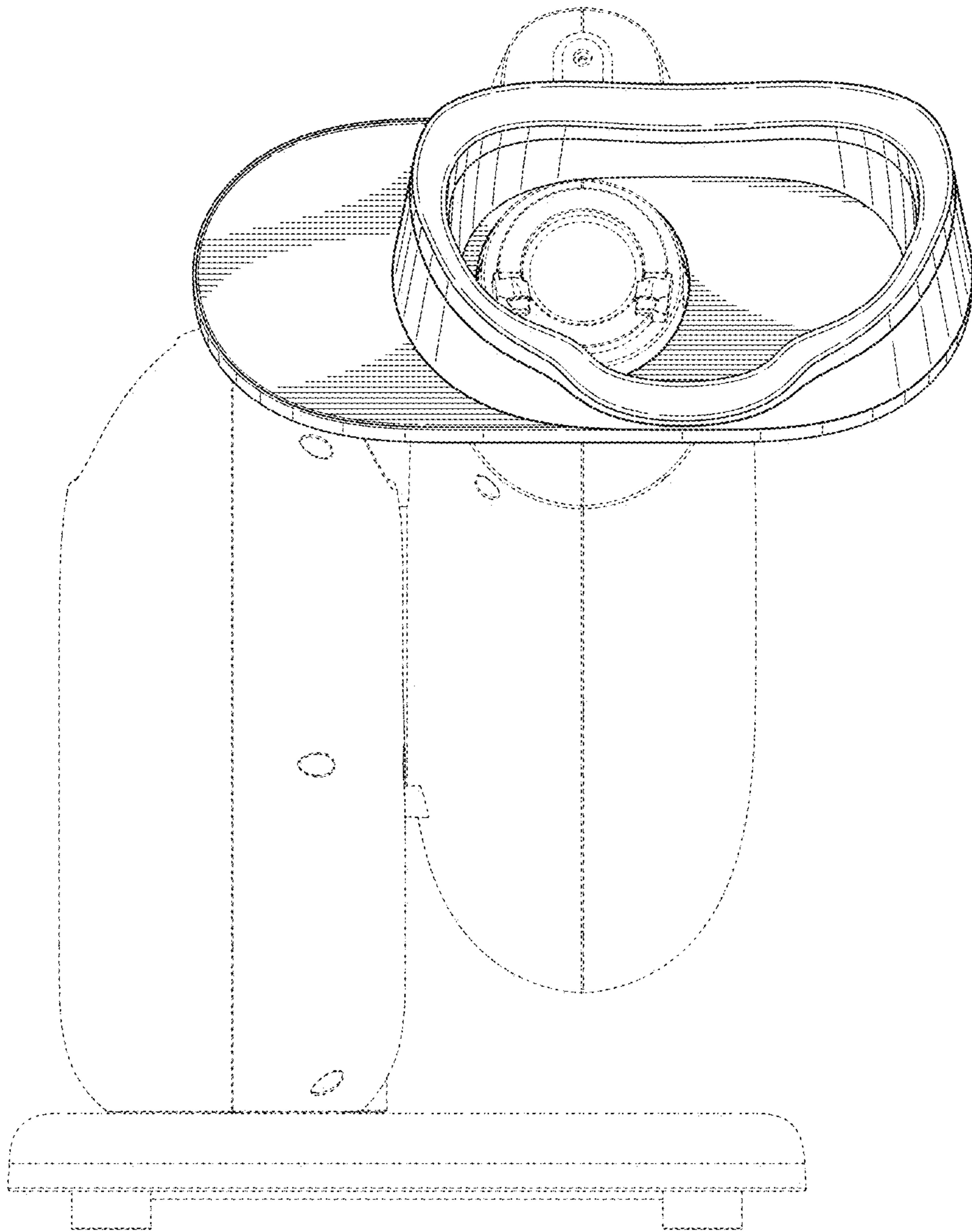


FIG. 9

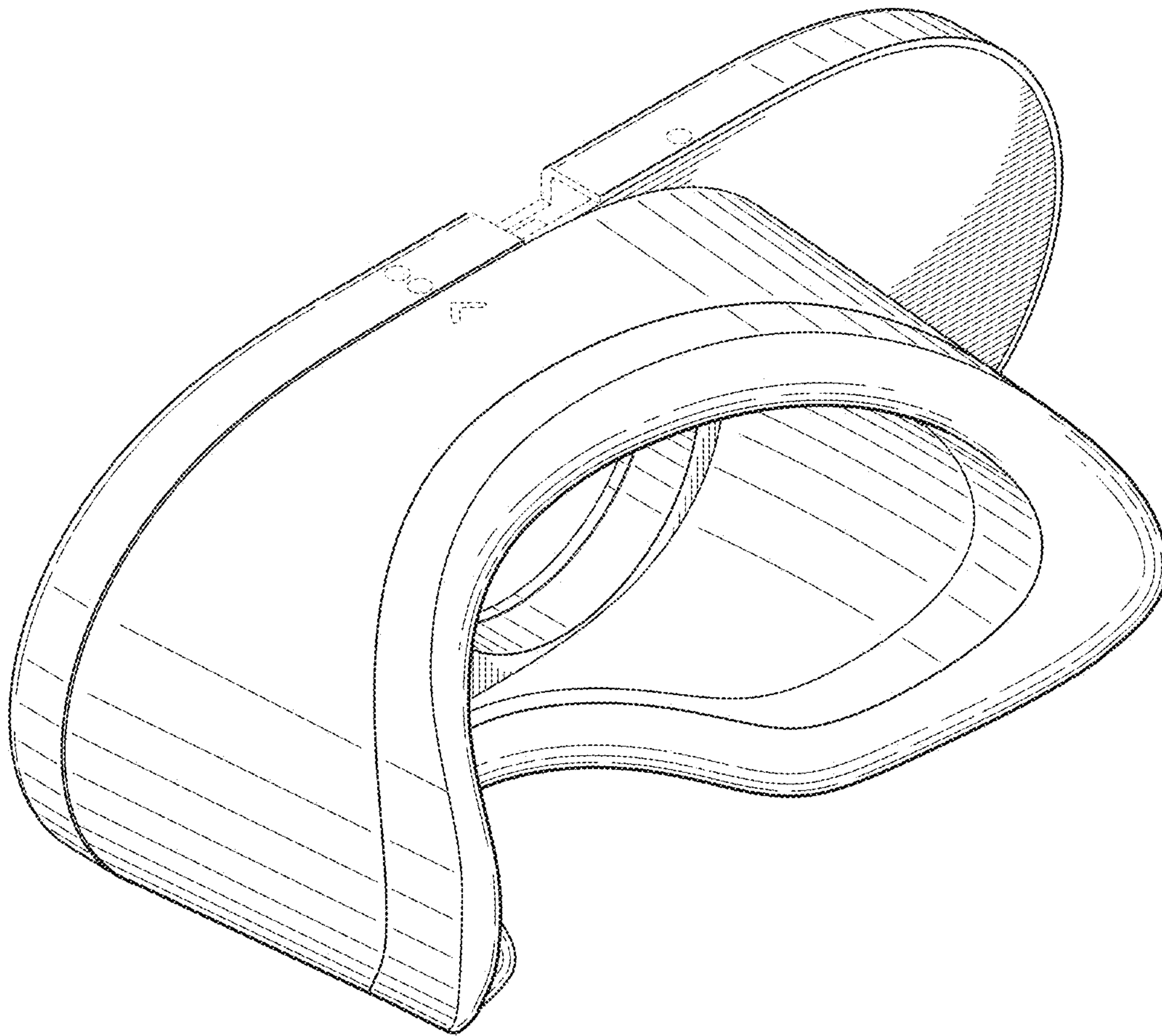


FIG. 10

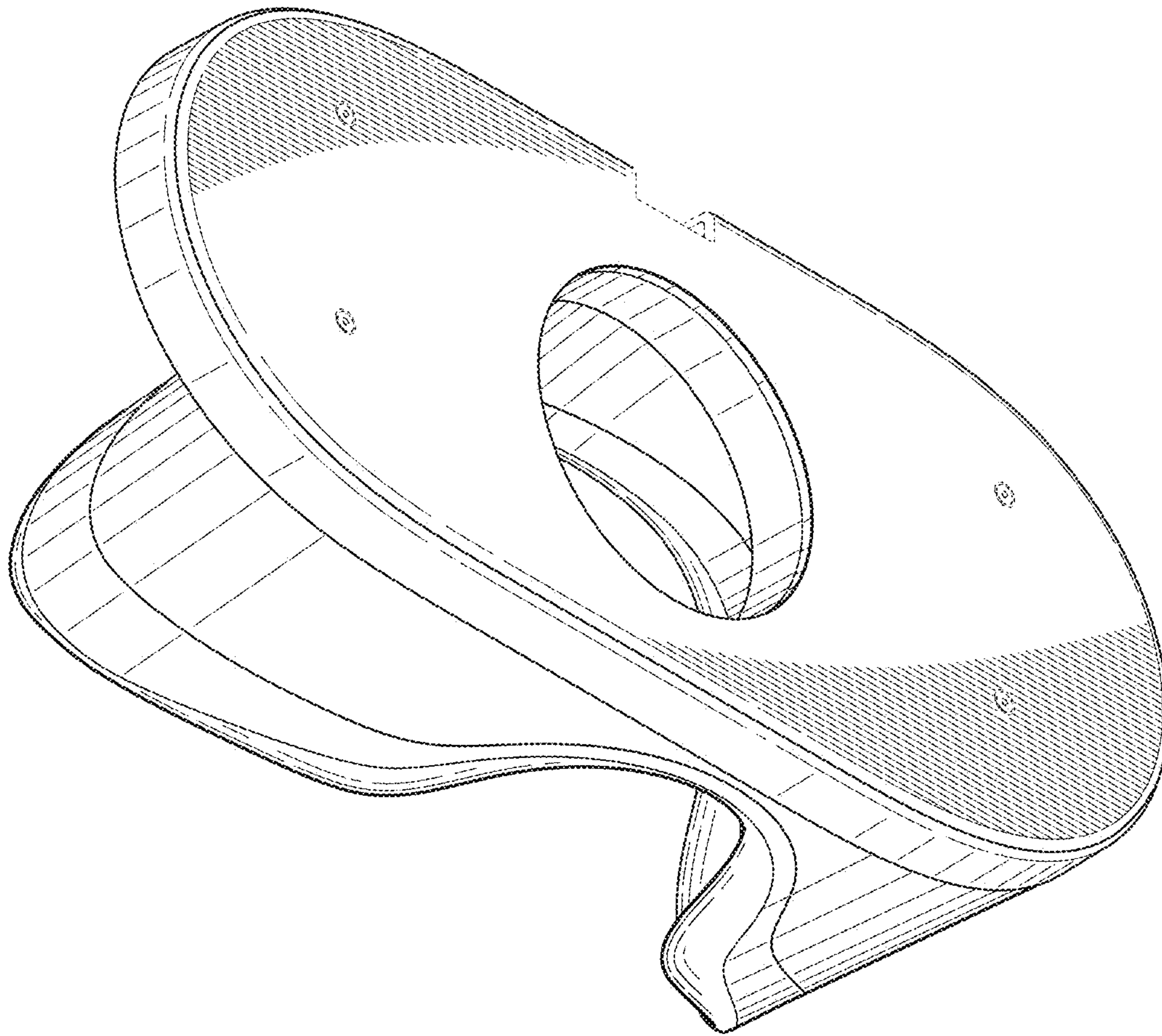


FIG. 11

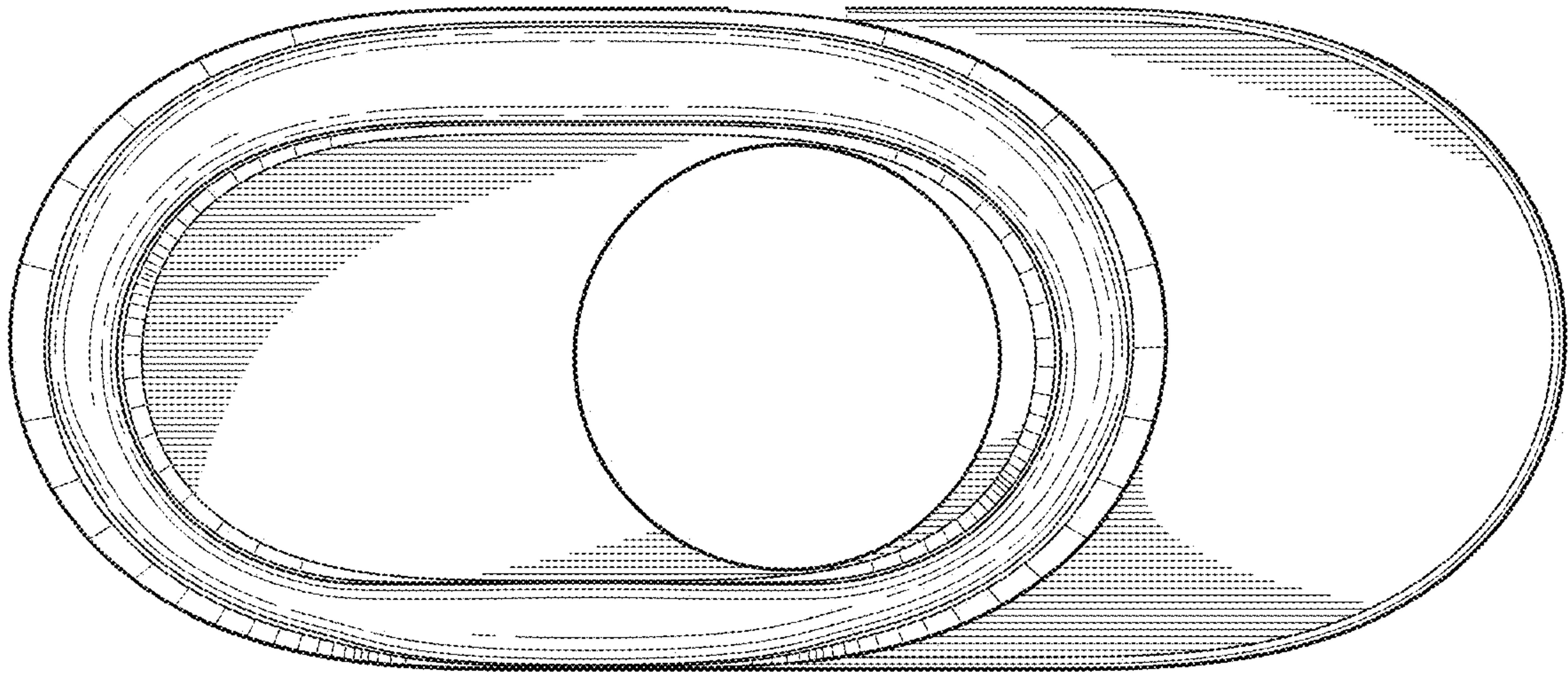


FIG. 12

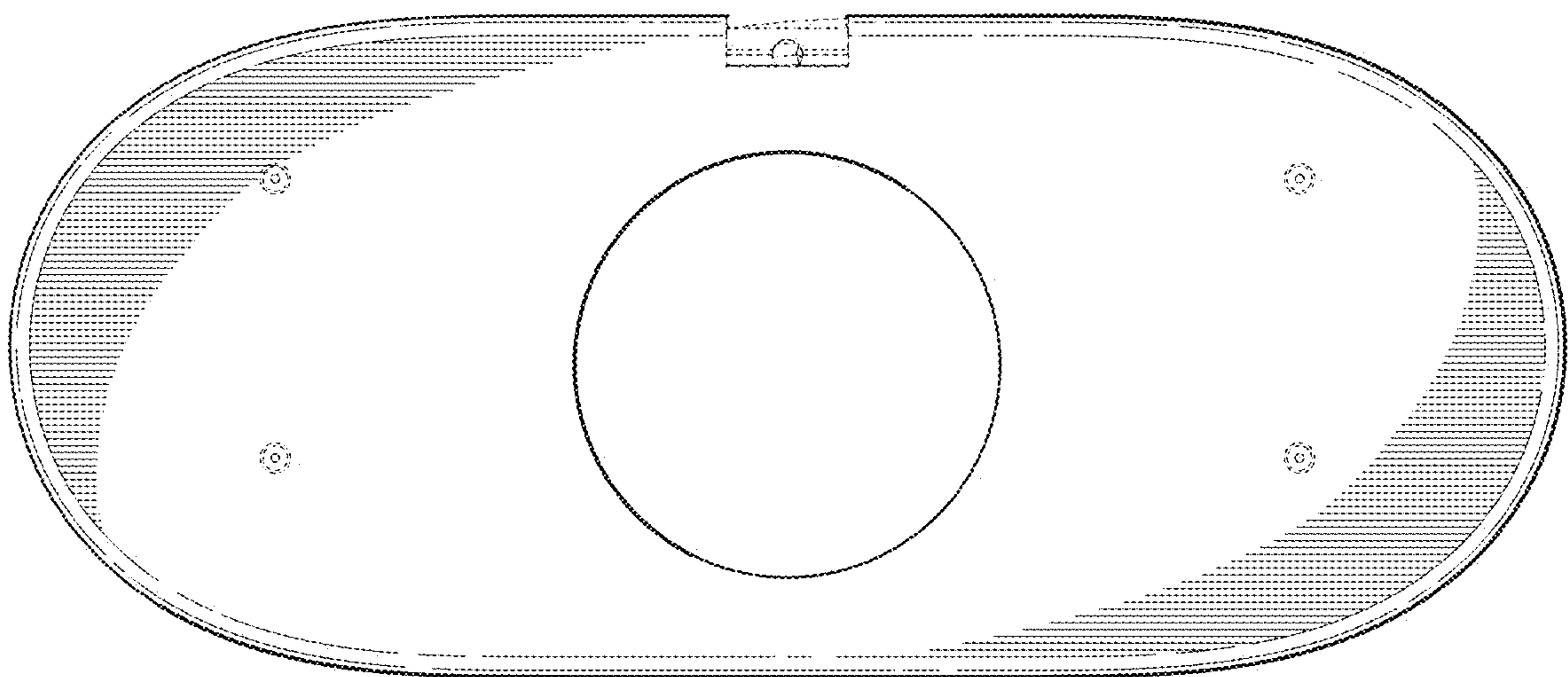


FIG. 13

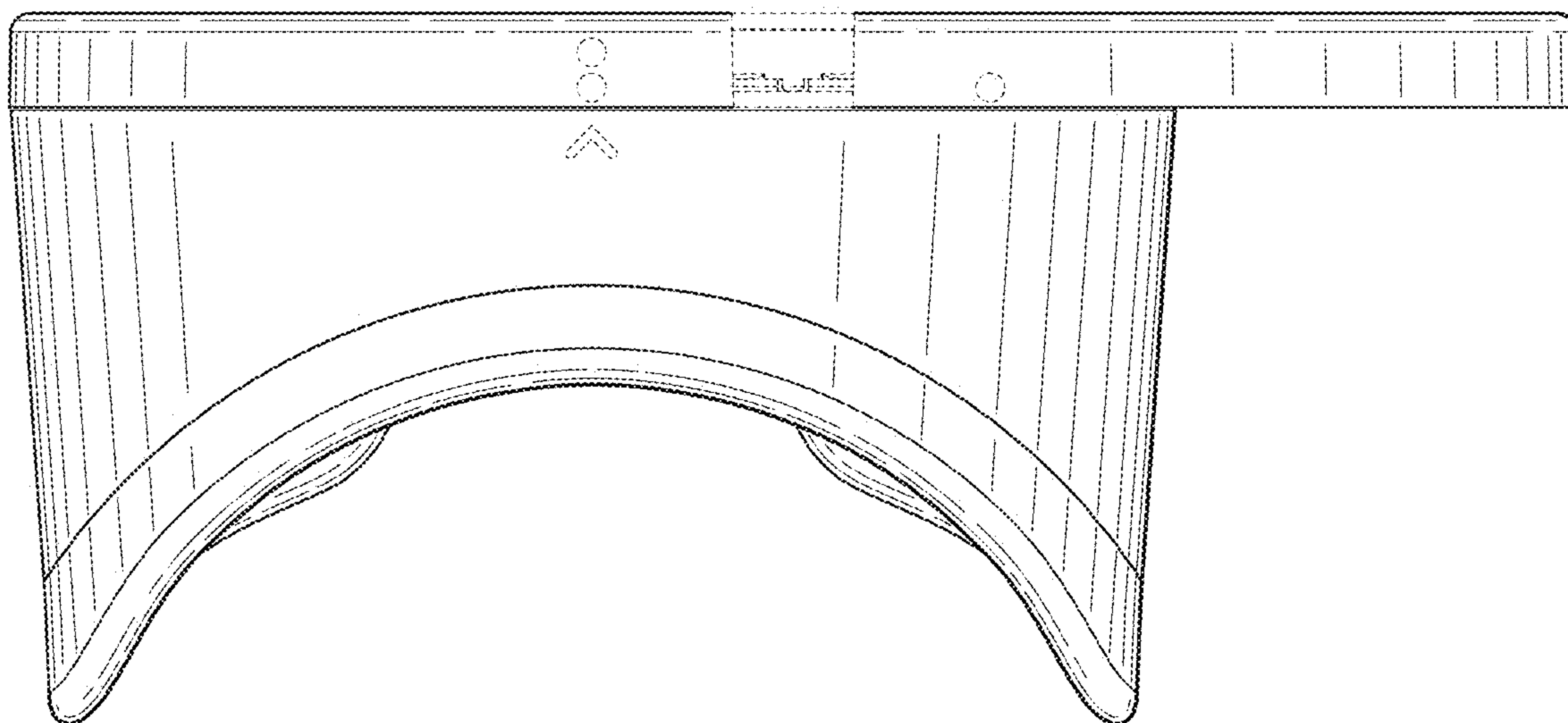


FIG. 14

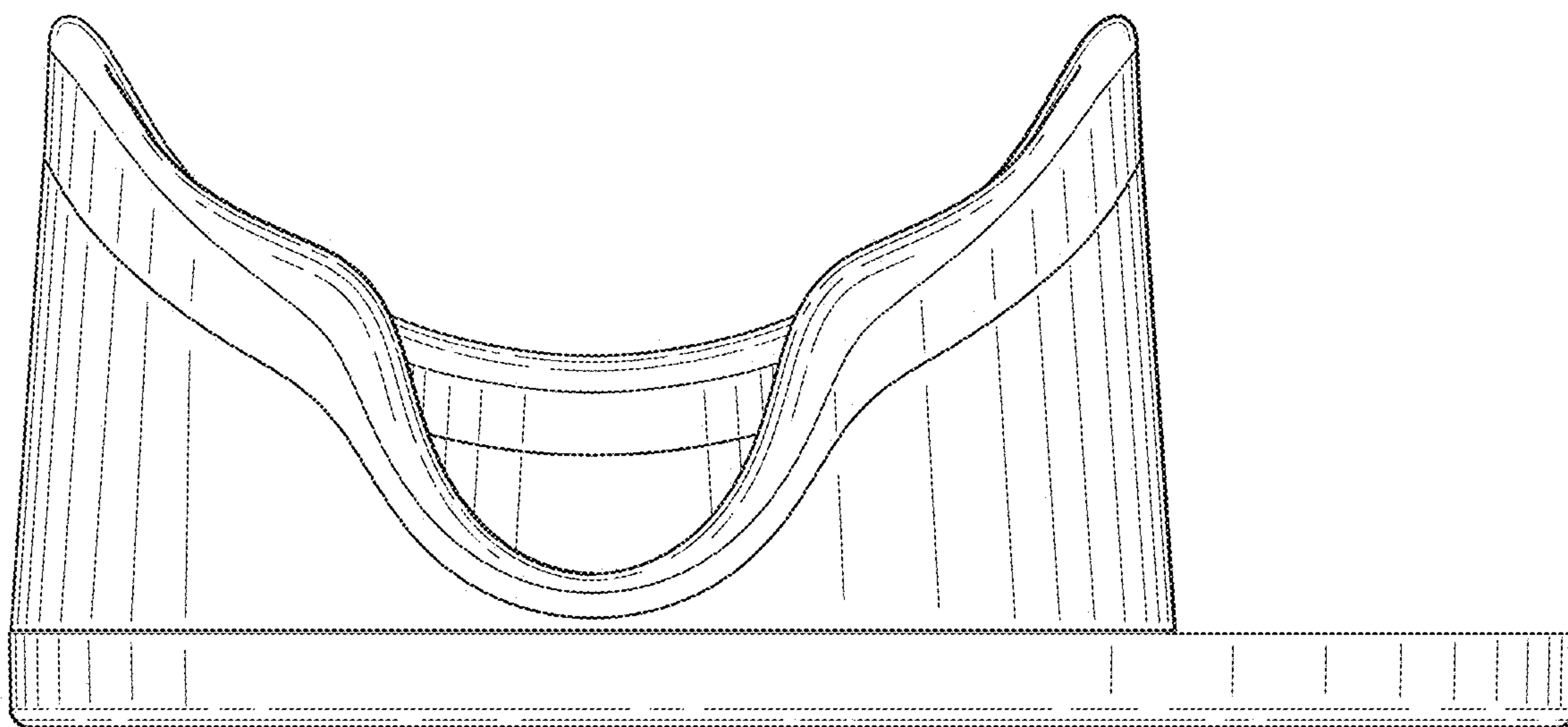


FIG. 15

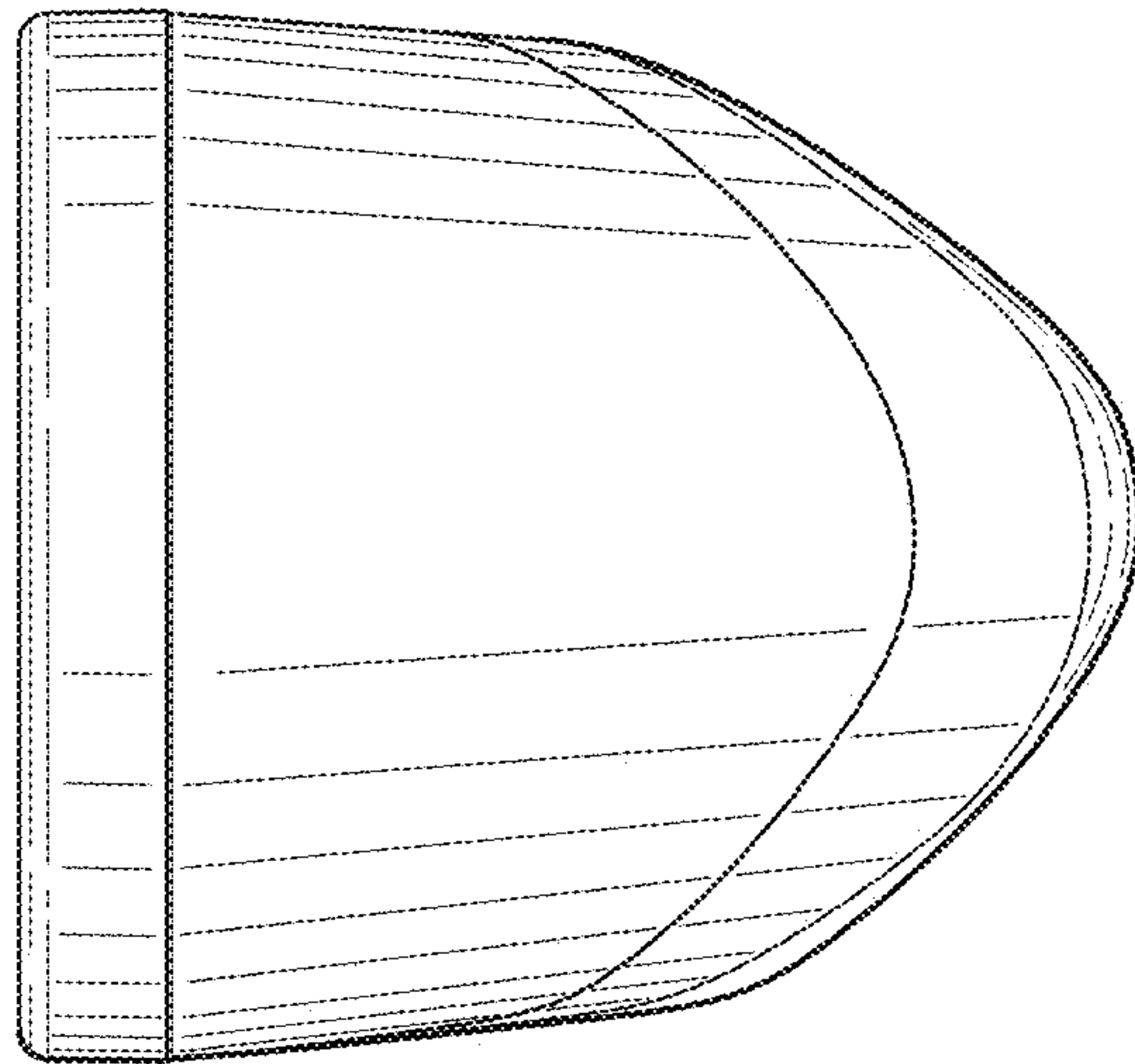


FIG. 16

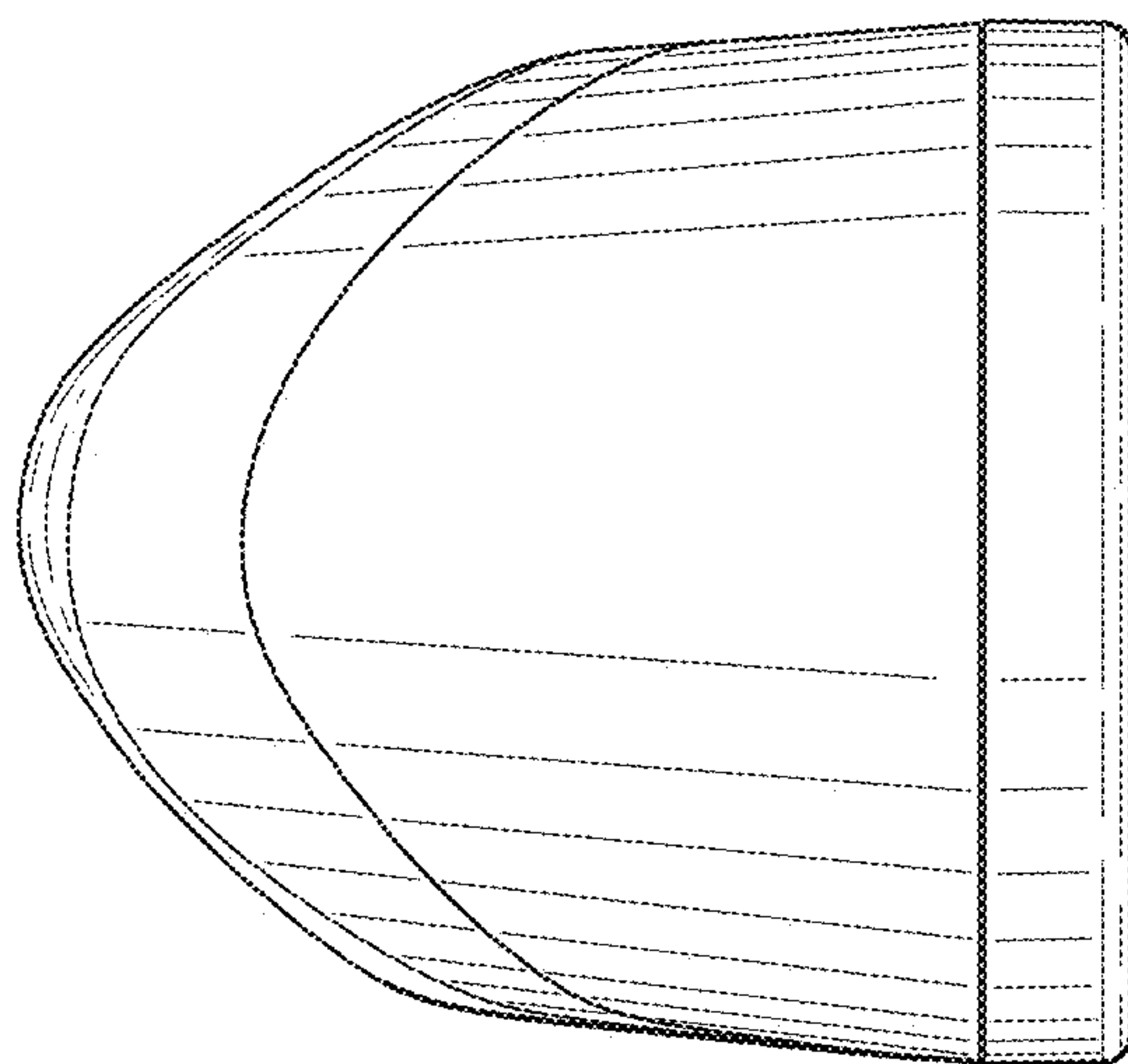


FIG. 17

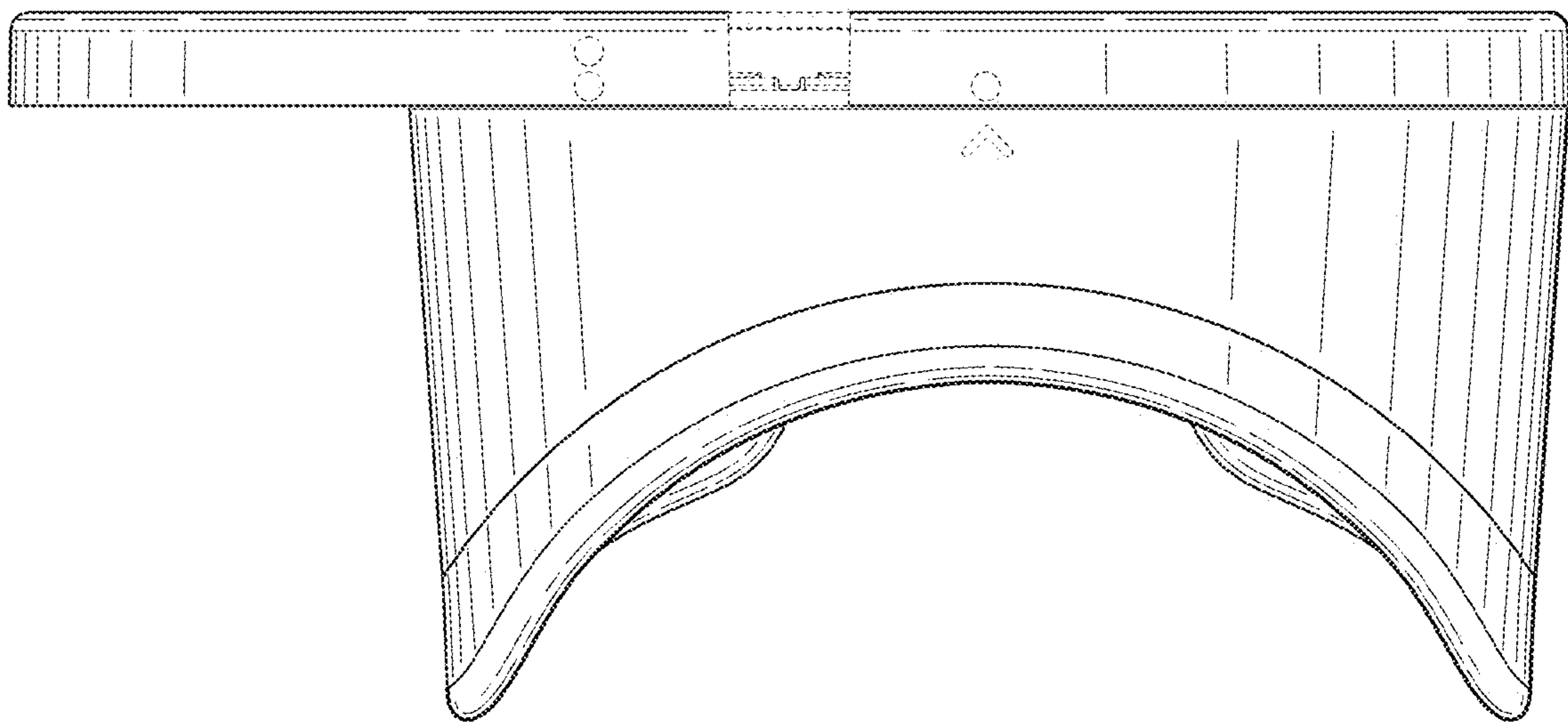


FIG. 18