



US0D1045071S

(12) **United States Design Patent** (10) **Patent No.:** **US D1,045,071 S**  
**Farmer et al.** (45) **Date of Patent:** **\*\* Oct. 1, 2024**

(54) **CRYOTHERAPY ACTIVATOR STATION**

FOREIGN PATENT DOCUMENTS

(71) Applicant: **Scholl's Wellness Company LLC**,  
Parsippany, NJ (US)

CA 169287 \* 2/2017  
CN 302932561 \* 9/2014  
EM 009090772-0001 \* 8/2022

(72) Inventors: **Edmund Farmer**, Seymour, CT (US);  
**Luke Johnson**, Shelton, CT (US);  
**Taehoon Park**, New Haven, CT (US)

OTHER PUBLICATIONS

(73) Assignee: **Scholl's Wellness Company LLC**,  
Parsippany, NJ (US)

Wart Remover Freeze, care science, [Post date: unknown], [Site seen: Nov. 28, 2023], Seen at URL: <https://www.walmart.com/ip/Care-Science-Wart-Remover-Freeze-8-Applications-1-Step-Cryogenic-Wart-Removal-for-Common-Warts-on-Hands-Elbows-Knees-or-Plantar-Warts-on-Feeet/3152320409> (Year: 2023).\*

(\*\*) Term: **15 Years**

(Continued)

(21) Appl. No.: **29/824,238**

(22) Filed: **Jan. 24, 2022**

*Primary Examiner* — Natasha Vujcic

(51) **LOC (14) Cl.** ..... **24-04**

*Assistant Examiner* — Gilbert B Ford

(52) **U.S. Cl.**  
USPC ..... **D24/121**

(74) *Attorney, Agent, or Firm* — Lowenstein Sandler LLP

(58) **Field of Classification Search**  
USPC ..... D24/121, 112–114, 108, 129, 130, 127,  
D24/133, 135, 138, 186; D8/303, 68  
CPC ..... A61B 18/0218; A61B 18/02; A61B  
2018/0231; A61B 2018/00452; A61M  
35/003; A61M 35/00; A61M 2037/0007;  
A61M 2210/04

(57) **CLAIM**

The ornamental design for a cryotherapy activator station, as shown and described.

See application file for complete search history.

**DESCRIPTION**

(56) **References Cited**

U.S. PATENT DOCUMENTS

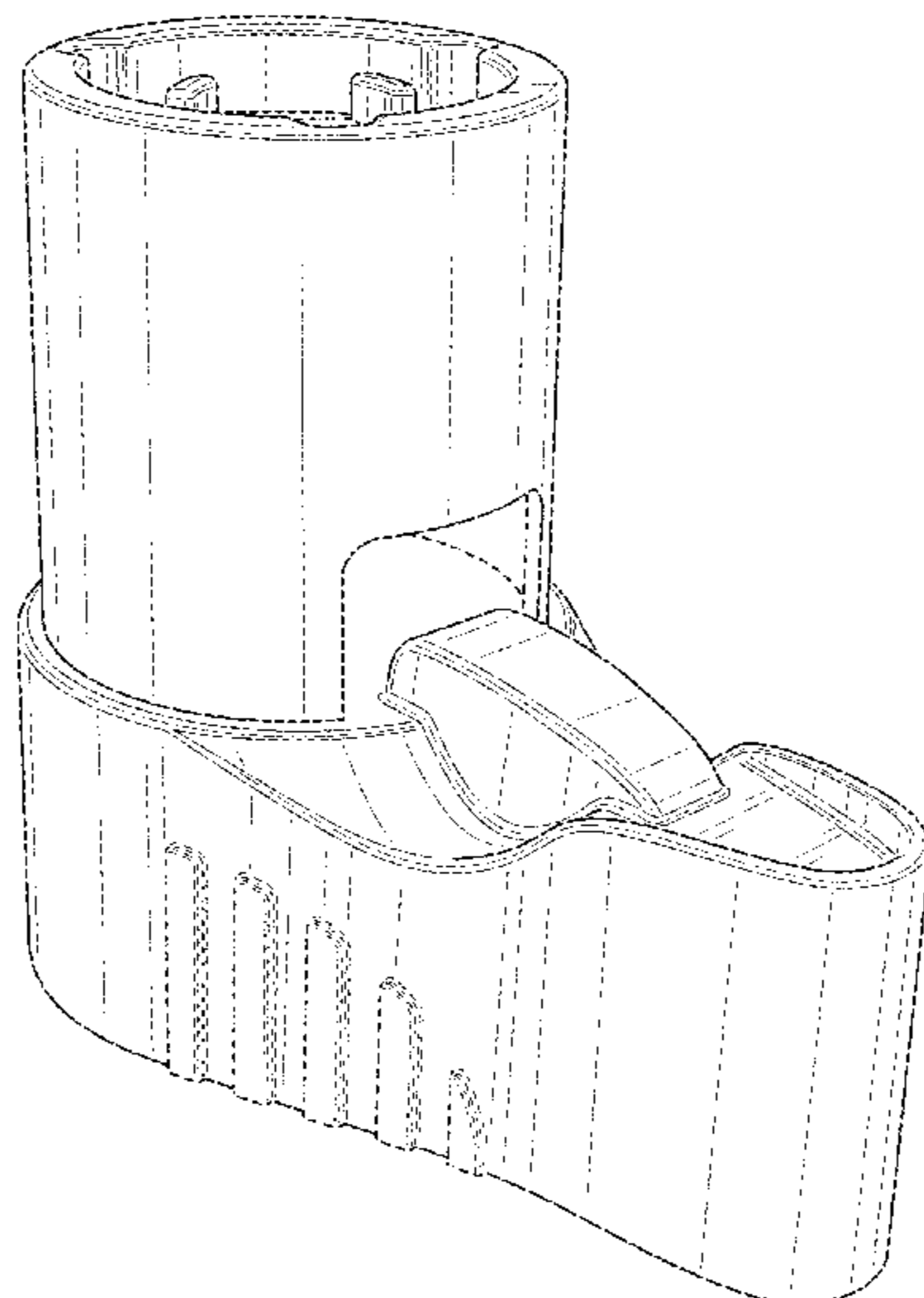
D444,365	S	*	7/2001	Bass	.....	D8/68
D458,103	S	*	6/2002	Chen	.....	D8/68
D459,643	S	*	7/2002	Morgan	.....	D8/68
D498,128	S	*	11/2004	Sterling	.....	D8/68
D529,776	S	*	10/2006	Chen	.....	D8/68
D719,424	S	*	12/2014	Okuda	.....	D8/14.1
D727,706	S	*	4/2015	Chen	.....	D8/68
D763,442	S	*	8/2016	Price	.....	D24/133
D768,848	S	*	10/2016	Cooper	.....	D24/113
D779,903	S	*	2/2017	Koeniger	.....	D8/68
D888,234	S	*	6/2020	Gavalis	.....	D24/129
D938,027	S	*	12/2021	Zhang	.....	D24/133

(Continued)

FIG. 1 is a perspective view of a cryotherapy activator station in accordance with the present invention; FIG. 2 is a front elevation view thereof; FIG. 3 is a rear elevation view thereof; FIG. 4 is a side view thereof; FIG. 5 is an opposing side view of FIG. 4; FIG. 6 is a top plan view thereof; FIG. 7 is a bottom plan view thereof; and, FIG. 8 is another perspective view thereof with a tweezer seated therein.

The portions of the cryotherapy activator station shown in broken lines form no part of the claimed design. The tweezer seated in the cryotherapy activator station, as illustrated in FIG. 8, is shown in broken lines and forms no part of the claimed design.

**1 Claim, 8 Drawing Sheets**



(56)

**References Cited**

U.S. PATENT DOCUMENTS

D990,678 S \* 6/2023 Fox ..... D24/133  
D1,004,652 S \* 11/2023 Xu ..... D8/68  
2023/0233242 A1 \* 7/2023 Farmer ..... A61B 18/02  
606/20

OTHER PUBLICATIONS

Plantar Wart Remover, Dr. Scholls, cvs.com, [Post date: unknown],  
[Site seen Nov. 28, 2023], Seen at URL: <https://www.cvs.com/shop/dr-scholl-s-freeze-away-max-plantar-wart-remover-10-ct-prodid-604877?skuId=604877&cgaa=QWxsb3dHb29nbGVUb0FjY%E2%80%A6> (Year: 2023).\*

\* cited by examiner

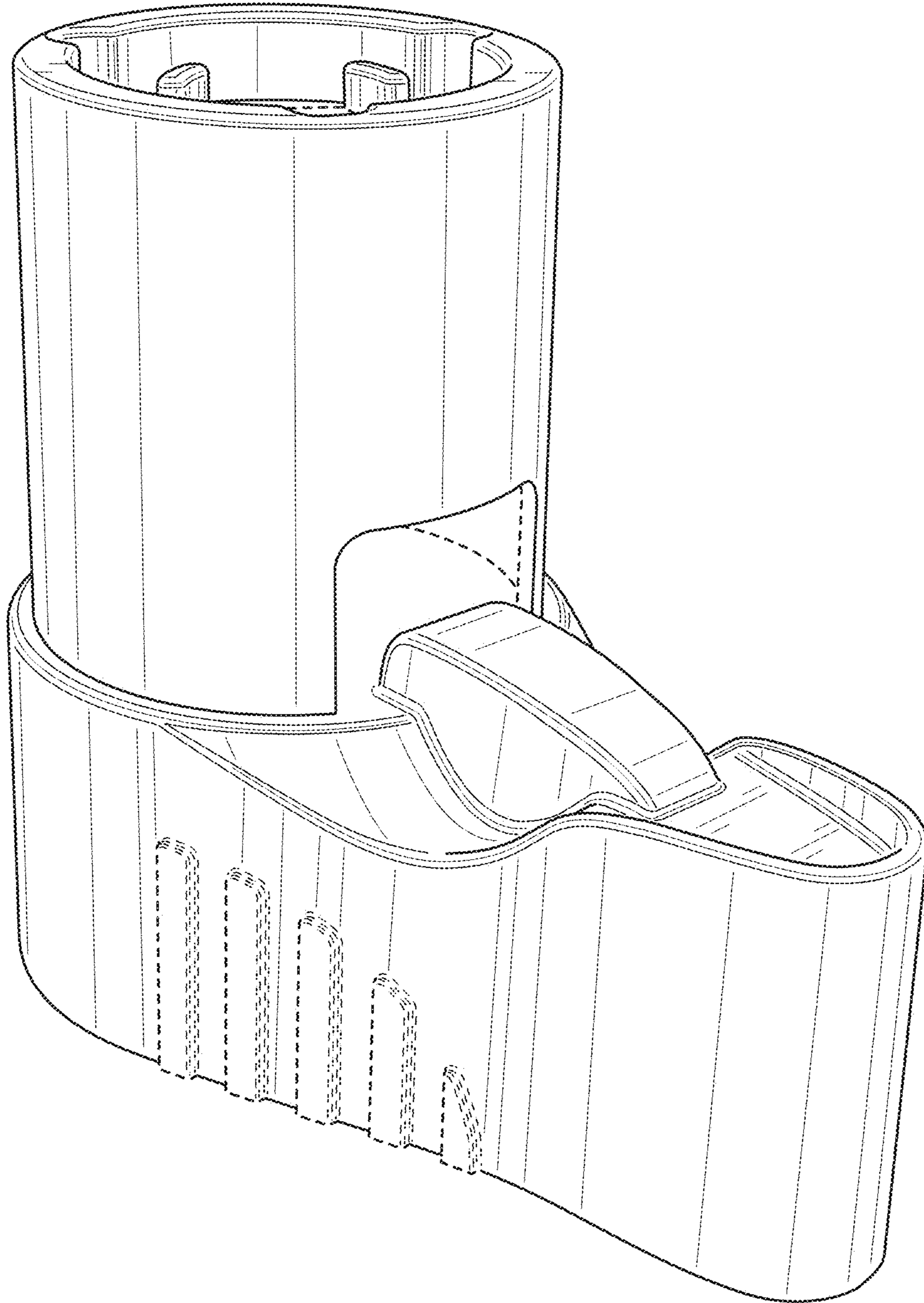


FIG. 1

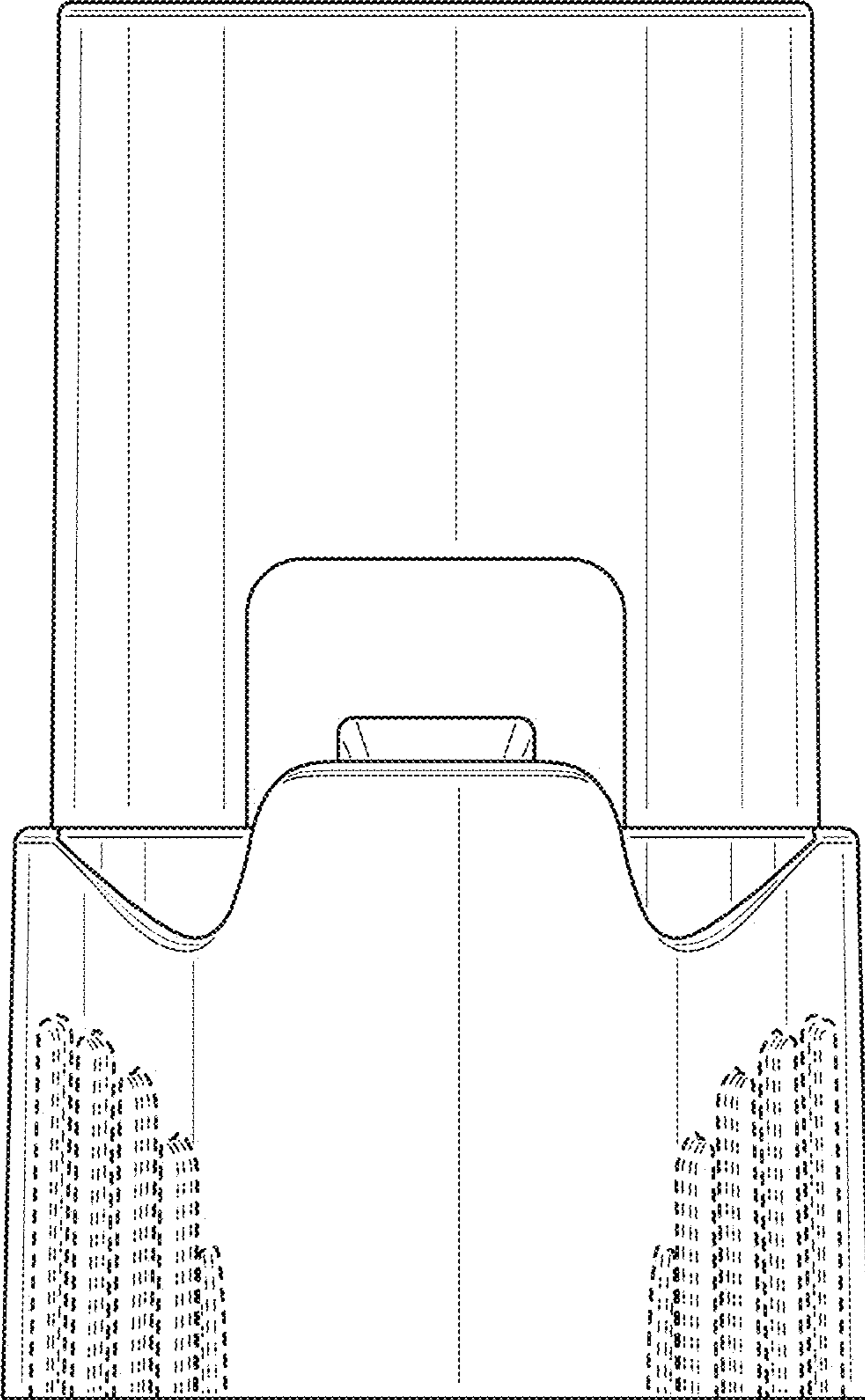


FIG. 2

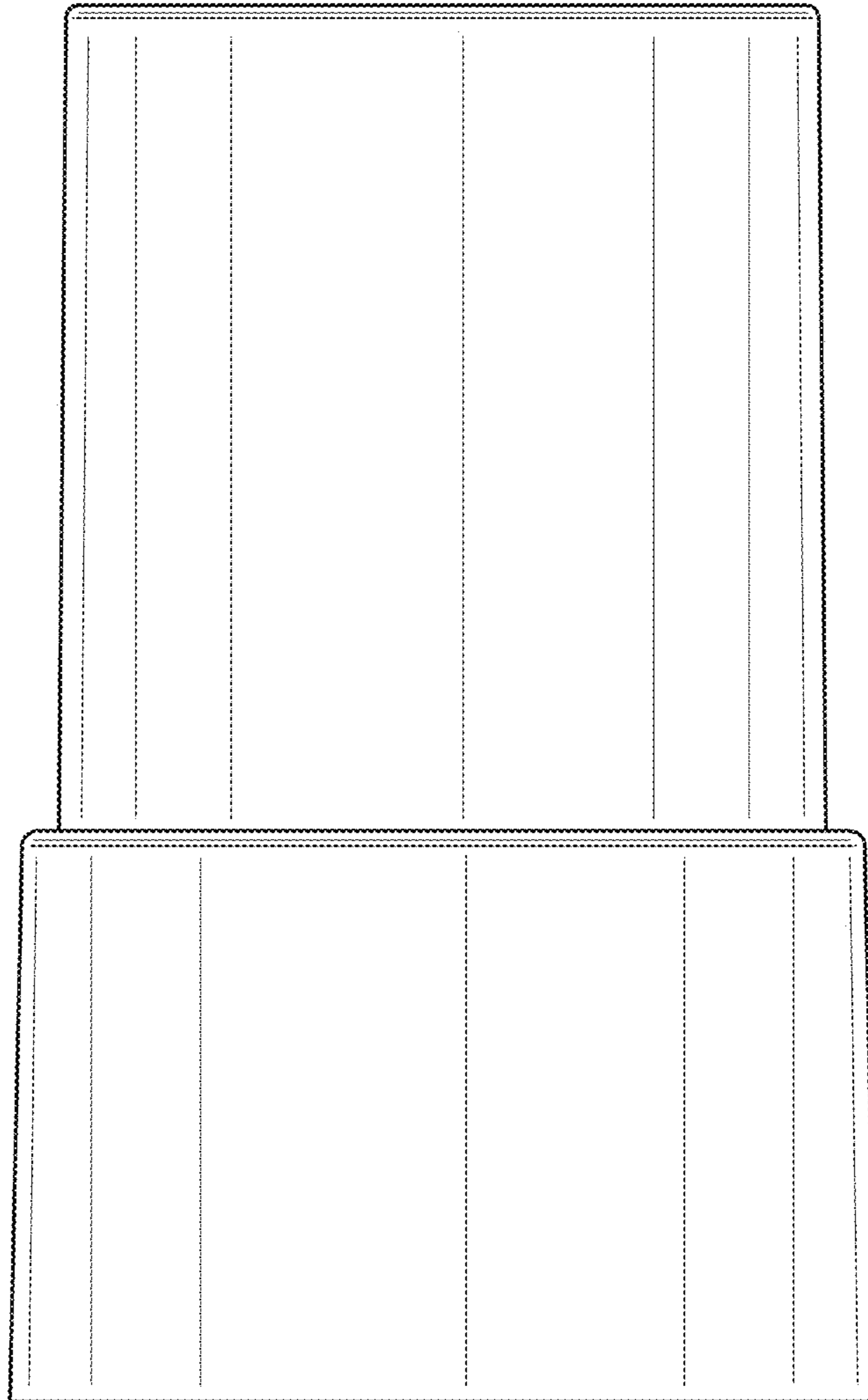


FIG. 3

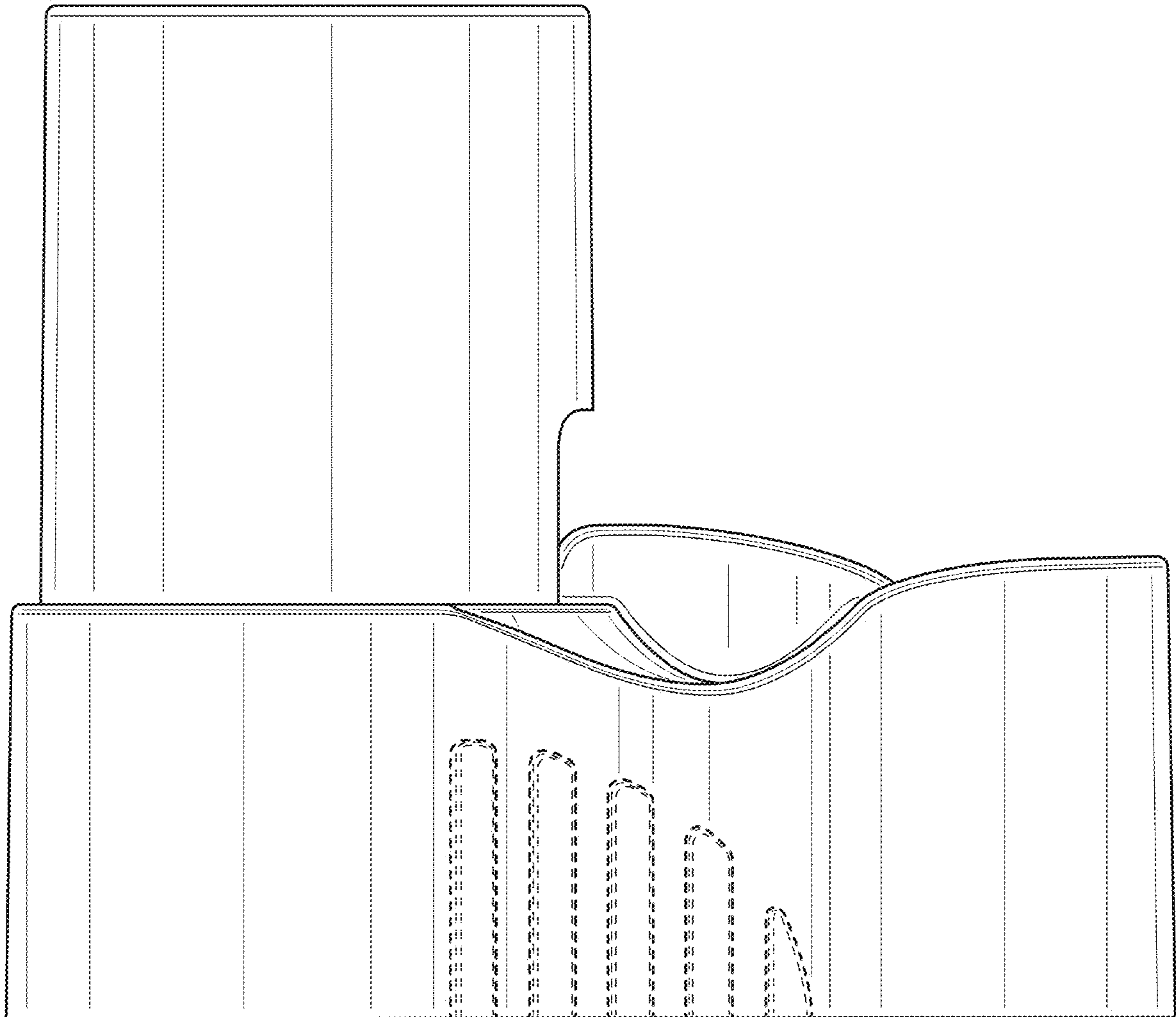


FIG. 4

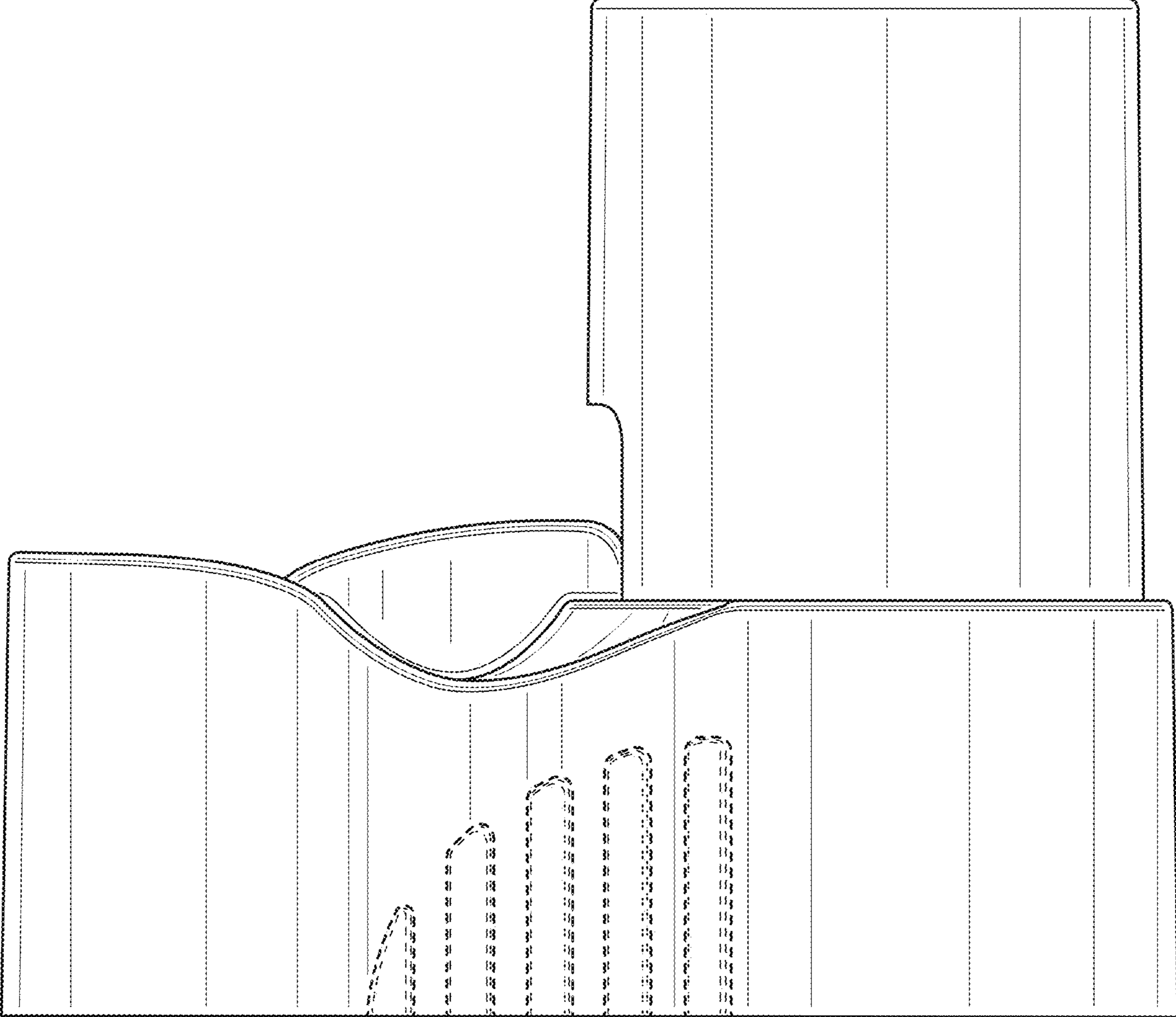


FIG. 5

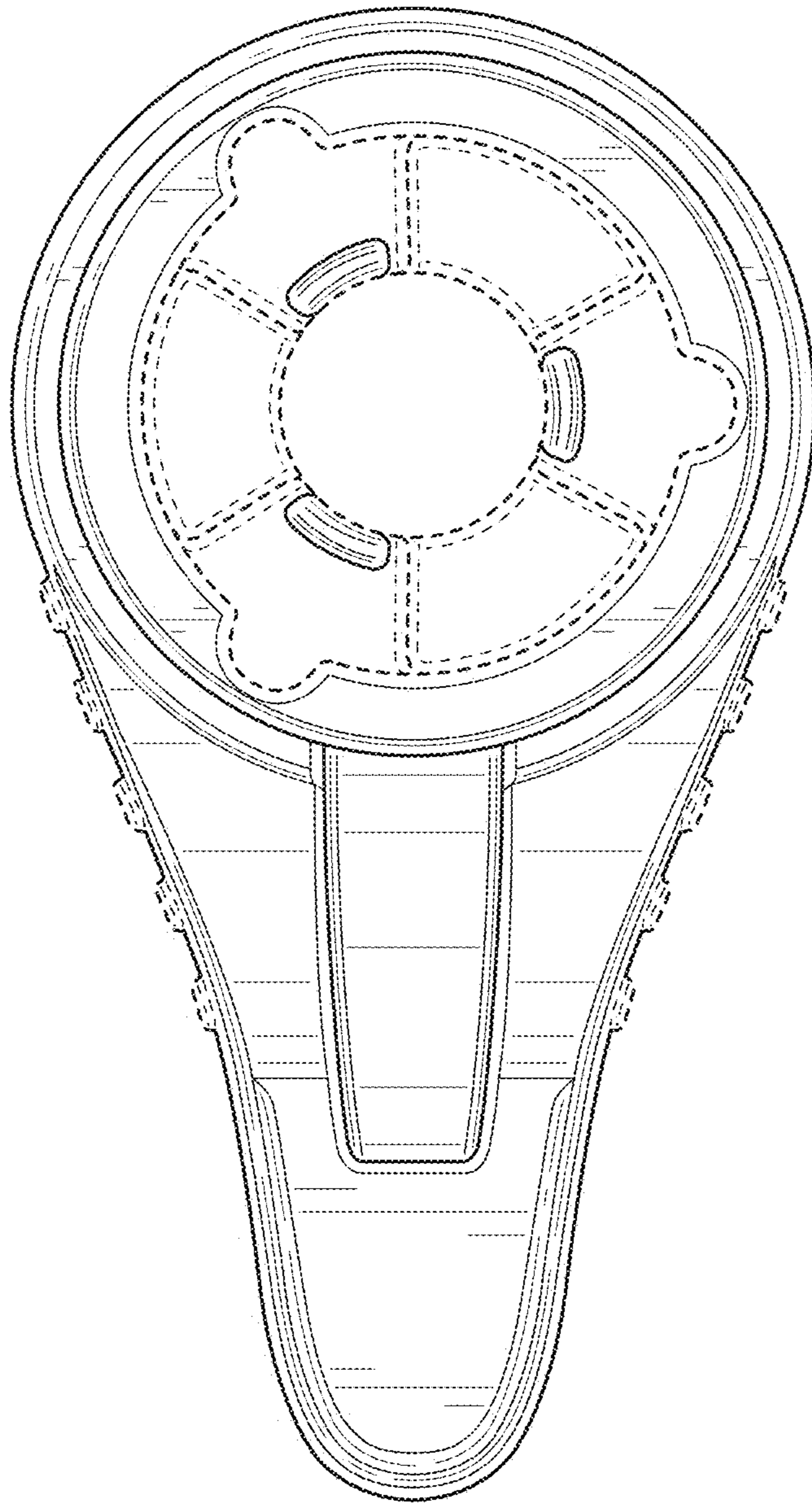


FIG. 6



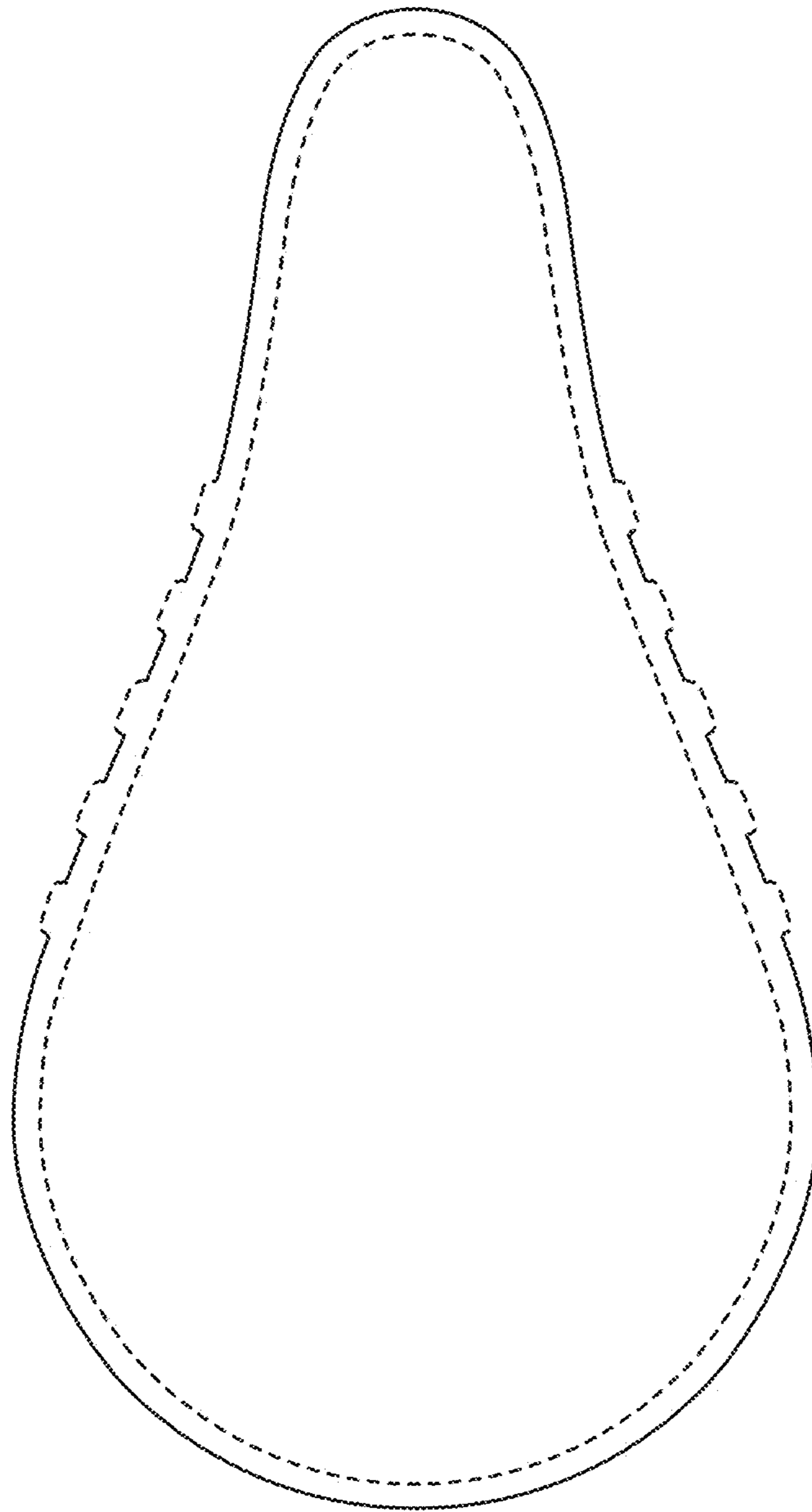


FIG. 7

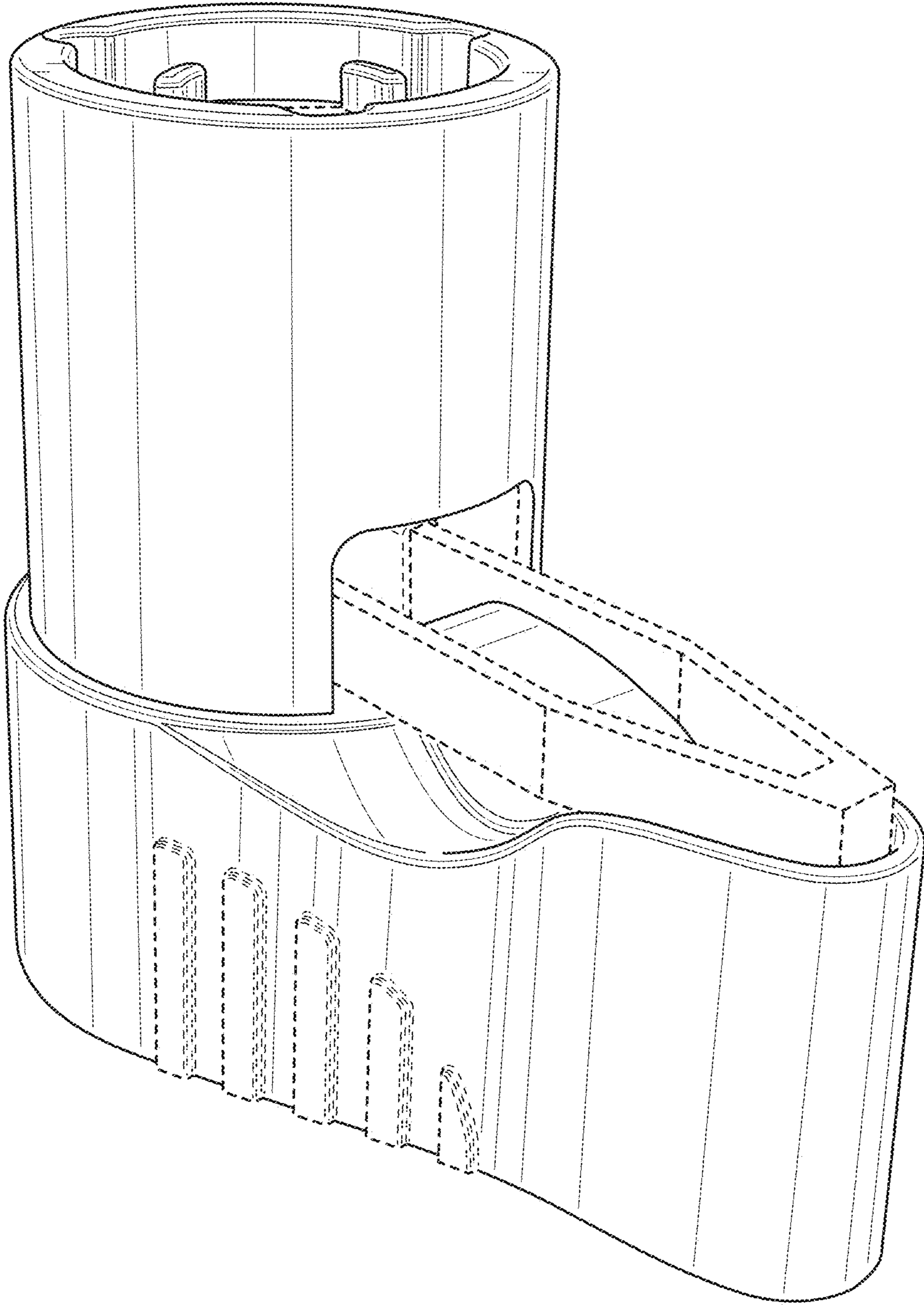


FIG. 8