



US0D1045043S

(12) **United States Design Patent** (10) **Patent No.:** **US D1,045,043 S**  
**Zhang et al.** (45) **Date of Patent:** **\*\* Oct. 1, 2024**

(54) **ROCKET STOVE**

(71) Applicant: **Huizhou Haorui Hardware Technology Co., Ltd**, Huizhou (CN)  
(72) Inventors: **Yong Zhang**, Huizhou (CN); **Chaosen Wang**, Huizhou (CN)  
(\*\*) Term: **15 Years**  
(21) Appl. No.: **29/880,465**  
(22) Filed: **Jul. 24, 2023**

OTHER PUBLICATIONS

BiggerFire Rocket Stove Portable Folding Wood Burning Camping Stove for Outdoor Cooking, Picnic, BBQ, Hunting, Fishing, Cast Steel Pocket Rocket Stove with Carrying Bag; Date First Available: Aug. 1, 2022; <https://www.amazon.com/BiggerFire-Portable-Folding-Cast-Steel-Carrying/dp/B0B87YDK8G> (Year: 2022).\*

(Continued)

*Primary Examiner* — George J Ulsh  
*Assistant Examiner* — Andrea Marie McKay

**Related U.S. Application Data**

(62) Division of application No. 35/515,801, filed on Aug. 19, 2022 (U.S. filing date under 35 U.S.C. 384), and having an international filing date of Aug. 19, 2022, now Pat. No. Des. 1,003,098.

(51) **LOC (14) Cl.** ..... **23-05**

(52) **U.S. Cl.**  
USPC ..... **D23/343**

(58) **Field of Classification Search**  
USPC ..... D7/323, 332–334, 337–339, 341, 346, D7/402, 408, 409; D23/343  
CPC .... F24B 1/00; F24B 1/003; F24B 1/02; F24B 1/18; F24B 1/181; F24B 1/193; F24B 1/192; F24B 1/195; F54B 1/182  
See application file for complete search history.

(56) **References Cited**

**U.S. PATENT DOCUMENTS**

D938,003 S	*	12/2021	Ming	.....	D23/343
D942,203 S	*	2/2022	Jiang	.....	D7/339
D942,796 S	*	2/2022	Jiang	.....	D7/339
D944,584 S	*	3/2022	Jiang	.....	D23/343
D950,297 S	*	5/2022	Jiang	.....	D7/337
D950,298 S	*	5/2022	Yang	.....	D7/339
D952,391 S	*	5/2022	Yang	.....	D7/339
D968,868 S	*	11/2022	Xia	.....	D23/343
D980,664 S	*	3/2023	Huang	.....	D23/343

(Continued)

(57) **CLAIM**

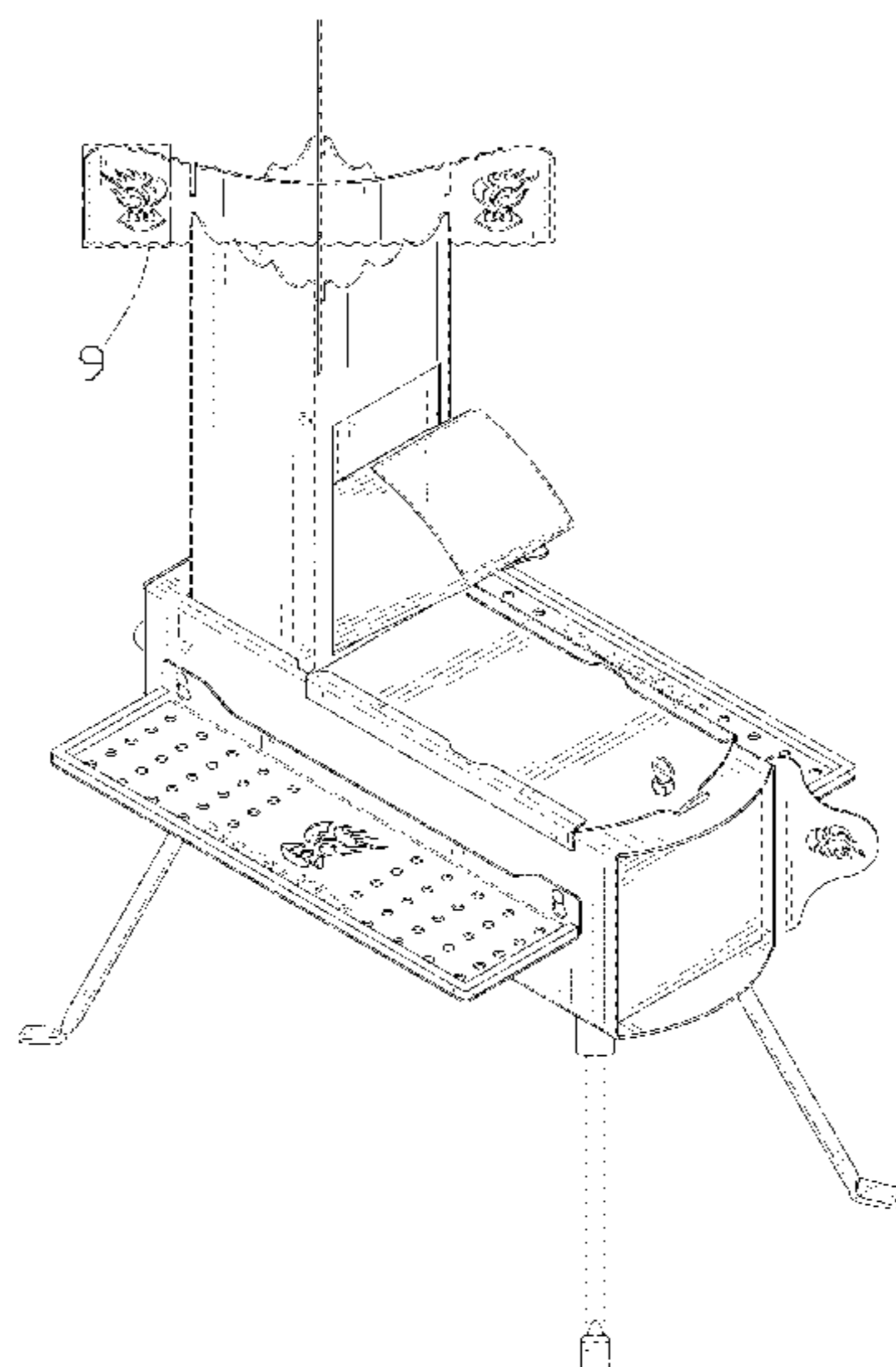
The ornamental design for a rocket stove, as shown and described.

**DESCRIPTION**

FIG. 1 is a front, top perspective view of a rocket stove, showing our new design;  
FIG. 2 is a rear, bottom perspective view thereof;  
FIG. 3 is a front elevation view thereof;  
FIG. 4 is a rear elevation view thereof;  
FIG. 5 is a left side elevation view thereof;  
FIG. 6 is a right side elevation view thereof;  
FIG. 7 is a top plan view thereof;  
FIG. 8 is a bottom plan view thereof;  
FIG. 9 is an enlarged view of detail “9” identified in FIG. 1;  
FIG. 10 is an enlarged view of detail “10” identified in FIG. 2; and,  
FIG. 11 is an enlarged view of detail “11” identified in FIG. 2.

The dashed lines in the figures illustrate portions of the rocket stove that form no part of the claimed design. The dash dot dash lines in FIGS. 1, 2, 9, 10 and 11 are for the purpose of illustrating the enlarged view indicators and form no part of the claimed design.

**1 Claim, 11 Drawing Sheets**



(56)

**References Cited**

U.S. PATENT DOCUMENTS

D981,779 S \* 3/2023 Huang ..... D23/343  
D997,322 S \* 8/2023 Yang ..... D23/343  
D997,624 S \* 9/2023 Fan ..... D7/332  
D1,017,009 S \* 3/2024 Zhang ..... D23/343  
D1,022,575 S \* 4/2024 Wang ..... D7/332  
2020/0378606 A1 \* 12/2020 Lin ..... F23B 80/04  
2022/0160166 A1 \* 5/2022 Zhang ..... F24B 1/028

OTHER PUBLICATIONS

Homegroove Rocket Stove for Cooking Outdoor Camping, Portable Wood Burning Stove with Free Carrying Bag, Folding Camp Fire Tower with Large Fuel Chamber Floating Shelf for BBQ, Hunting, Fishing; Date First Available: Aug. 8, 2023; <https://www.amazon.com/Homegroove-Cooking-Portable-Carrying-Floating> (Year: 2023).\*

High Efficiency Collapsible Portable Durable Carbon Steel Wood Burning Rocket Stove with Handle; <https://hzhaorui.en.made-in-china.com/productimage/vJzYLPRCCOhM-2f1j00ceukVOflkJbj/> China-High-Efficiency-Collapsible-Portable-Durable-Carbon-Steel-Wood-Burning-Rocket-Stovel site visited Jan. 12, 2024 (Year: 2024).\*

\* cited by examiner

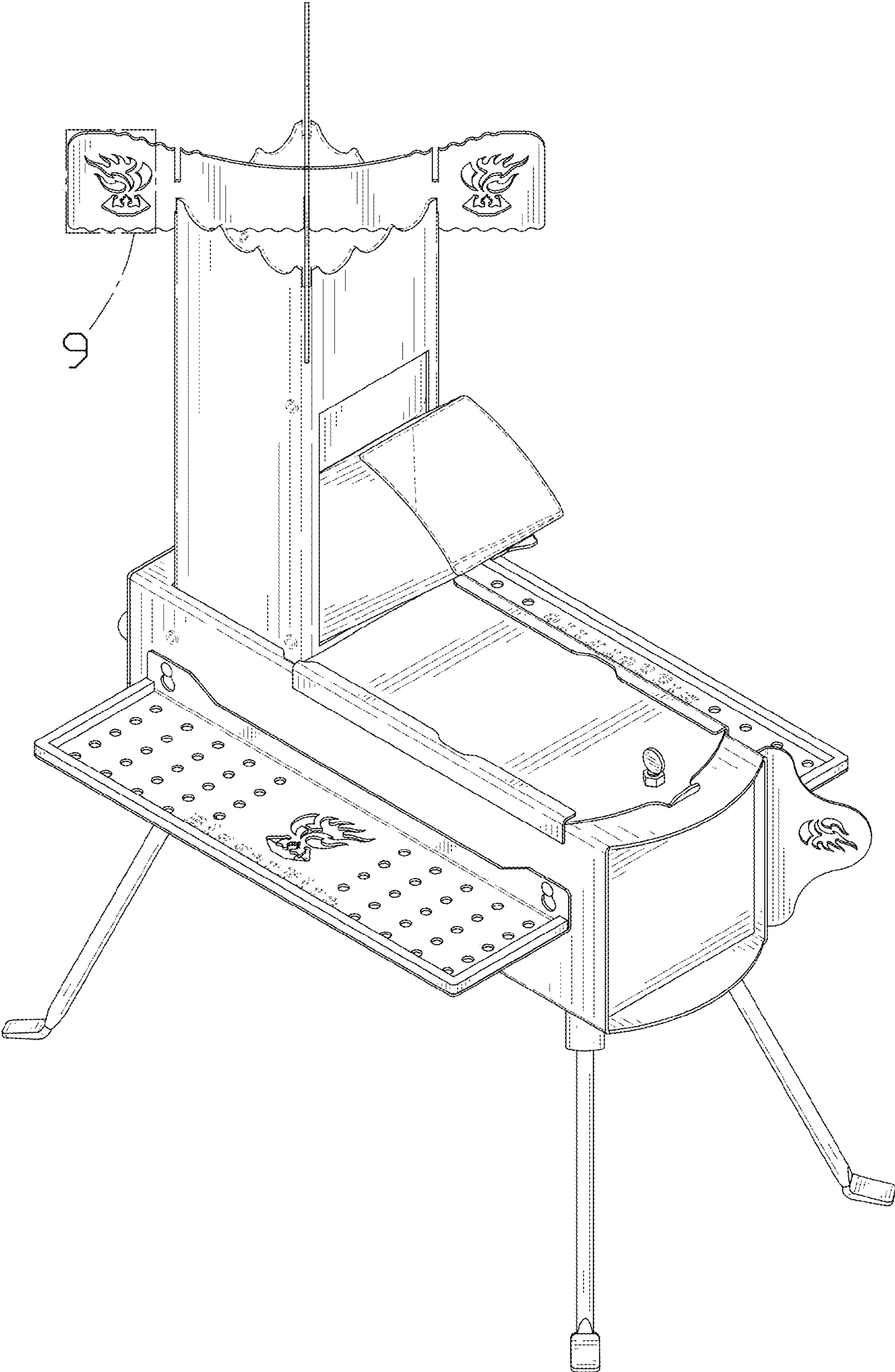


FIG. 1

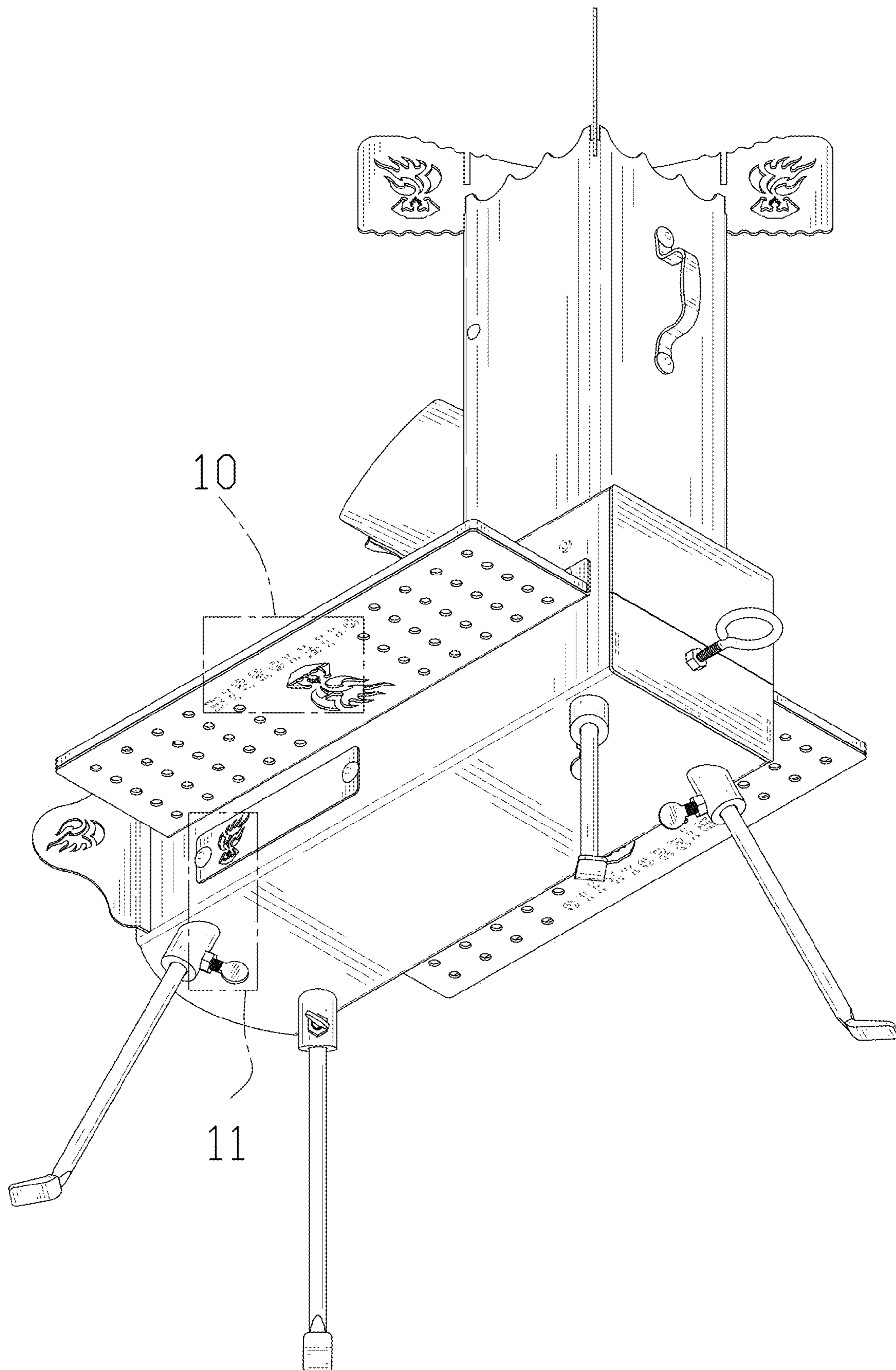


FIG. 2

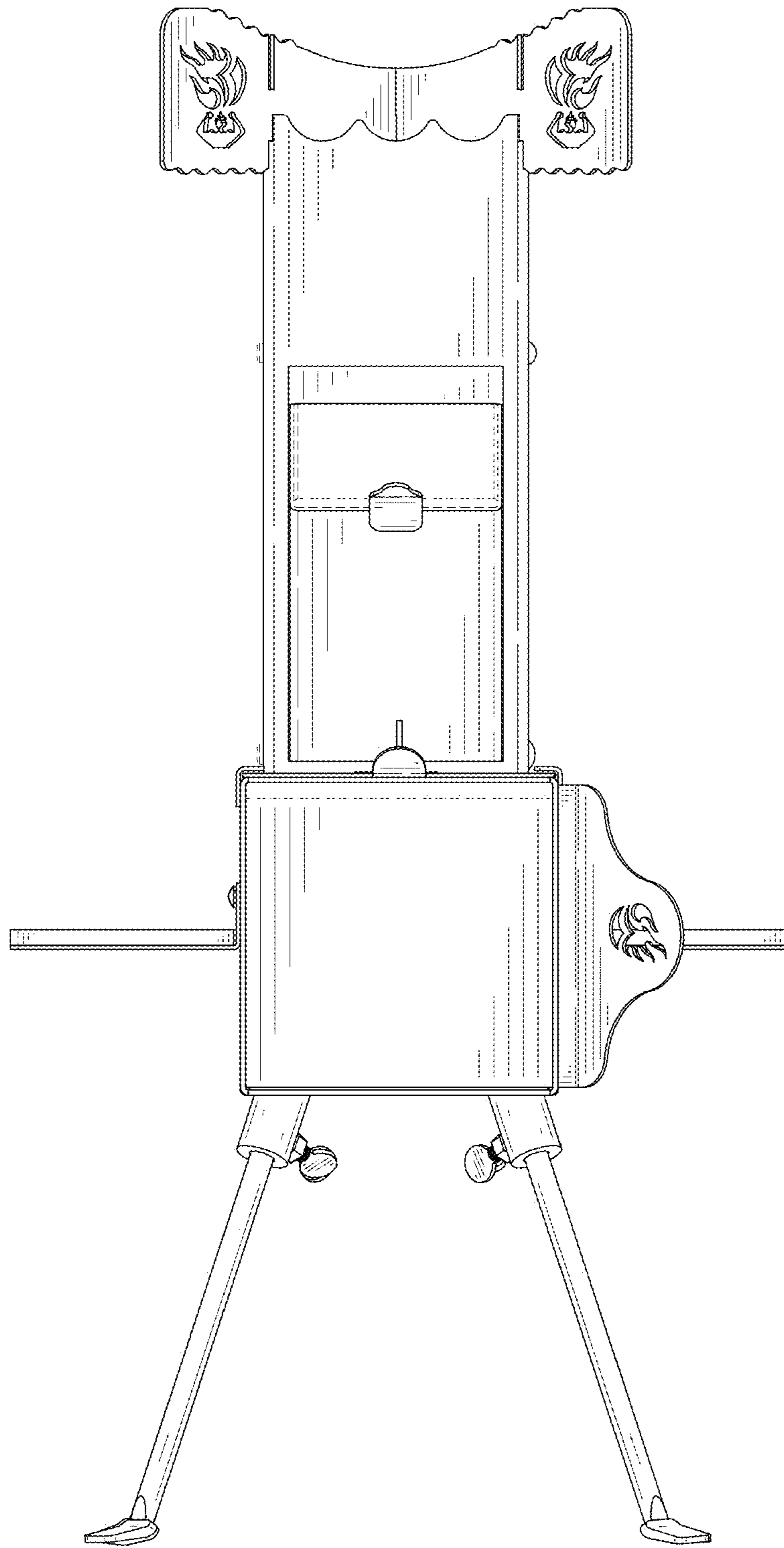


FIG. 3

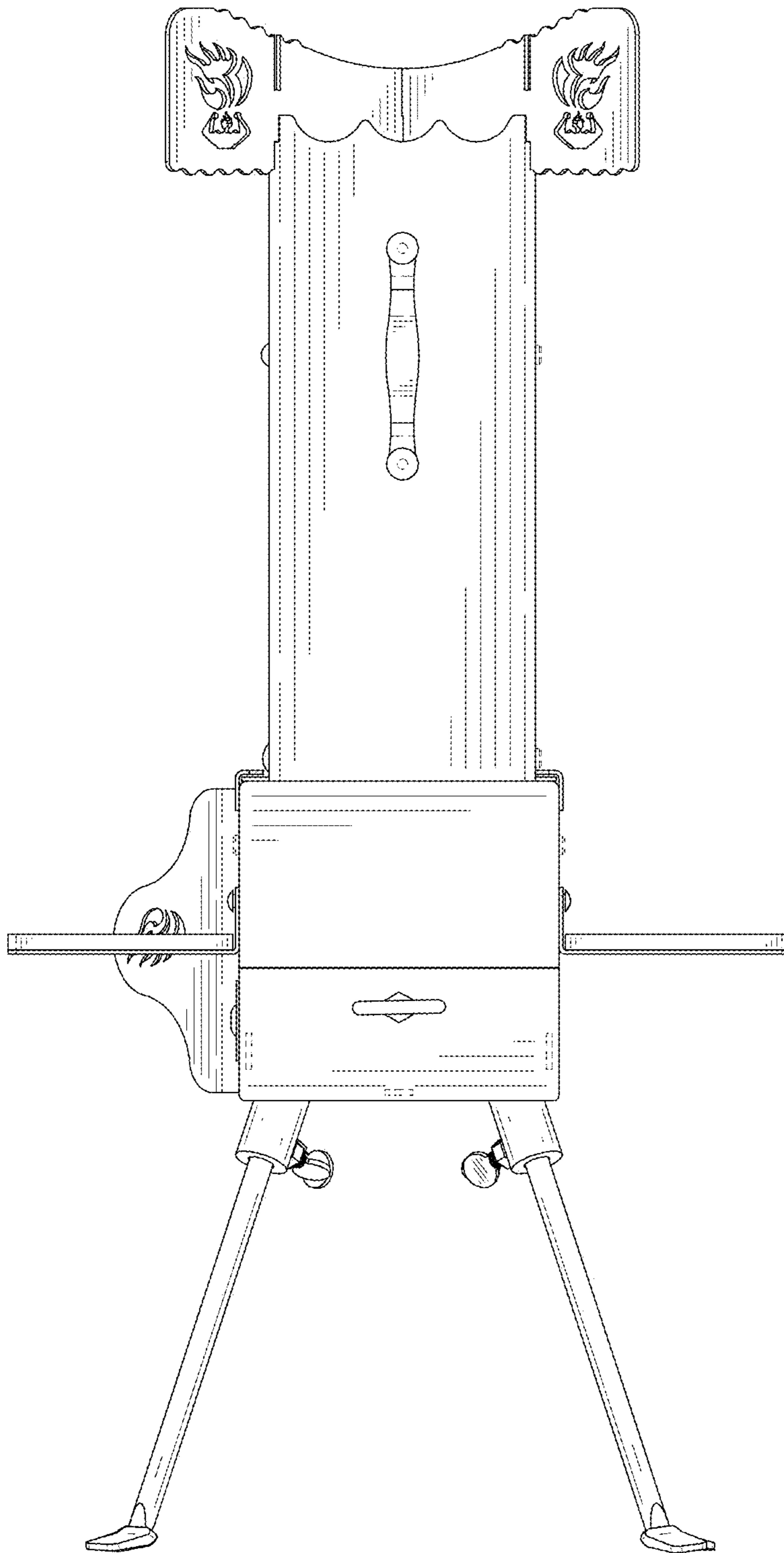


FIG. 4

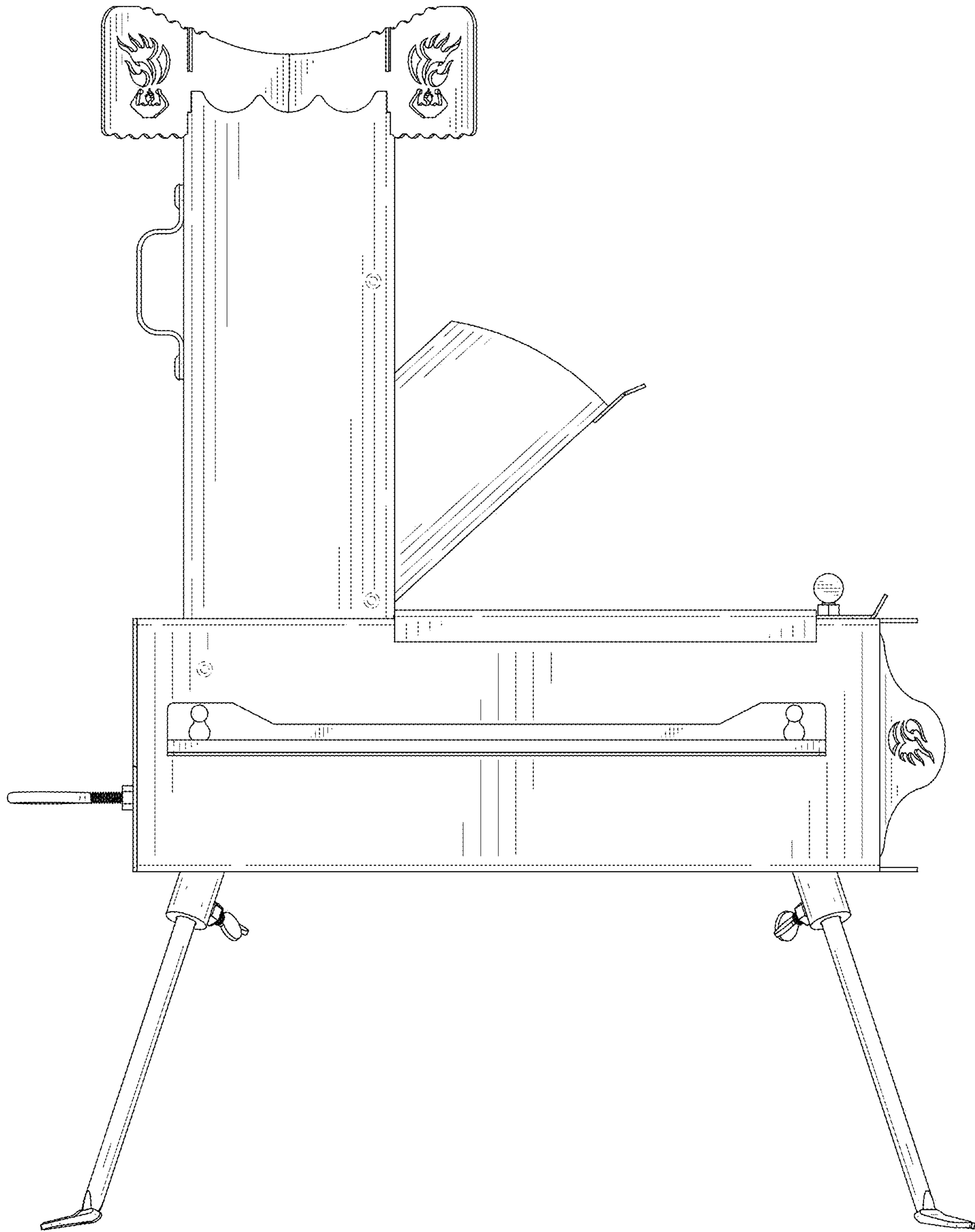


FIG. 5

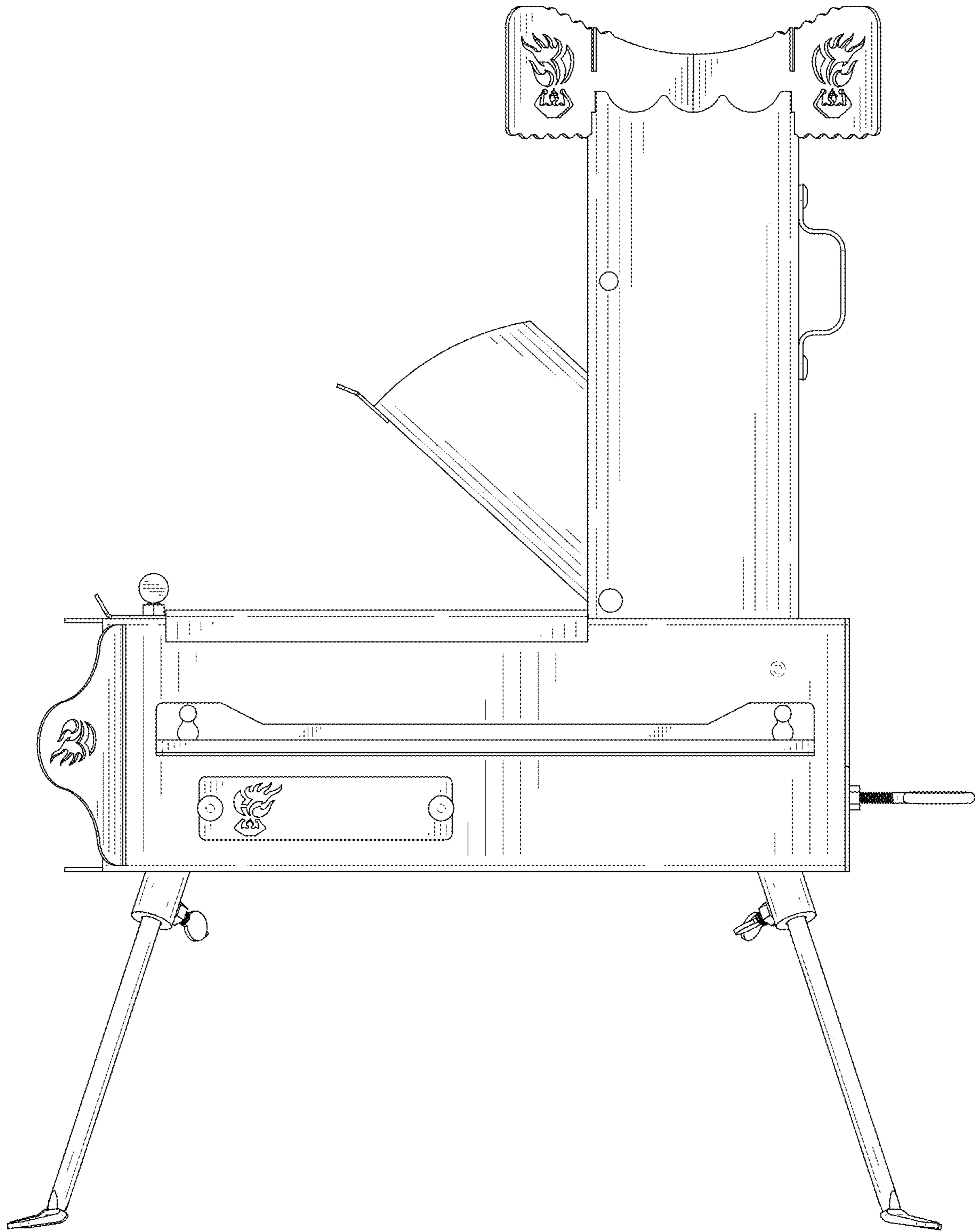


FIG. 6



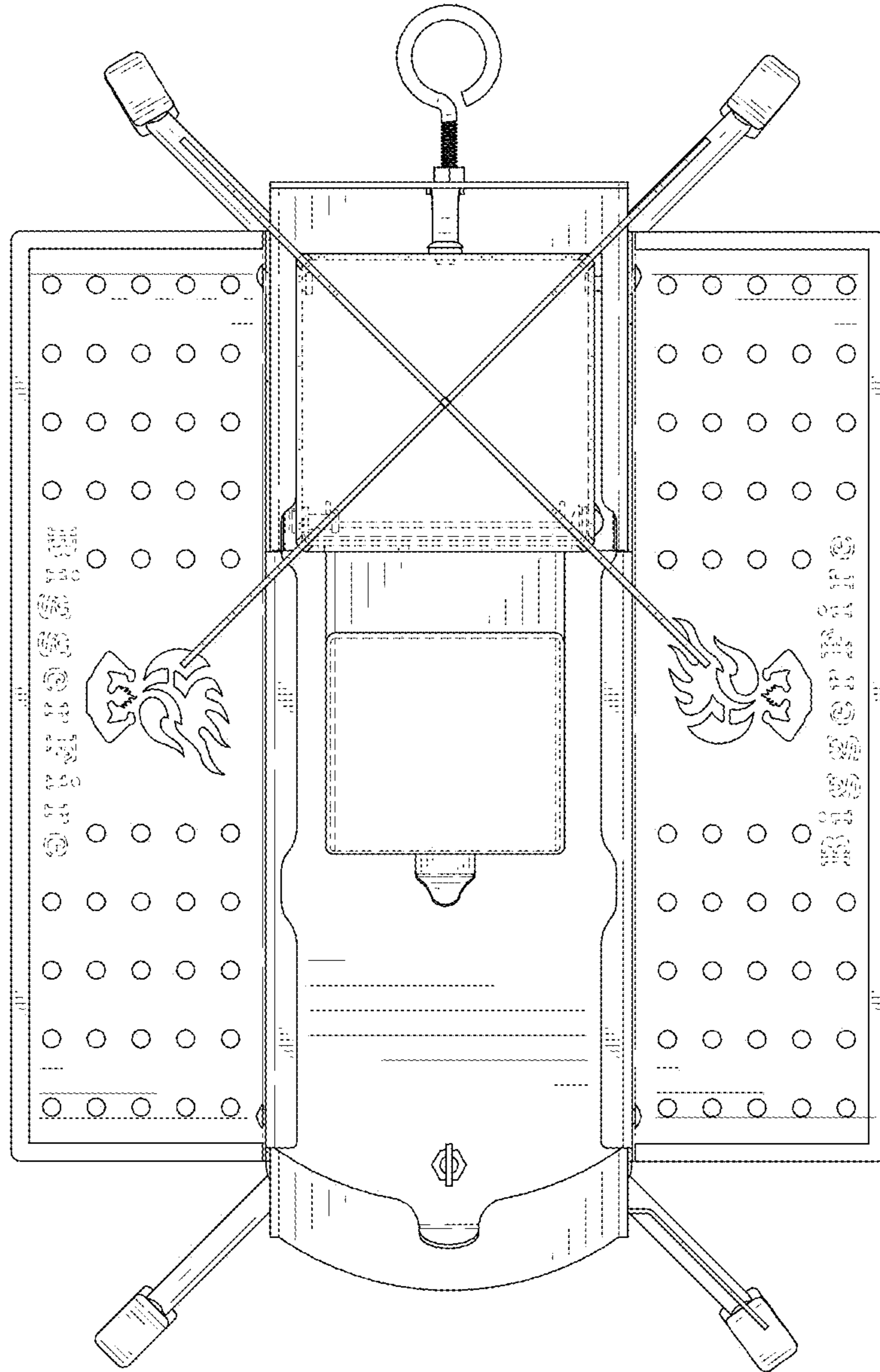


FIG. 7

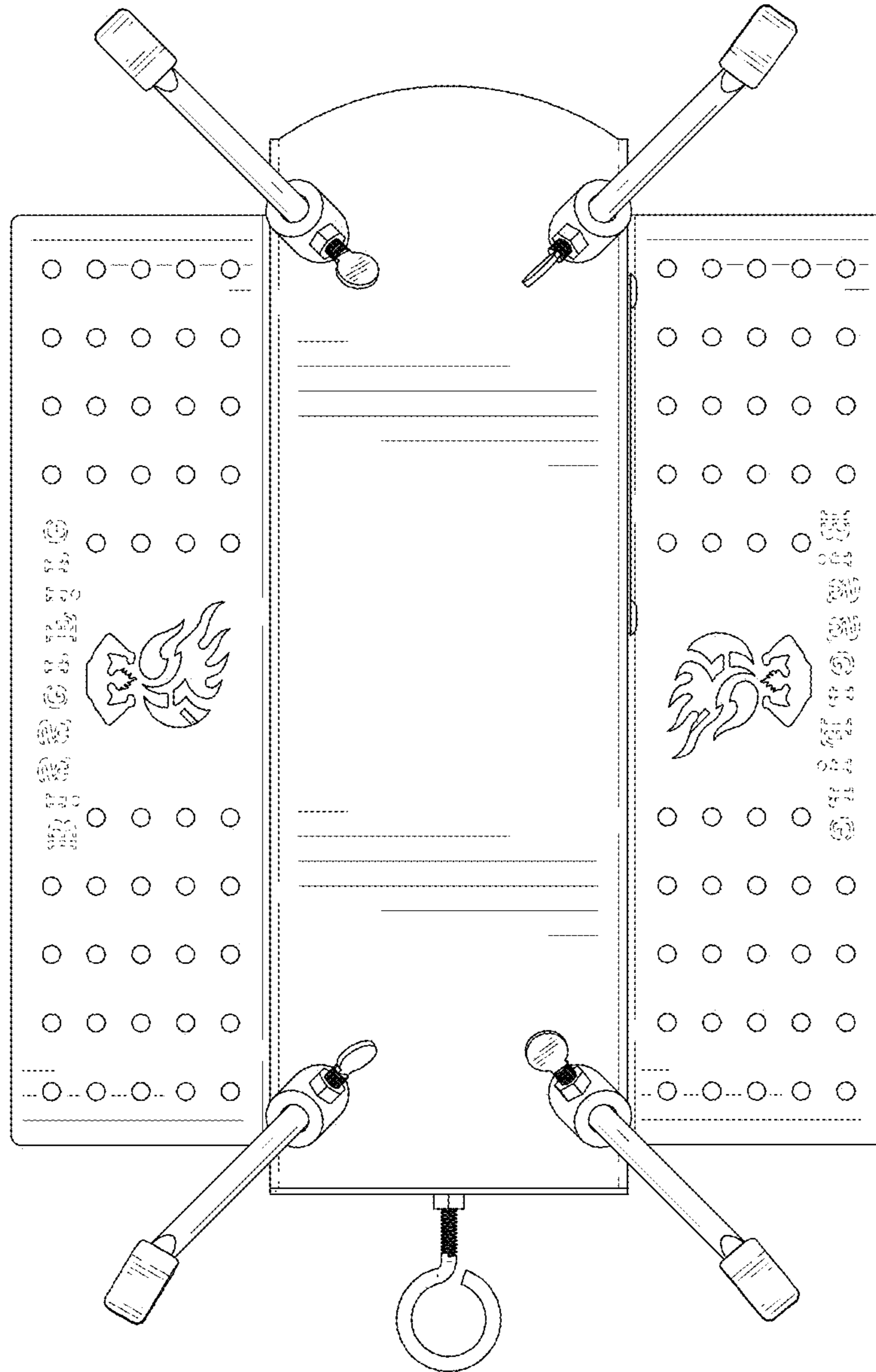


FIG. 8

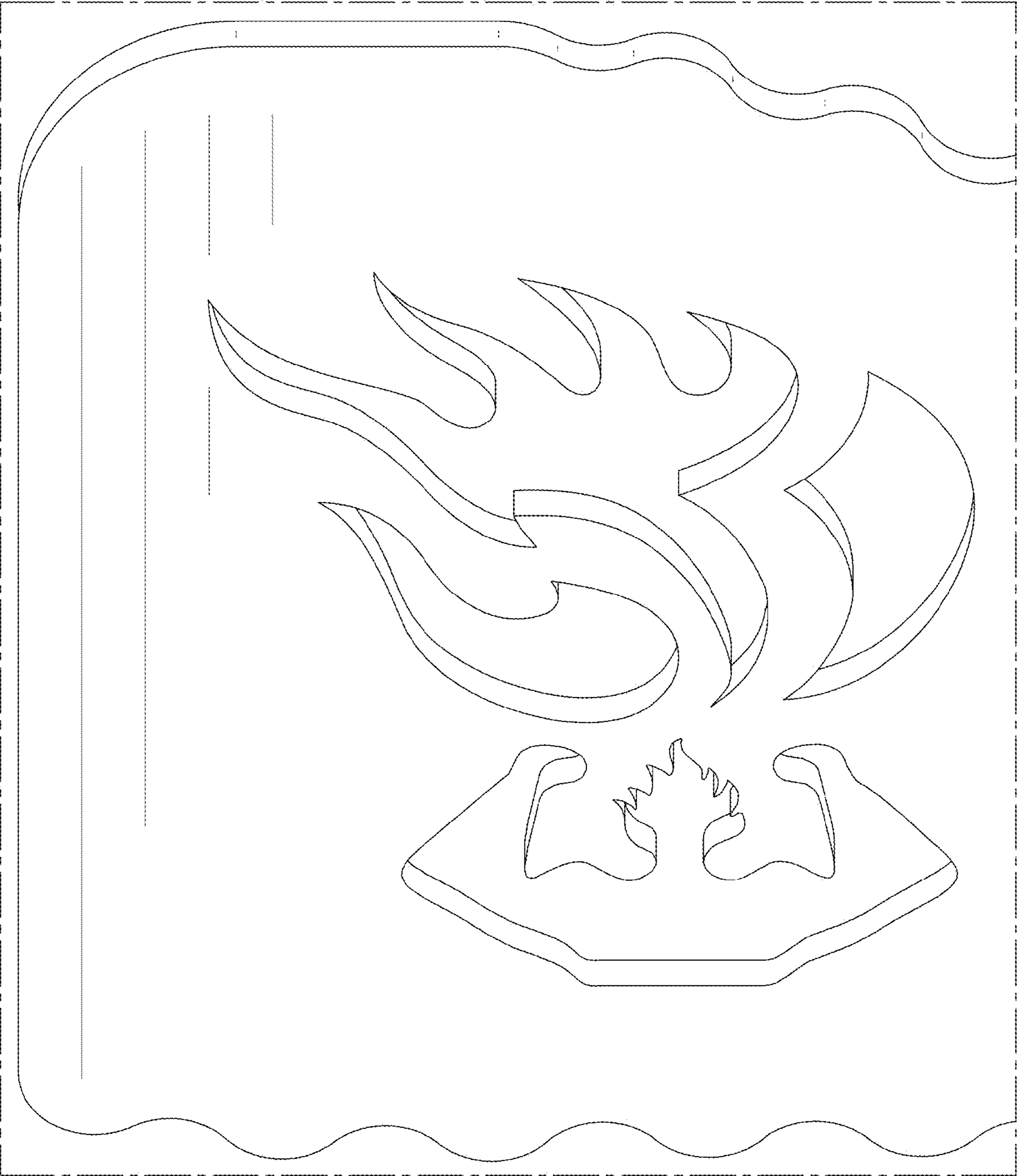


FIG. 9

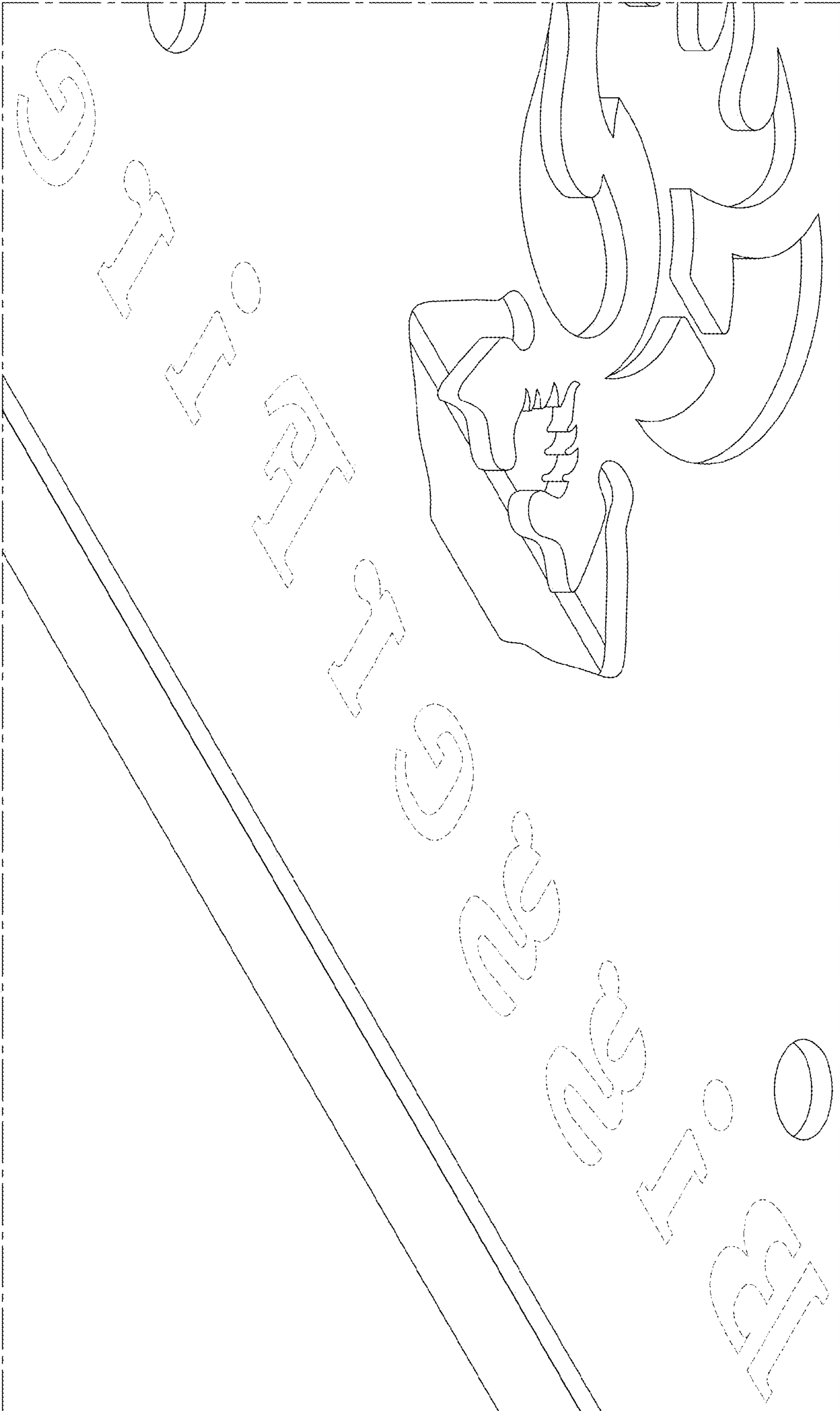


FIG. 10

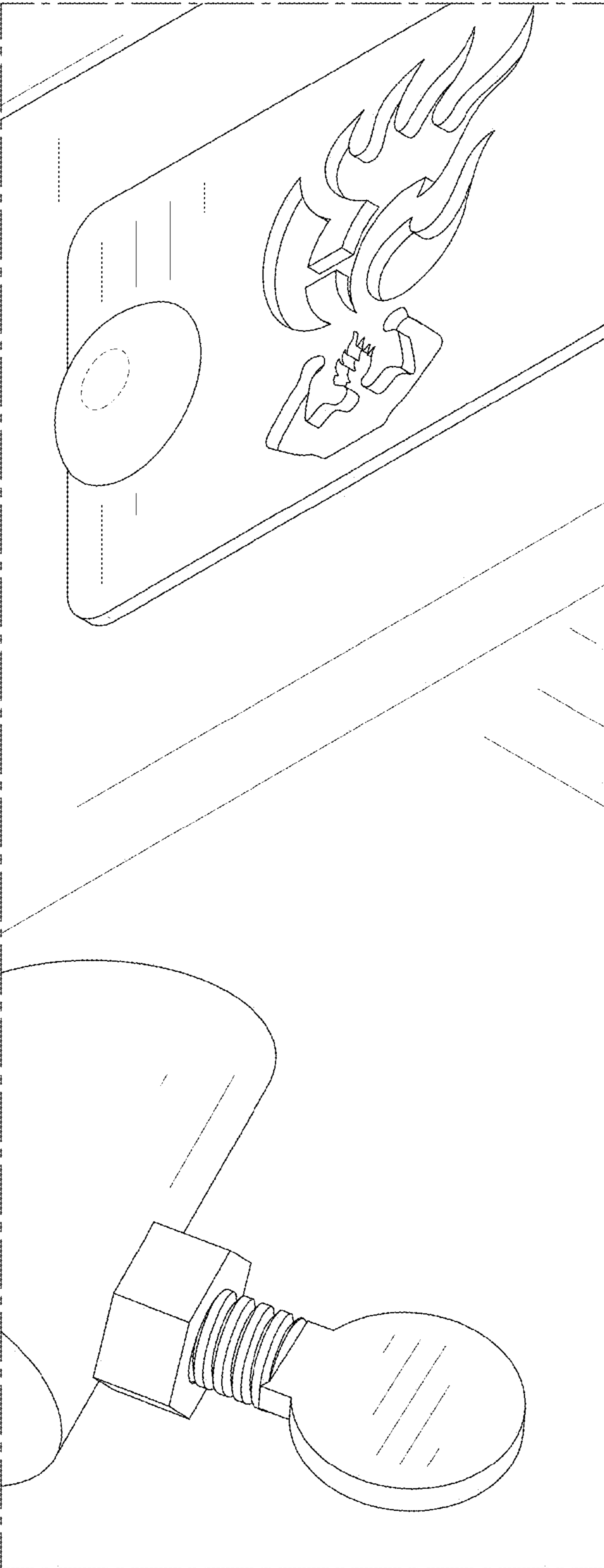


FIG. 11