



US0D1045024S

(12) **United States Design Patent**
Kremer Reynon

(10) **Patent No.:** **US D1,045,024 S**

(45) **Date of Patent:** **** Oct. 1, 2024**

(54) **FAUCET**

(71) Applicant: **DELTA FAUCET COMPANY,**
Indianapolis, IN (US)

(72) Inventor: **Evan Charles Kremer Reynon,**
Carmel, IN (US)

(73) Assignee: **DELTA FAUCET COMPANY,**
Indianapolis, IN (US)

(**) Term: **15 Years**

(21) Appl. No.: **29/884,978**

(22) Filed: **Feb. 17, 2023**

(51) **LOC (14) Cl.** **23-01**

(52) **U.S. Cl.**
USPC **D23/242**

(58) **Field of Classification Search**
USPC D23/238–244, 249, 252, 254–255, 257,
D23/499; D7/398
CPC F16K 31/602; F16K 31/605; F16K 31/607;
E03C 1/0412; E03C 1/0404; E03C 1/05
See application file for complete search history.

(56) **References Cited**

U.S. PATENT DOCUMENTS

D958,299 S * 7/2022 Parsons D23/242
D963,116 S * 9/2022 Sannito D23/242

D963,802 S * 9/2022 Homesombath D23/242
D963,806 S * 9/2022 Parsons D23/255
D1,016,238 S * 2/2024 Mylin D23/242
D1,016,243 S * 2/2024 Mylin D23/252
D1,018,791 S * 3/2024 Coyne D23/255
D1,019,898 S * 3/2024 Coyne D23/242

FOREIGN PATENT DOCUMENTS

CA 204253 * 1/2023

* cited by examiner

Primary Examiner — Amy C Wierenga

Assistant Examiner — Jamaal Rasheed

(74) *Attorney, Agent, or Firm* — Jeffrey L. Doyle

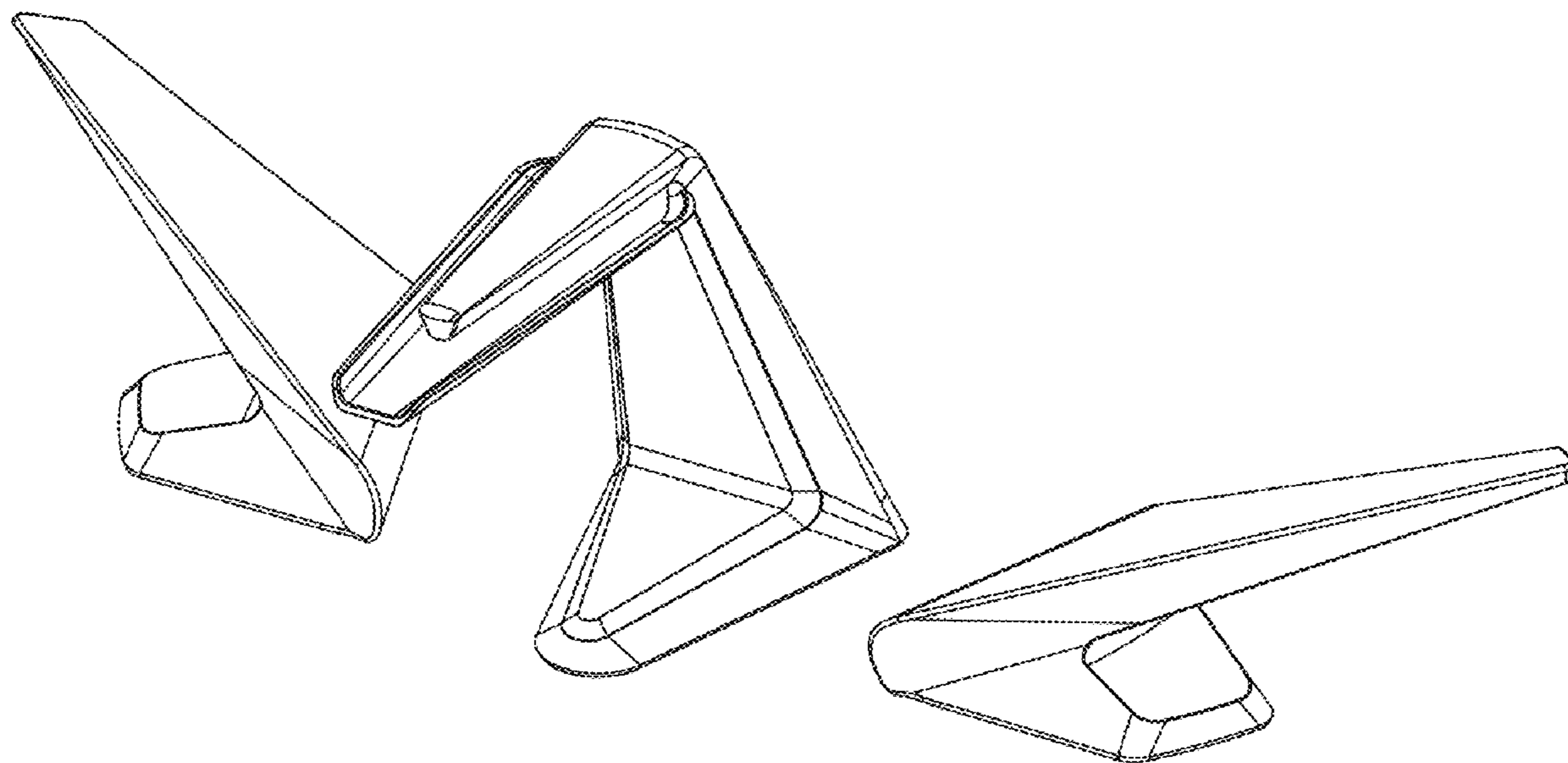
(57) **CLAIM**

The ornamental design for a faucet, as shown and described.

DESCRIPTION

FIG. 1 is a front perspective view of a faucet showing my new design;
FIG. 2 is another perspective view thereof;
FIG. 3 is a right side view thereof;
FIG. 4 is a front perspective view thereof;
FIG. 5 is a left side view thereof;
FIG. 6 is a rear view thereof;
FIG. 7 is a top plan thereof; and,
FIG. 8 is a bottom view thereof.

1 Claim, 4 Drawing Sheets



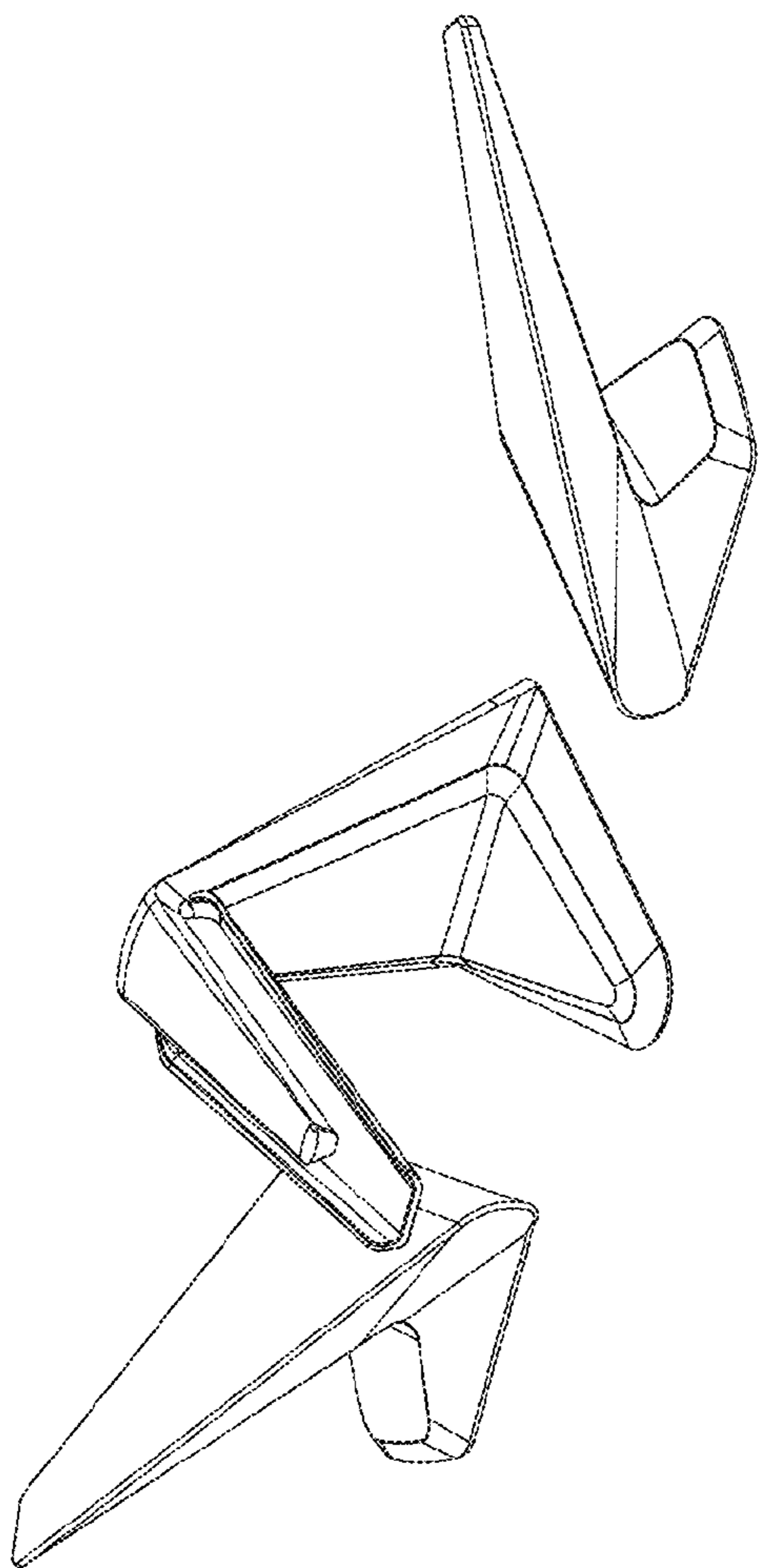


FIG. 1

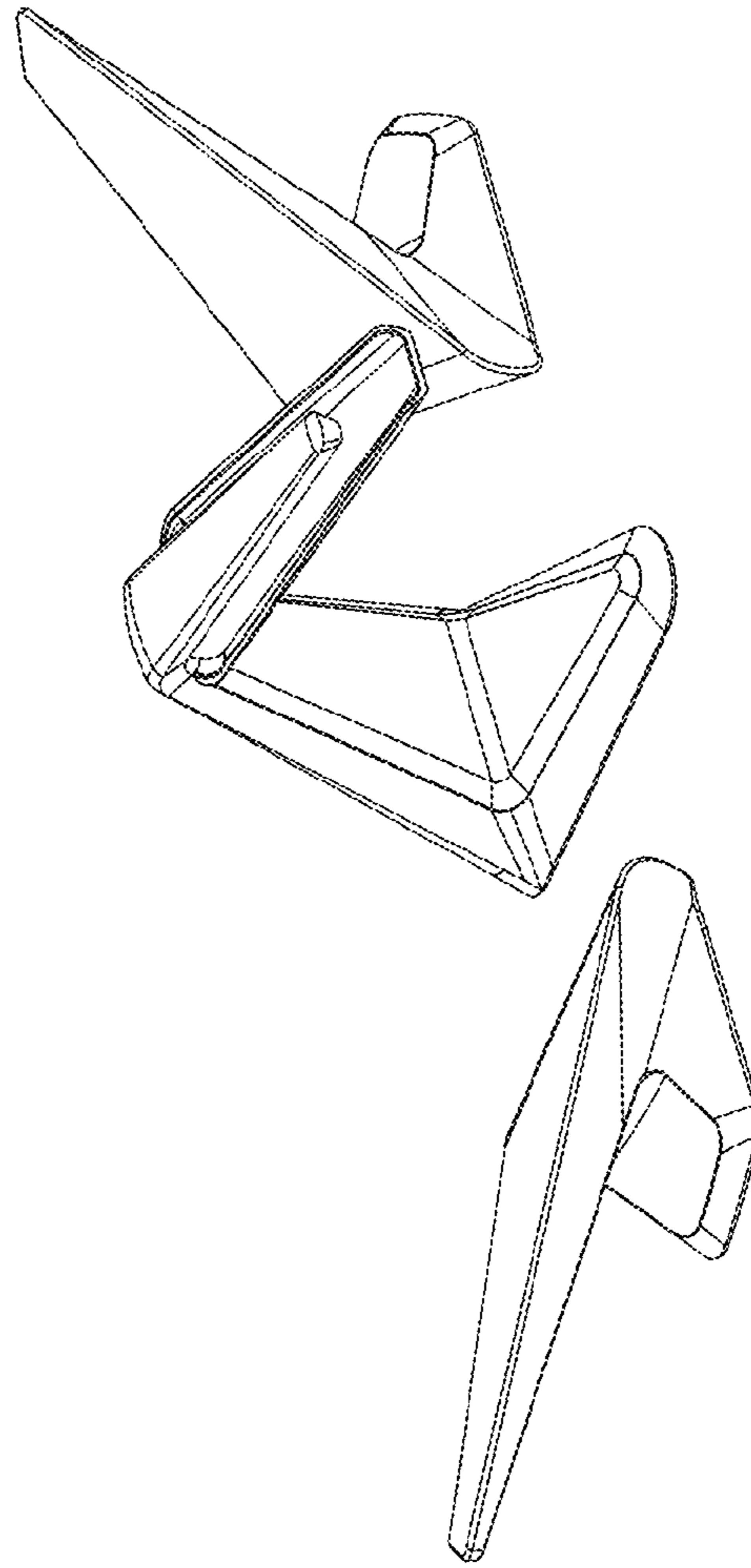


FIG. 2

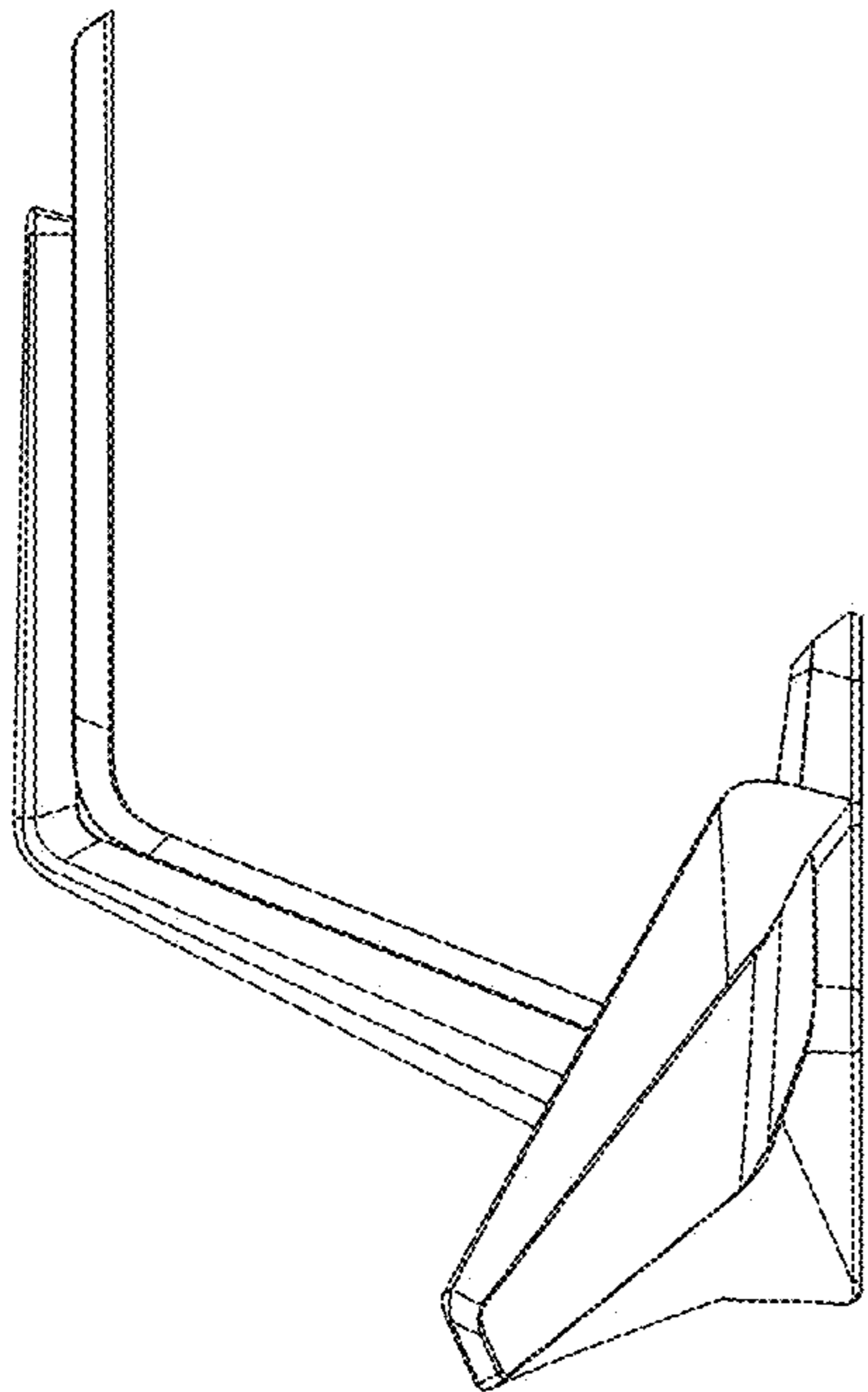


FIG. 3

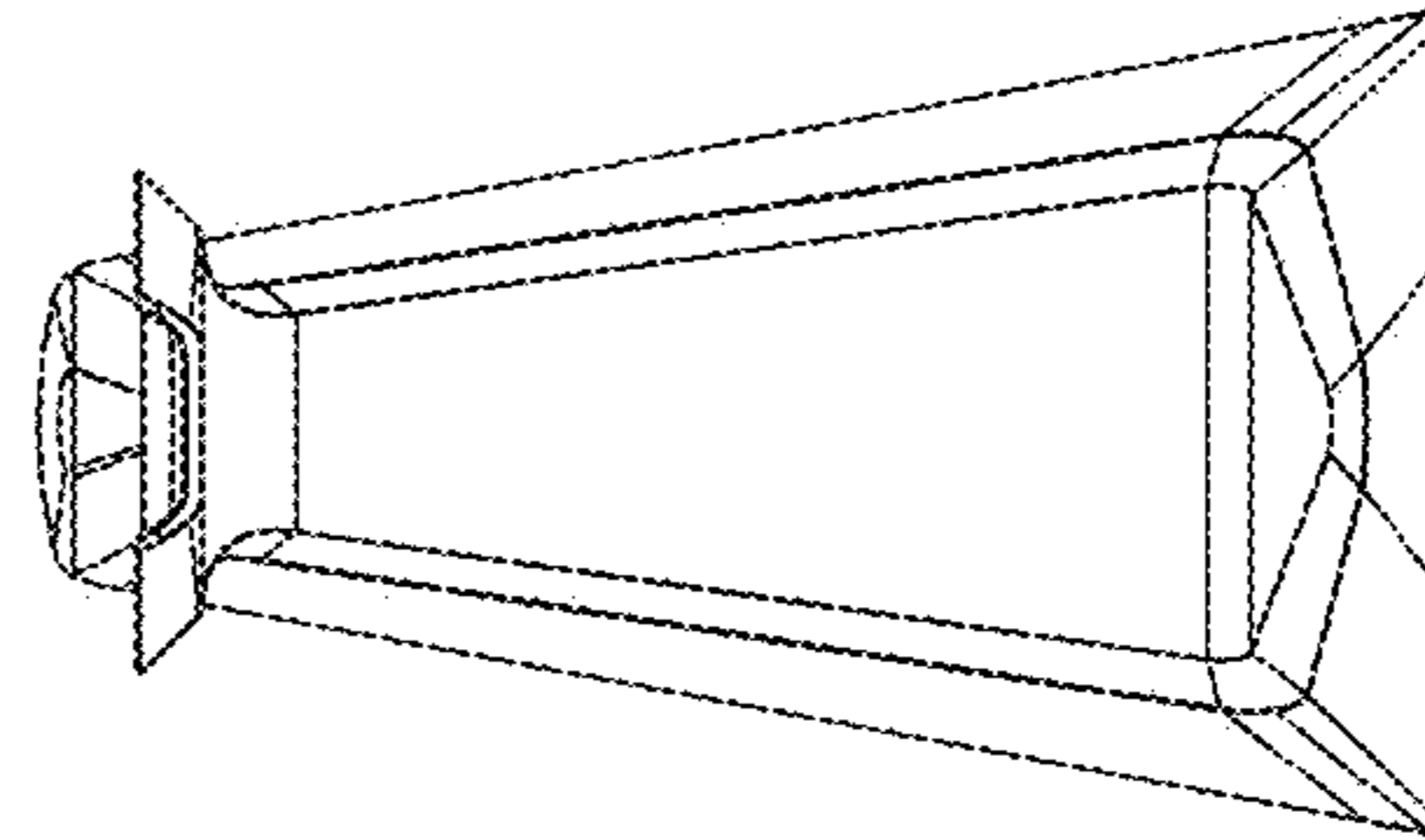


FIG. 4

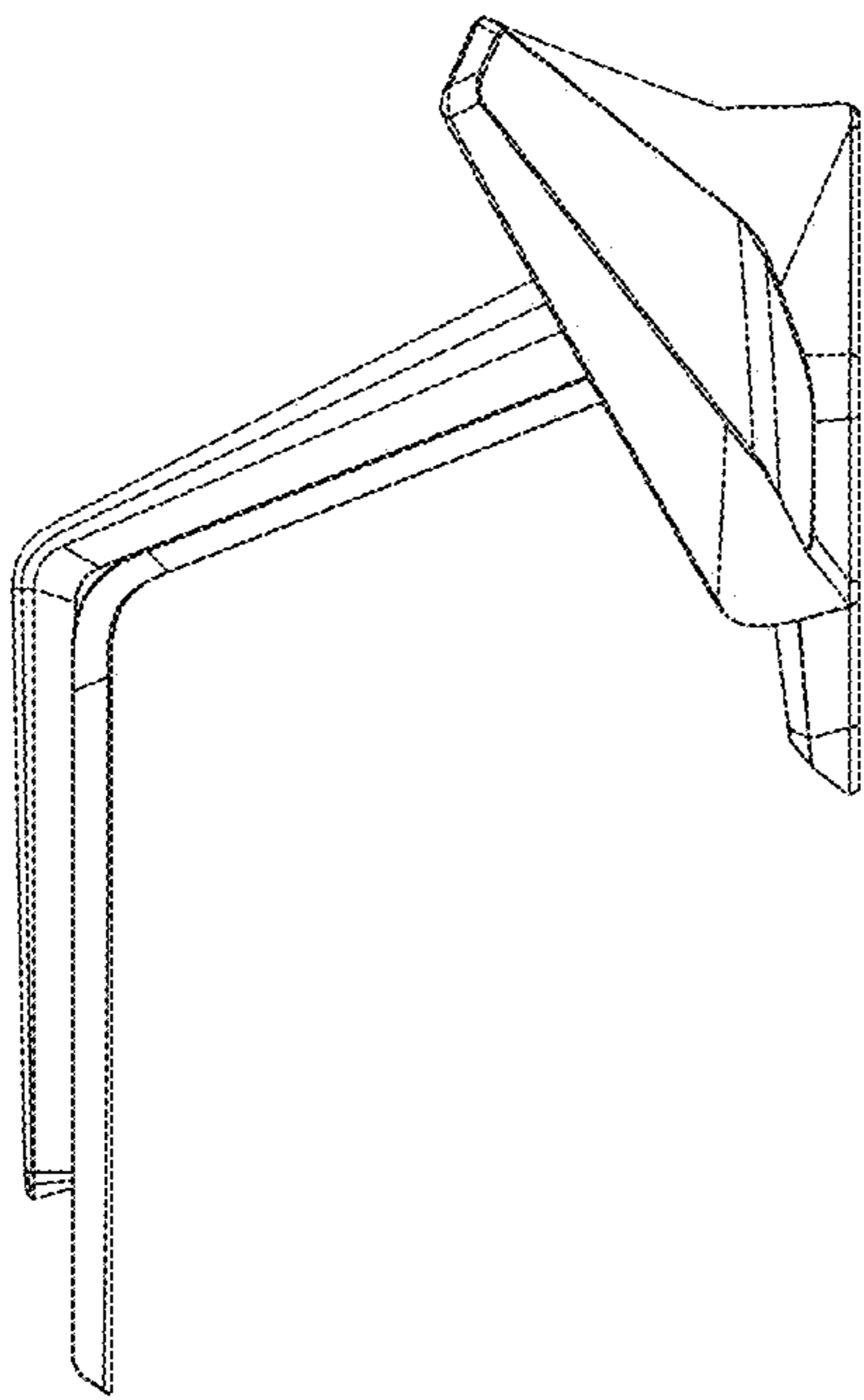


FIG. 5

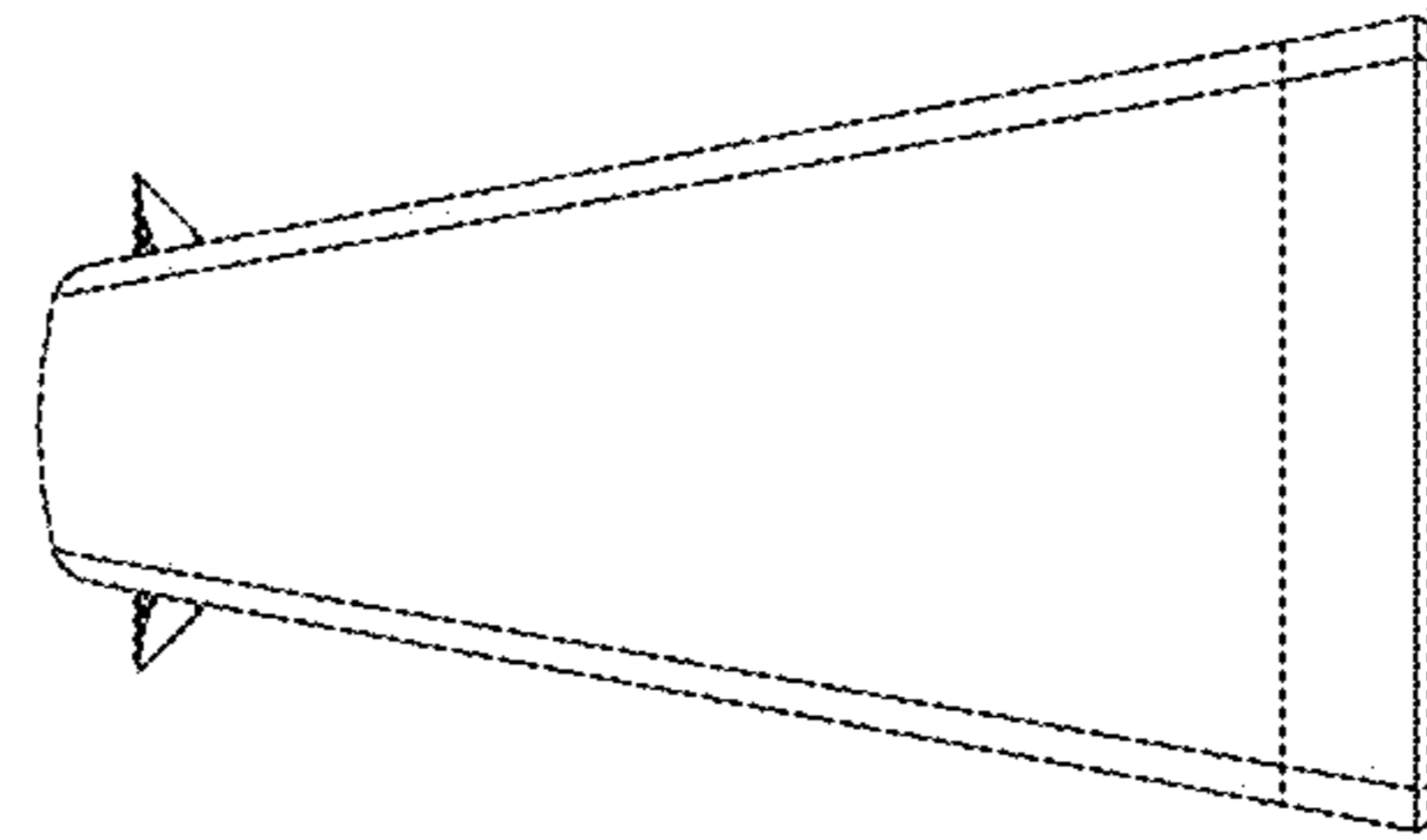


FIG. 6

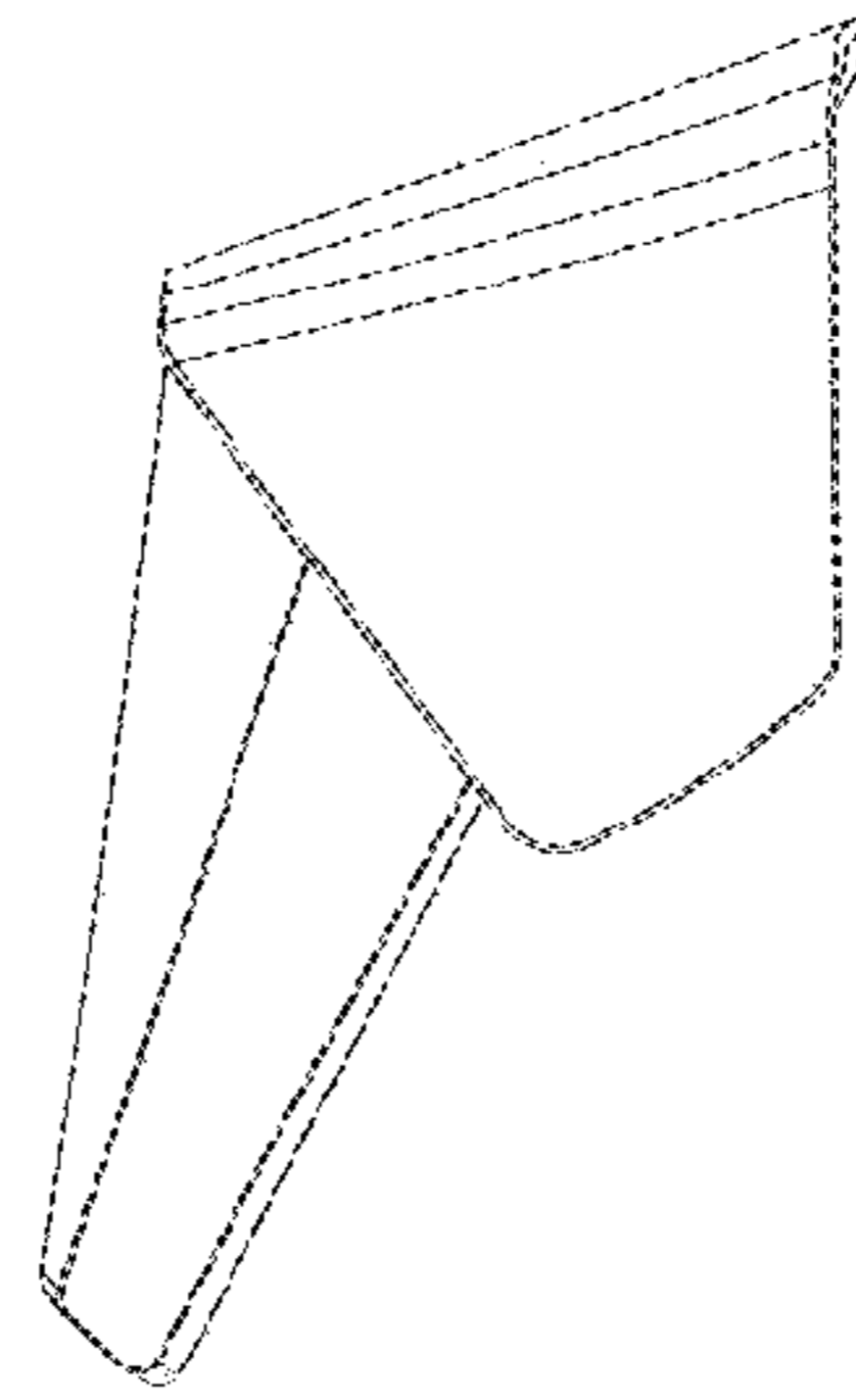
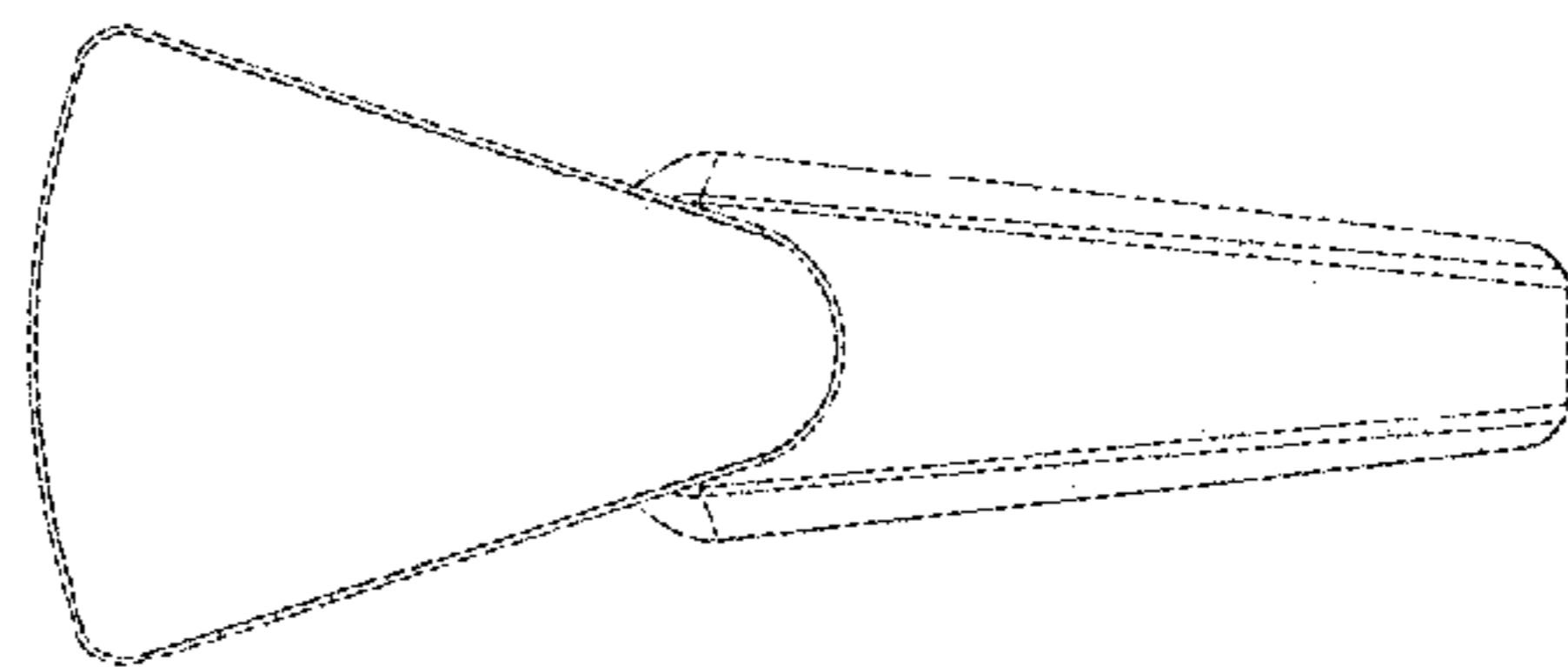
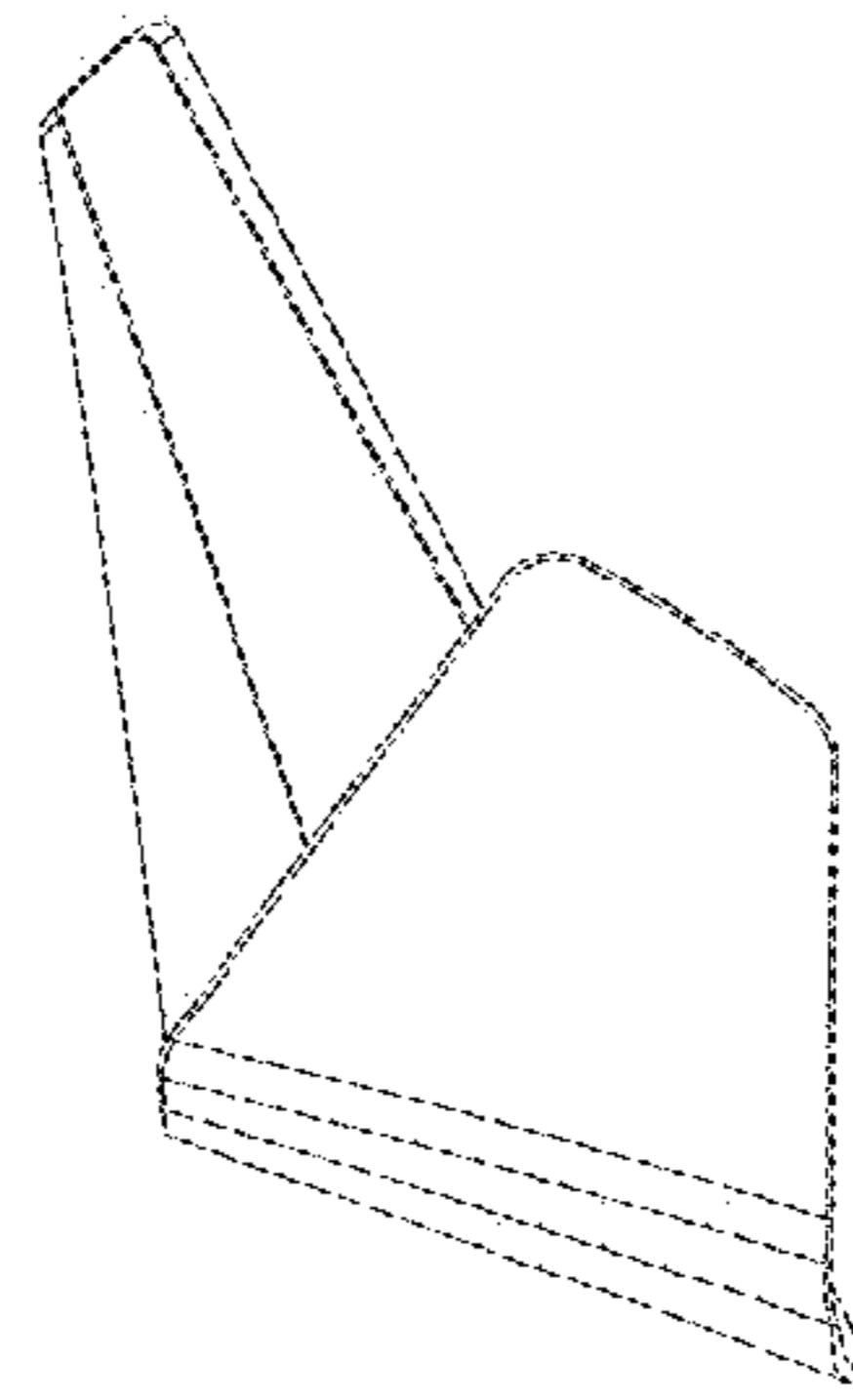
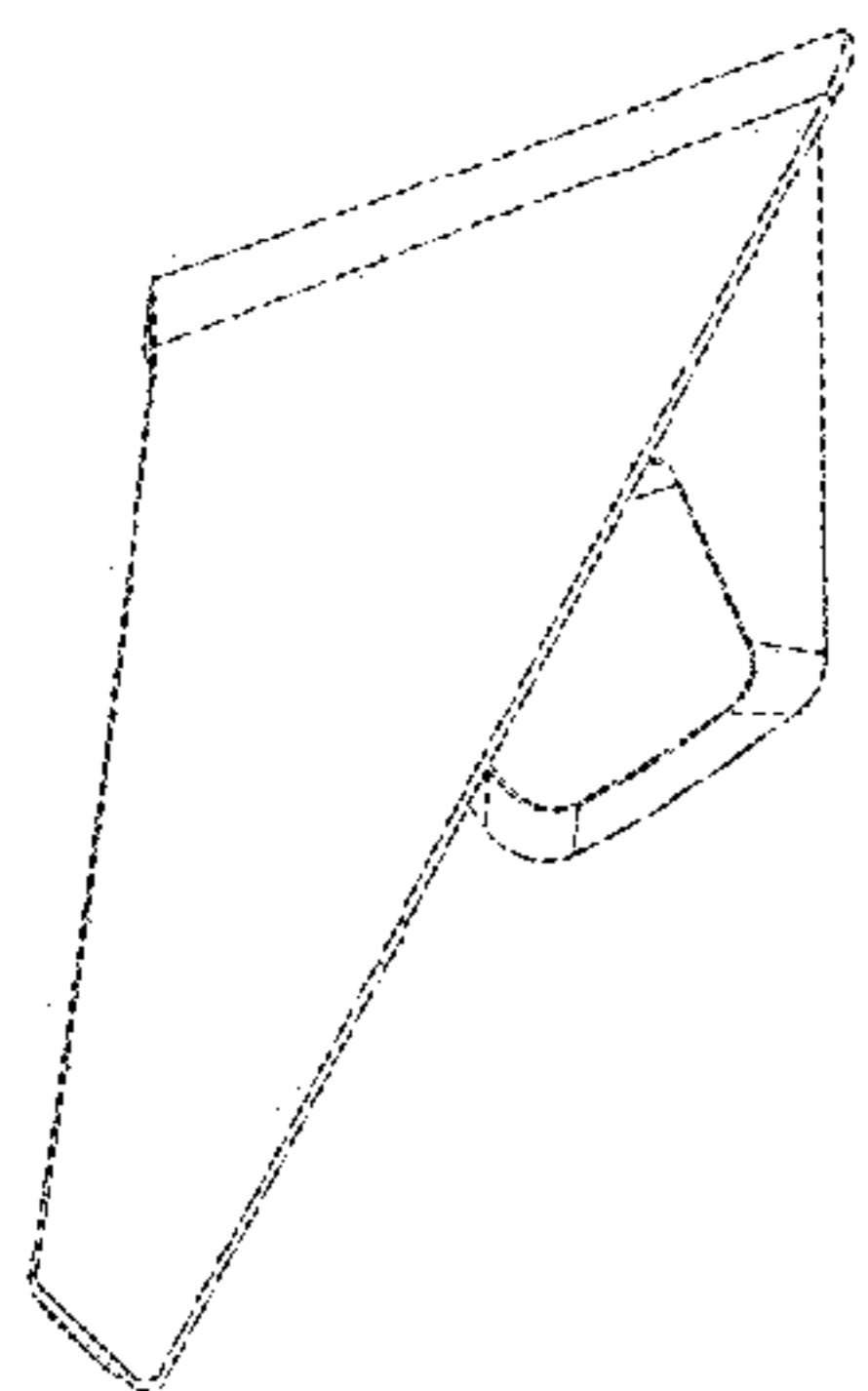
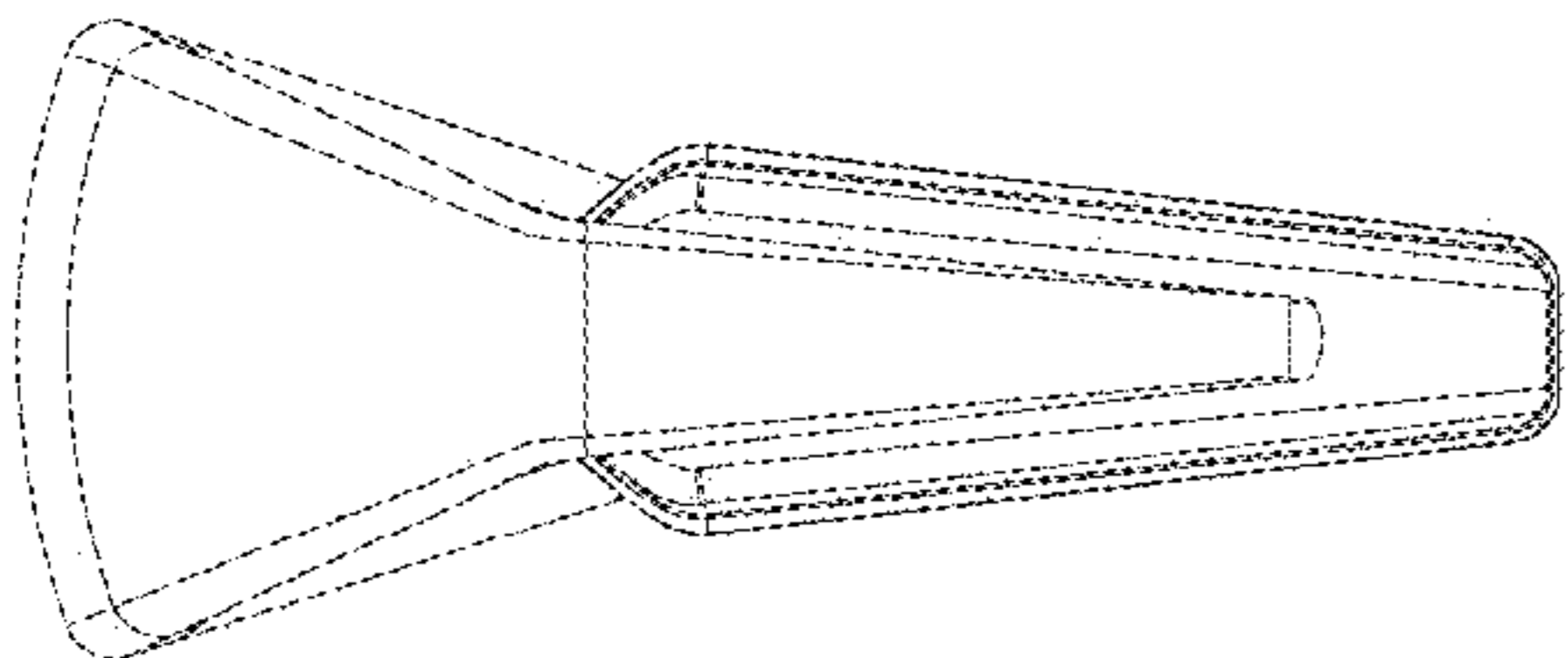
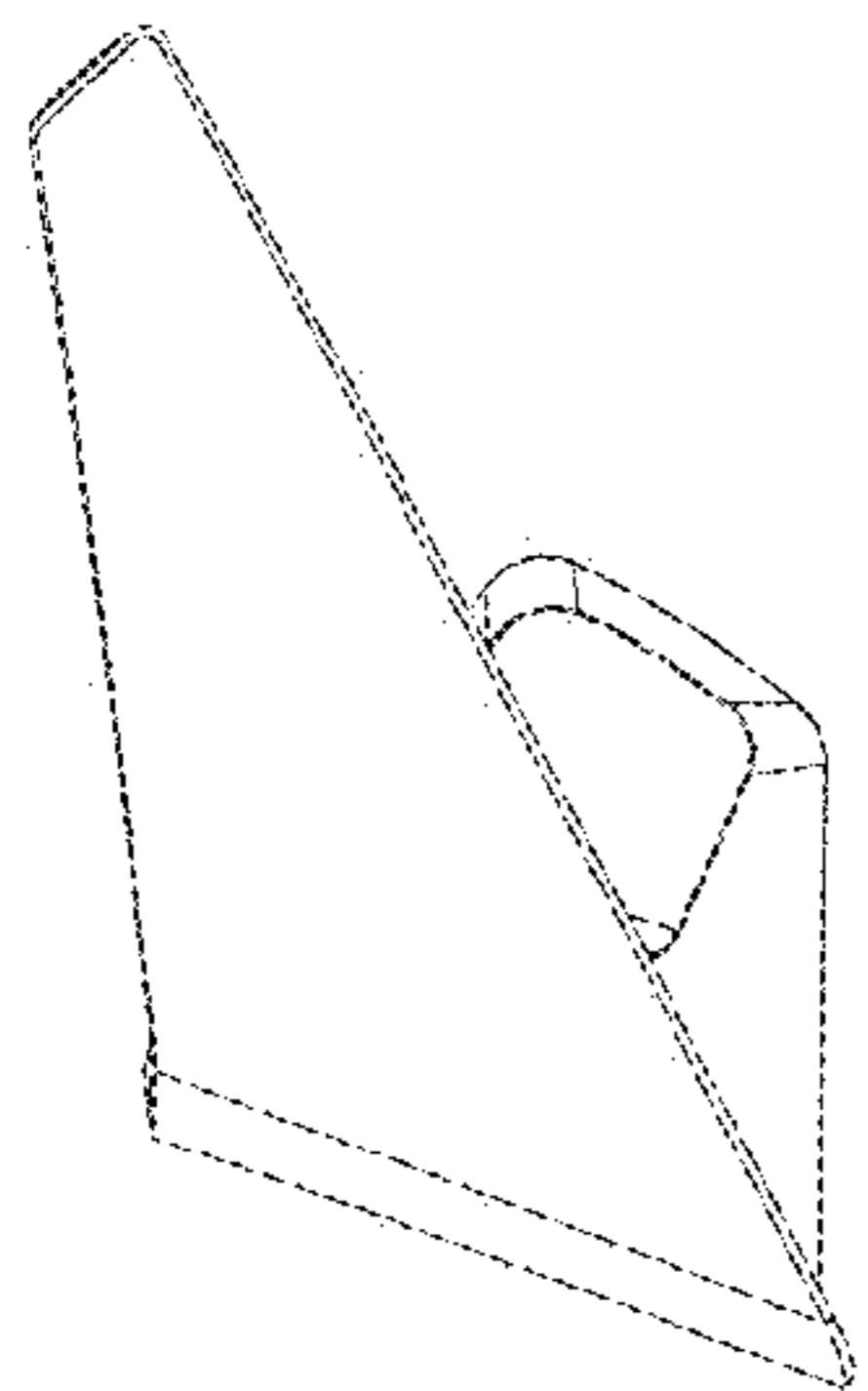


FIG. 7

FIG. 8