



US0D1045022S

(12) **United States Design Patent** (10) **Patent No.:** **US D1,045,022 S**
Hartis (45) **Date of Patent:** **** Oct. 1, 2024**

(54) **FAUCET**
(71) Applicant: **DELTA FAUCET COMPANY,**
Indianapolis, IN (US)
(72) Inventor: **Peyton Michele Hartis,** Sachse, TX
(US)
(73) Assignee: **DELTA FAUCET COMPANY,**
Indianapolis, IN (US)
(**) Term: **15 Years**
(21) Appl. No.: **29/863,368**
(22) Filed: **Dec. 19, 2022**
(51) **LOC (14) Cl.** **23-01**
(52) **U.S. Cl.**
USPC **D23/238**
(58) **Field of Classification Search**
USPC D23/238, 239, 240, 241, 242, 243, 244,
D23/245, 246, 247, 249, 250, 251, 252,
D23/253, 254, 255, 256, 257, 258
CPC E03C 1/00; E03C 1/01; E03C 1/02; E03C
1/023; E03C 1/04; E03C 1/0401; E03C
1/0403; E03C 1/0404; E03C 1/0405;
E03C 1/0412; E03C 1/05; E03C 1/042
See application file for complete search history.

D957,576 S * 7/2022 Upadhyaya D23/238
D962,392 S * 8/2022 Zhang D23/238
D987,041 S * 5/2023 Yu D23/238
D990,624 S * 6/2023 Yu D23/238
D1,016,230 S * 2/2024 Mansueto D23/238

OTHER PUBLICATIONS

Amazon, Tohlar Kitchen Tap, posted Jan. 5, 2022, [online], [visited May 15, 2024]. Internet, <URL: <https://www.amazon.co.uk/dp/B09PQSTMHB/>> (Year: 2022).*

Amazon, Rainovo Kitchen Faucet, posted Nov. 27, 2020, [online], [visited May 15, 2024]. Internet, <URL: <https://www.amazon.com/Rainovo-Kitchen-Sprayer-Stainless-Commercial/dp/B08P6M1RVH?th=1>> (Year: 2020).*

Amazon, Moen Sleek Kitchen Faucet, posted Apr. 26, 2022, [online], [visited May 15, 2024]. Internet, <URL: <https://www.amazon.com/dp/B09YVR9GXP/?th=1>> (Year: 2022).*

Amazon, Galim Kitchen Faucet, posted May 25, 2021, [online], [visited May 15, 2024]. Internet, <URL: <https://www.amazon.co.uk/dp/B095RZK8P4/>> (Year: 2021).*

* cited by examiner

Primary Examiner — Samantha Wood
(74) *Attorney, Agent, or Firm* — Jeffrey L. Doyle

(57) **CLAIM**

The ornamental design for a faucet, as shown and described.

DESCRIPTION

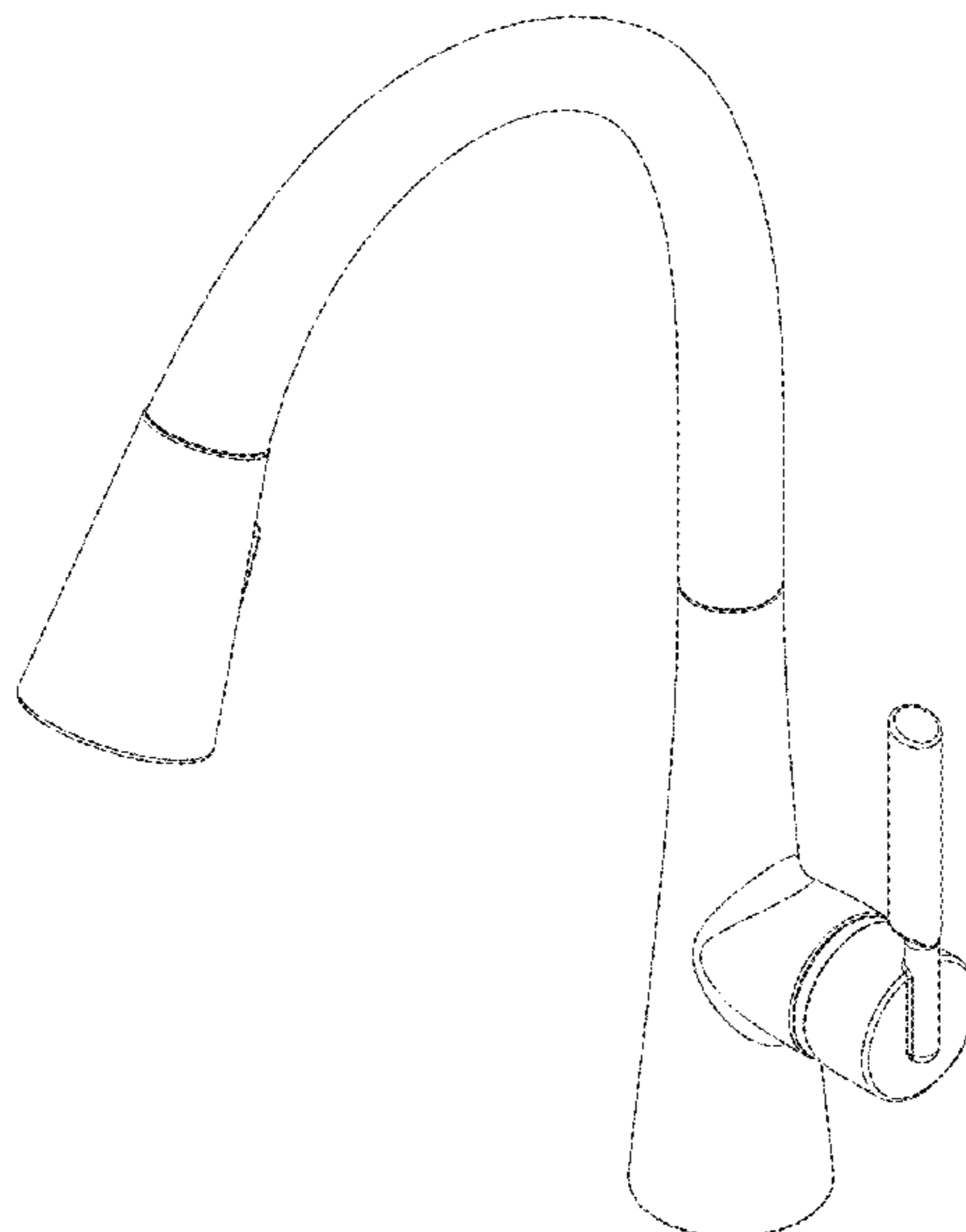
FIGS. 1 and 2 are front perspective views of a faucet showing my new design;
FIG. 3 is a right side view thereof;
FIG. 4 is a front elevational view thereof;
FIG. 5 is a left side view thereof;
FIG. 6 is a rear view thereof; and,
FIG. 7 is a top plan view thereof.
The broken lines are included for the purpose of illustrating portions of the faucet and form no part of the claimed design.

1 Claim, 4 Drawing Sheets

(56) **References Cited**

U.S. PATENT DOCUMENTS

D629,873 S * 12/2010 Roy D23/255
D860,396 S * 9/2019 Seum D23/238
D872,235 S * 1/2020 Garland D23/238
D872,239 S * 1/2020 Eads D23/252
D873,380 S * 1/2020 Judge D23/238
D883,440 S * 5/2020 Seum D23/238
D914,846 S * 3/2021 Zhang D23/238
D925,704 S * 7/2021 Yan D23/238
D940,278 S * 1/2022 Stoler D23/238
D941,435 S * 1/2022 Stoler D23/252



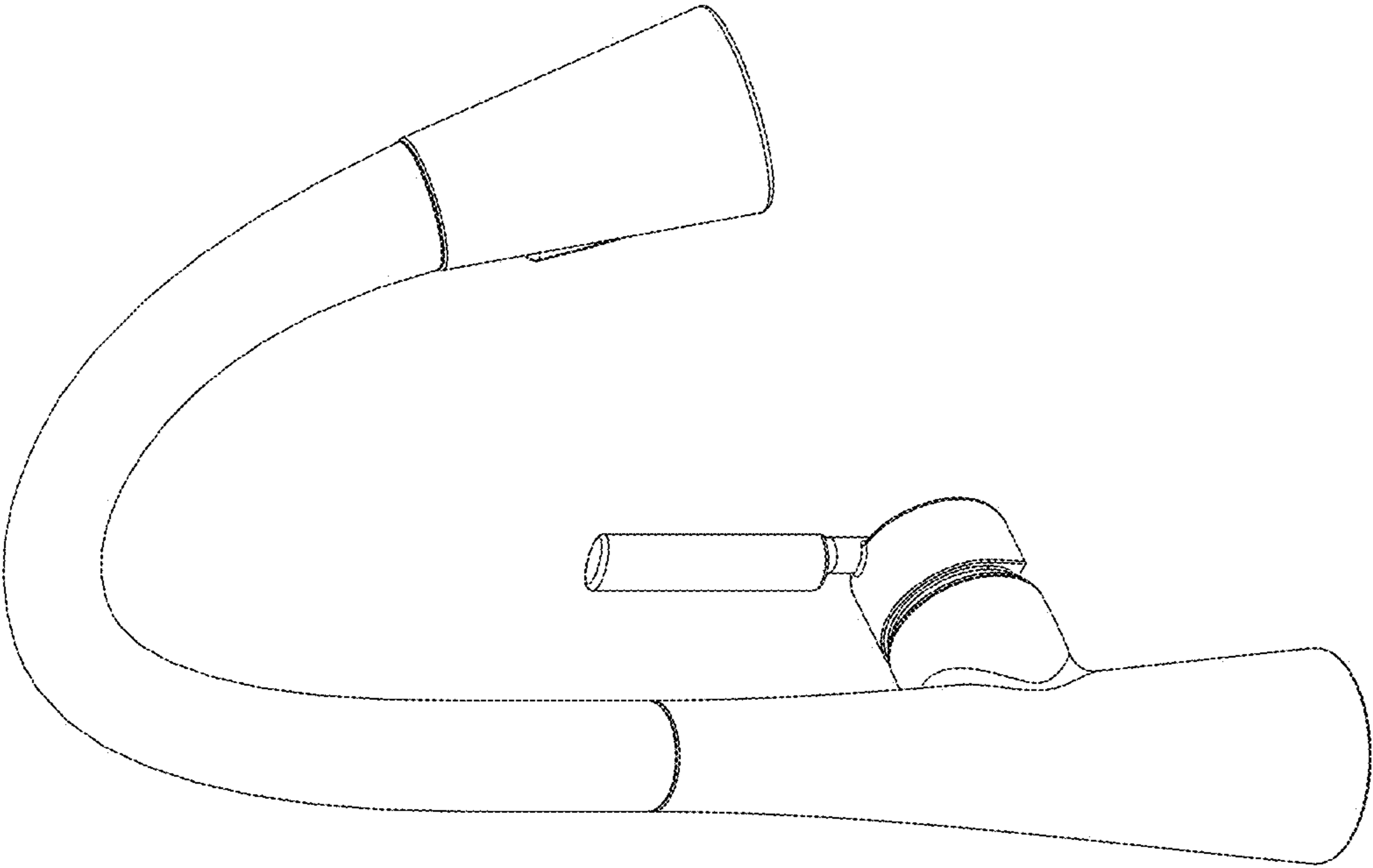


FIG. 2

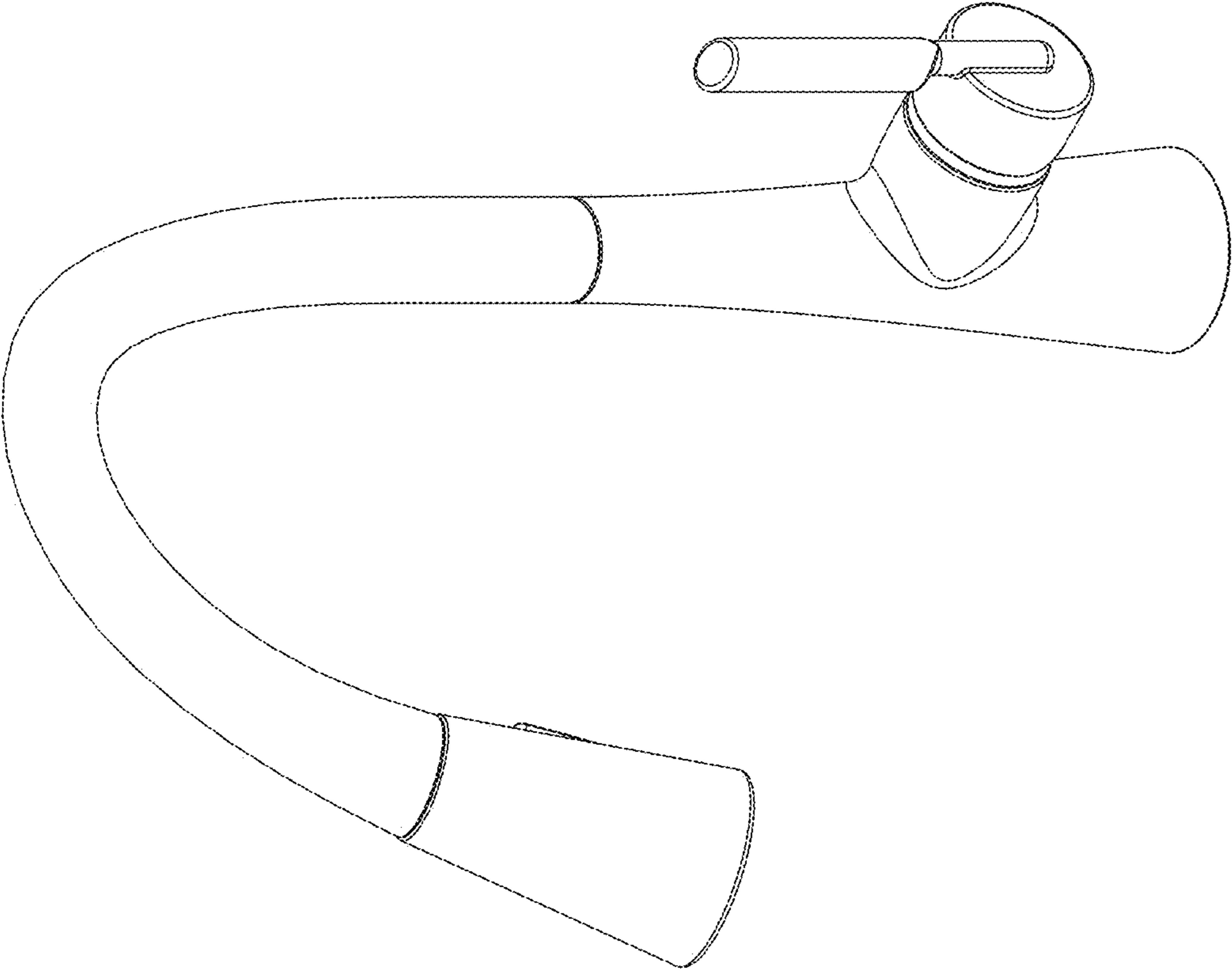


FIG. 1

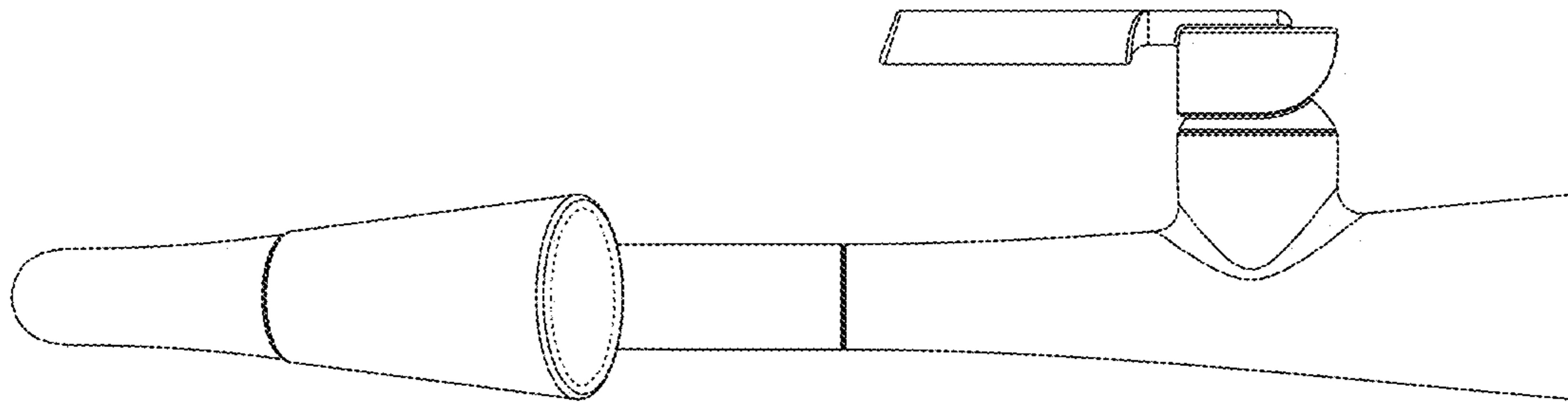


FIG. 4

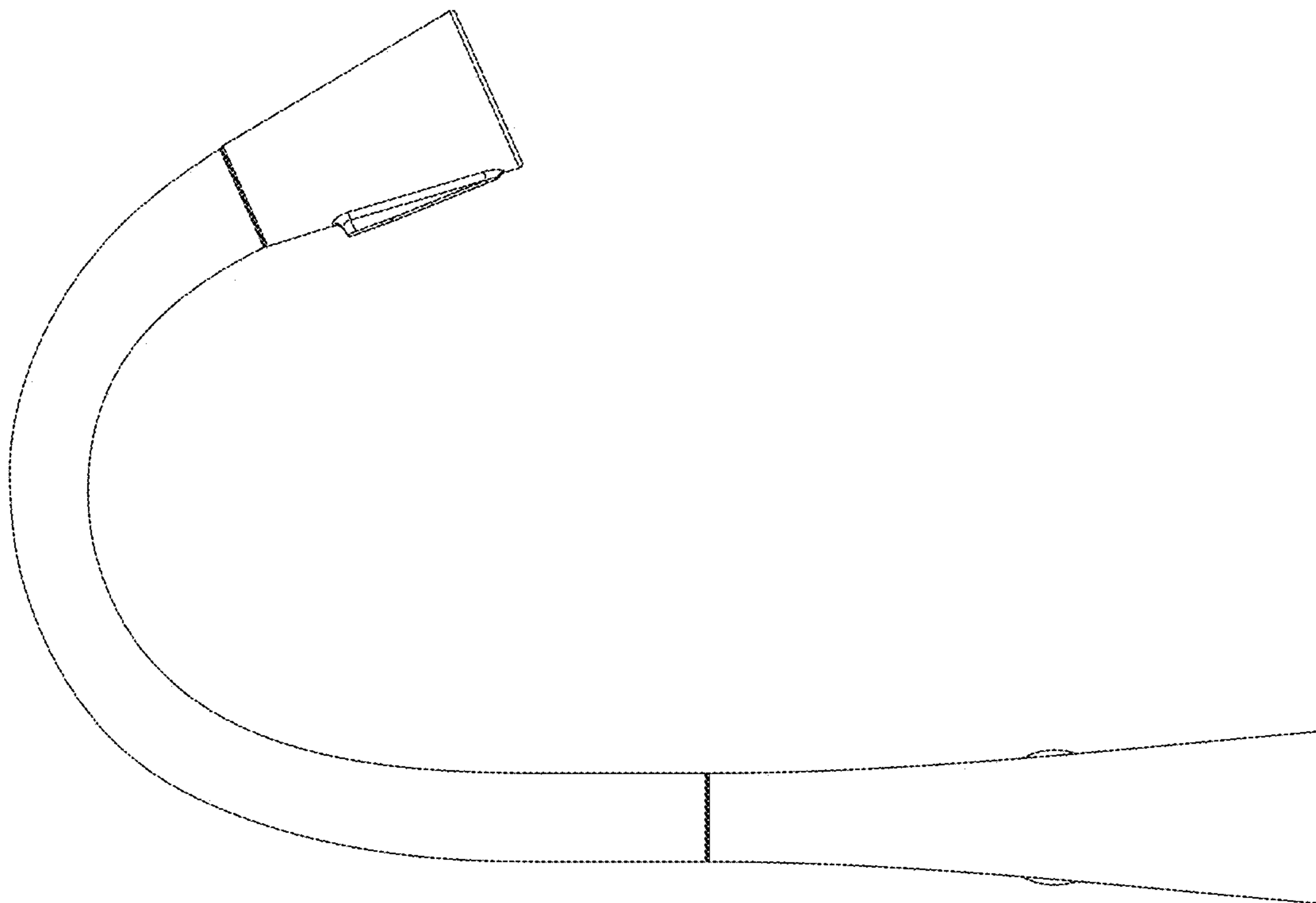


FIG. 3

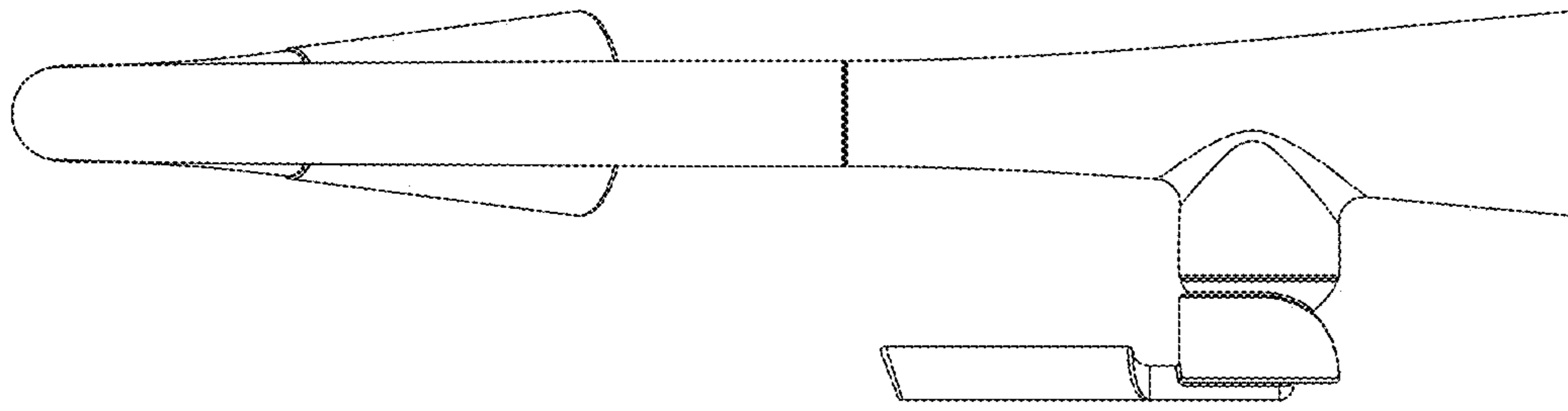


FIG. 6

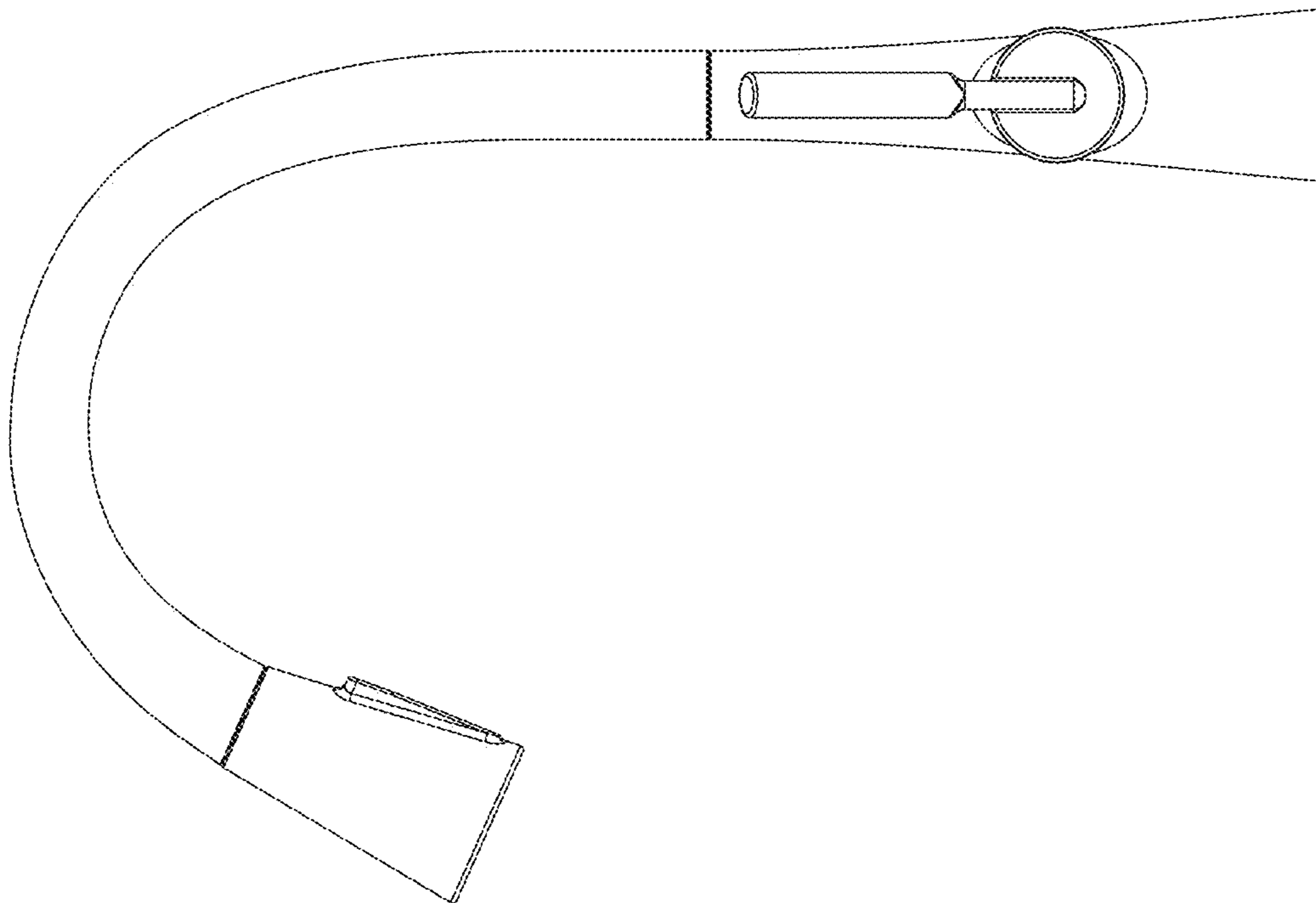


FIG. 5

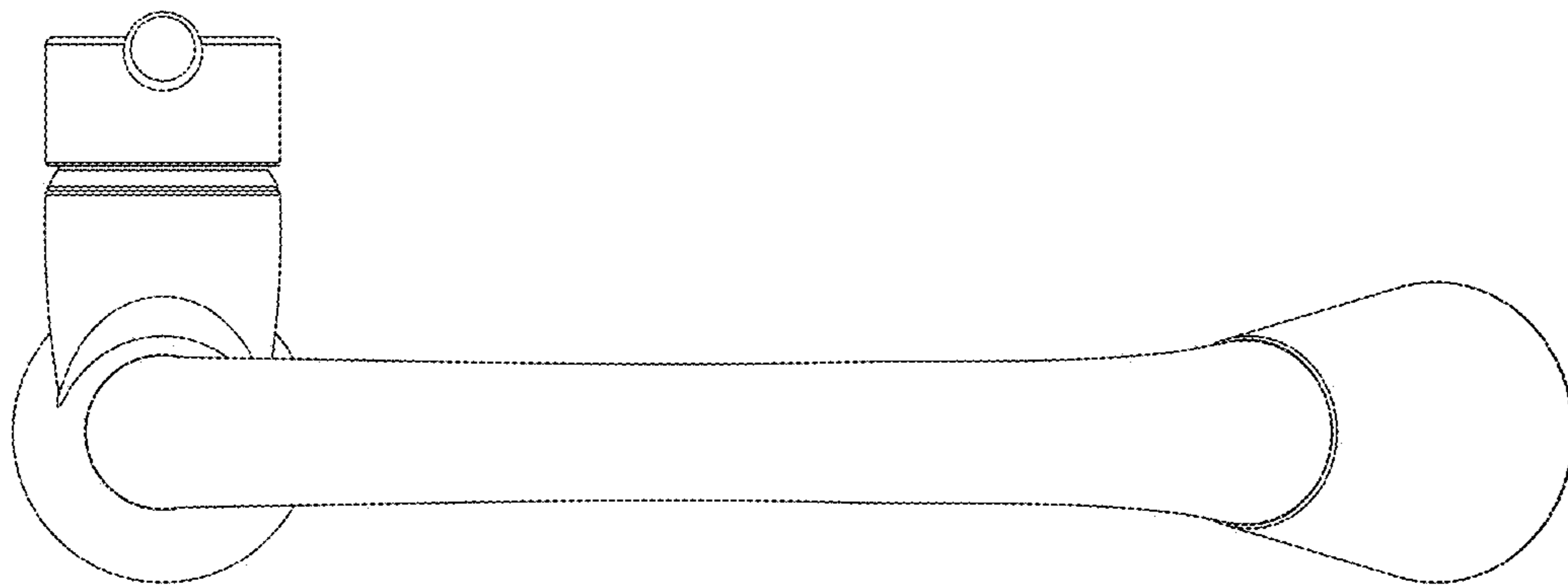


FIG. 7