



US0D1044989S

(12) **United States Design Patent** (10) **Patent No.:** **US D1,044,989 S**
Ke (45) **Date of Patent:** **** Oct. 1, 2024**

(54) **MUSICAL BOXING TARGET**

(71) Applicant: **Jinshu Ruan**, Guangde (CN)

(72) Inventor: **Youzhen Ke**, Huangshi (CN)

(73) Assignee: **Jinshu Ruan**, Guangde (CN)

(**) Term: **15 Years**

(21) Appl. No.: **29/923,129**

(22) Filed: **Dec. 28, 2023**

(30) **Foreign Application Priority Data**

Aug. 17, 2023 (CN) 202330529195.9

(51) **LOC (14) Cl.** **21-02**

(52) **U.S. Cl.**
USPC **D21/787**

(58) **Field of Classification Search**
USPC D21/787, 302, 308, 314, 32, 362
CPC A63B 2244/10; A63B 69/22; A63B
2244/102; A63B 2071/0625; A63B 69/20
See application file for complete search history.

(56) **References Cited**

U.S. PATENT DOCUMENTS

D469,474 S *	1/2003	Van Ness	D21/324
D816,788 S	5/2018	Chen		
D1,002,728 S *	10/2023	Kam	D21/324
D1,025,261 S *	4/2024	Luo	D21/787
D1,029,162 S *	5/2024	Xiang	D21/787
2011/0059827 A1 *	3/2011	Fazio	A63B 24/0075 482/83

OTHER PUBLICATIONS

Boxing machine Fincome, posted Mar. 20, 2024 online, retrieved Jul. 10, 2024. Retrieved from internet, https://www.amazon.com/FINCOME-Upgraded-Bluetooth-Equipment-Training/dp/B0CYLV7YHJ/ref=asc_df_B0CYLV7YHJ/ (Year: 2023).*

* cited by examiner

Primary Examiner — George D. Kirschbaum
Assistant Examiner — Patricia K. Beard

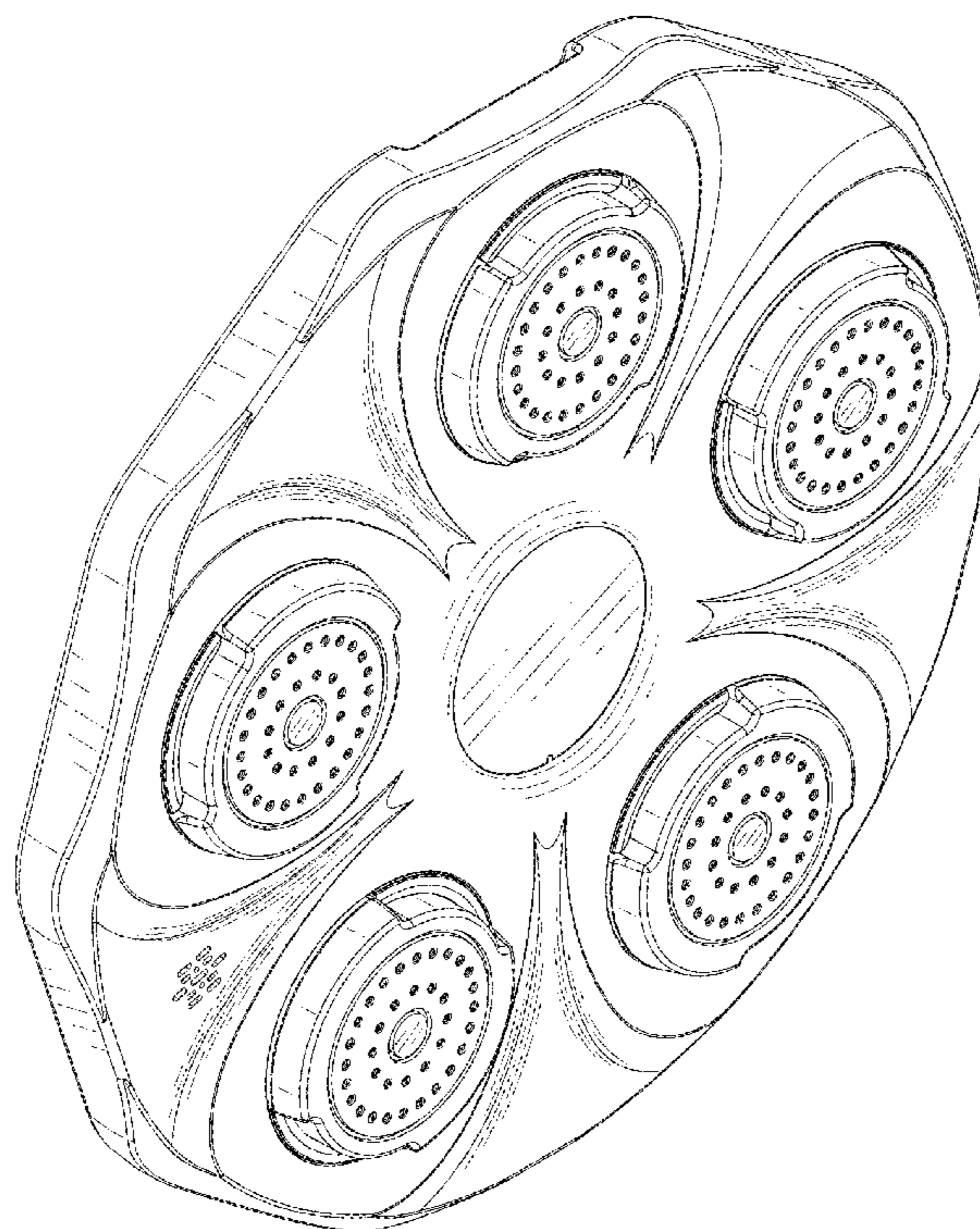
(57) **CLAIM**

The ornamental design for a musical boxing target, as shown and described.

DESCRIPTION

FIG. 1 is a front perspective view of a musical boxing target, showing my new design;
FIG. 2 is a rear perspective view thereof;
FIG. 3 is a front view thereof;
FIG. 4 is a rear view thereof;
FIG. 5 is a left side view thereof;
FIG. 6 is a right side view thereof;
FIG. 7 is a top view thereof; and,
FIG. 8 is a bottom view.
The broken lines in the drawings illustrate the portions of the musical boxing target, which form no part of the claimed design.

1 Claim, 8 Drawing Sheets



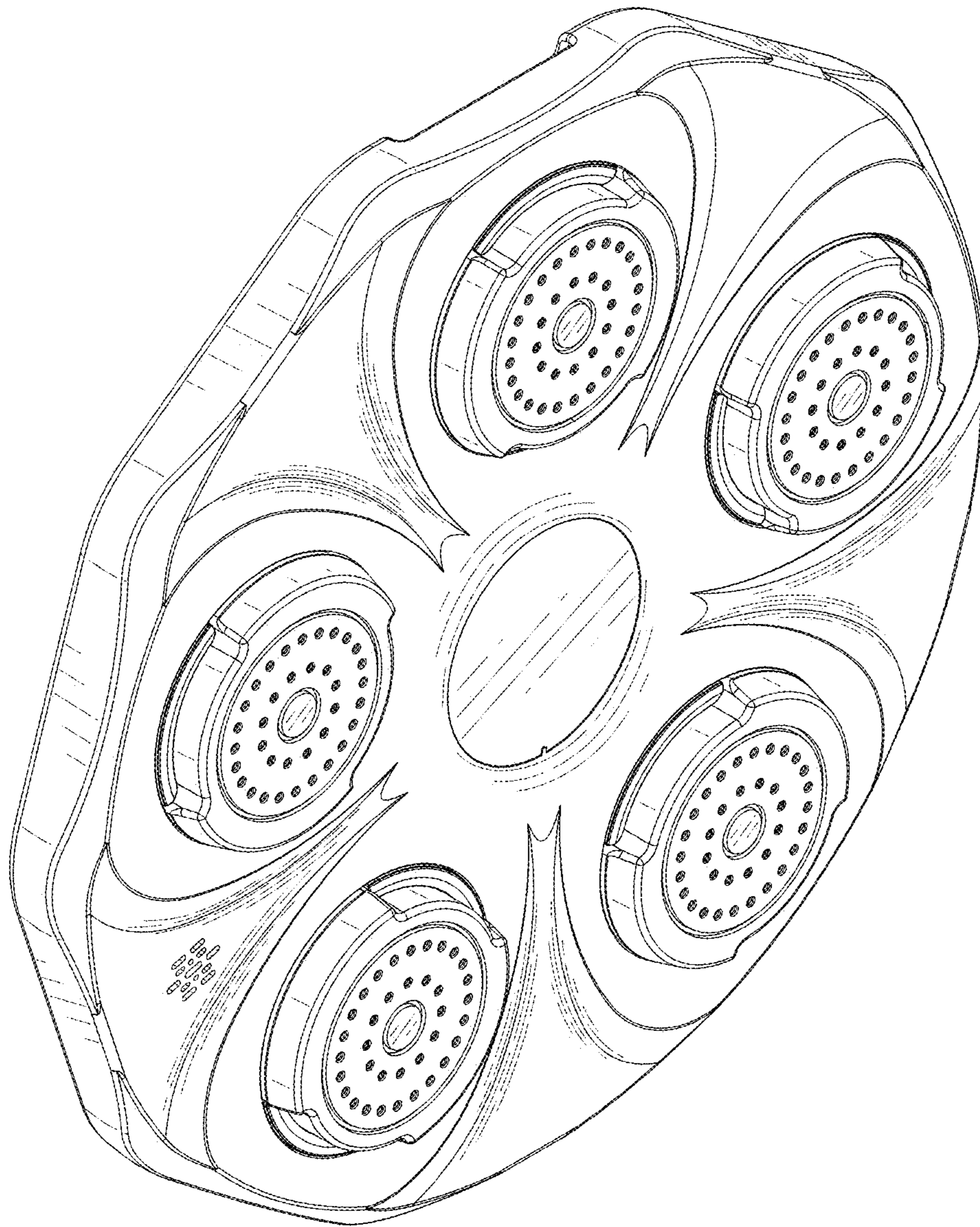


FIG. 1

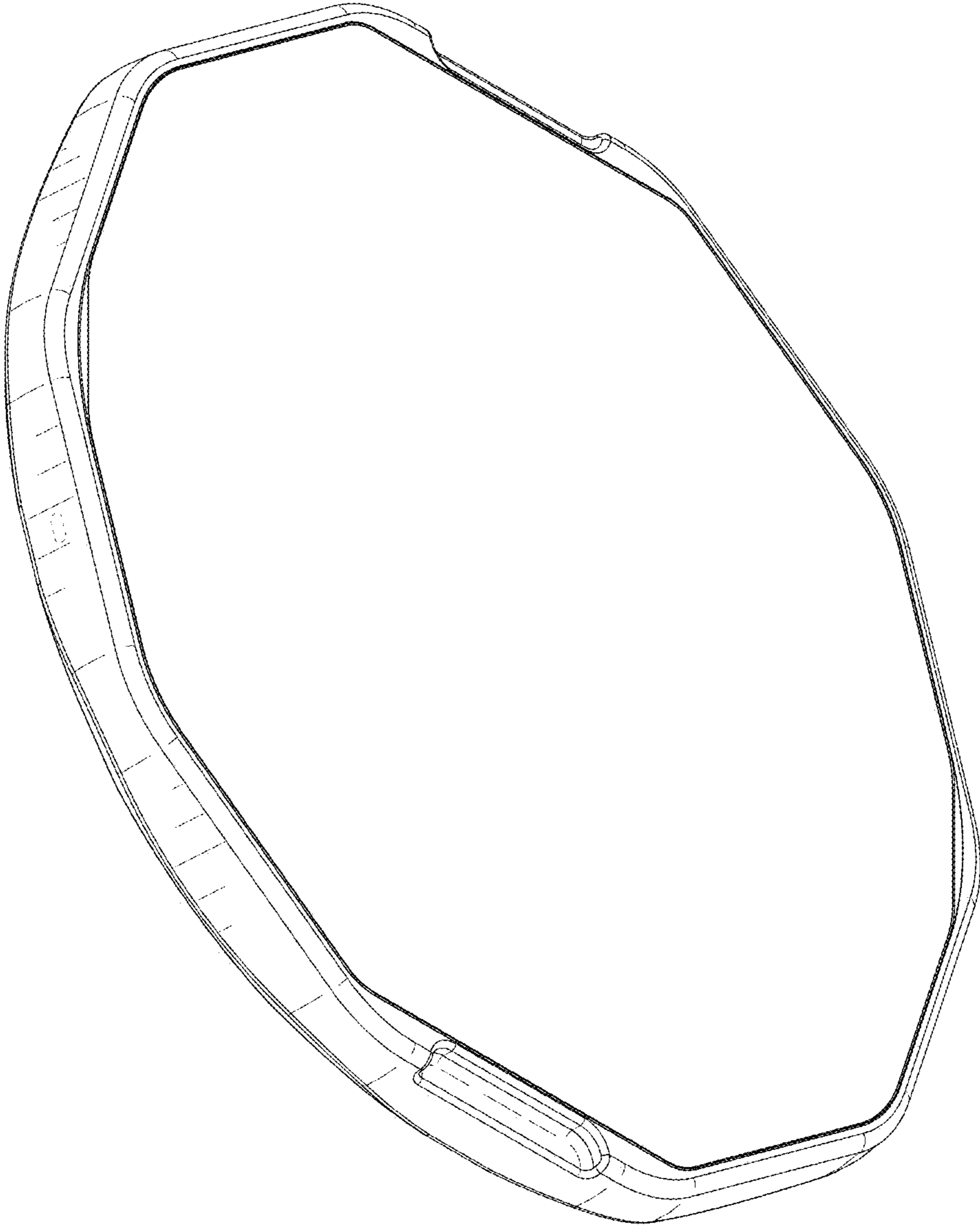


FIG. 2

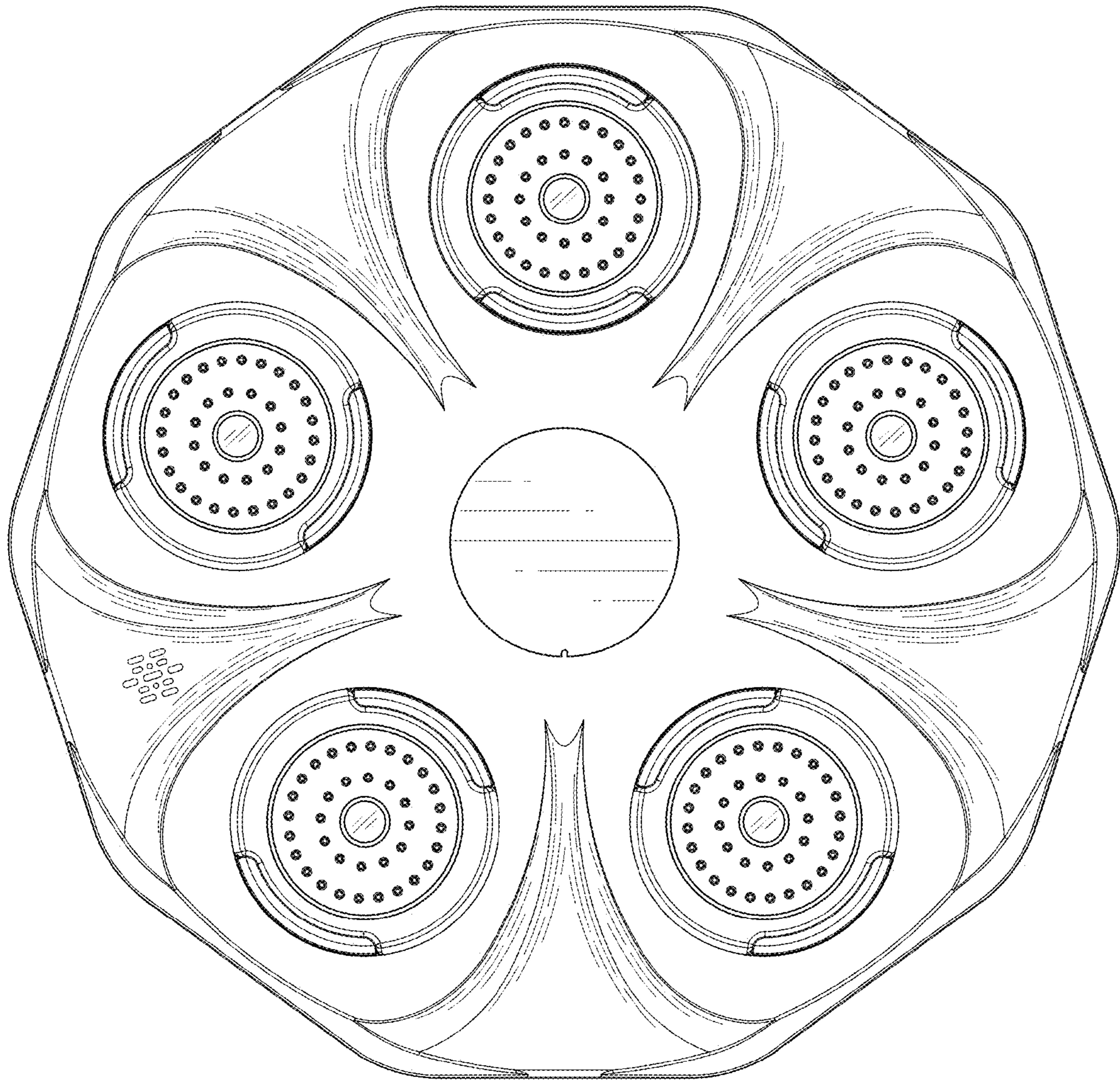


FIG. 3

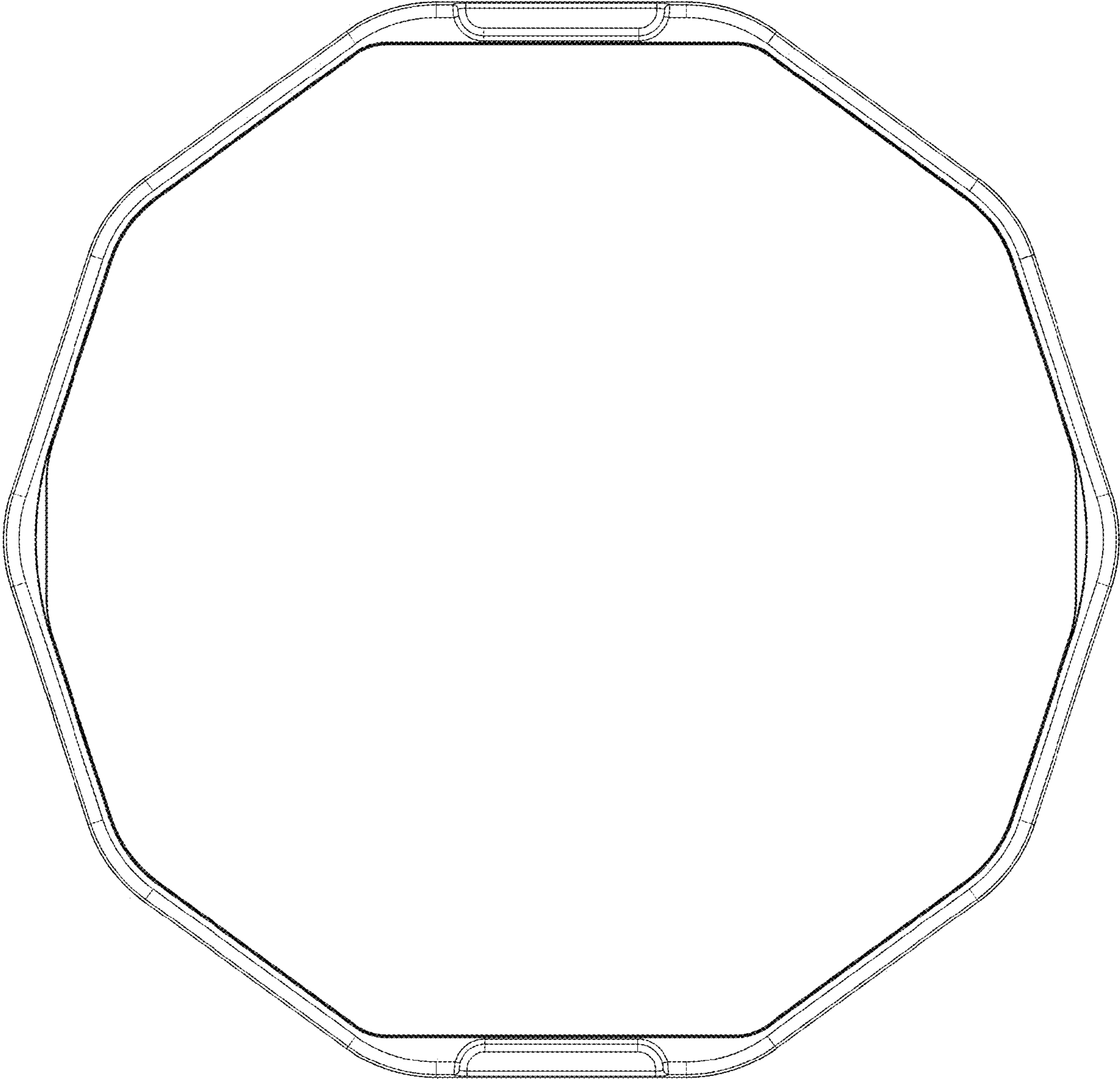


FIG. 4

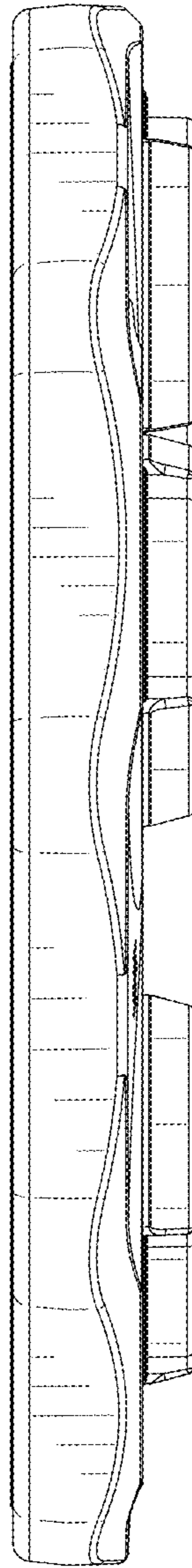


FIG. 5

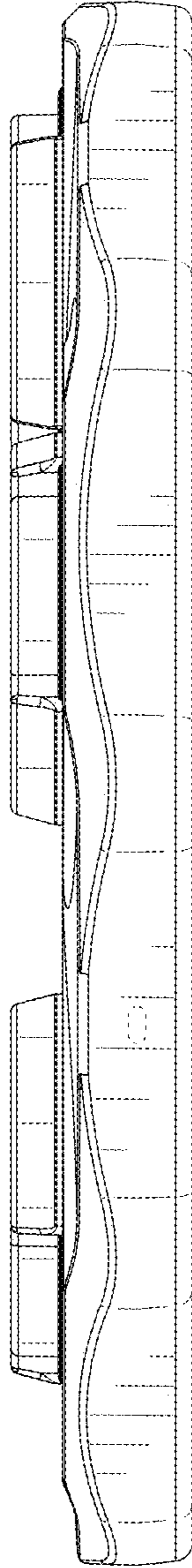


FIG. 6

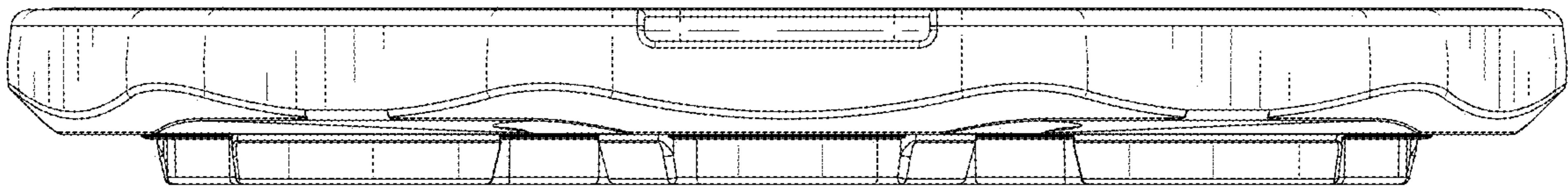


FIG. 7

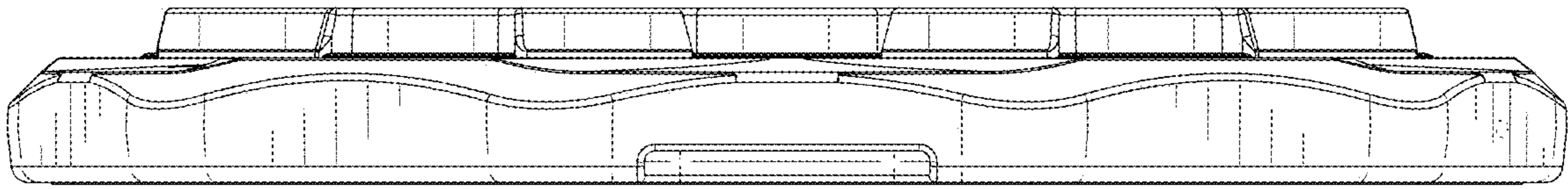


FIG. 8