



US0D1044988S

(12) **United States Design Patent** (10) **Patent No.:** **US D1,044,988 S**  
**Cai** (45) **Date of Patent:** **\*\* Oct. 1, 2024**

(54) **WATER BASEBALL**

(71) Applicant: **Xuwei Cai**, Shantou (CN)

(72) Inventor: **Xuwei Cai**, Shantou (CN)

(\*\*) Term: **15 Years**

(21) Appl. No.: **29/946,271**

(22) Filed: **Jun. 7, 2024**

(30) **Foreign Application Priority Data**

May 28, 2024 (CN) ..... 202430319314.2

(51) **LOC (14) Cl.** ..... **21-02**

(52) **U.S. Cl.**  
USPC ..... **D21/780**

(58) **Field of Classification Search**  
USPC ..... D21/780, 315, 356, 801  
See application file for complete search history.

(56) **References Cited**

**U.S. PATENT DOCUMENTS**

D410,715 S	6/1999	Cramton	
D415,805 S	10/1999	Wygonik	
D467,494 S *	12/2002	Udwin	D9/415
D820,363 S *	6/2018	Su	D21/717
D827,063 S *	8/2018	Su	D21/717
D936,163 S *	11/2021	Ferrari	D21/717
2004/0214664 A1 *	10/2004	Marra	A63B 69/0002 473/422
2006/0264273 A1 *	11/2006	Liao	A63B 69/0075 473/417
2016/0303450 A1 *	10/2016	Holland	A63B 69/0075
2016/0325151 A1 *	11/2016	Coyne	A63B 69/0002
2017/0368436 A1 *	12/2017	Burrell	A63B 69/0075

**OTHER PUBLICATIONS**

Liberry adjustable tball, Sep. 5, 2022 online, retrieved Jul. 11, 2024.  
Retrieved from the internet, <https://www.amazon.com/Adjustable->

T-Ball-Toddlers-Baseball-Weighted/dp/B097DCCKPT?th=1 (Year: 2022).\*

Banzi Splash posted Nov. 13, 2022 online, retrieved Jul. 16, 2024. Retrieved from the internet, [https://www.amazon.com/BANZAI-Baseball-Children-Backyard-Practice/dp/B0BMB8B5KY/ref=sr\\_1\\_28](https://www.amazon.com/BANZAI-Baseball-Children-Backyard-Practice/dp/B0BMB8B5KY/ref=sr_1_28) (Year: 2022).\*

\* cited by examiner

*Primary Examiner* — George D. Kirschbaum

*Assistant Examiner* — Patricia K. Beard

(74) *Attorney, Agent, or Firm* — Edward Darius Robinson

(57) **CLAIM**

The ornamental design for a water baseball, as shown and described.

**DESCRIPTION**

FIG. 1 is a front, right and top perspective view of a water baseball, showing my design.

FIG. 2 is a rear, left and bottom perspective view thereof.

FIG. 3 is a front elevation view thereof.

FIG. 4 is a rear elevation view thereof.

FIG. 5 is a left side elevation view thereof.

FIG. 6 is a right side elevation view thereof.

FIG. 7 is a top plan view thereof.

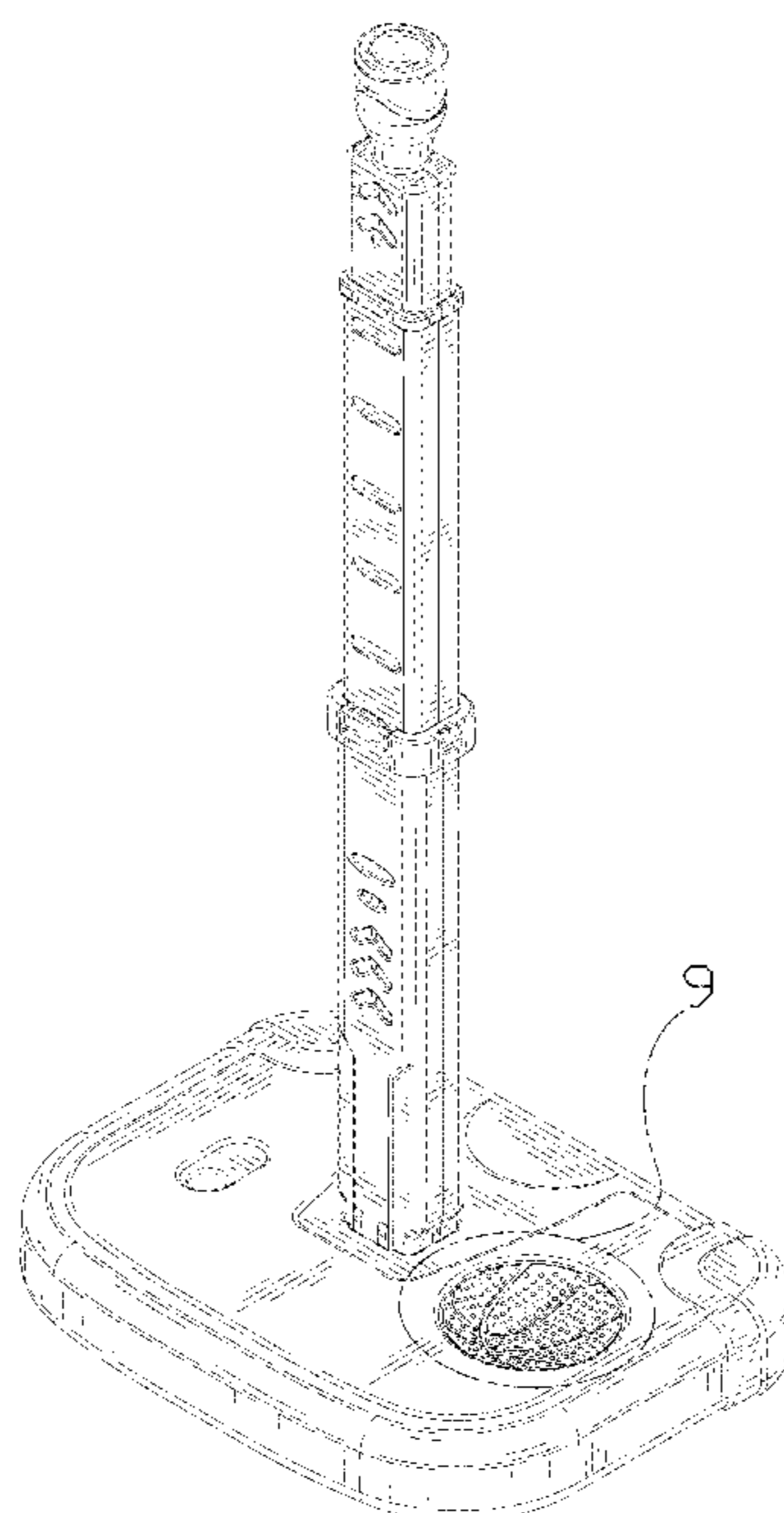
FIG. 8 is a bottom plan view thereof; and,

FIG. 9 is an enlarged view of detail 9 in FIG. 1.

The dashed broken lines depict portions of the water baseball that form no part of the claimed design.

The dot-dash broken lines in FIGS. 1 and 9 depict the boundaries of the enlargements and form no part of the claimed design.

**1 Claim, 9 Drawing Sheets**



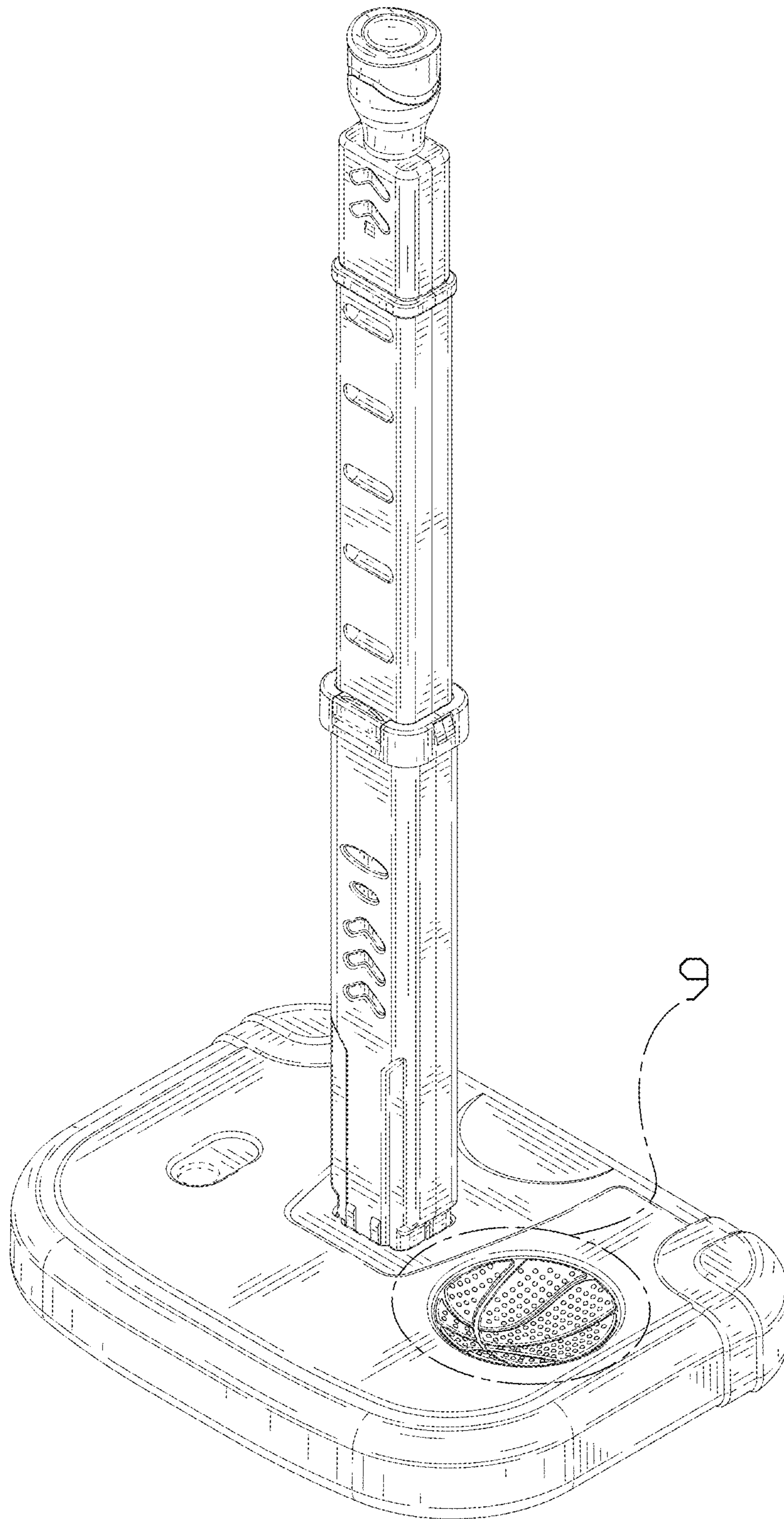


FIG. 1

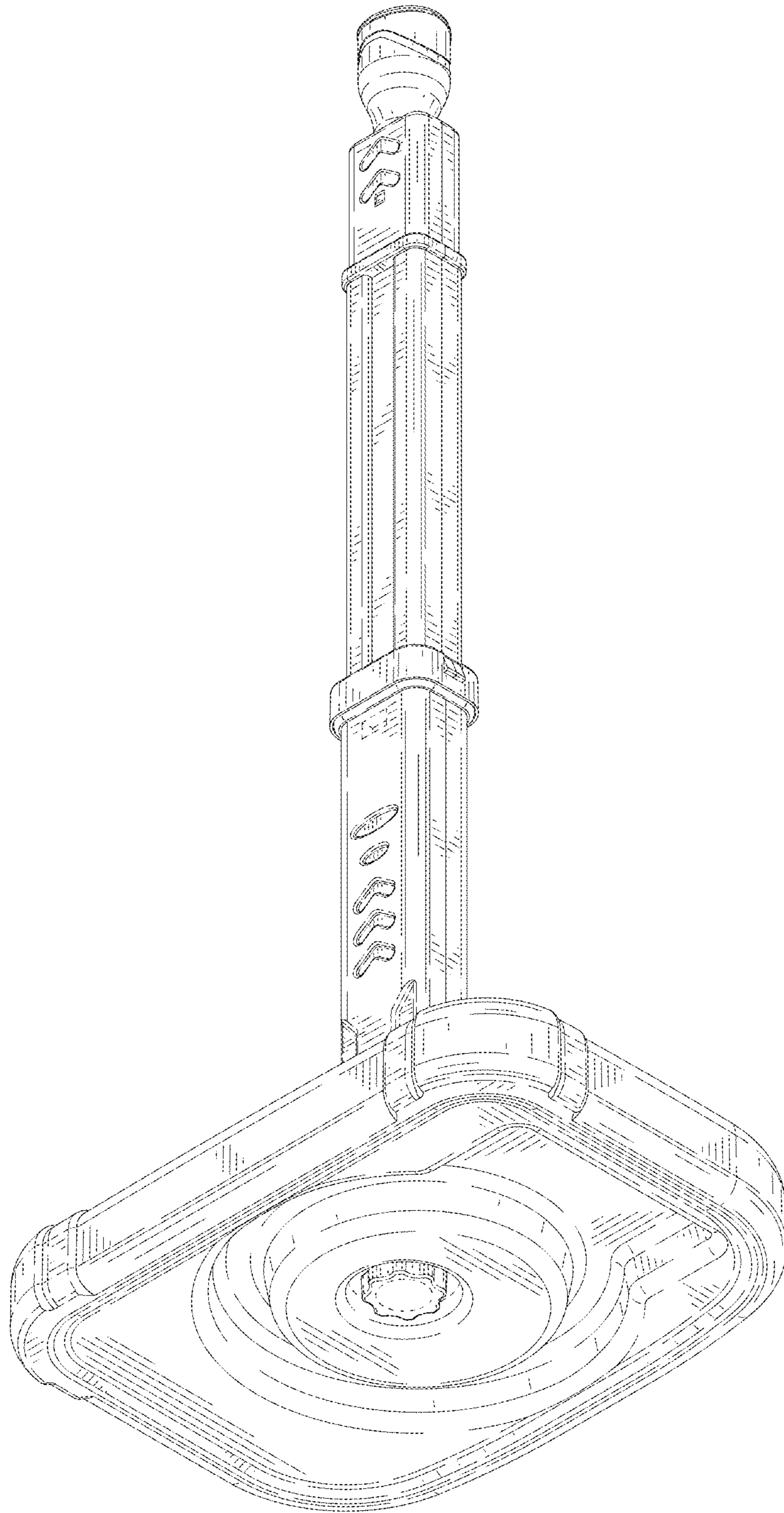


FIG. 2



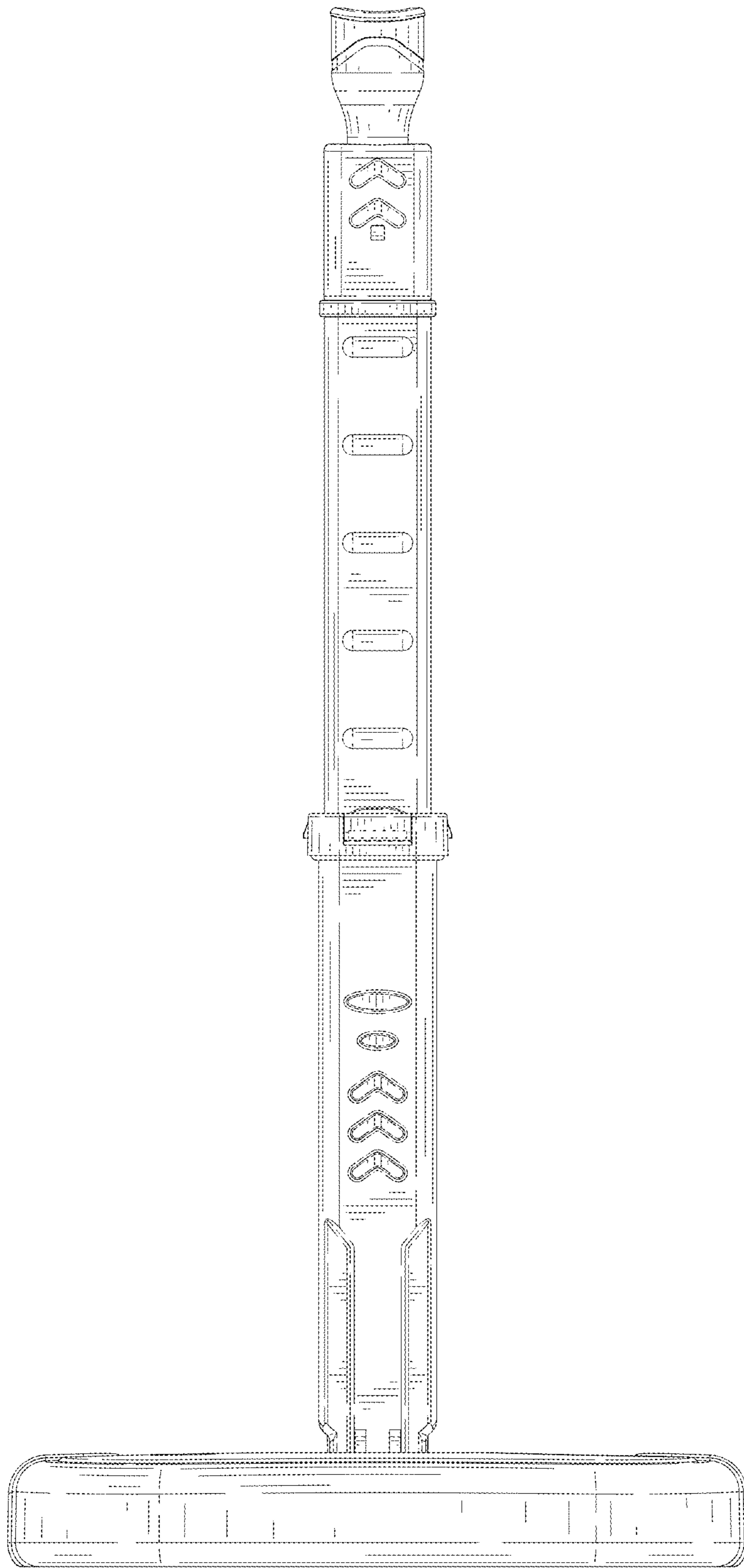


FIG. 3

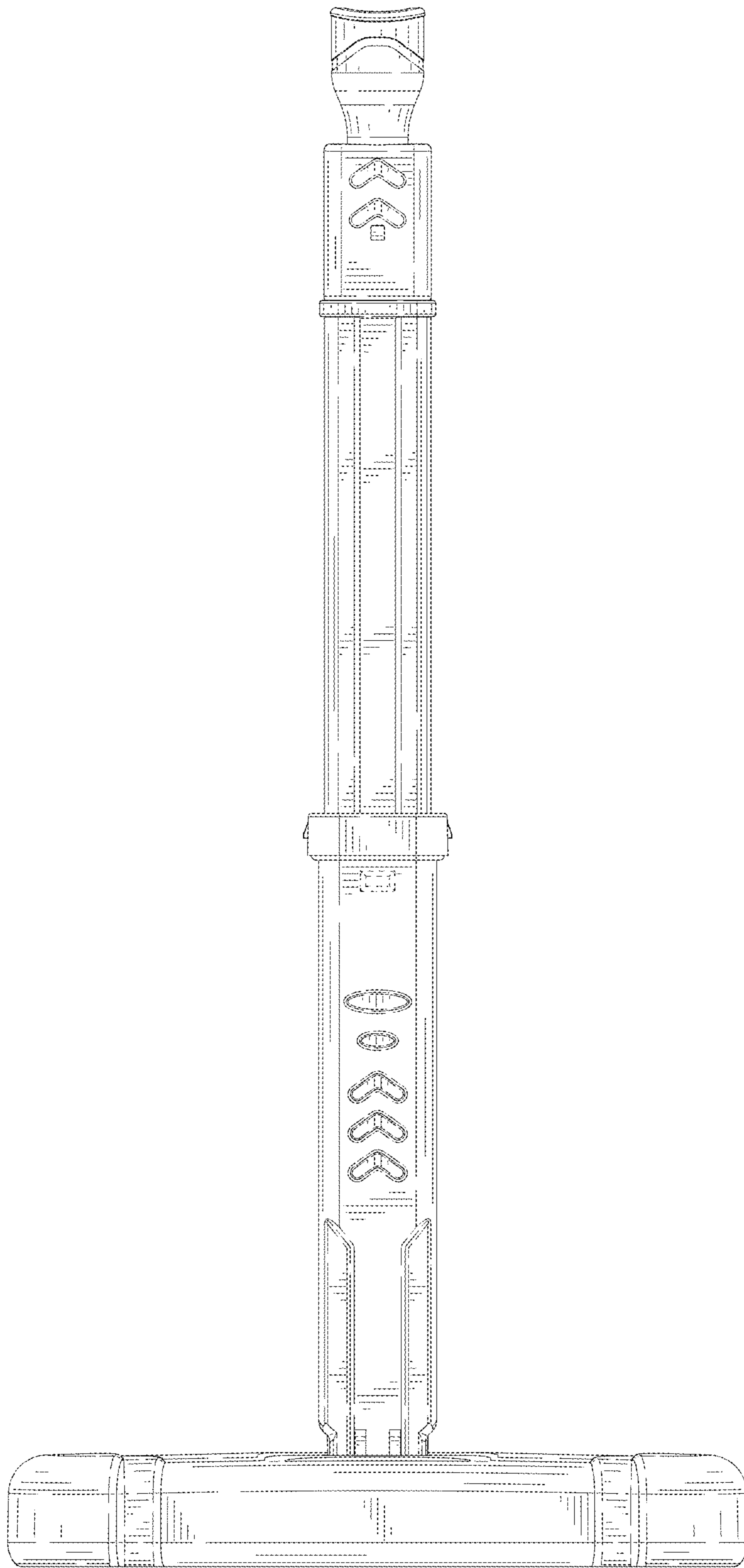


FIG. 4

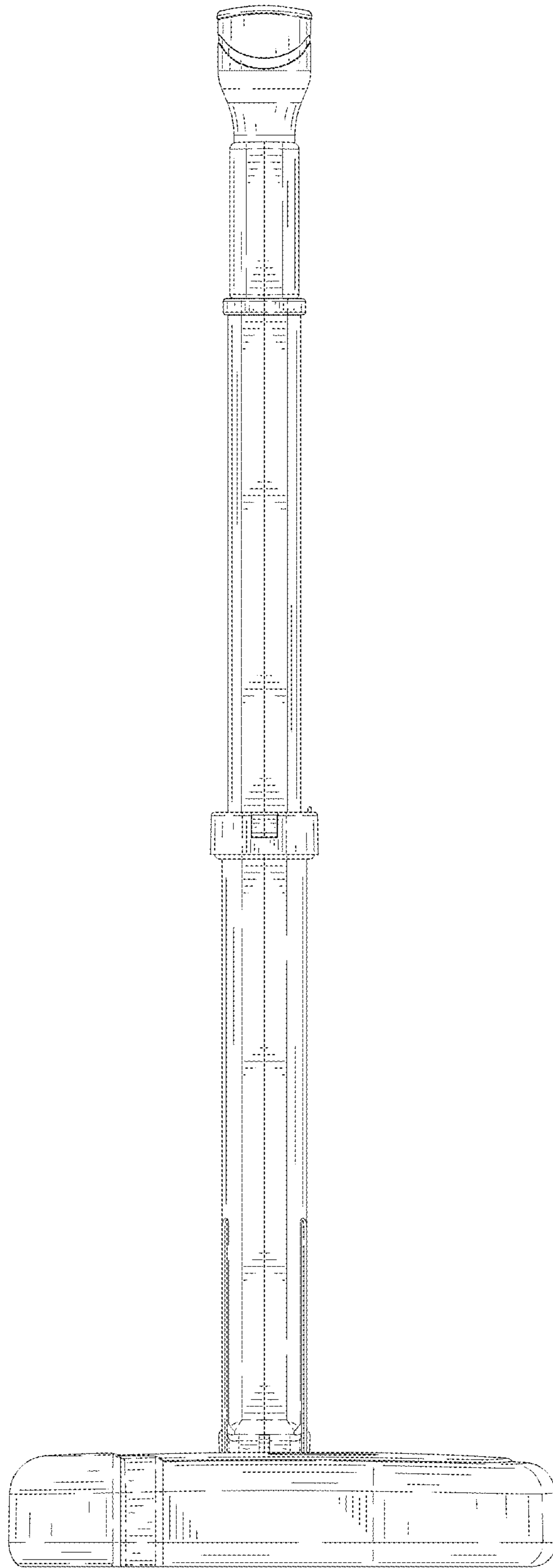


FIG. 5

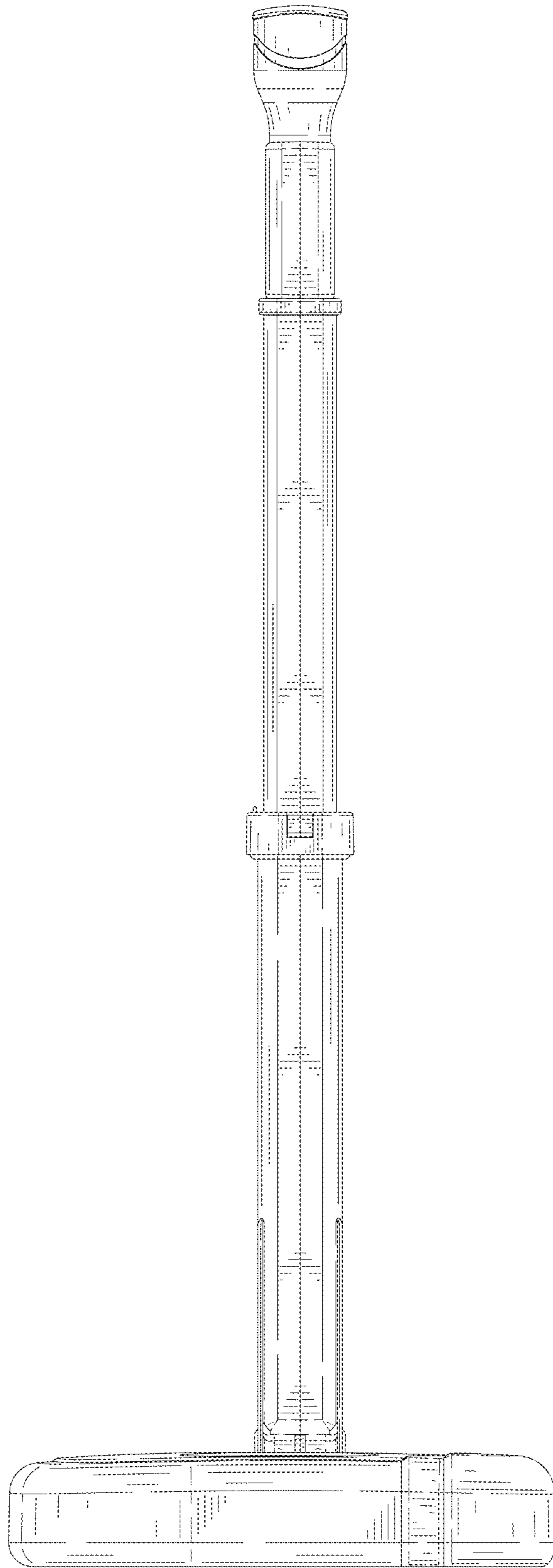


FIG. 6

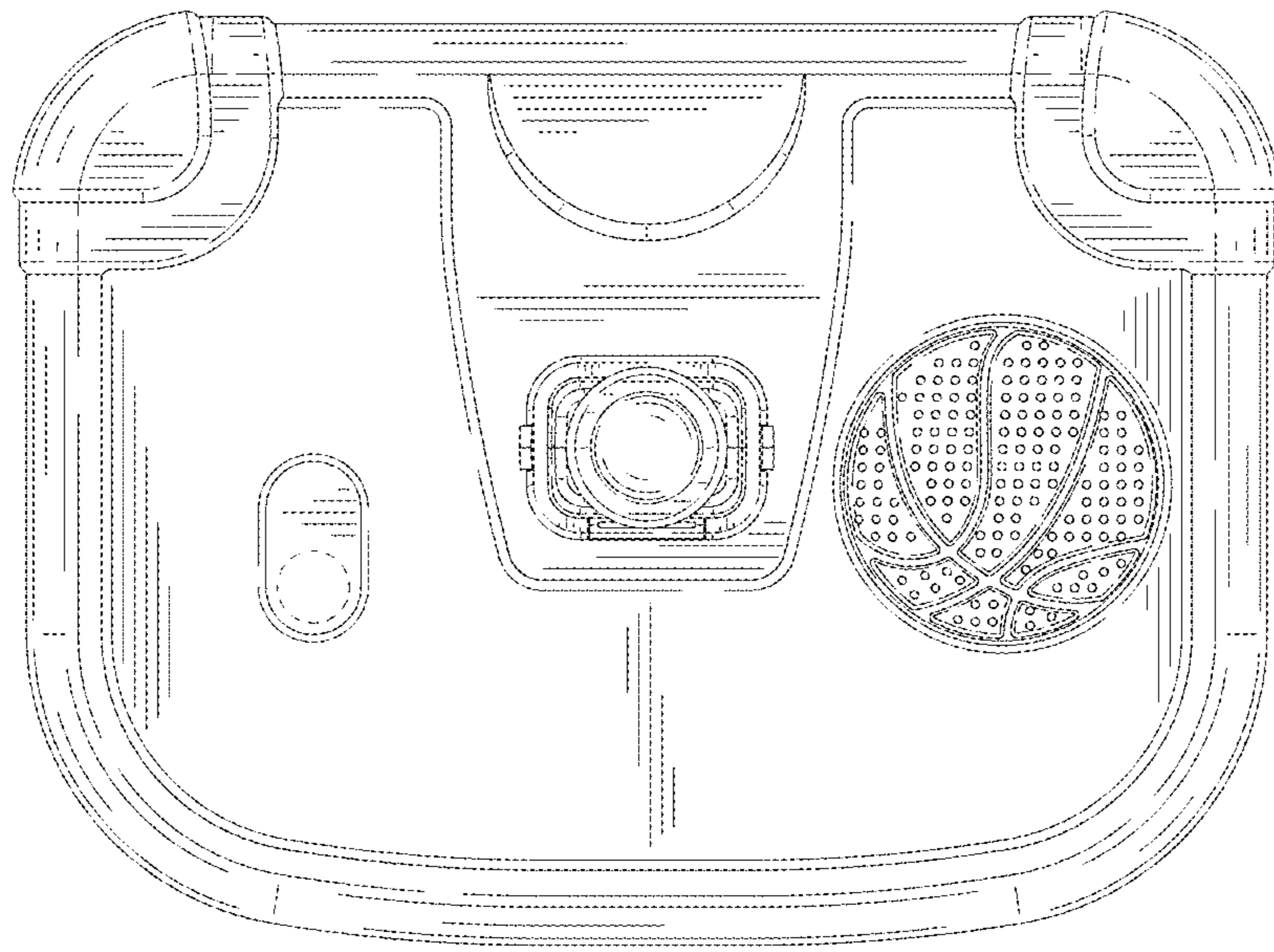


FIG. 7



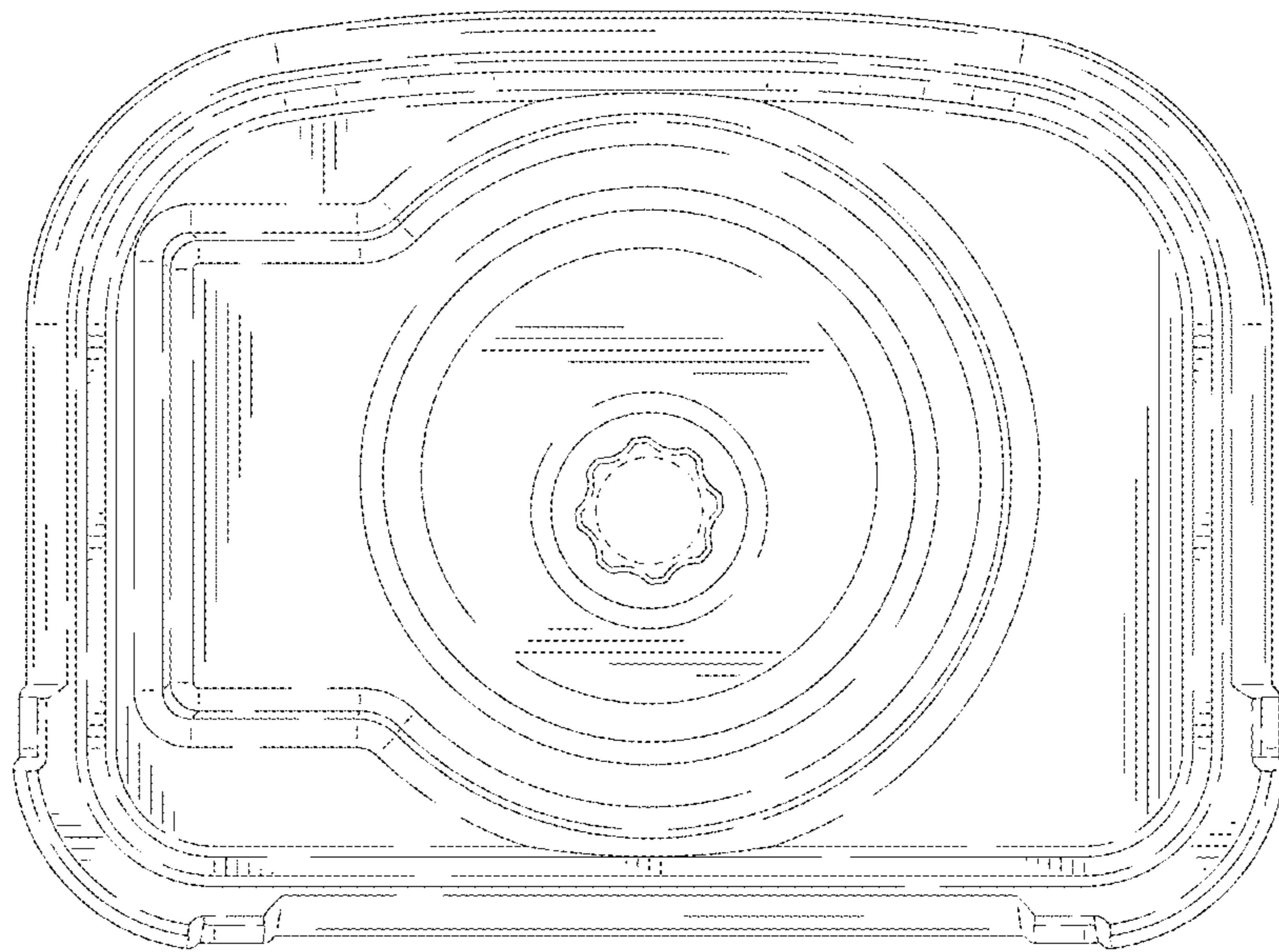


FIG. 8

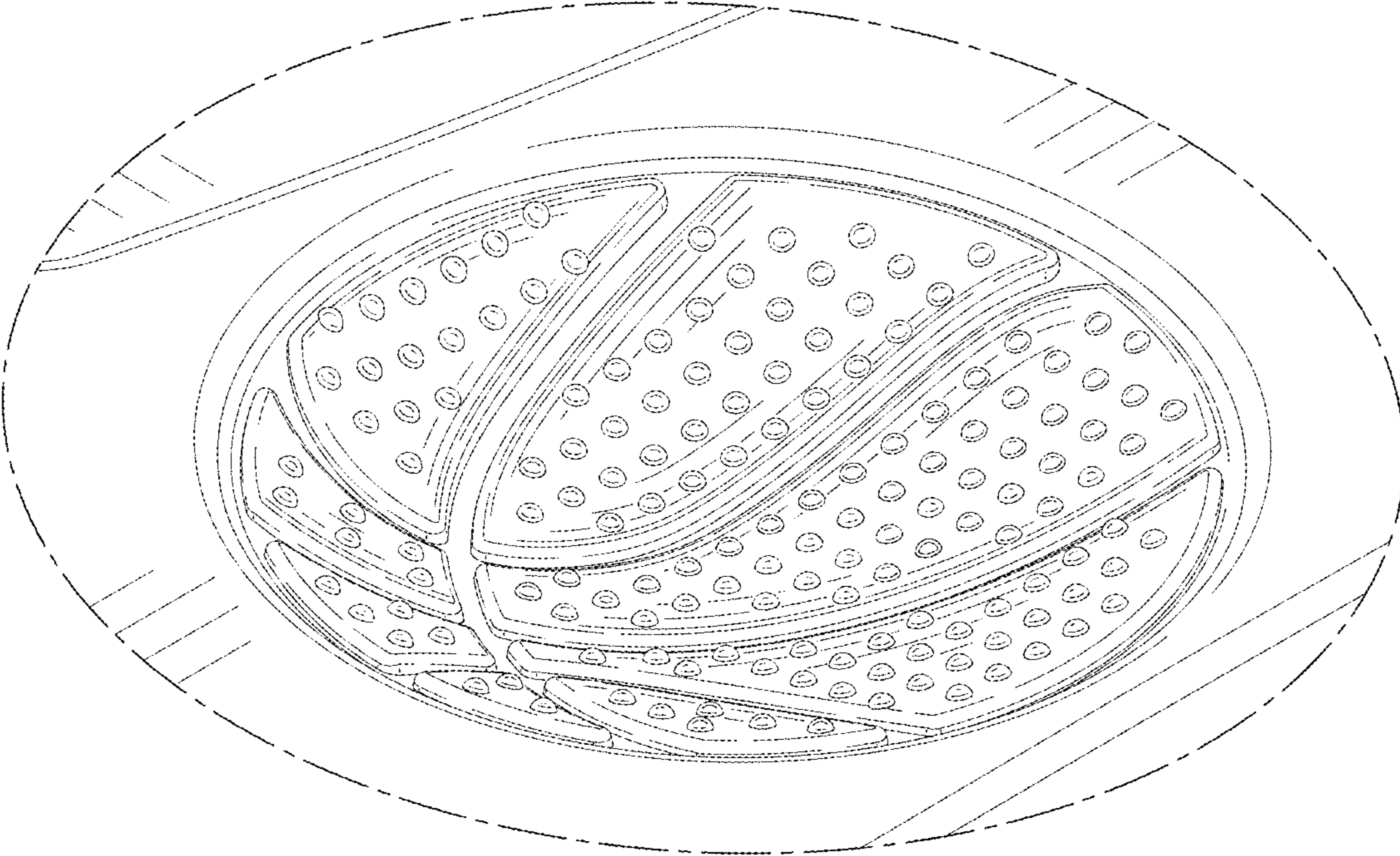


FIG. 9