



US0D1044987S

(12) **United States Design Patent** (10) **Patent No.:** **US D1,044,987 S**
Cai (45) **Date of Patent:** **** Oct. 1, 2024**

(54) **BASEBALL TOY SET**

(71) Applicant: **Xuewei Cai**, Shantou (CN)

(72) Inventor: **Xuewei Cai**, Shantou (CN)

(**) Term: **15 Years**

(21) Appl. No.: **29/946,267**

(22) Filed: **Jun. 7, 2024**

(30) **Foreign Application Priority Data**

May 27, 2024 (CN) 202430315914.1

(51) **LOC (14) Cl.** **21-02**

(52) **U.S. Cl.**
USPC **D21/780**

(58) **Field of Classification Search**
USPC D21/780, 315, 356, 801
CPC A63B 69/0002; A63B 2069/0008; A63B
69/00; A63B 69/0075
See application file for complete search history.

(56) **References Cited**

U.S. PATENT DOCUMENTS

| | | | |
|-------------------|---------|--------------|-------------------------|
| D443,662 S | 6/2001 | Udwin et al. | |
| D467,494 S * | 12/2002 | Udwin | D9/415 |
| D810,214 S | 2/2018 | Su | |
| D820,363 S * | 6/2018 | Su | D21/717 |
| D827,063 S * | 8/2018 | Su | D21/717 |
| D936,163 S * | 11/2021 | Ferrari | D21/717 |
| 2004/0214664 A1 * | 10/2004 | Marra | A63B 69/0002 473/422 |
| 2006/0264273 A1 * | 11/2006 | Liao | A63B 69/0075 473/417 |
| 2016/0303450 A1 * | 10/2016 | Holland | A63B 69/0075 |
| 2016/0325151 A1 * | 11/2016 | Coyne | A63B 69/0002 |
| 2017/0368436 A1 * | 12/2017 | Burrell | A63B 69/0075 |

OTHER PUBLICATIONS

T ball stand posted May 24, 2023 online, retrieved Jul. 10, 2024.
Retrieved from internet, <https://www.amazon.com/Adjustable->

Toddlers-Batting-Baseball-Outdoor/dp/B0C5VPHVVP/ref=asc_df_B0C5VPHVVP/ (Year: 2023).*

* cited by examiner

Primary Examiner — George D. Kirschbaum

Assistant Examiner — Patricia K. Beard

(74) *Attorney, Agent, or Firm* — Edward Darius Robinson

(57) **CLAIM**

The ornamental design for a baseball toy set, as shown and described.

DESCRIPTION

FIG. 1 is a front, right and top perspective view of a baseball toy set, showing my design.

FIG. 2 is a front, right and top perspective view of a toy baseball bat of the baseball toy set in FIG. 1.

FIG. 3 is a rear, left and bottom perspective view thereof.

FIG. 4 is a front elevation view thereof.

FIG. 5 is a rear elevation view thereof.

FIG. 6 is a left side elevation view thereof.

FIG. 7 is a right side elevation view thereof.

FIG. 8 is an enlarged top plan view thereof.

FIG. 9 is an enlarged bottom plan view thereof.

FIG. 10 is a front, right and top perspective view of a toy baseball catapult of the baseball toy set in FIG. 1.

FIG. 11 is a rear, left and bottom perspective view thereof.

FIG. 12 is a front elevation view thereof.

FIG. 13 is a rear elevation view thereof.

FIG. 14 is a left side elevation view thereof.

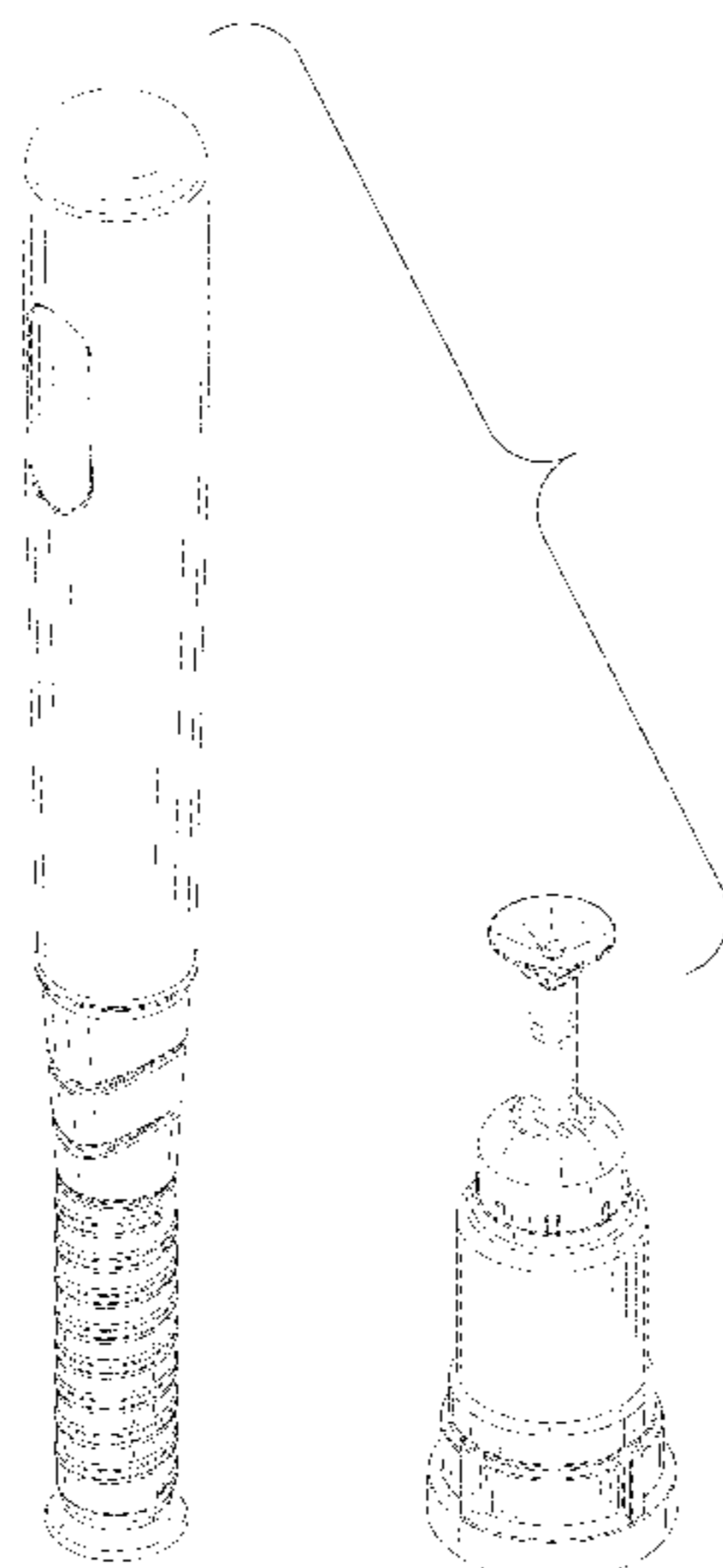
FIG. 15 is a right side elevation view thereof.

FIG. 16 is a top plan view thereof; and,

FIG. 17 is a bottom plan view thereof.

The dashed broken lines depict portions of the baseball toy set that form no part of the claimed design.

1 Claim, 17 Drawing Sheets



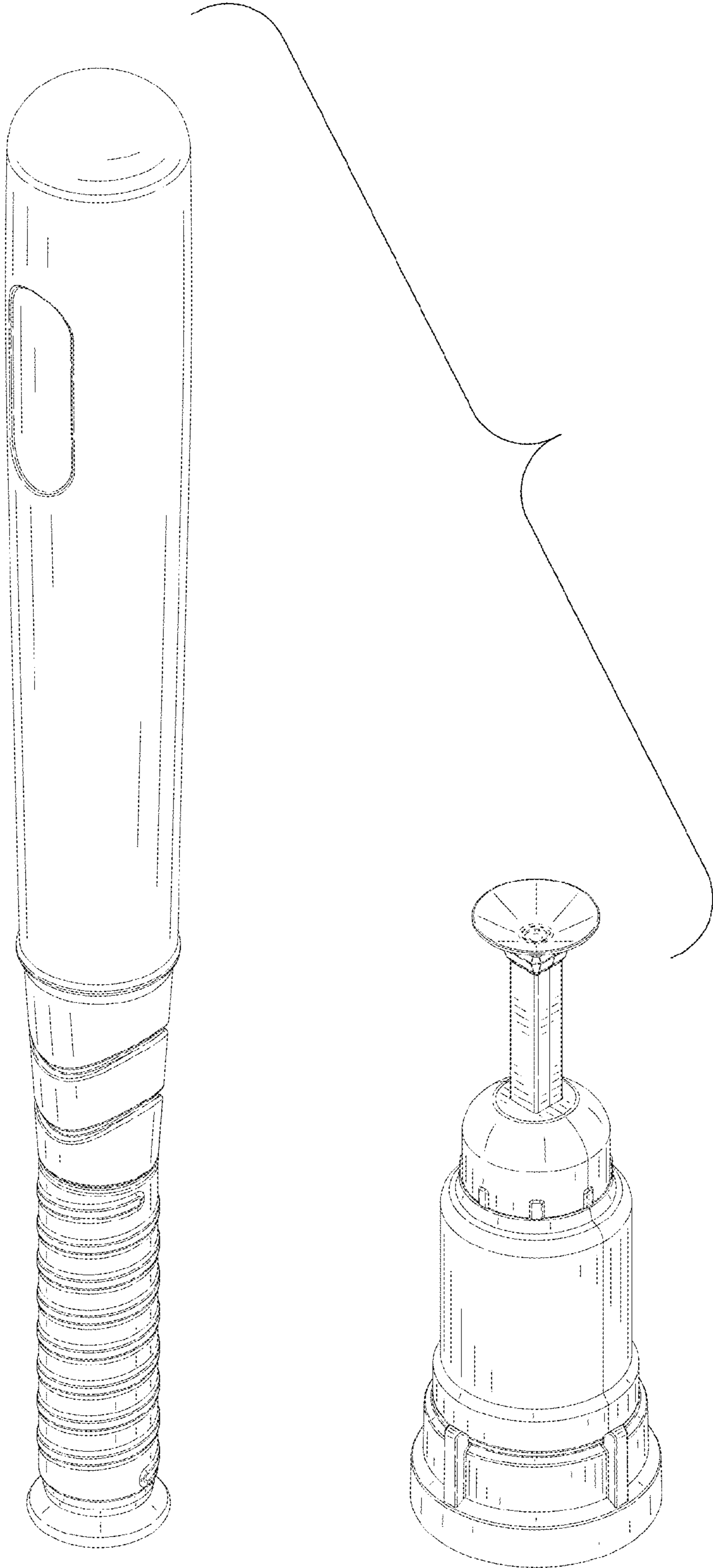


FIG. 1

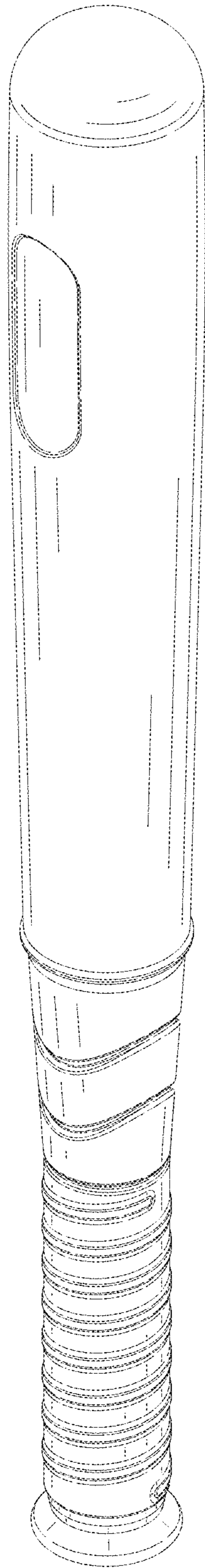


FIG. 2

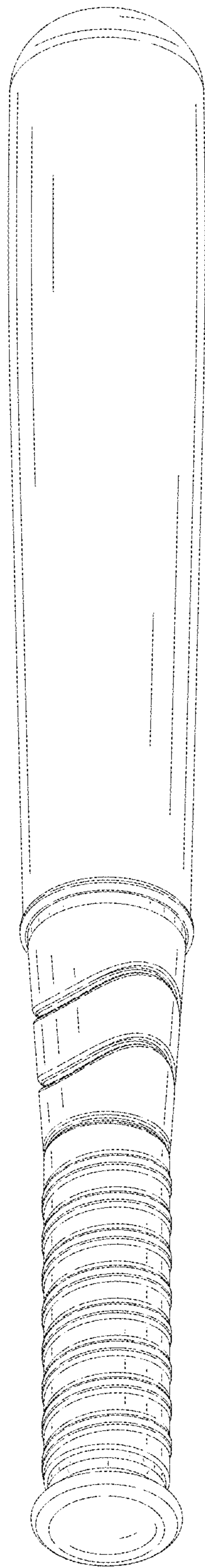


FIG. 3

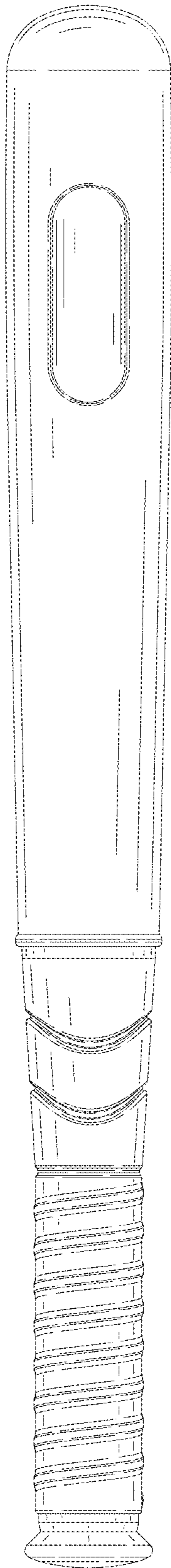


FIG. 4

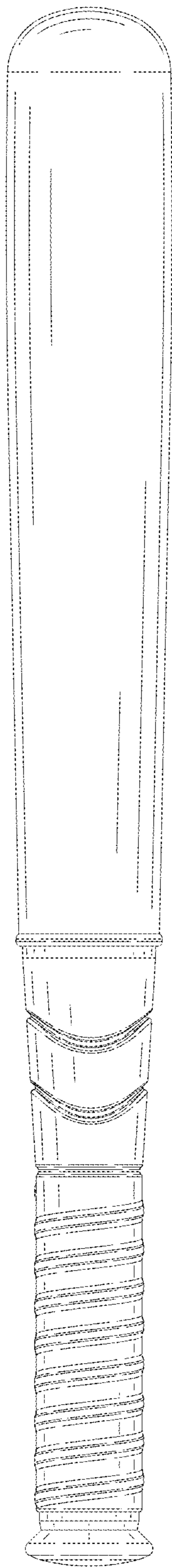


FIG. 5

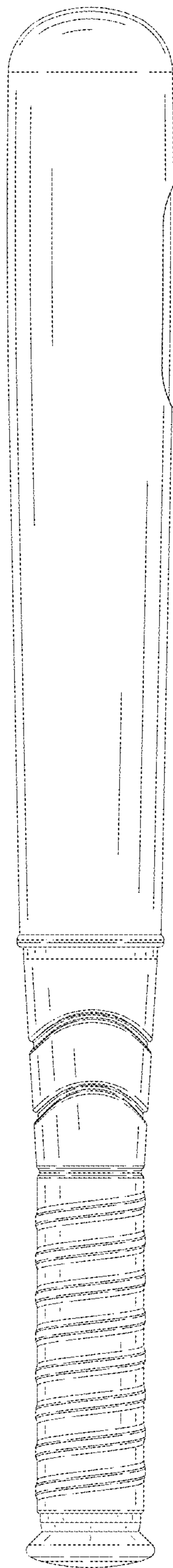


FIG. 6

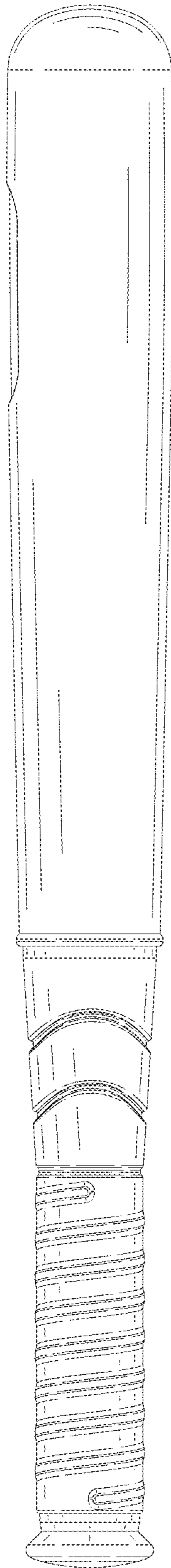


FIG. 7

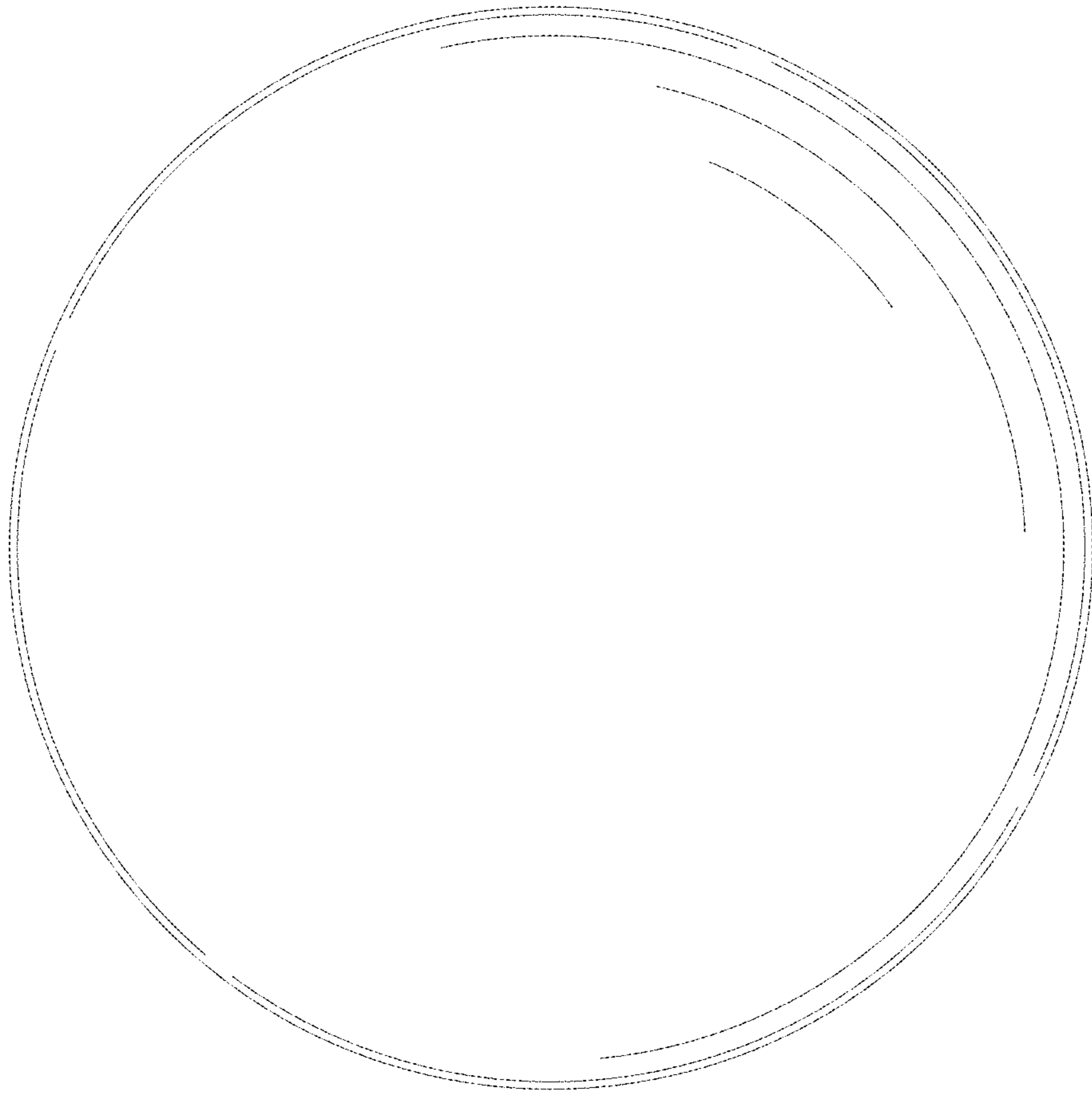


FIG. 8

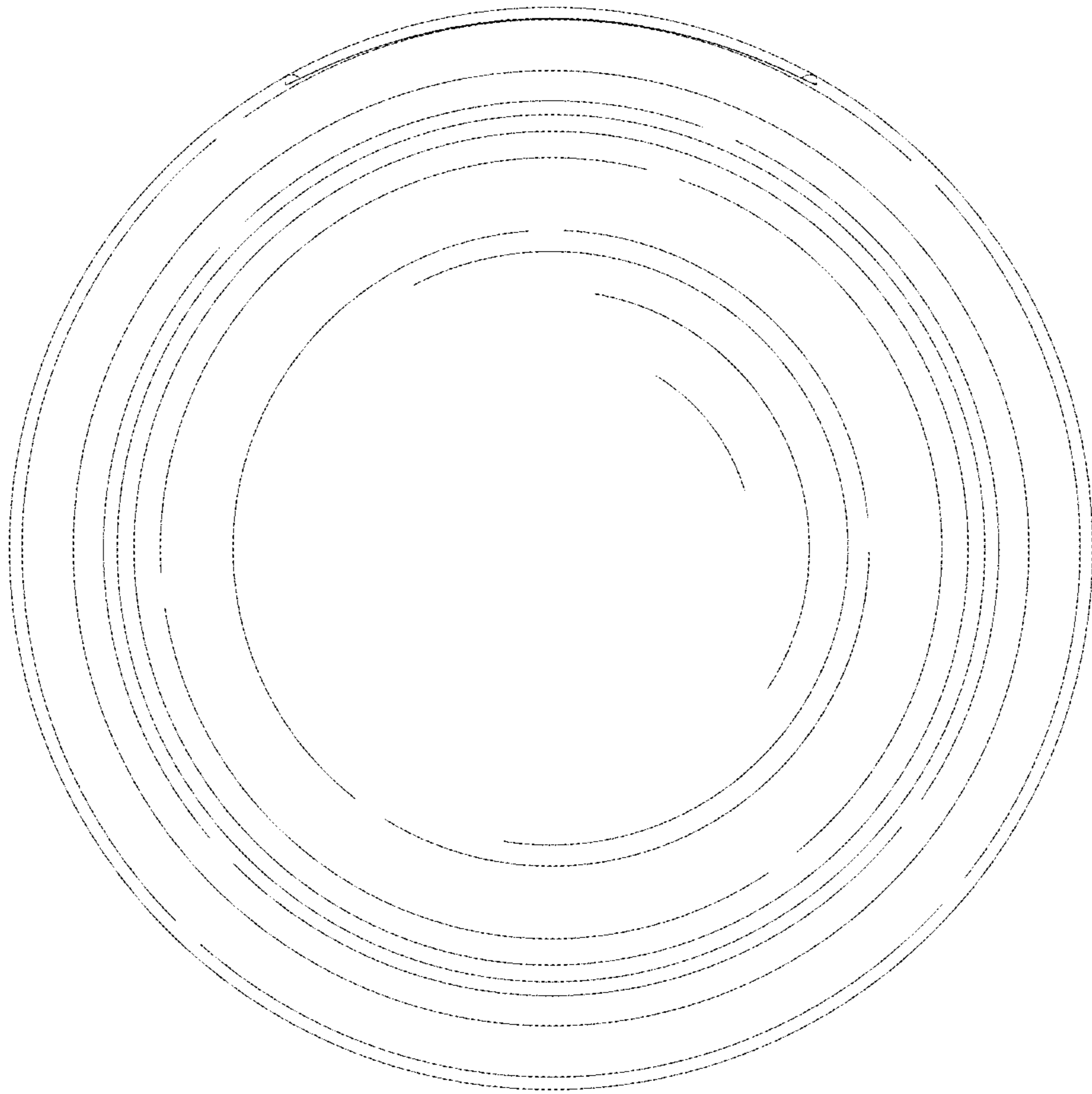


FIG. 9

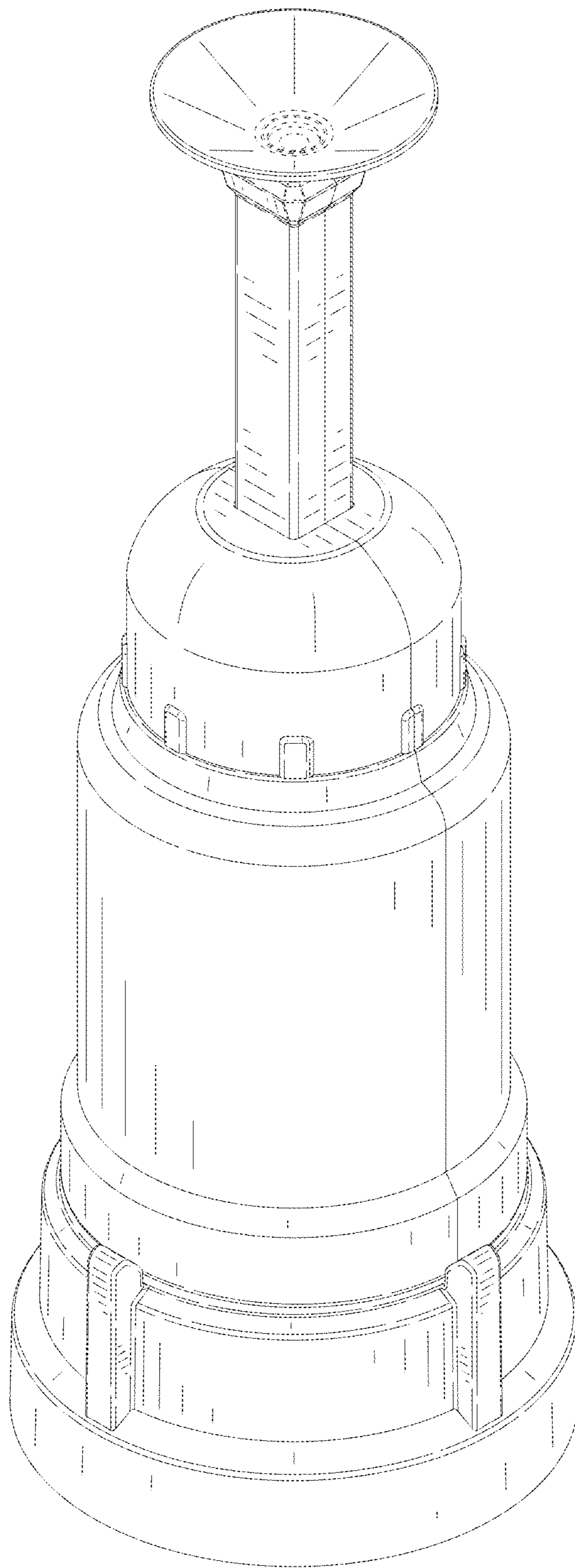


FIG. 10

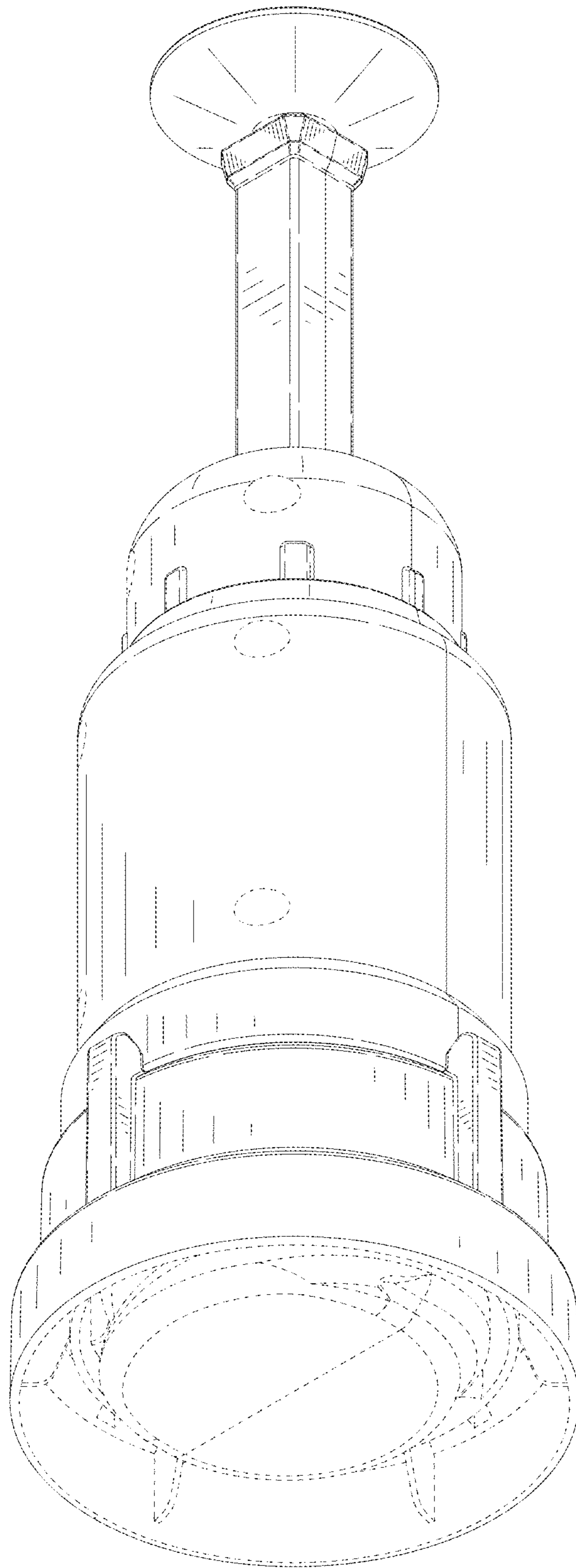


FIG. 11

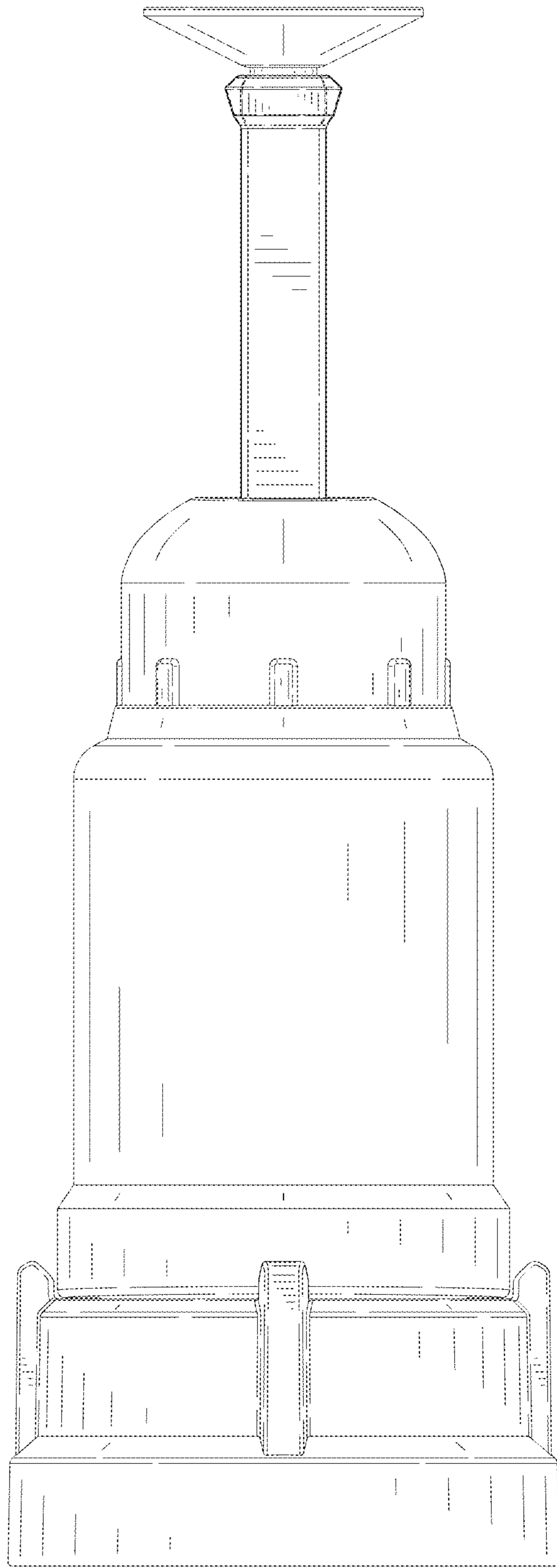


FIG. 12

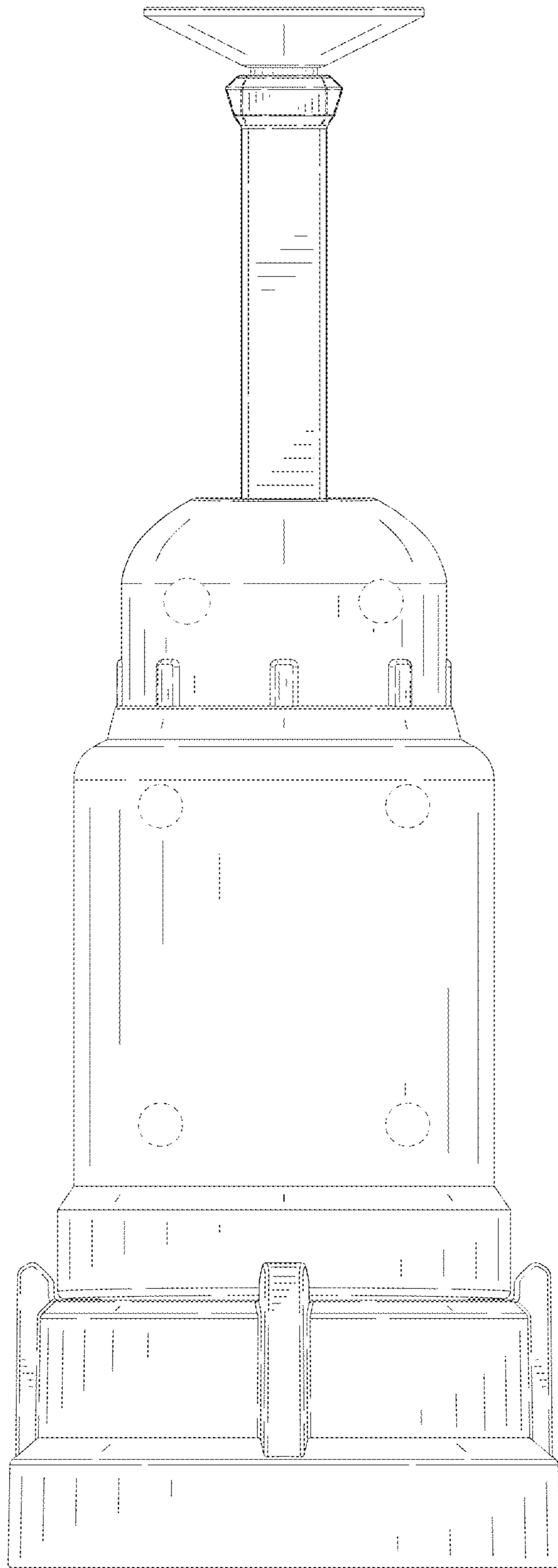


FIG. 13

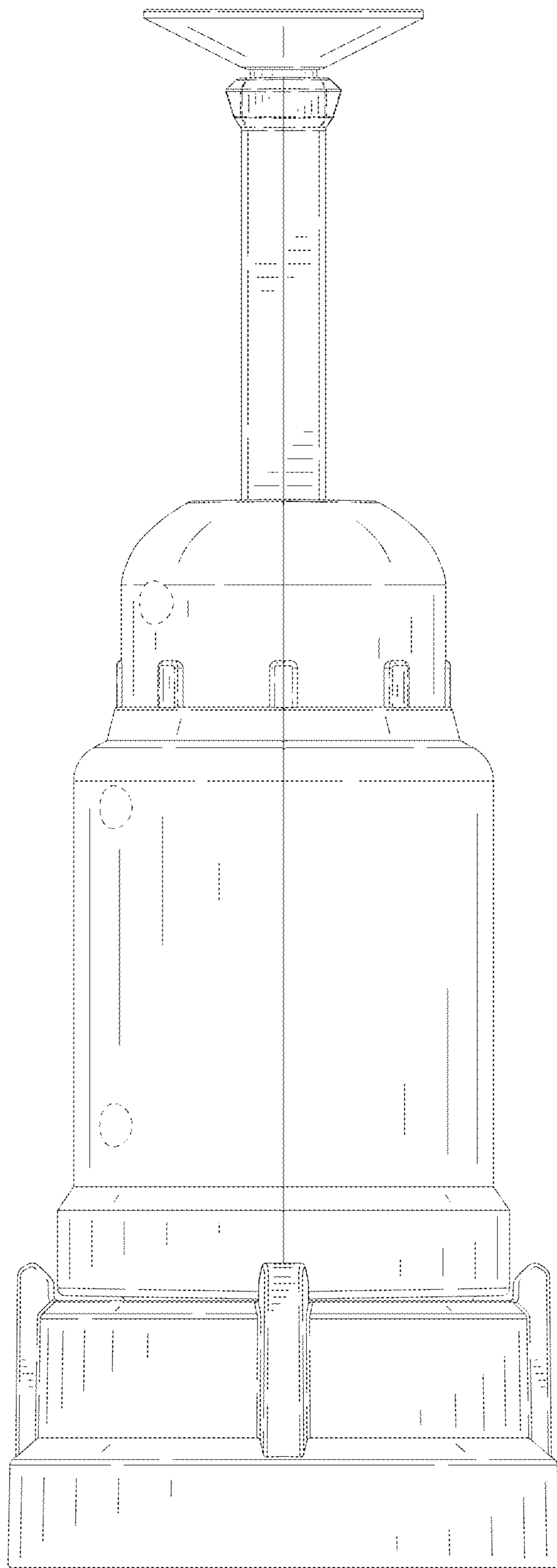


FIG. 14

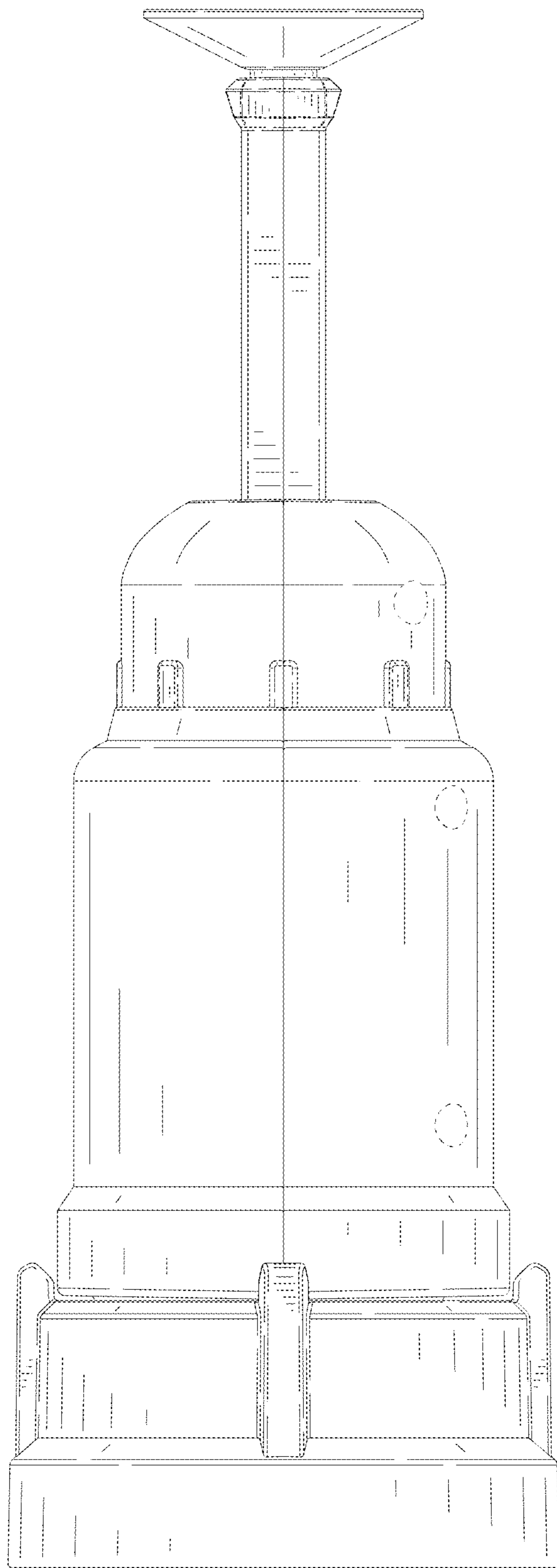


FIG. 15

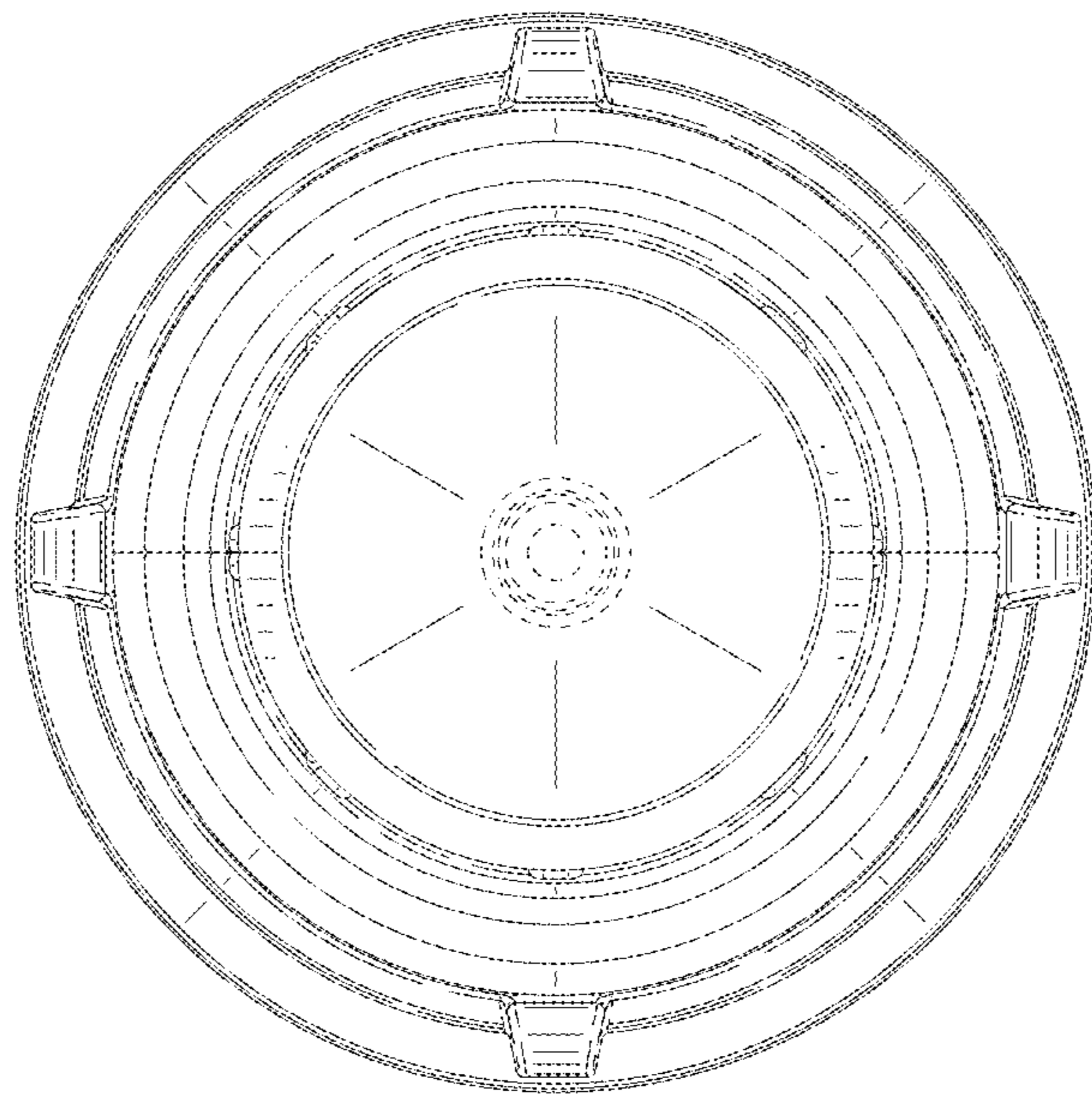


FIG. 16

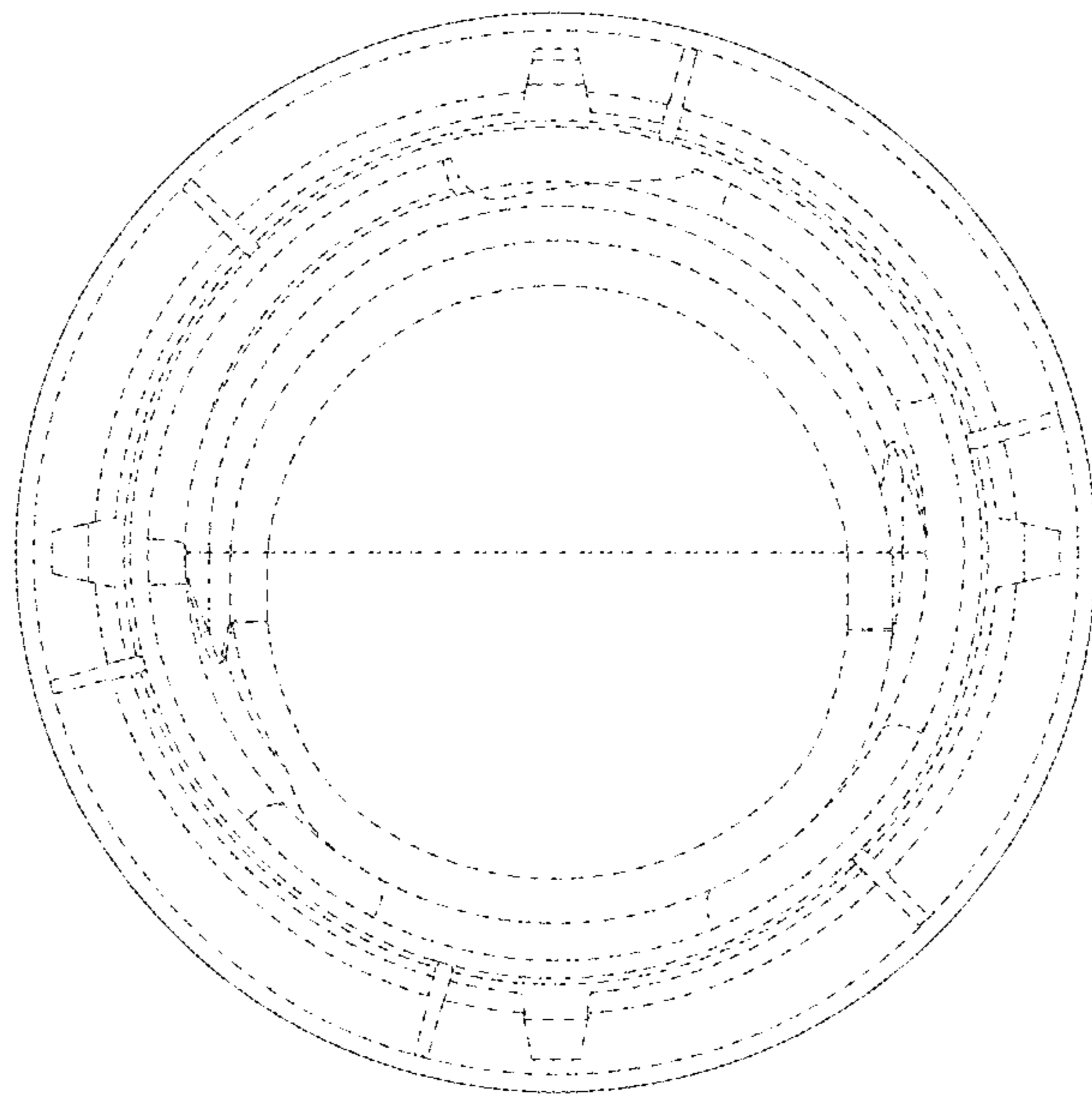


FIG. 17