



US0D1044935S

(12) **United States Design Patent** (10) **Patent No.:** **US D1,044,935 S**
Oguchi et al. (45) **Date of Patent:** **** Oct. 1, 2024**

(54) **PRINTER**

D806,790 S * 1/2018 Sato D18/50
D815,683 S * 4/2018 Tanaka D18/50
D827,021 S * 8/2018 Asano D18/50
D1,029,094 S * 5/2024 Asano D18/50

(71) Applicant: **BROTHER INDUSTRIES, LTD.**,
Nagoya (JP)

FOREIGN PATENT DOCUMENTS

(72) Inventors: **Takaaki Oguchi**, Nagoya (JP);
Masahide Asano, Nagoya (JP); **Toshiya Inada**, Nagoya (JP)

IN 286613 * 9/2017
JP D1558225 * 11/2017
JP D1768008 * 4/2024

(73) Assignee: **BROTHER INDUSTRIES, LTD.**,
Nagoya (JP)

OTHER PUBLICATIONS

(**) Term: **15 Years**

Amazon. Link: <https://www.amazon.com/dp/B0CFNF17RH/>. Oct. 23, 2023. Brother Sublimation Printer (Year: 2023).*

(21) Appl. No.: **29/899,746**

Amazon. Link: <https://www.amazon.com/Brother-MFC-J5855DW-INKvestment-printing-capabilities/dp/B09XSHJP86/>. Apr. 12, 2022. Brother MFC-J5855DW INKvestment Tank Color Inkjet All-in-One Printer. (Year: 2022).*

(22) Filed: **Aug. 11, 2023**

Amazon. Link: <https://www.amazon.com/HP-Smart-Tank-6001-Cartridge-Free/dp/B09TPZ3HLZ/>. Apr. 18, 2022. HP Smart-Tank 6001 Wireless Cartridge-Free all in one printer (Year: 2022).*

(30) **Foreign Application Priority Data**

Feb. 17, 2023 (JP) 2023-003047 D

(51) **LOC (14) Cl.** **14-02**

(52) **U.S. Cl.**
USPC **D18/50**

(58) **Field of Classification Search**
USPC D18/44-50, 53, 59, 36-41, 54-56
CPC H04N 1/00204; H04N 1/00249; H04N 1/00278; G06K 15/12; G06K 15/14; B41J 3/00; B41J 3/28; B41J 3/445; B41J 3/46
See application file for complete search history.

* cited by examiner

Primary Examiner — Lauren D McVey

(74) *Attorney, Agent, or Firm* — Oliff PLC

(56) **References Cited**

U.S. PATENT DOCUMENTS

D614,234 S * 4/2010 Ishikawa D18/55
D643,462 S * 8/2011 Yamashita D18/50
D648,377 S * 11/2011 Miyauchi D18/50
D648,379 S * 11/2011 Ishikawa D18/50
D665,015 S * 8/2012 Matsuno D18/50
D665,016 S * 8/2012 Matsuno D18/50
D682,349 S * 5/2013 Iwai D18/50
D737,895 S * 9/2015 Nanno D18/50
D743,483 S * 11/2015 Nanno D18/50

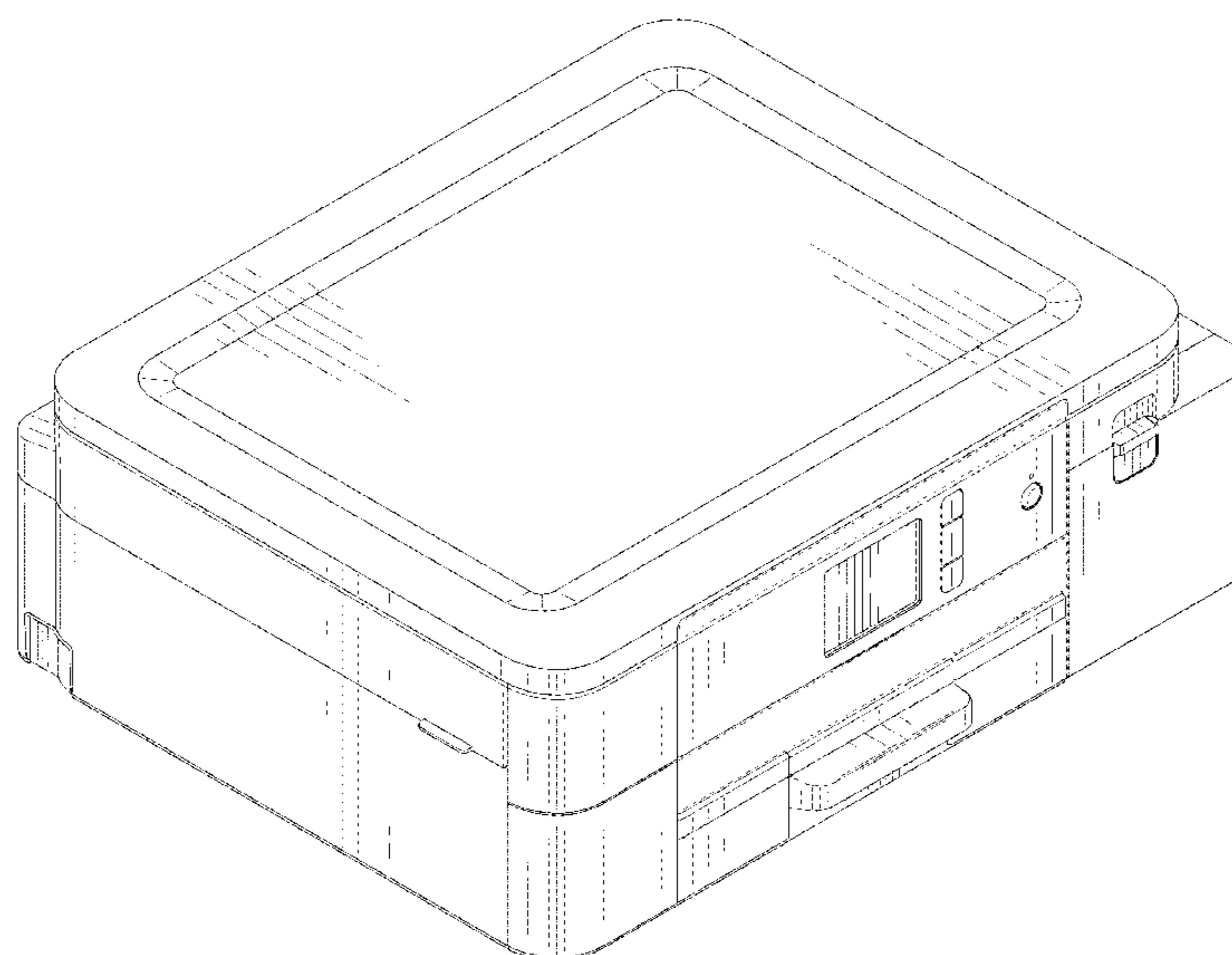
(57) **CLAIM**

The ornamental design for a printer, as shown and described.

DESCRIPTION

FIG. 1 is a perspective view of the printer;
FIG. 2 is a front elevational view thereof;
FIG. 3 is a rear elevational view thereof;
FIG. 4 is a left-side elevational view thereof;
FIG. 5 is a right-side elevational view thereof;
FIG. 6 is a top plan view thereof; and,
FIG. 7 is a bottom plan view thereof.
The evenly spaced broken lines depict unclaimed parts of the printer and form no part of the claimed design.

1 Claim, 5 Drawing Sheets



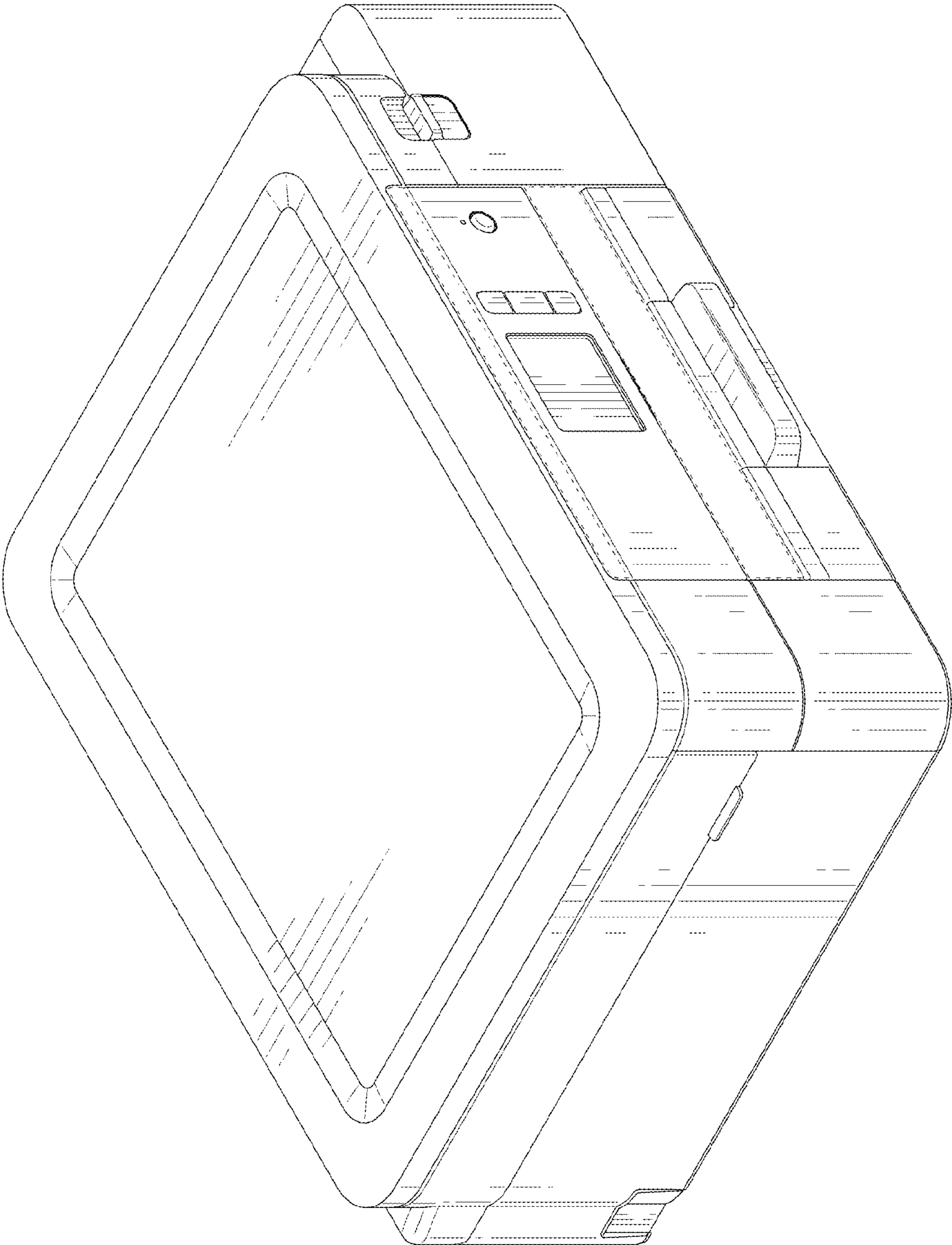


FIG. 1

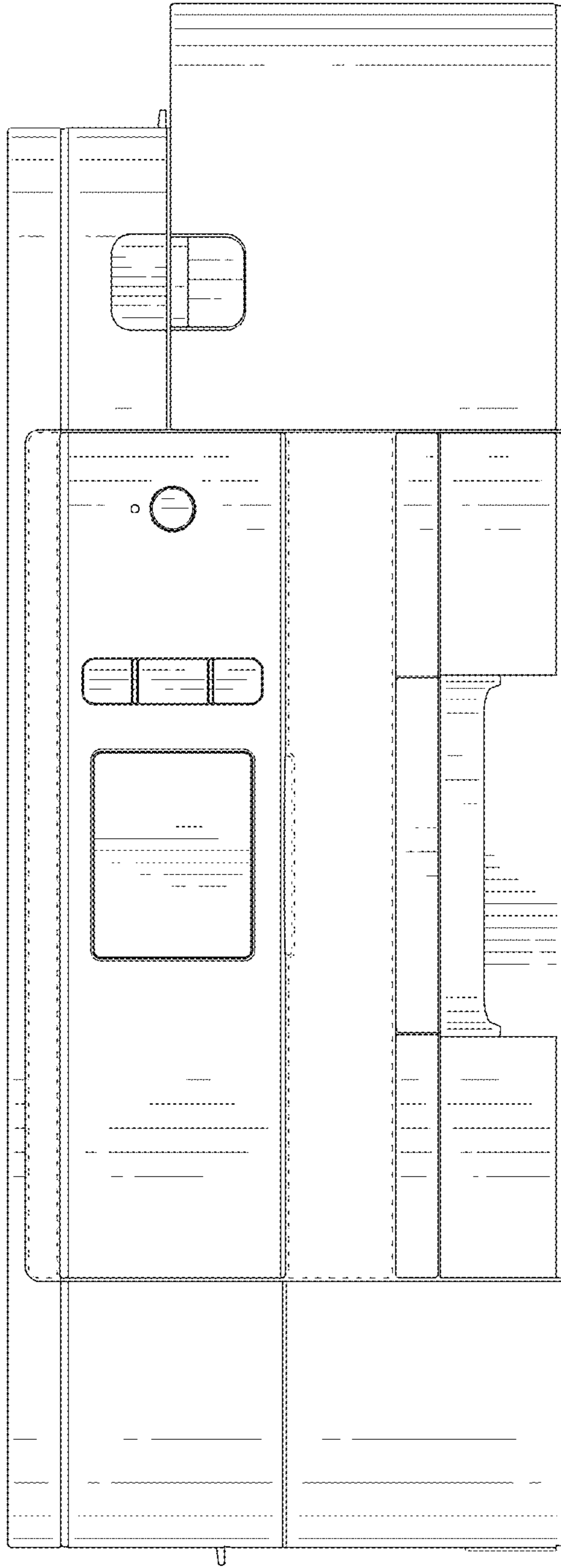


FIG. 2

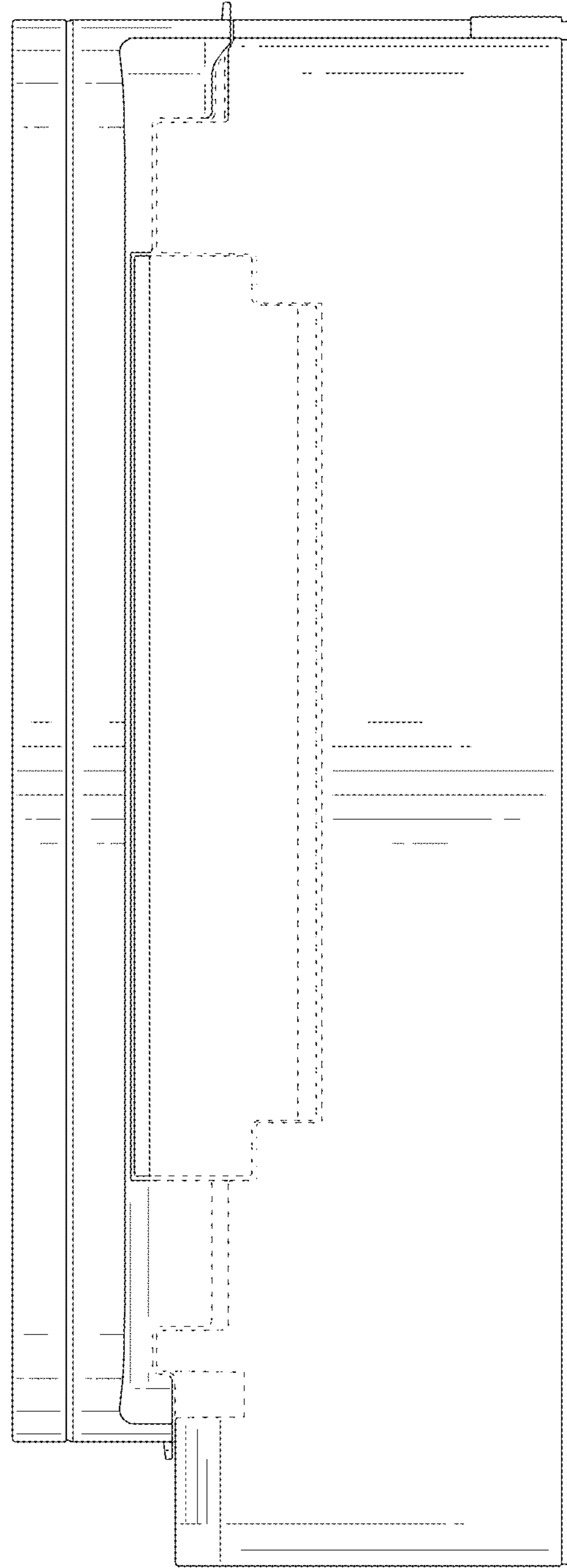


FIG. 3

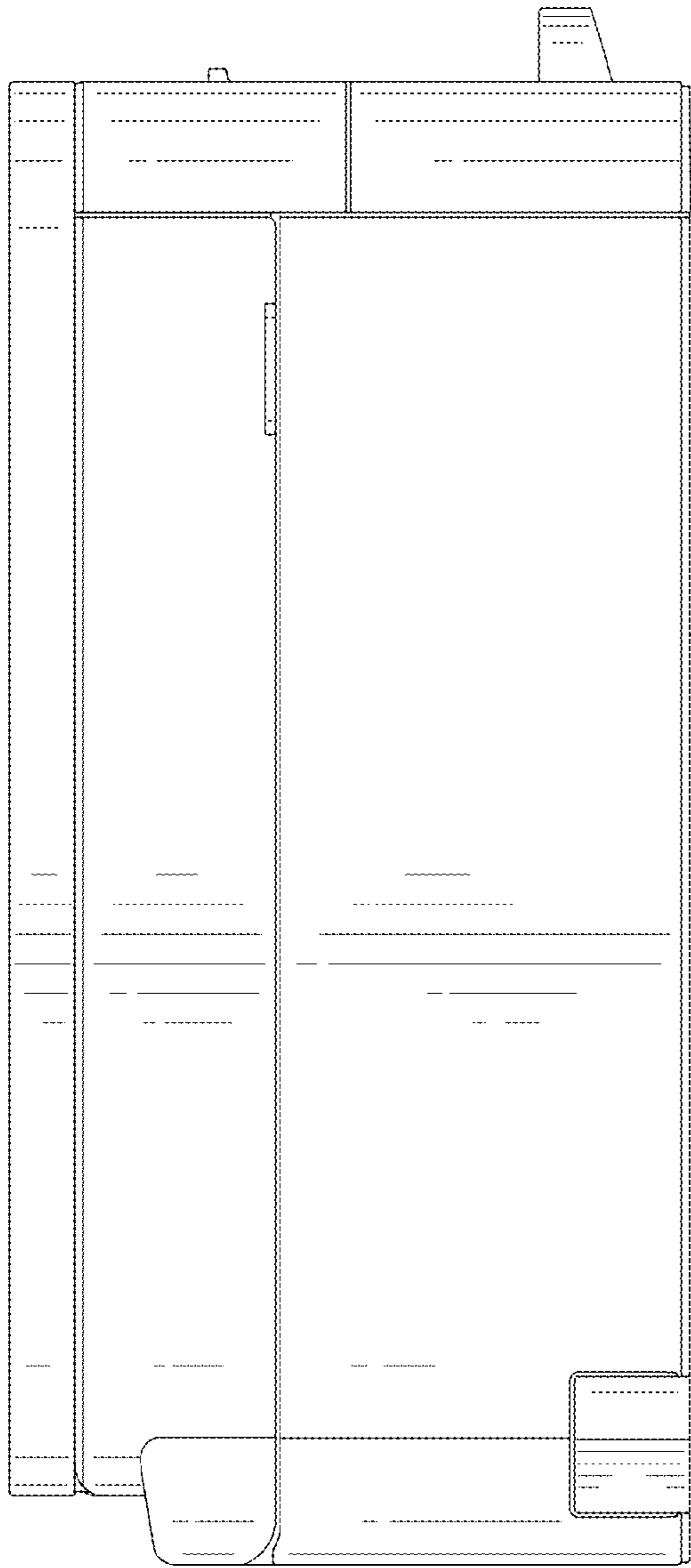


FIG. 4

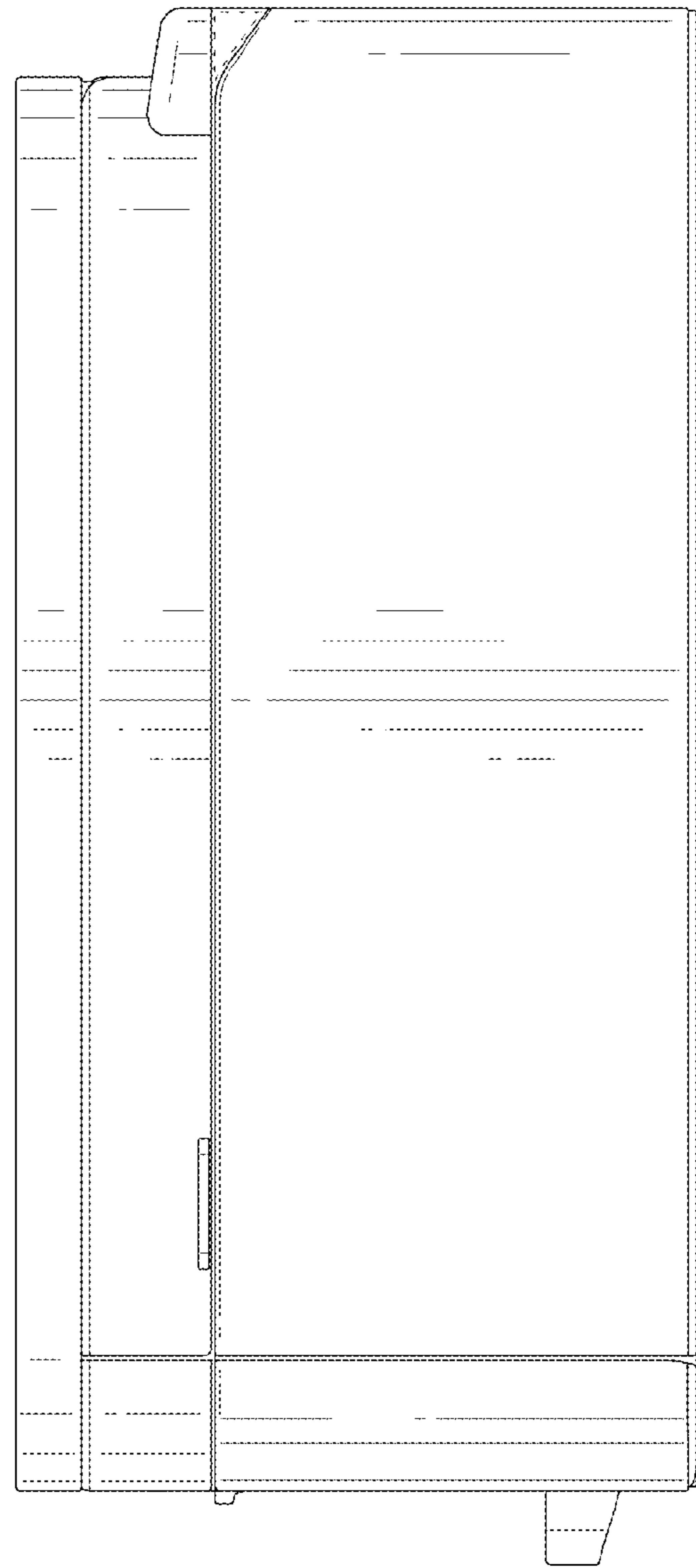


FIG. 5

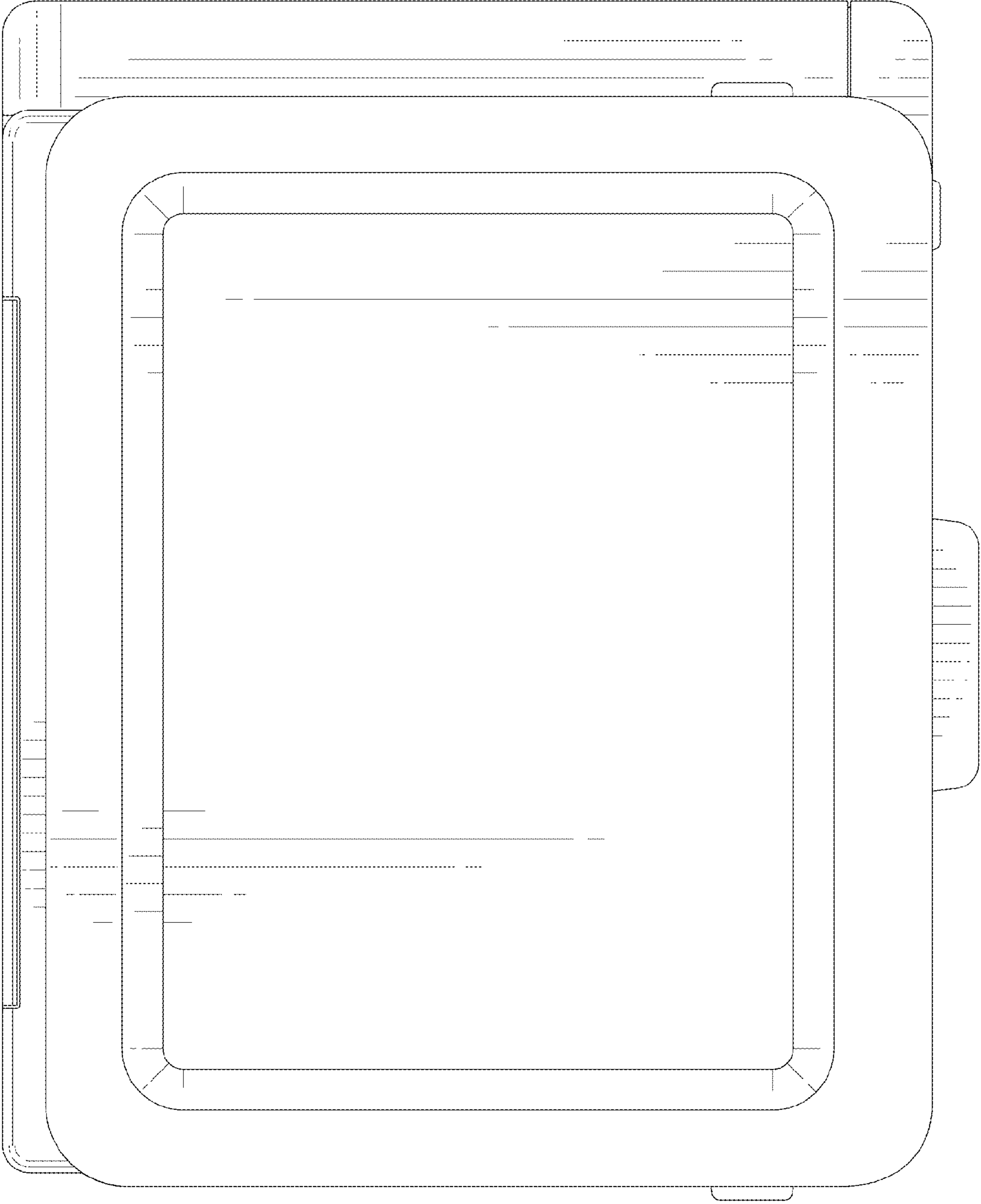


FIG. 6

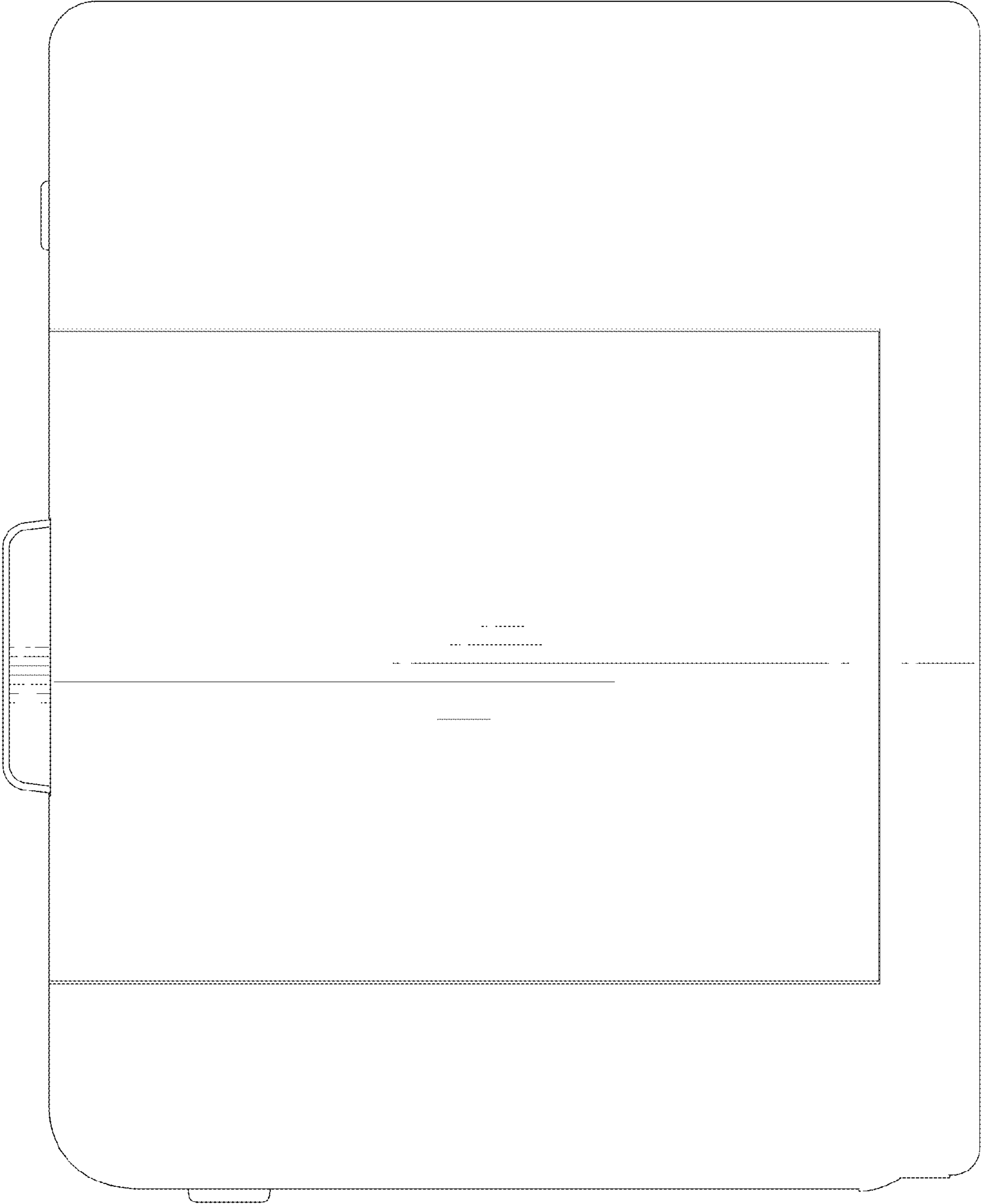


FIG. 7