



US0D1044895S

(12) **United States Design Patent**  
**Shimamoto et al.**

(10) **Patent No.:** **US D1,044,895 S**

(45) **Date of Patent:** **\*\* Oct. 1, 2024**

(54) **CUTTING TOOL INSERT**

(71) Applicant: **Sumitomo Electric Hardmetal Corp.**,  
Itami (JP)

(72) Inventors: **Yosuke Shimamoto**, Itami (JP);  
**Katsuya Nakakihara**, Itami (JP);  
**Naoki Matsuda**, Itami (JP)

(73) Assignee: **SUMITOMO ELECTRIC**  
**HARDMETAL CORP.**, Itami (JP)

(\*\*) Term: **15 Years**

(21) Appl. No.: **29/917,072**

(22) Filed: **Nov. 17, 2023**

**Related U.S. Application Data**

(62) Division of application No. 29/827,889, filed on Feb.  
23, 2022.

(30) **Foreign Application Priority Data**

Aug. 26, 2021 (JP) ..... 2021-018397 D  
Aug. 26, 2021 (JP) ..... 2021-018398 D

(51) **LOC (14) Cl.** ..... **15-09**

(52) **U.S. Cl.**  
USPC ..... **D15/139**

(58) **Field of Classification Search**  
USPC ..... D8/20, 70, 71; D15/21, 122, 126, 131,  
D15/138, 139, 140  
CPC ..... B23B 27/14; B23B 27/22; B23B 27/045;  
B23B 27/141; B23B 27/143; B23B  
2200/00; B23B 2200/321; B23C 5/08;  
B23C 2200/0494; Y10T 407/235  
See application file for complete search history.

(56) **References Cited**

**U.S. PATENT DOCUMENTS**

6,164,878 A 12/2000 Satran et al.  
7,722,297 B2 5/2010 Dufour et al.

D635,164 S 3/2011 Nelson et al.  
D708,237 S 7/2014 Matsubara  
D710,411 S 8/2014 Matsubara  
9,050,667 B2 6/2015 Park  
D760,307 S 6/2016 Koike  
9,409,240 B2 8/2016 Matsubara et al.  
9,656,334 B2 5/2017 Saji et al.

(Continued)

**OTHER PUBLICATIONS**

Office Action issued on Dec. 21, 2023, in corresponding related U.S.  
Appl. No. 29/827,889, 5 pages.

*Primary Examiner* — Patricia A Palasik

(74) *Attorney, Agent, or Firm* — XSENSUS LLP

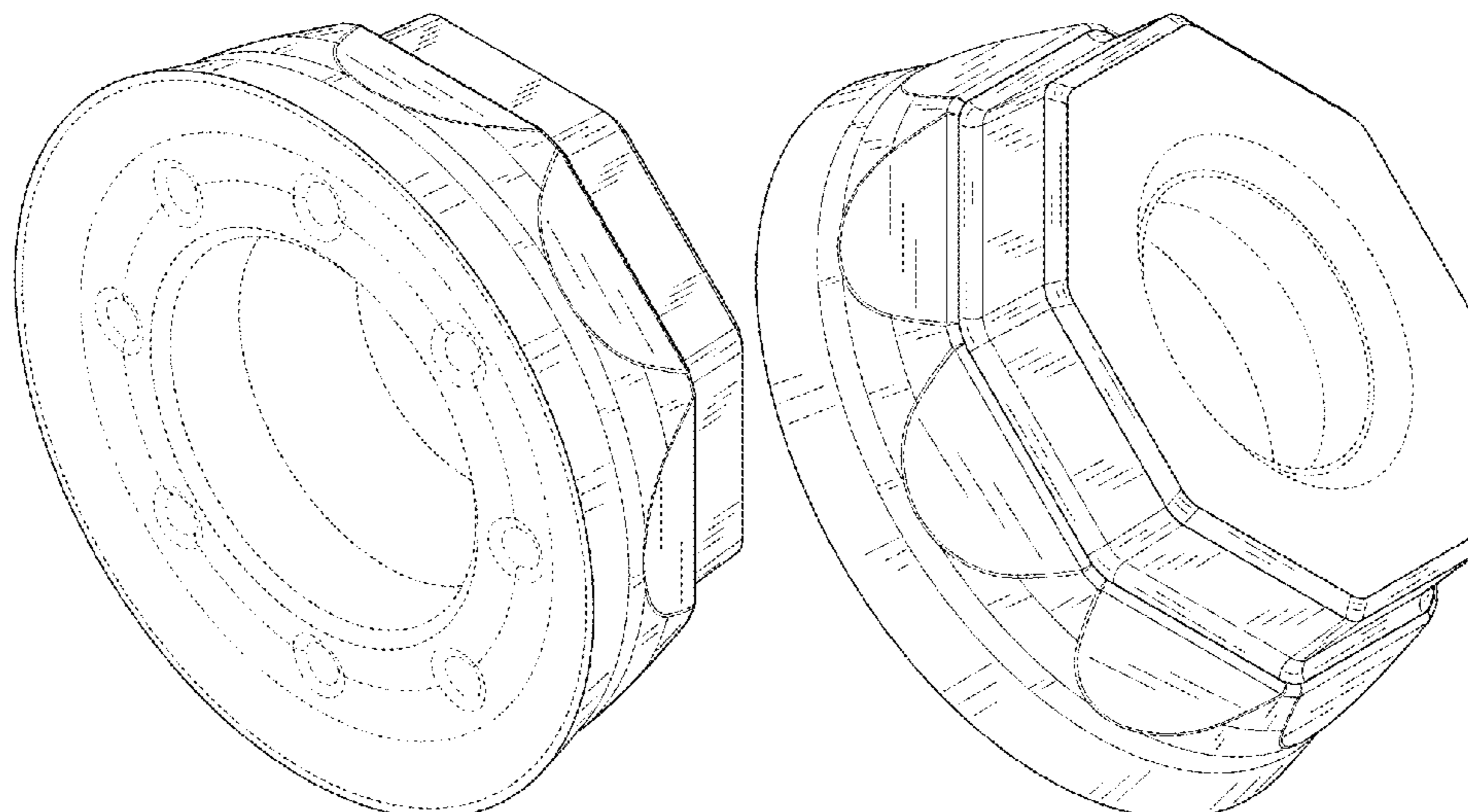
(57) **CLAIM**

The ornamental design for a cutting tool insert, as shown and  
described.

**DESCRIPTION**

FIG. 1 is a front view of a cutting tool insert in accordance  
with an embodiment of the present design;  
FIG. 2 is a rear view thereof;  
FIG. 3 is a right side view thereof;  
FIG. 4 is a left side view thereof;  
FIG. 5 is a top view thereof;  
FIG. 6 is a bottom view thereof;  
FIG. 7 is a first perspective view thereof;  
FIG. 8 is a second perspective view thereof;  
FIG. 9 is a cross sectional view taken along line 9-9 of FIG.  
1;  
FIG. 10 is an enlarged view of portion 10 of FIG. 9; and,  
FIG. 11 shows a cutting tool insert in an environment of use  
thereof.  
The broken lines shown in the drawings represent portions  
of the cutting tool insert that form no part of the claimed  
design.

**1 Claim, 7 Drawing Sheets**



(56)

**References Cited**

U.S. PATENT DOCUMENTS

D822,079	S *	7/2018	Lee .....	B23C 5/202
				D15/139
10,350,688	B2	7/2019	Rue et al.	
10,442,016	B2	10/2019	Yamamoto	
11,059,112	B2	7/2021	Kinoshita et al.	
11,383,310	B2	7/2022	Aso	
11,534,842	B2	12/2022	Dufour	
2006/0245837	A1	11/2006	Dufour et al.	
2012/0051853	A1 *	3/2012	Scandroglio .....	B23B 27/1611
				407/100
2014/0003874	A1 *	1/2014	Riviere .....	B23C 5/202
				407/64
2014/0348600	A1	11/2014	Matsubara et al.	

\* cited by examiner

FIG. 1

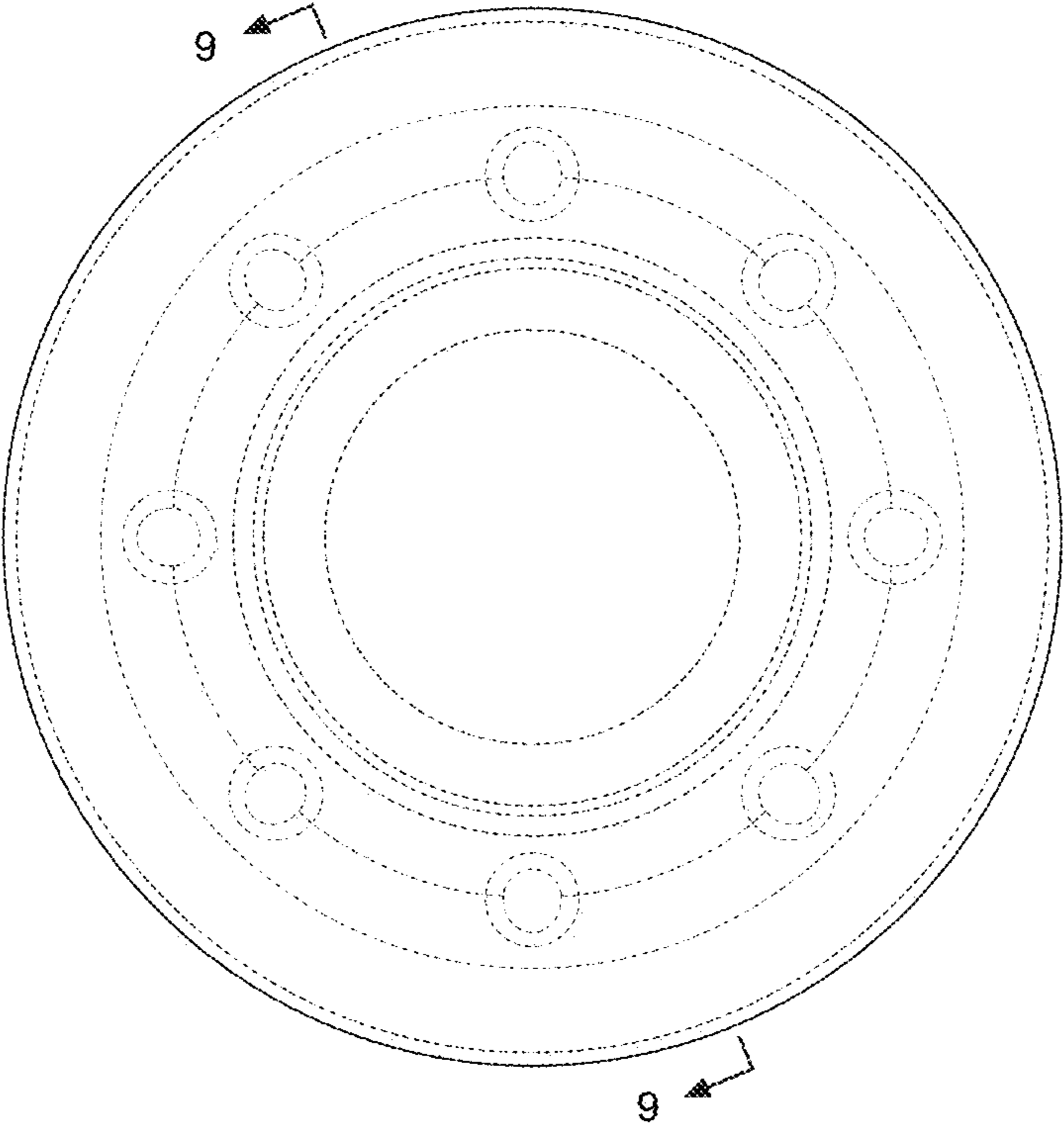


FIG. 2

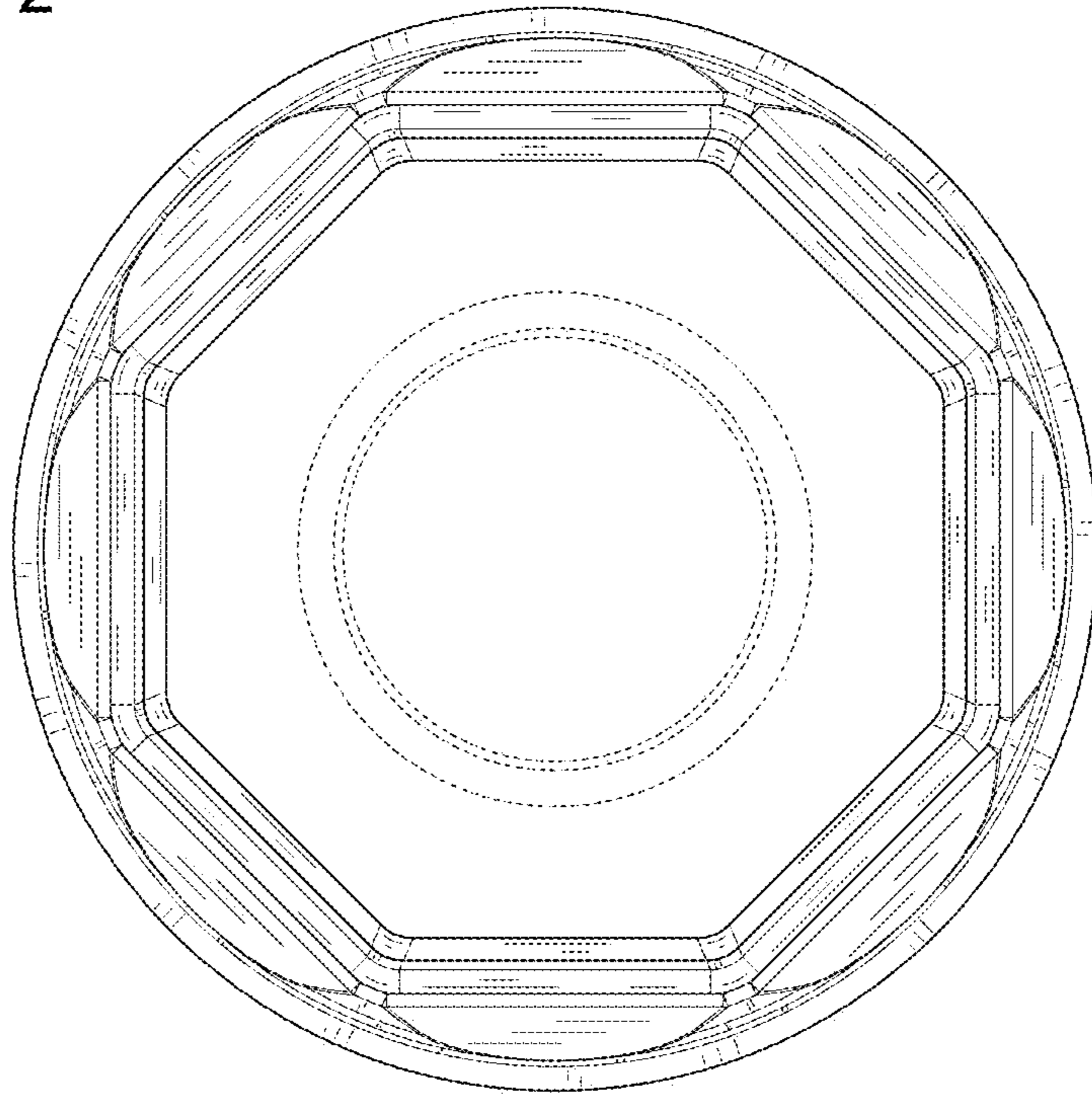


FIG. 3

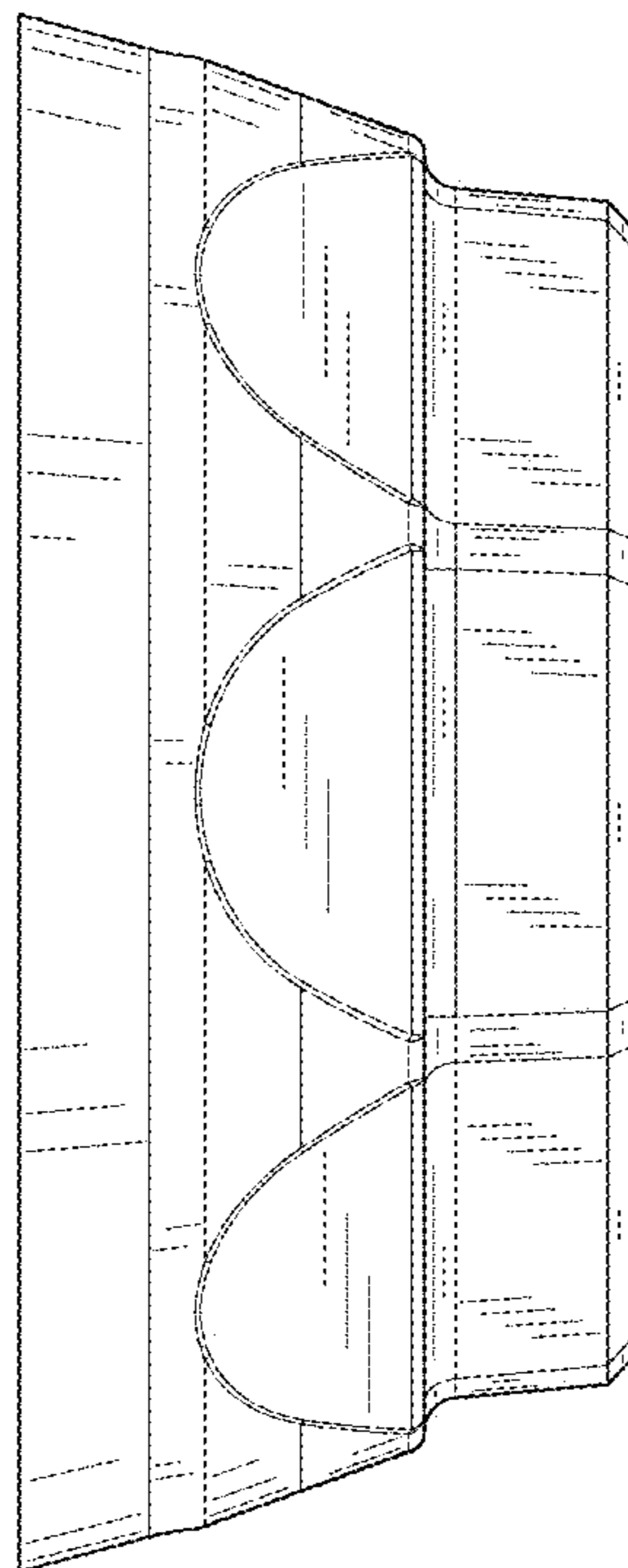


FIG. 4

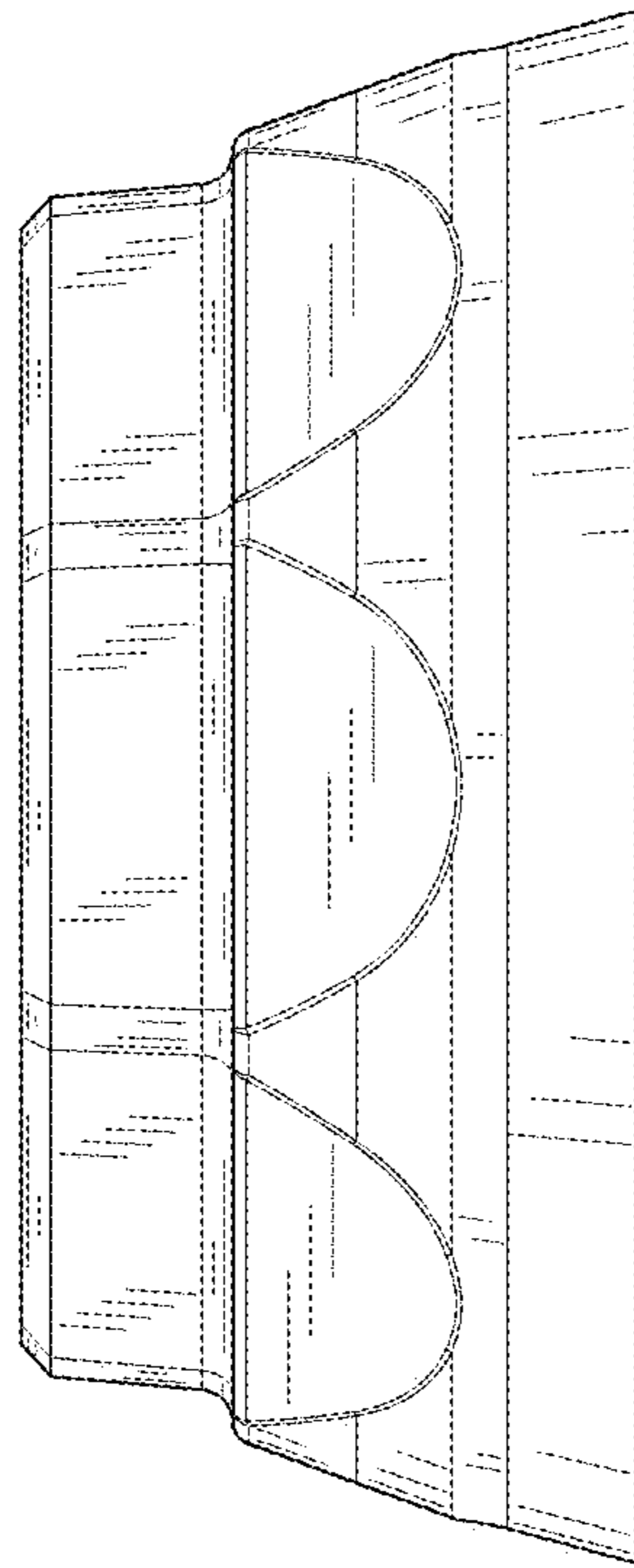


FIG. 5

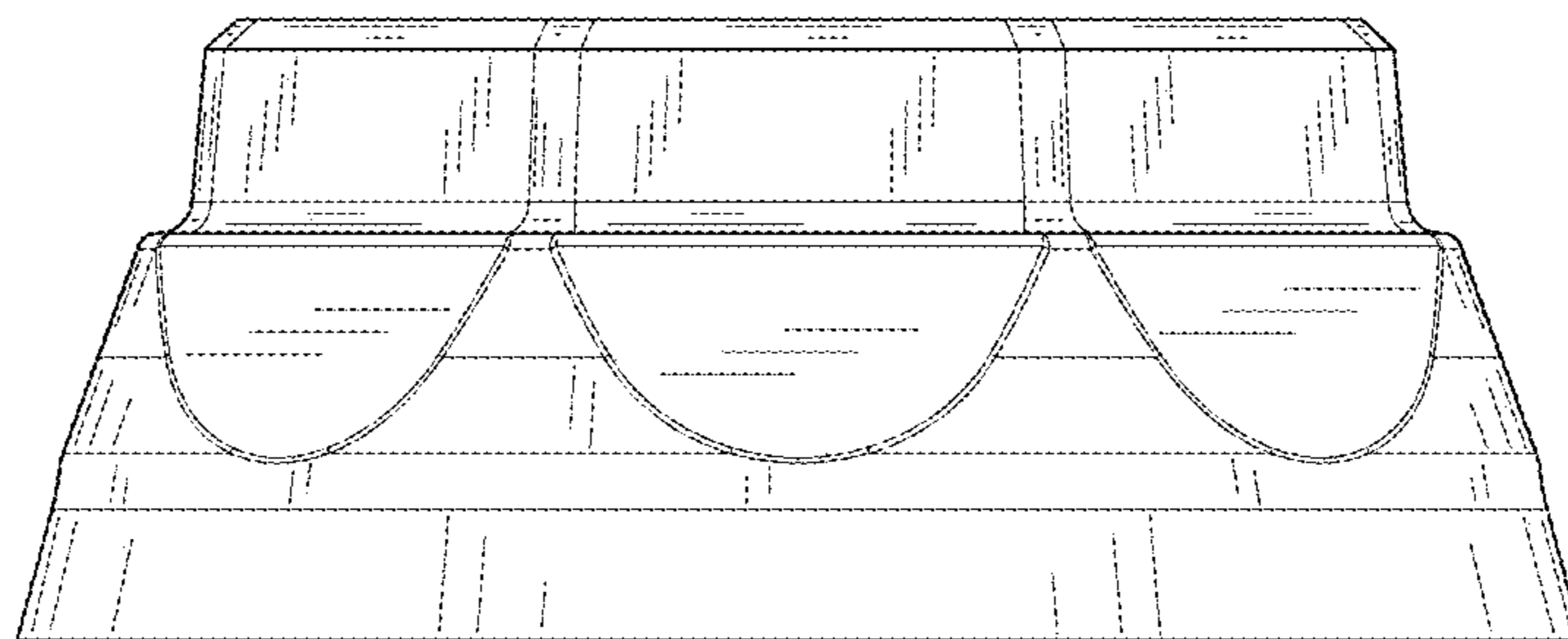


FIG. 6

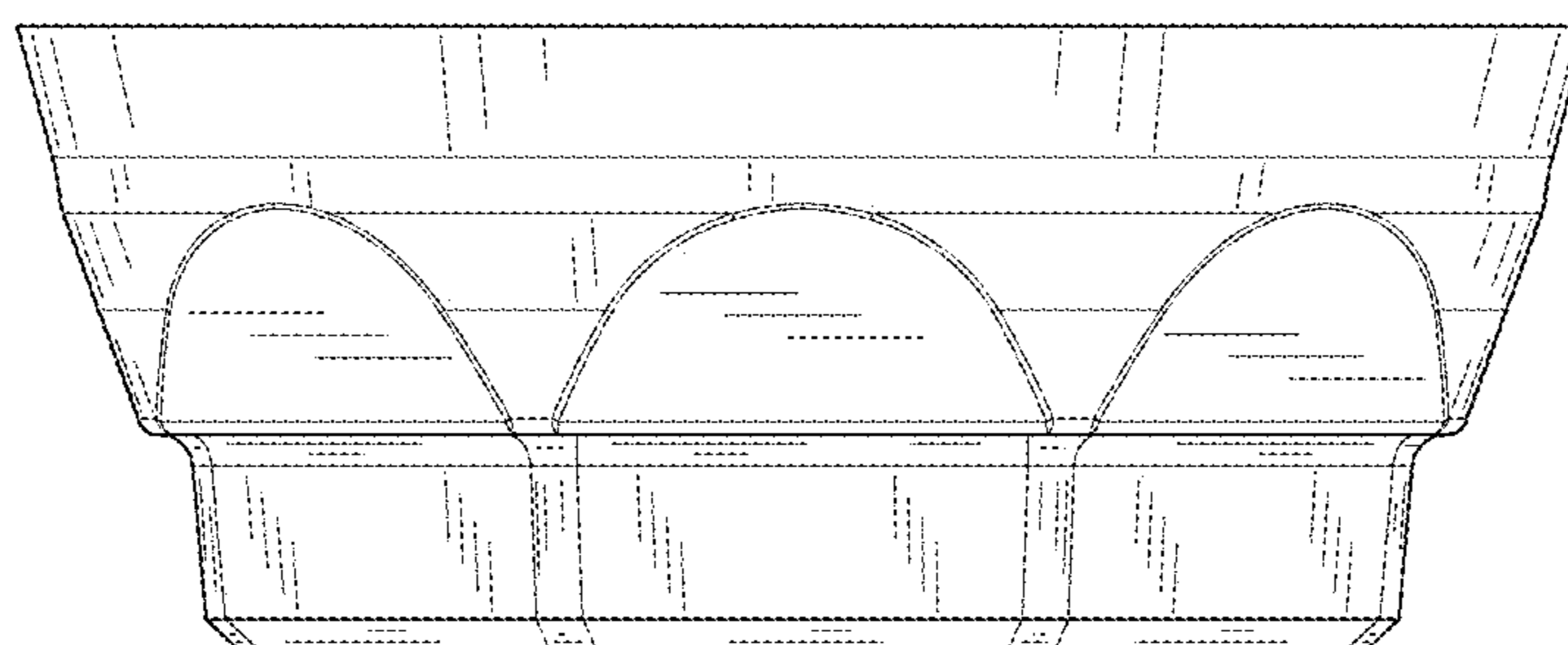


FIG. 7

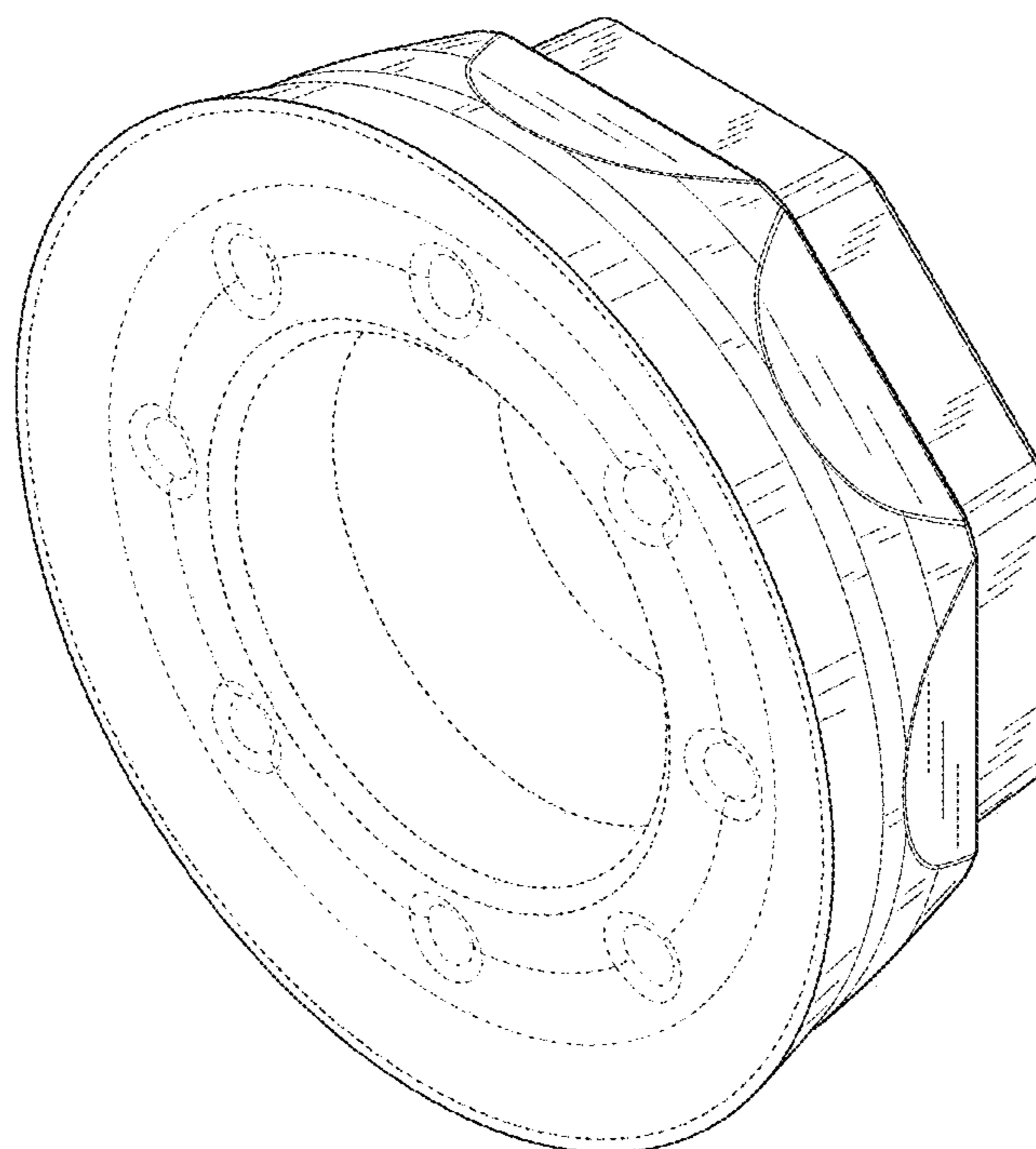


FIG. 8

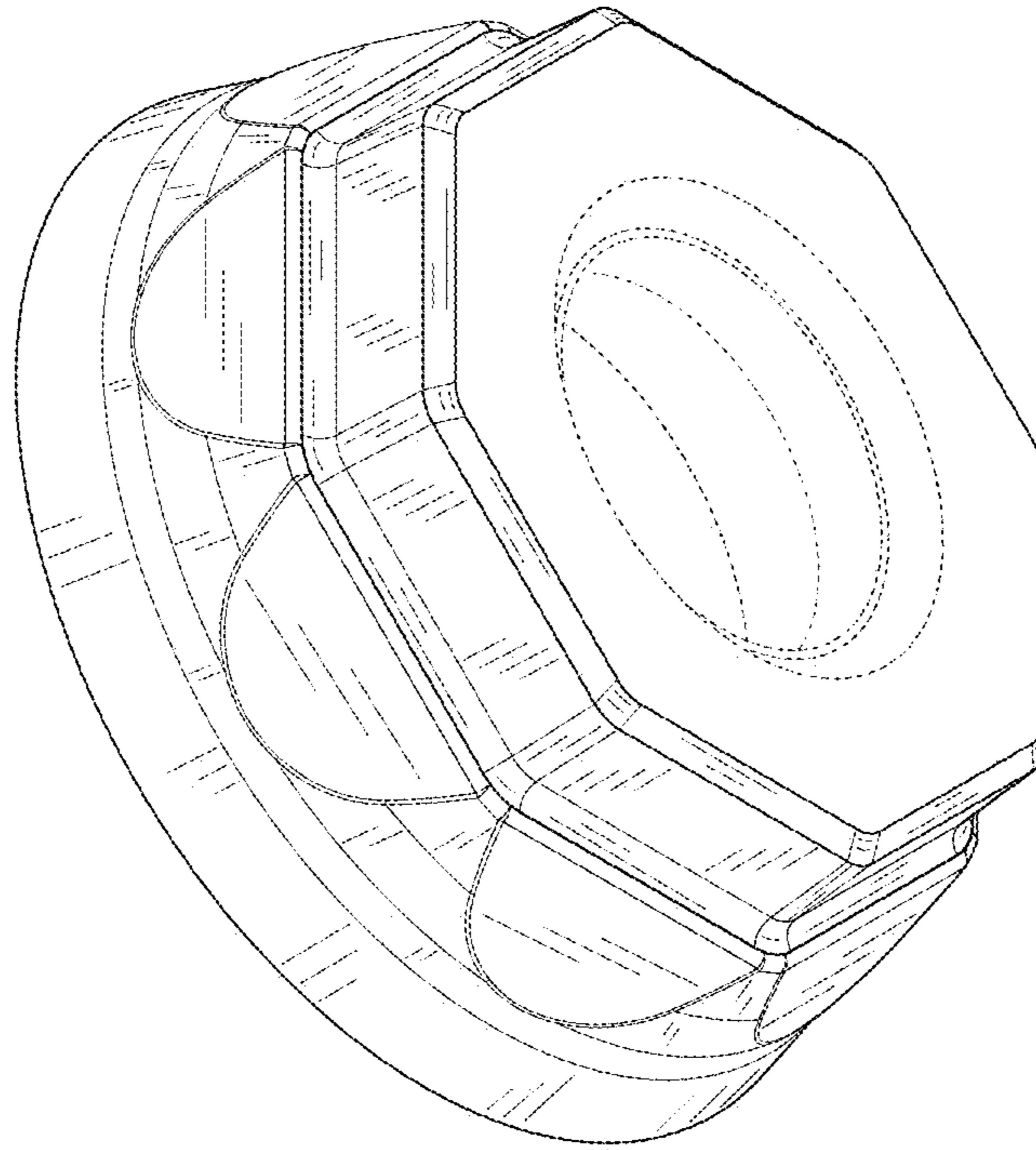


FIG. 9

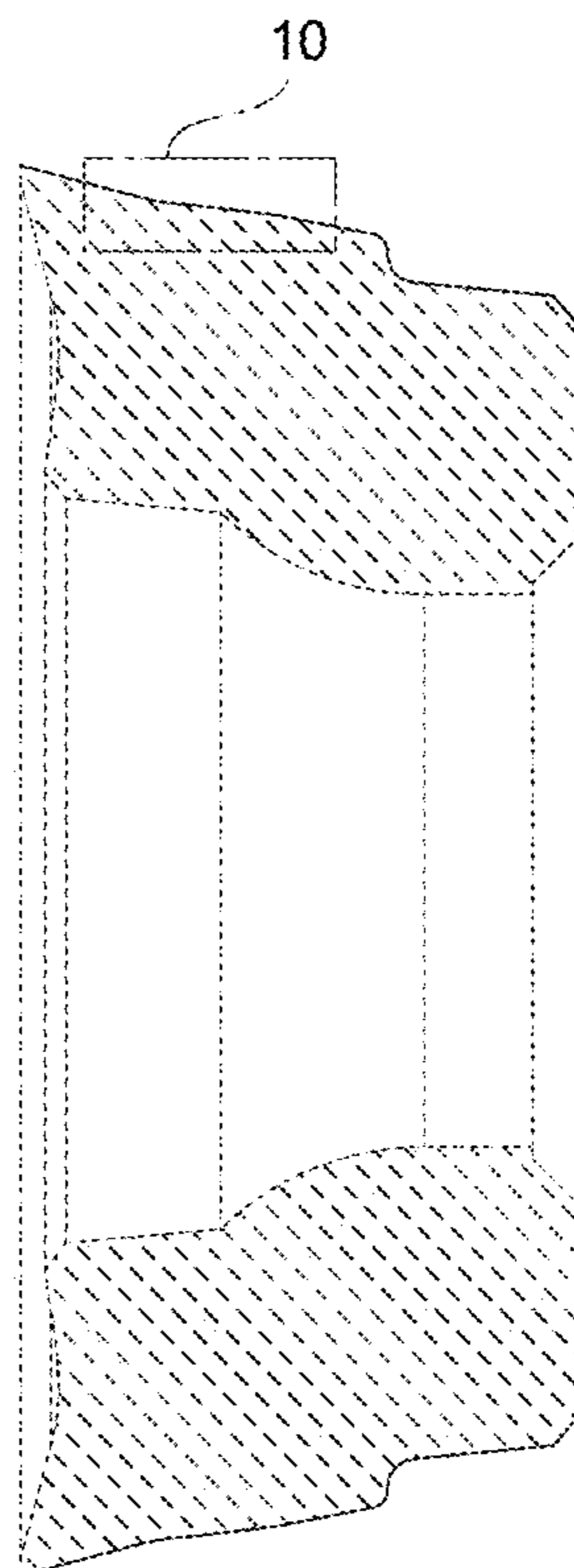


FIG. 10

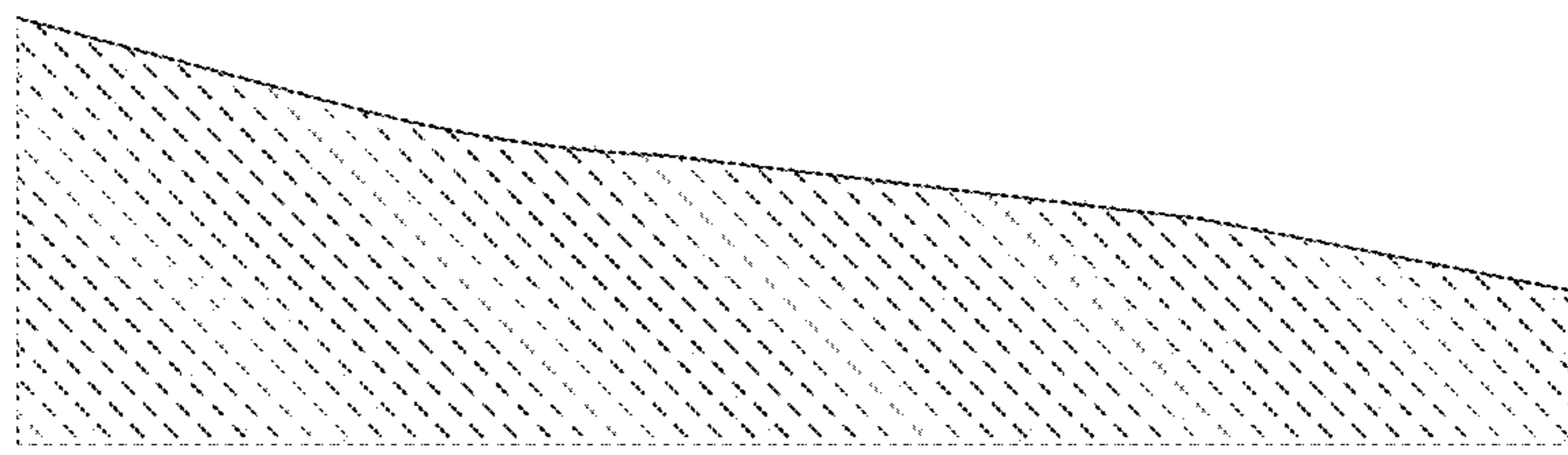




FIG. 11

