



US0D1044682S

(12) **United States Design Patent** (10) **Patent No.:** **US D1,044,682 S**
Arif (45) **Date of Patent:** **** Oct. 1, 2024**

(54) **SADDLE BAG**
(71) Applicant: **Crorama Inc.**, Brea, CA (US)
(72) Inventor: **Ammar Arif**, Upland, CA (US)
(73) Assignee: **Crorama Inc.**, Brea, CA (US)
(**) Term: **15 Years**
(21) Appl. No.: **29/871,168**
(22) Filed: **Feb. 14, 2023**
(51) **LOC (14) Cl.** **12-16**
(52) **U.S. Cl.**
USPC **D12/409**
(58) **Field of Classification Search**
USPC D12/407, 409, 410, 114, 110; D3/231,
D3/273
CPC B62J 9/00; B62J 9/001; B62J 9/20; B62J
9/23; B62J 9/26; B62J 7/00; B62J 7/04
See application file for complete search history.

D710,603 S * 8/2014 Alamdar D3/231
D710,604 S * 8/2014 Alamdar D3/231
D710,605 S * 8/2014 Alamdar D3/231
D710,606 S * 8/2014 Alamdar D3/231
D711,093 S * 8/2014 Alamdar D3/231
D743,163 S * 11/2015 Alamdar D3/231
D743,696 S * 11/2015 Alamdar D3/231
D806,611 S * 1/2018 Alamdar D12/114
D812,524 S * 3/2018 Alamdar D12/114
D830,056 S * 10/2018 Cunningham D3/231
D833,334 S * 11/2018 Schoenwald D12/114
D934,779 S * 11/2021 Alamdar D3/231
D934,780 S * 11/2021 Alamdar D3/231
D944,180 S * 2/2022 Alamdar D12/407

* cited by examiner

Primary Examiner — Michelle E. Wilson
Assistant Examiner — Clese Moore, Jr.

(57) **CLAIM**

The ornamental design for a saddle bag, as shown and described.

DESCRIPTION

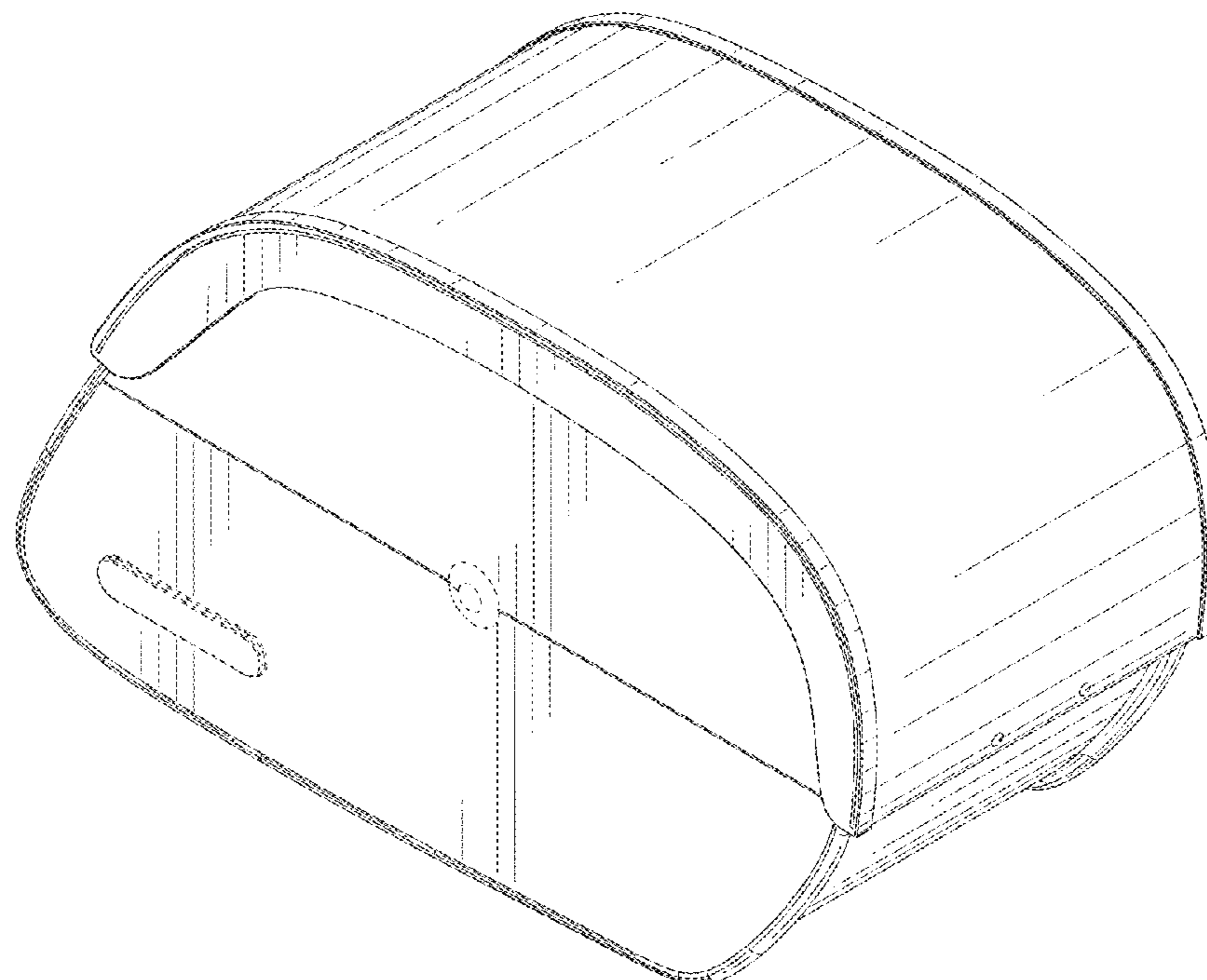
FIG. 1 is a front-top perspective view of a saddle bag showing my new design;
FIG. 2 is a front-bottom perspective view thereof;
FIG. 3 is a rear-top perspective view thereof;
FIG. 4 is a front elevational view thereof;
FIG. 5 is a rear elevational view thereof;
FIG. 6 is a left elevational view thereof;
FIG. 7 is a right elevational view thereof;
FIG. 8 is a top plan view thereof; and,
FIG. 9 is a bottom plan view thereof.
The broken lines in the drawings illustrate portions of the saddle bag which form no part of the claimed design.

1 Claim, 9 Drawing Sheets

(56) **References Cited**

U.S. PATENT DOCUMENTS

D259,192 S * 5/1981 Beaubien D3/291
D262,103 S * 12/1981 Beaubien D12/410
D470,097 S * 2/2003 Song D12/410
D497,341 S * 10/2004 Hanagan D12/410
D506,968 S * 7/2005 Berardino D12/410
D550,146 S * 9/2007 Hanagan D12/410
D585,358 S * 1/2009 Hanagan D12/410
D618,612 S * 6/2010 Asao D12/409
D675,557 S * 2/2013 Harris D12/410
D710,599 S * 8/2014 Alamdar D3/231
D710,600 S * 8/2014 Alamdar D3/231
D710,601 S * 8/2014 Alamdar D3/231



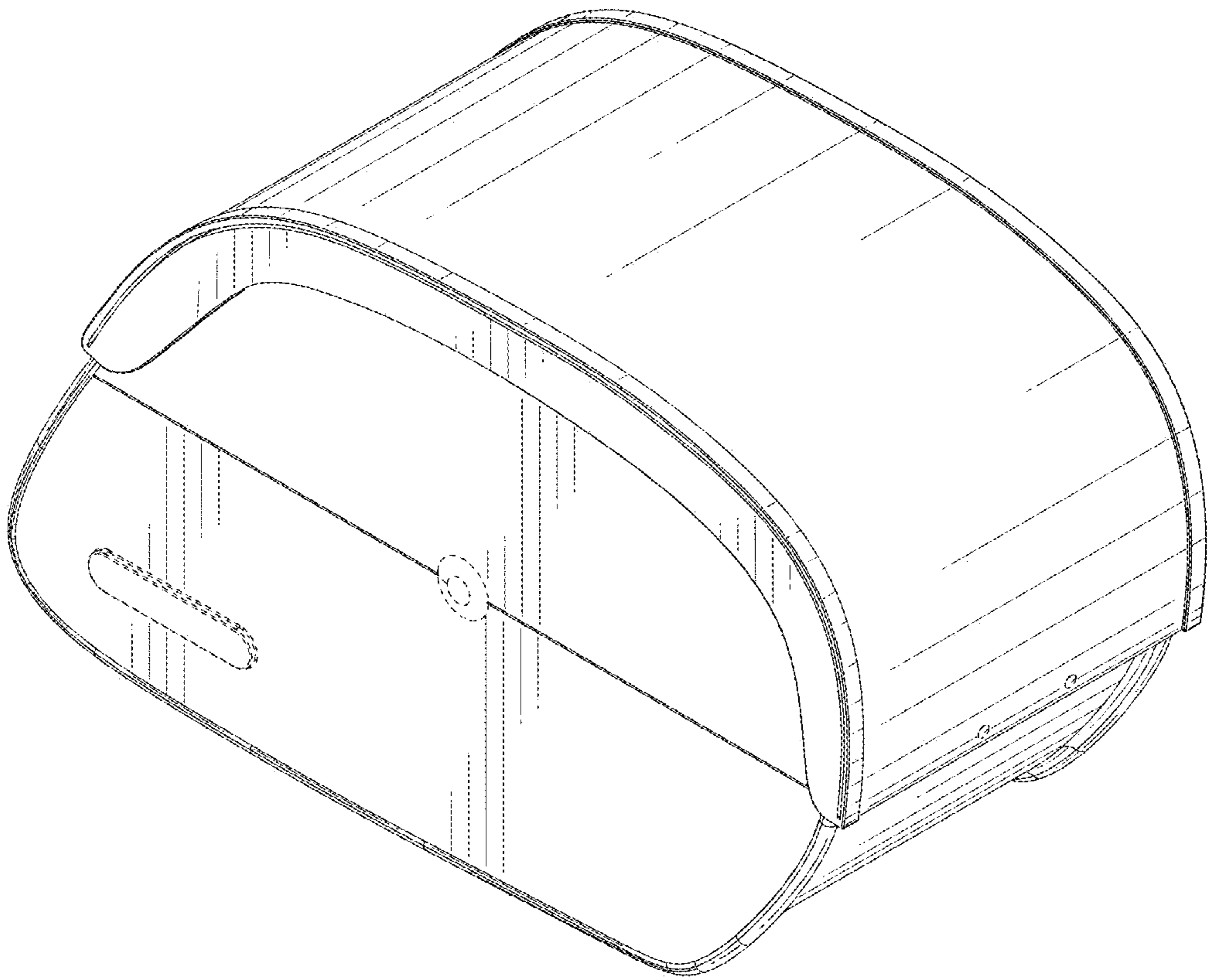


FIG. 1

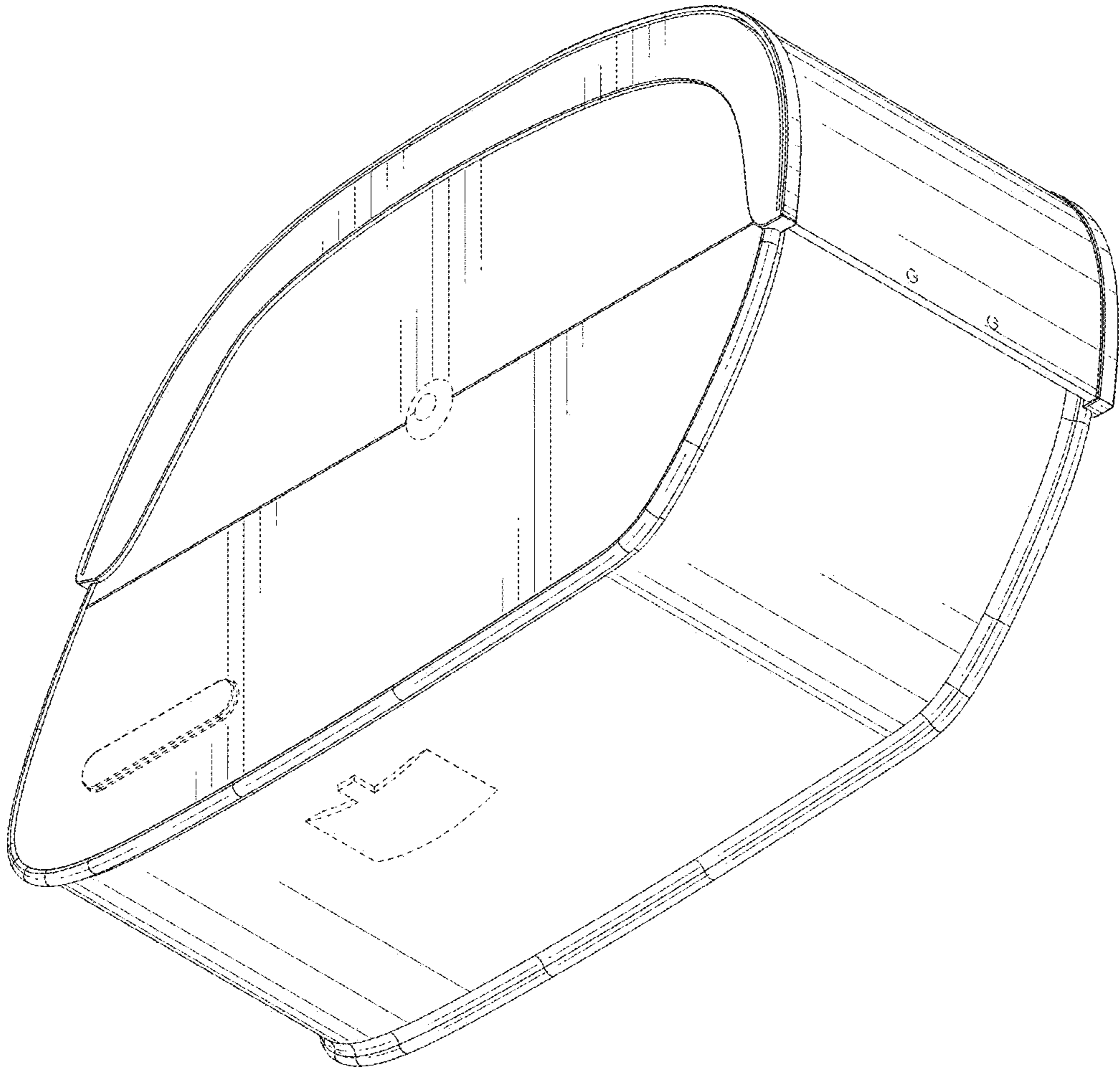


FIG. 2

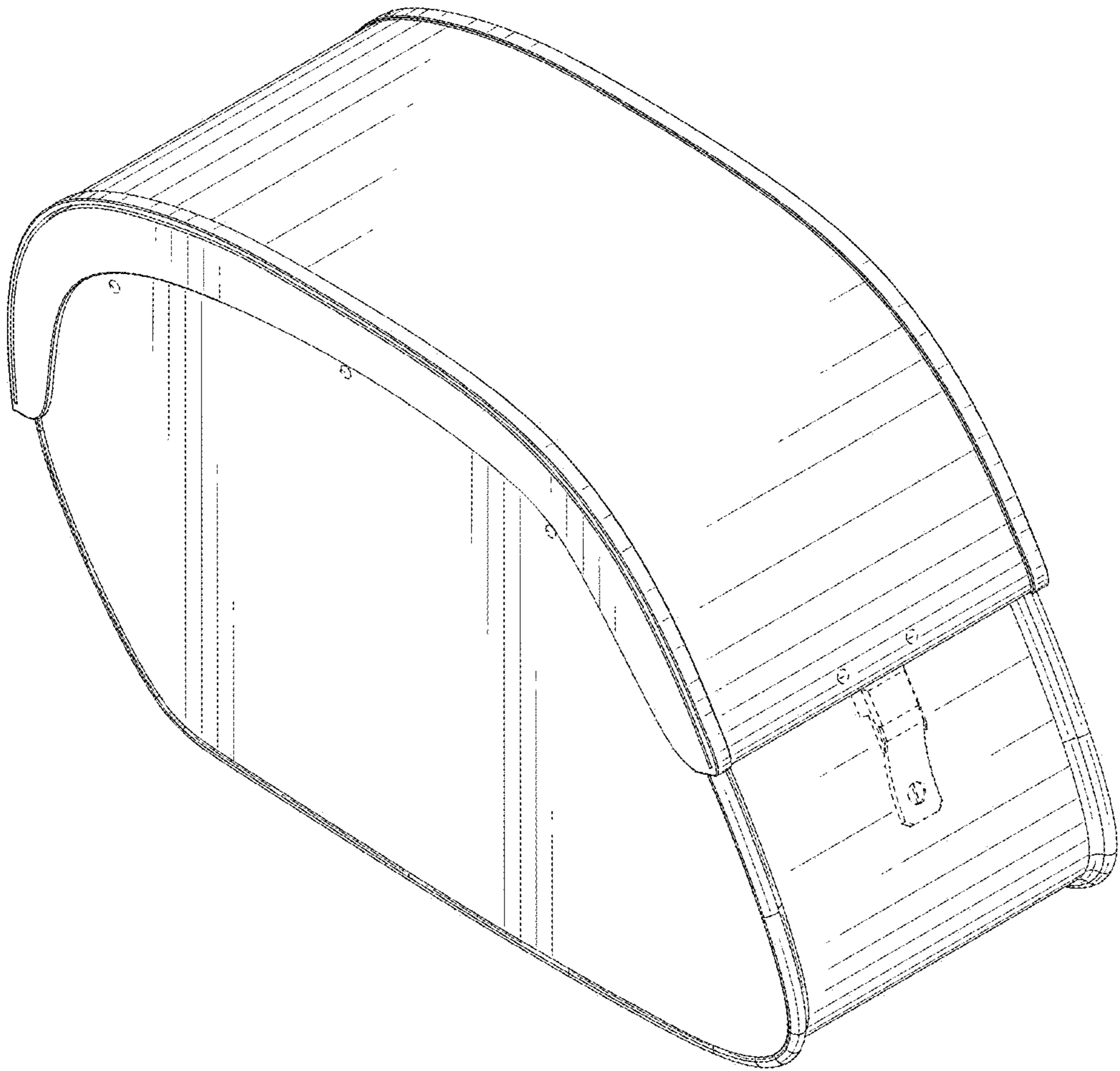


FIG. 3

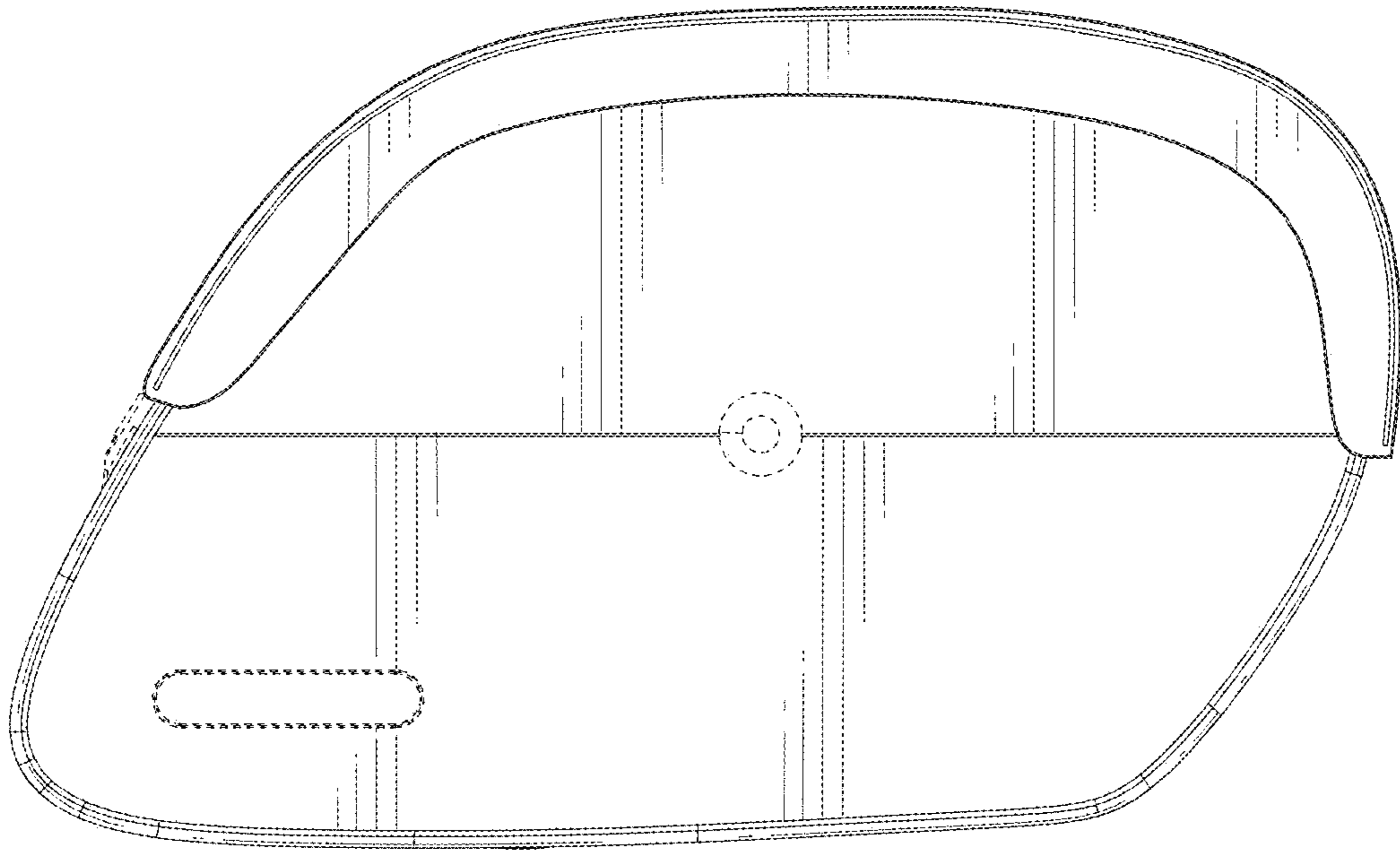


FIG. 4

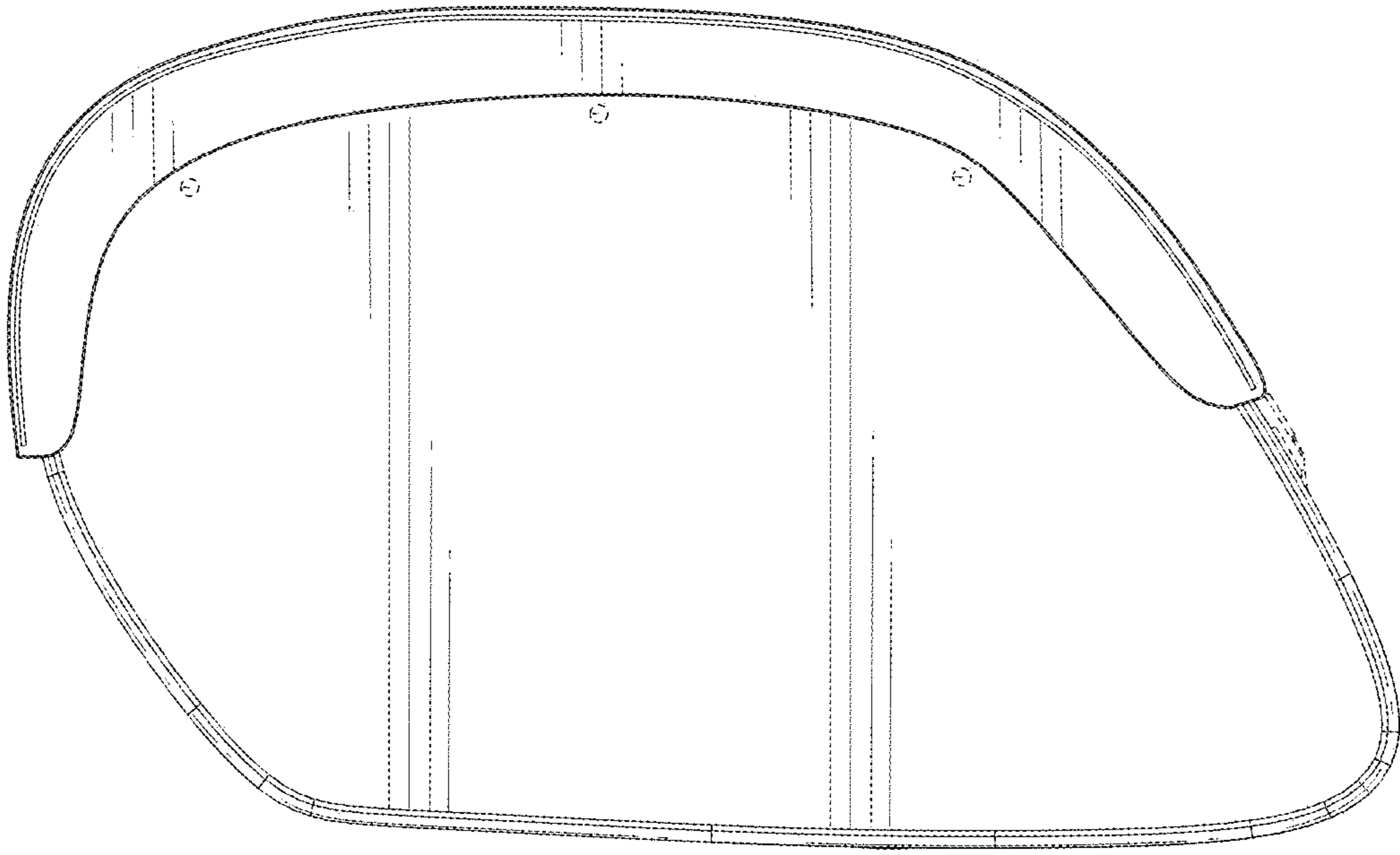


FIG. 5

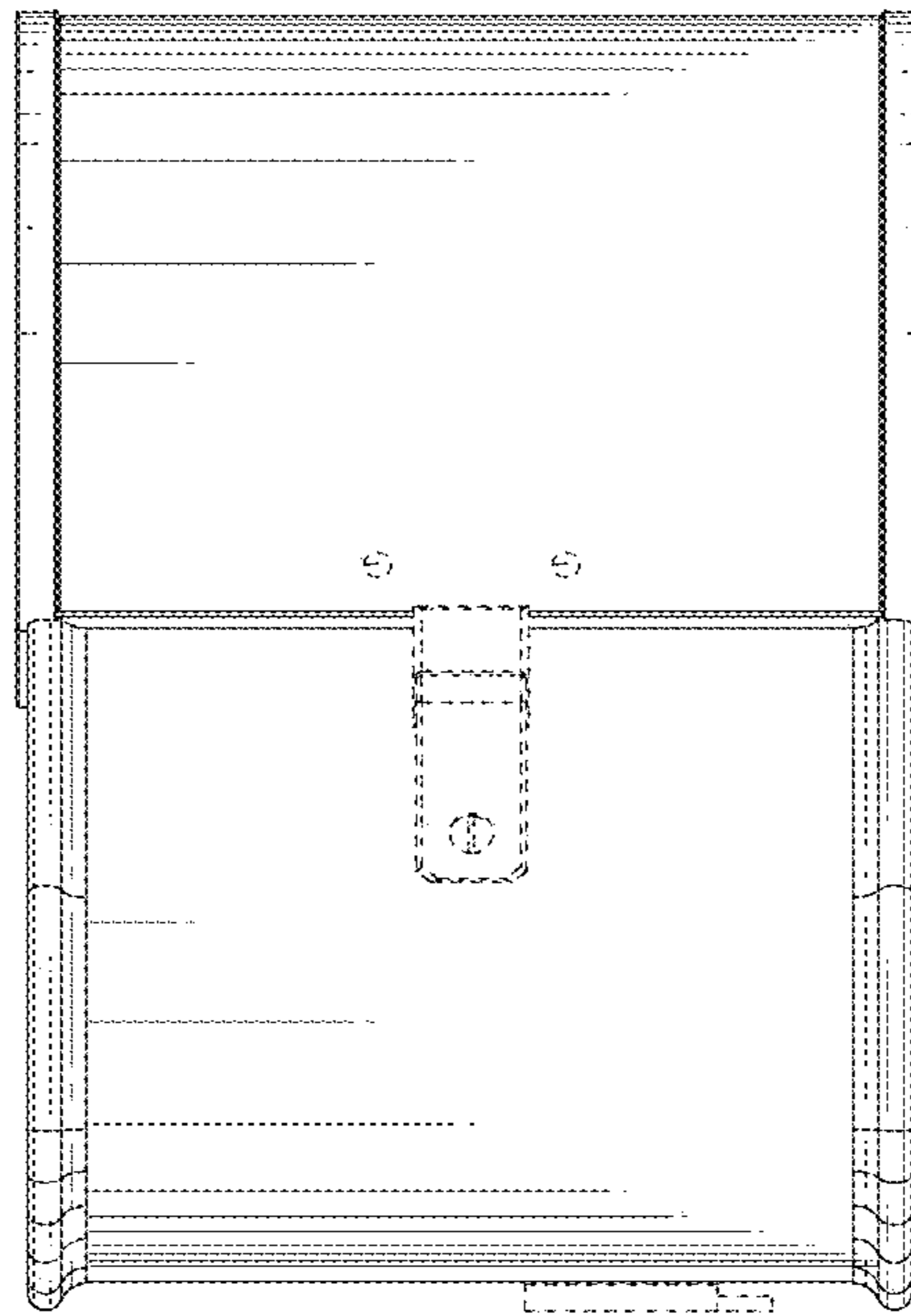


FIG. 6

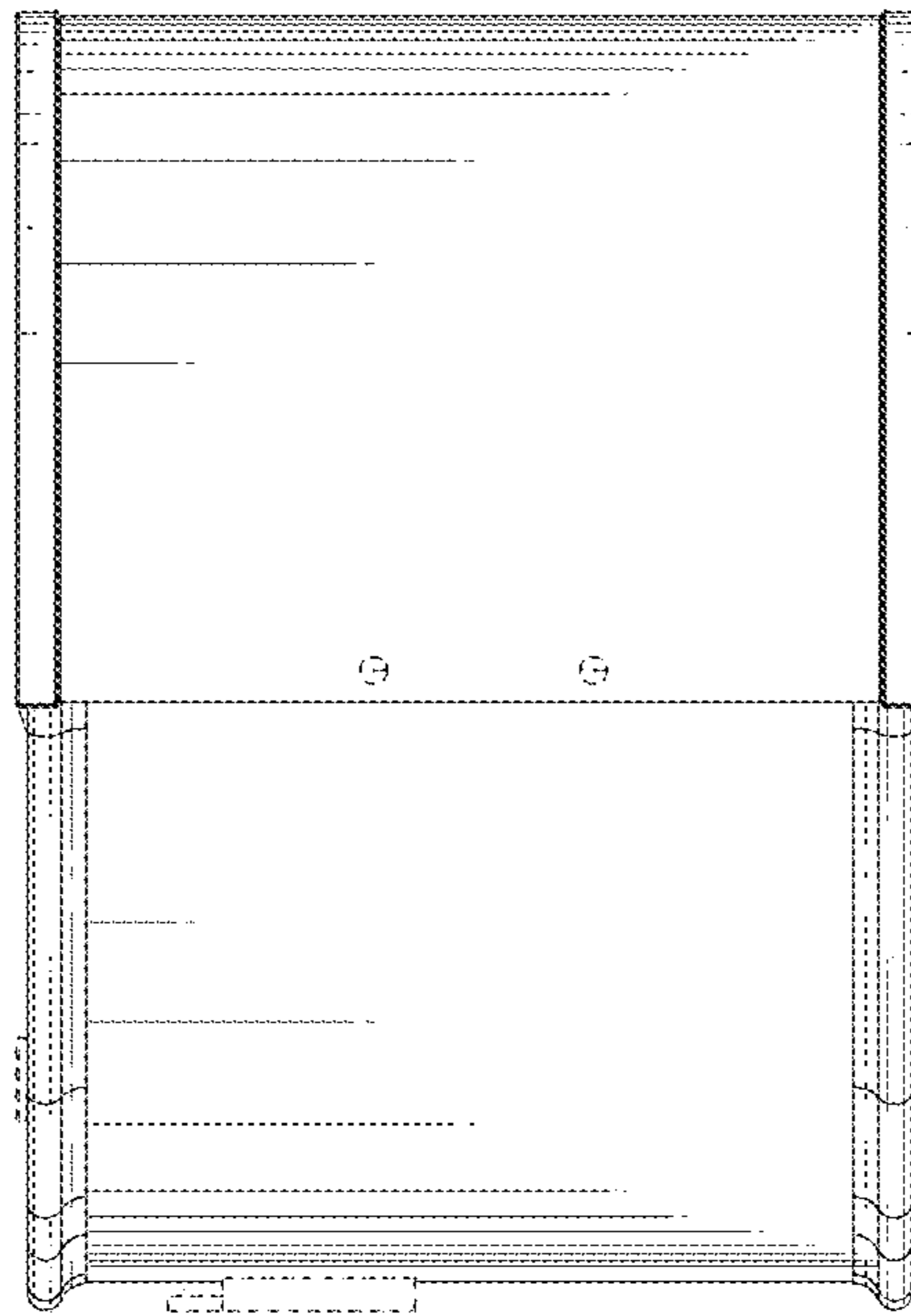


FIG. 7

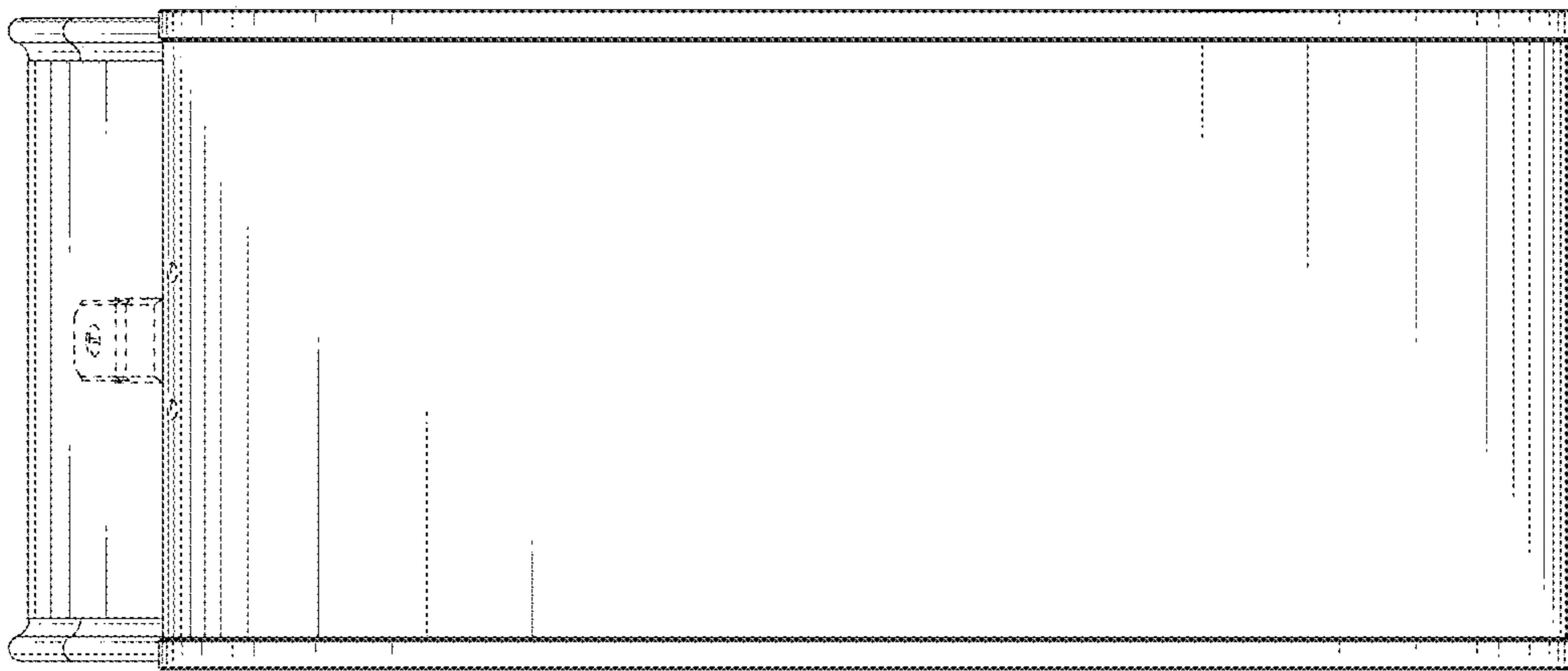


FIG. 8

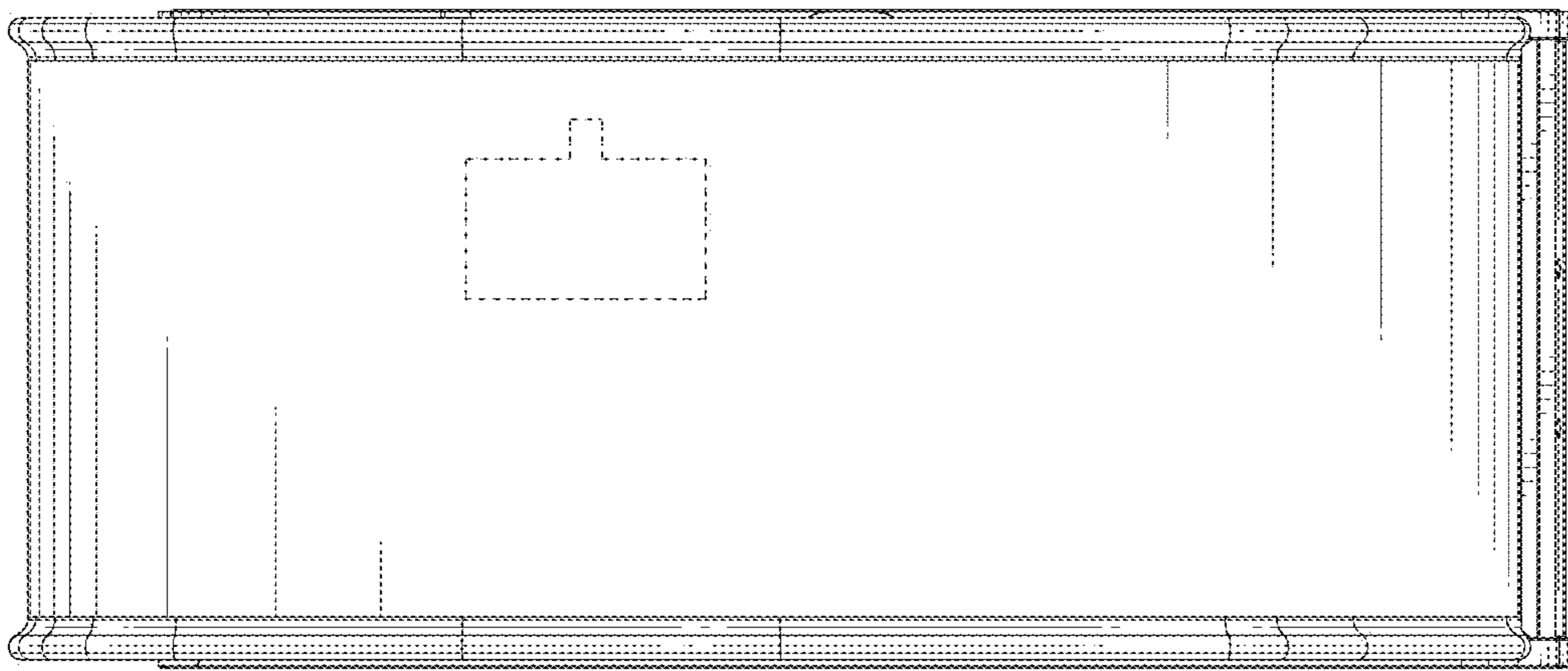


FIG. 9