



US0D1044537S

(12) **United States Design Patent**  
**Larracey et al.**

(10) **Patent No.:** **US D1,044,537 S**

(45) **Date of Patent:** **\*\* Oct. 1, 2024**

(54) **RANGEFINDER**

2220/40; A63B 2220/30; A63B 2220/16;  
A63B 2071/0636; A63B 2071/063; A63B  
2071/0627; A63B

(71) Applicant: **Dotty Green Golf, LLC**, Framingham,  
MA (US)

(Continued)

(72) Inventors: **Andrew T Larracey**, Ashland, MA  
(US); **Brian Michael Orme**,  
Phoenixville, PA (US); **Orlando J  
Hernandez**, Ewing, NJ (US)

(56) **References Cited**

U.S. PATENT DOCUMENTS

2,954,720 A \* 10/1960 Domeshek ..... G01C 3/16  
356/12

D256,338 S \* 8/1980 Kester ..... D10/70  
(Continued)

(73) Assignee: **Dotty Green Golf, LLC**, Framingham,  
MA (US)

(\*\*) Term: **15 Years**

OTHER PUBLICATIONS

(21) Appl. No.: **29/870,299**

Office Action issued in corresponding Japanese Design Application  
No. 2023-013007, dated Nov. 1, 2023, 16 pages, with English  
translation.

(22) Filed: **Jan. 20, 2023**

(Continued)

(51) **LOC (14) Cl.** ..... **10-04**

(52) **U.S. Cl.**

USPC ..... **D10/70**; D16/220

(58) **Field of Classification Search**

USPC ..... D10/70; D16/220

CPC ..... A63F 13/428; A63F 13/21; A63F 13/211;  
A63F 13/812; A63F 13/46; A63F 13/213;  
A63F 2300/8011; A63F 2300/61; A63F  
2300/1093; A63F 2300/105; A63F 13/06;  
A61B 5/1122; A61B 5/6831; A61B  
5/6806; A61B 5/1128; A61B 5/1124;  
A61B 2562/0219; A61B 2503/10; A61B  
5/4528; A61B 19/44; A61B 2019/446;  
A61B 5/02416; A61B 5/1118; A61B  
5/721; A61B 5/002; A61B 5/112; A61B  
5/746; A61B 5/6823; A61B 5/72; A61B  
5/7445; A61B 5/0022; A61B 5/14532;  
G09B 19/0038; G09B 9/00; G09B 19/00;  
A63B 69/3658; A63B 69/3632; A63B  
69/3608; A63B 69/36; A63B 69/00; A63B  
24/0021; A63B 24/0006; A63B 24/0003;  
A63B 2102/32; A63B 2209/10; A63B  
2225/50; A63B 2225/20; A63B 2220/836;  
A63B 2220/806; A63B 2220/803; A63B

*Primary Examiner* — Antoine Duval Davis

(74) *Attorney, Agent, or Firm* — Morgan, Lewis &  
Bockius LLP

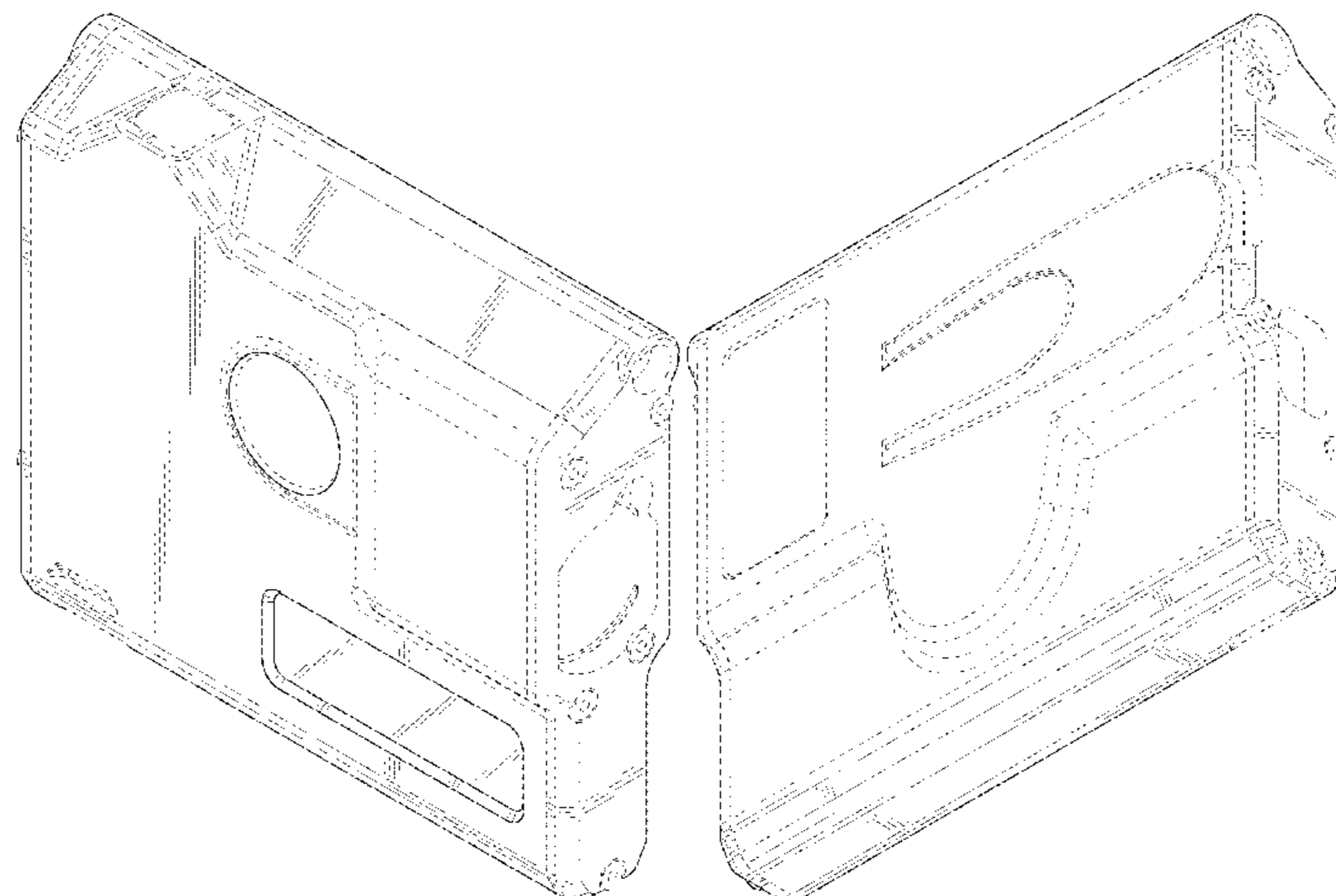
(57) **CLAIM**

The ornamental design for a rangefinder, as shown and  
described.

**DESCRIPTION**

FIG. 1 is a front perspective view of a rangefinder showing  
our new design;  
FIG. 2 is a rear perspective view thereof;  
FIG. 3 is a right-side elevational view thereof;  
FIG. 4 is a front elevational view thereof;  
FIG. 5 is a left-side elevational view thereof;  
FIG. 6 is a rear elevational view thereof;  
FIG. 7 is a top plan view thereof; and,  
FIG. 8 is a bottom plan view thereof.

(Continued)



The dash-dot-dash lines illustrate boundaries that form no part of the claimed design. The dash-dash broken lines depict portions of the rangefinder that form no part of the claimed design.

**1 Claim, 5 Drawing Sheets**

**(58) Field of Classification Search**

CPC ..... 2071/0625; A63B 2024/0031; A63B 2024/0015; A63B 2024/0012; A63B 69/004; A63B 69/3614; A63B 69/0024; A63B 2102/22; A63B 2102/02; A63B 69/0071; A63B 69/0026; A63B 69/38; A63B 2220/805; A63B 2024/0034; A63B 69/0002; A63B 2243/007; A63B 2243/0037; A63B 2243/0025; A63B 2102/18; A63B 53/04; A63B 2053/0445; A63B 1/00; A63B 2209/00; A63B 71/0622; A63B 60/46; A63B 71/06; A63B 24/0075; A63B 2071/0663; A63B 7/00; A63B 71/0686; A63B 24/0062; A63B 24/0084; A63B 2024/0068; A63B 2024/0078; A63B 2024/0056; A63B 2071/003; A63B 2071/065; A63B 2071/068; A63B 2071/0675; A63B 2220/12; A63B 2220/20; A63B 2220/22; A63B 2250/50; A63B 2225/02; A63B 2230/06; A63B 2230/75; A63B 2024/0065; A63B 2024/0081; A63B 2220/51; A63B 2220/62; A63B 26/00; A63B 71/0669; A63B 2220/18; A63B 2220/72; A63B 2220/73; A63B 2220/76; G01S 5/16; G01S 7/4813; G01S 7/48; G01S 7/51; G01S 7/4873; G01S 7/497; G01S 17/023; G01S 17/10; G01S 17/105; G01S 19/19; G01C 3/00; G01C 3/02;

G01C 3/04; G01C 3/06; G01C 3/08; G01C 3/085; G01C 3/10; G01C 3/12; G01C 3/16; G01C 3/14; G01C 3/18; G01C 3/20; G01C 3/22; G01C 3/24; G01C 3/26; G01C 3/28; G01C 3/30; G01C 3/32; G01C 15/006; G02B 23/16; G02B 23/165; A41D 1/002; A44C 5/0015; A44C 5/102; A44C 5/14; A44C 5/02; G09F 3/005; G06F 1/163; G06F 3/038; G06F 3/03547; G04G 17/00; G04G 17/08; G04G 17/04; G04G 21/02; G04G 21/00; G04G 21/08; G04B 37/1486; G06Q 10/00; G06Q 50/00; G04F 10/00; A41G 1/00; A41G 3/065

See application file for complete search history.

(56)

**References Cited**

U.S. PATENT DOCUMENTS

5,000,565 A \* 3/1991 Hughes ..... G02B 7/305  
356/17  
5,608,513 A \* 3/1997 Komatsu ..... G01S 7/4813  
356/3  
6,583,433 B2 \* 6/2003 Sugiyama ..... G01V 8/20  
356/3.13  
8,599,362 B2 \* 12/2013 Tregellas ..... G01C 3/04  
356/3.01  
D867,178 S \* 11/2019 Deng ..... D10/70  
11,828,876 B2 \* 11/2023 Fu ..... G01S 17/08

OTHER PUBLICATIONS

The First Call, "DottyGreen Golf to exhibit at 2023 PGA Show" (Jan. 10, 2023); <https://www.firstcallgolf.com/industry-news/release/2023-01-10/dottygreen-golf-to-exhibit-at-2023-pga-show>.

\* cited by examiner

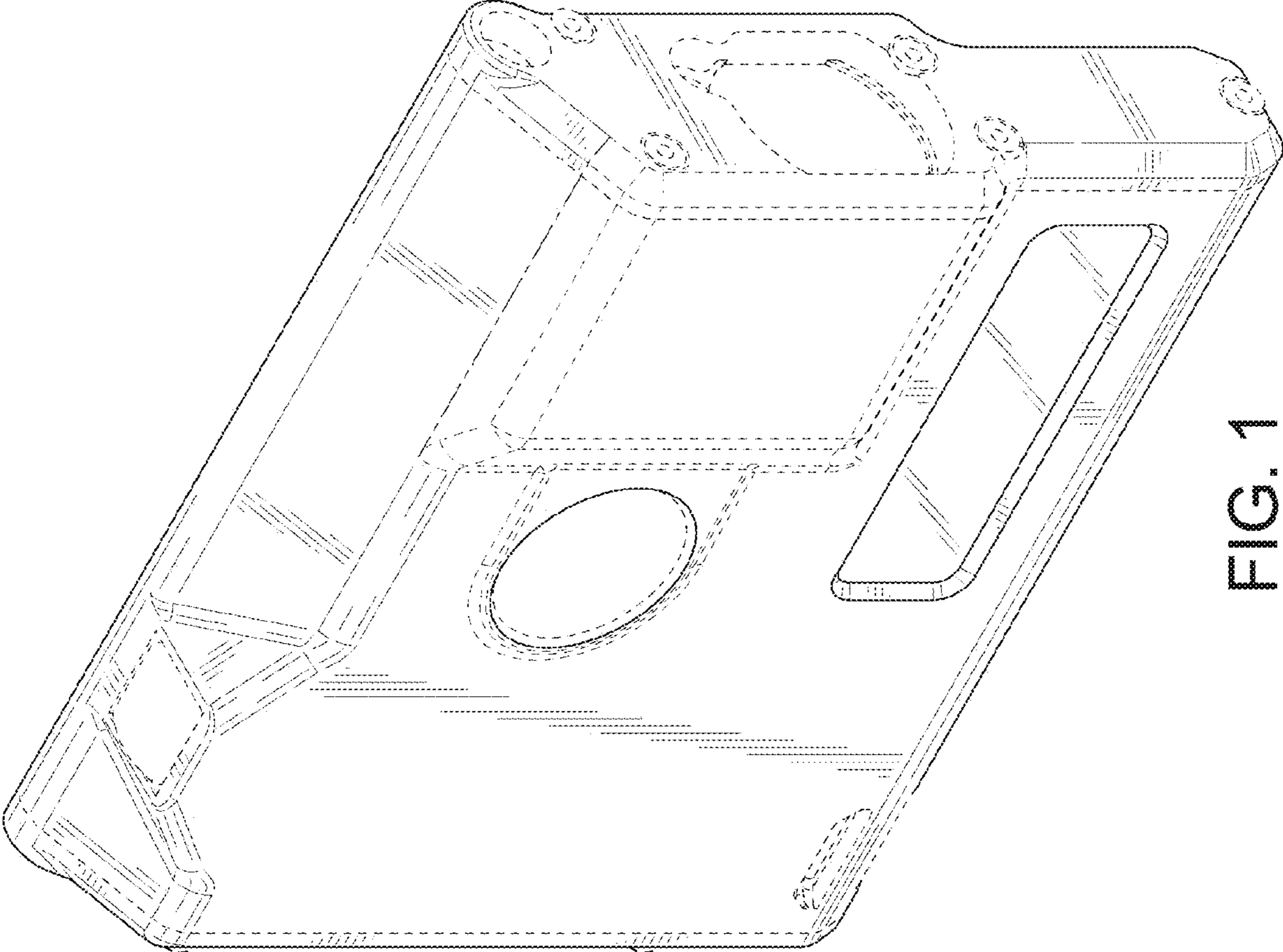


FIG. 1



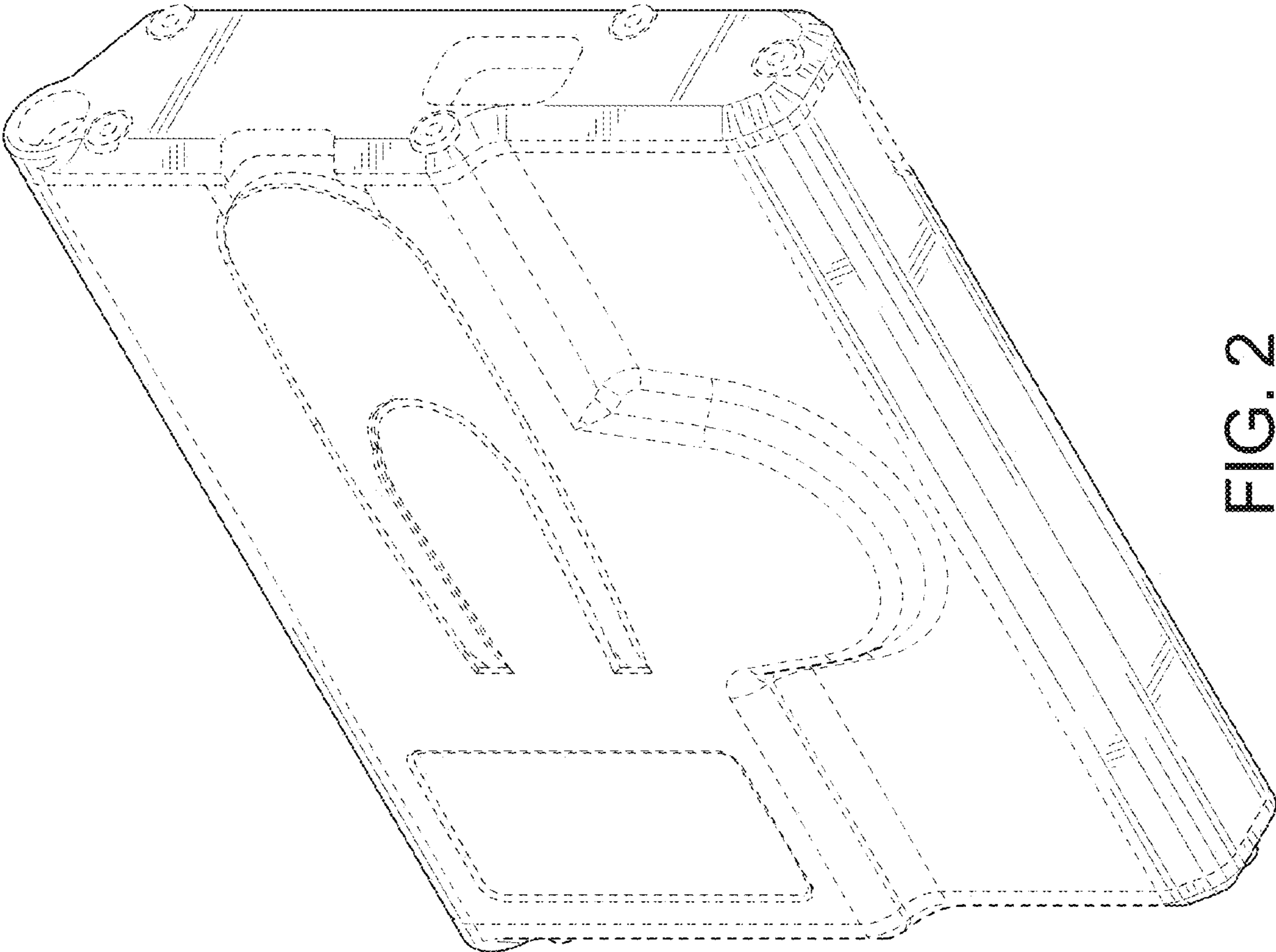


FIG. 2

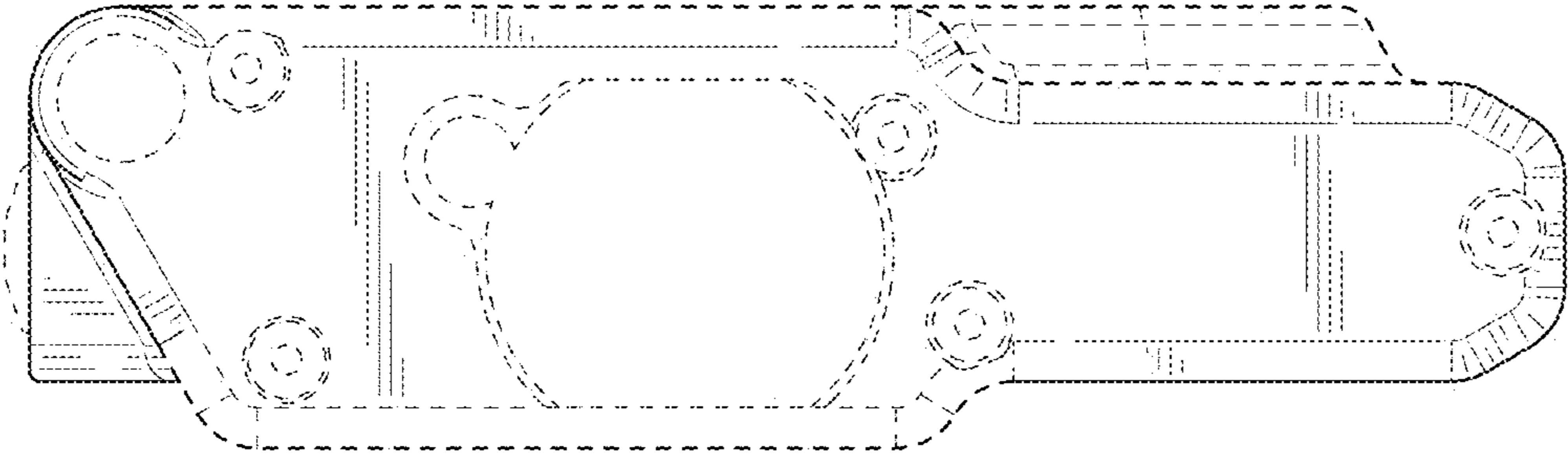


FIG. 4

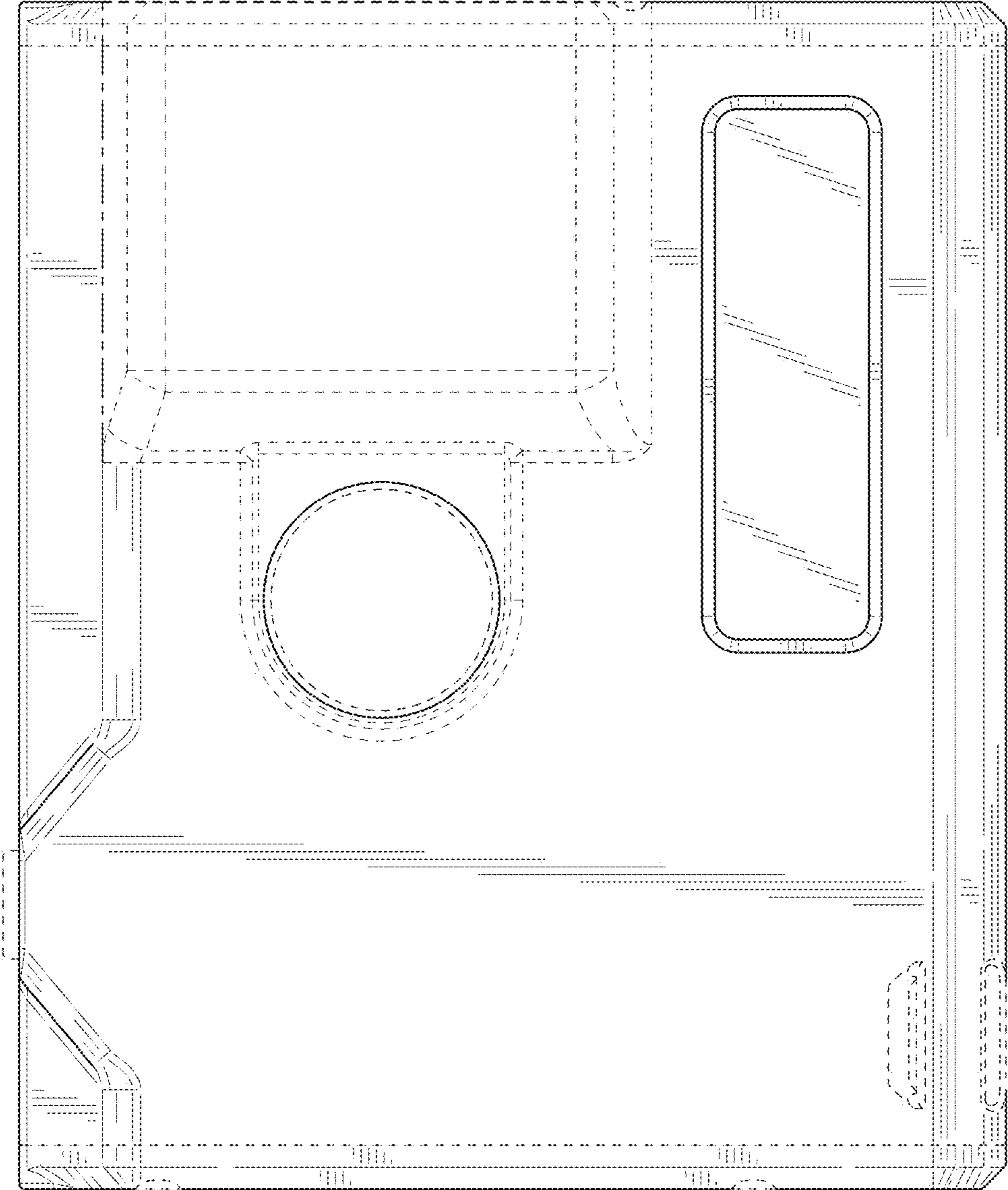


FIG. 3

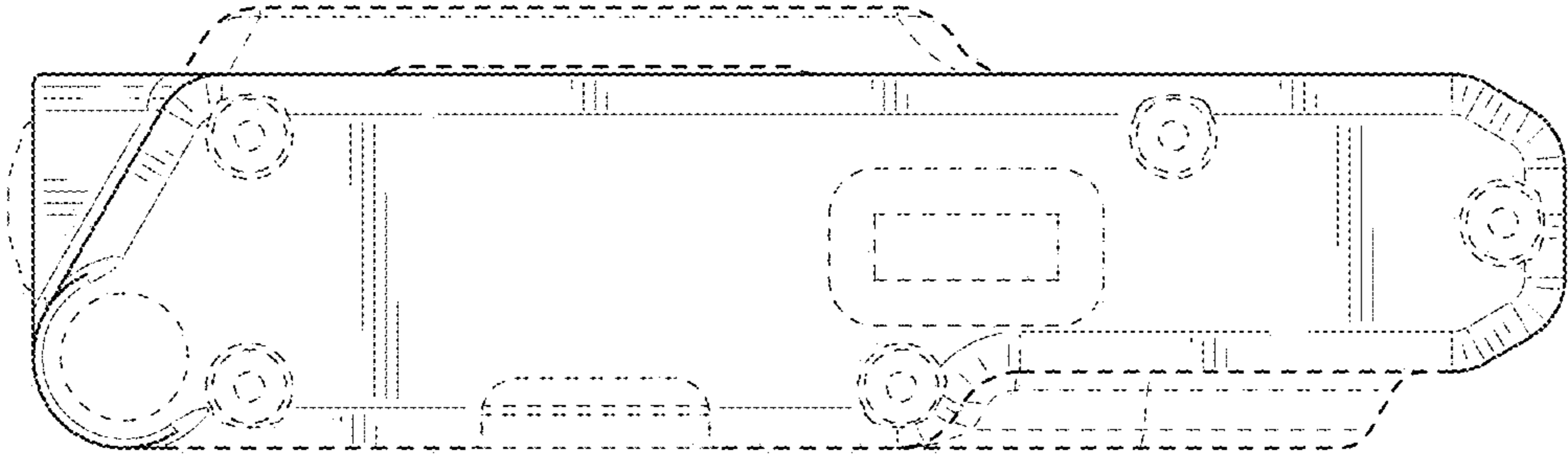


FIG. 6

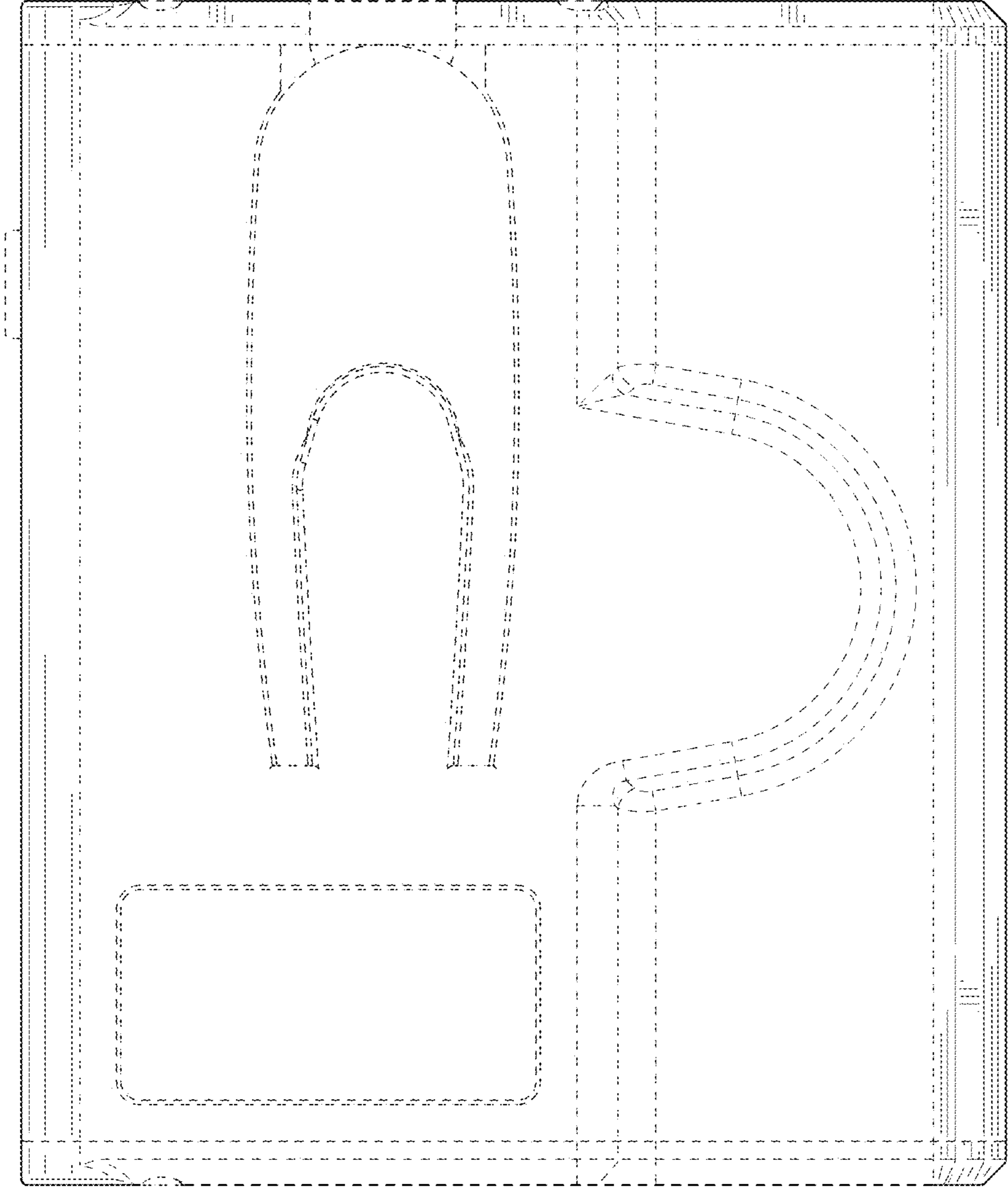


FIG. 5

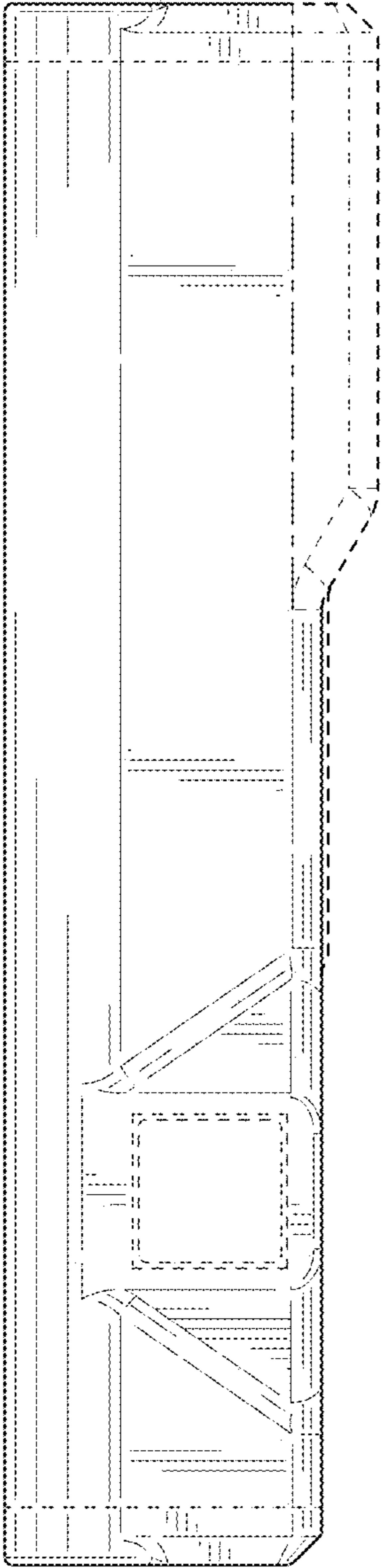


FIG. 7

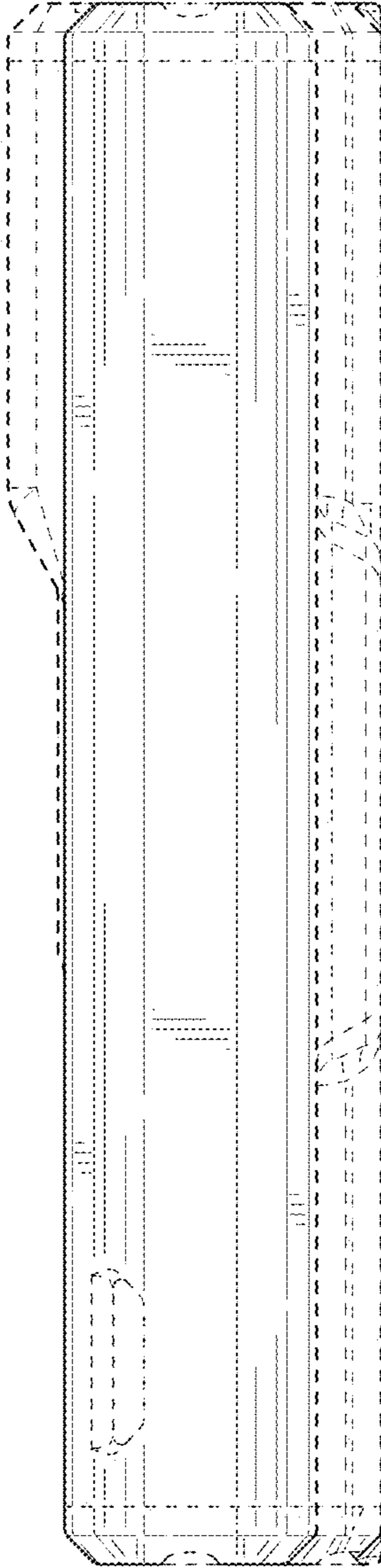


FIG. 8