



US0D1044502S

(12) **United States Design Patent** (10) **Patent No.: US D1,044,502 S**
de Leon Capozza et al. (45) **Date of Patent: ** Oct. 1, 2024**

(54) **BOTTLE** B65D 2501/0081; F25D 3/08; Y10S 215/00; Y10S 264/918

(71) Applicant: **PepsiCo, Inc.**, Purchase, NY (US) See application file for complete search history.

(72) Inventors: **Mirelle de Leon Capozza**, Newtown, CT (US); **Dmitriy Shmagin**, Palatine, IL (US); **Damien Z. Moyal**, Ypsilanti, MI (US); **John Siciliano**, Dexter, MI (US); **James M. Stelzer**, South Lyon, MI (US)

(56) **References Cited**

U.S. PATENT DOCUMENTS

1,244,413 A	10/1917	Bernardin	
1,866,313 A	7/1932	Lohman	
2,781,063 A	2/1957	Williams	
D231,087 S *	4/1974	Edwards D9/503
D320,559 S	10/1991	Olson	
D403,586 S	1/1999	Bakic	
D407,979 S	4/1999	Zemlo	
D477,225 S	7/2003	Pinnavaia	

(Continued)

(73) Assignee: **PepsiCo, Inc.**, Purchase, NY (US)

(**) Term: **15 Years**

(21) Appl. No.: **29/897,077**

(22) Filed: **Jul. 11, 2023**

OTHER PUBLICATIONS

20mm Bottle Plugs Secure Liquid Shipping Prevent Leaking Bottle Stoppers, Etsy, dated Oct. 31, 2022. <<https://etsy.me/3WhjxNb>>.

(Continued)

Related U.S. Application Data

(63) Continuation of application No. 29/859,082, filed on Nov. 7, 2022, now Pat. No. Des. 996,935, which is a continuation of application No. 29/794,419, filed on Jun. 11, 2021, now Pat. No. Des. 968,959.

Primary Examiner — Andrew Kerr

Assistant Examiner — Chariton Alexakis

(74) *Attorney, Agent, or Firm* — Sterne, Kessler, Goldstein & Fox P.L.L.C.

(51) **LOC (14) Cl.** **09-03**

(52) **U.S. Cl.**
USPC **D9/500; D7/523**

(57) **CLAIM**

The ornamental design for a bottle, as shown and described.

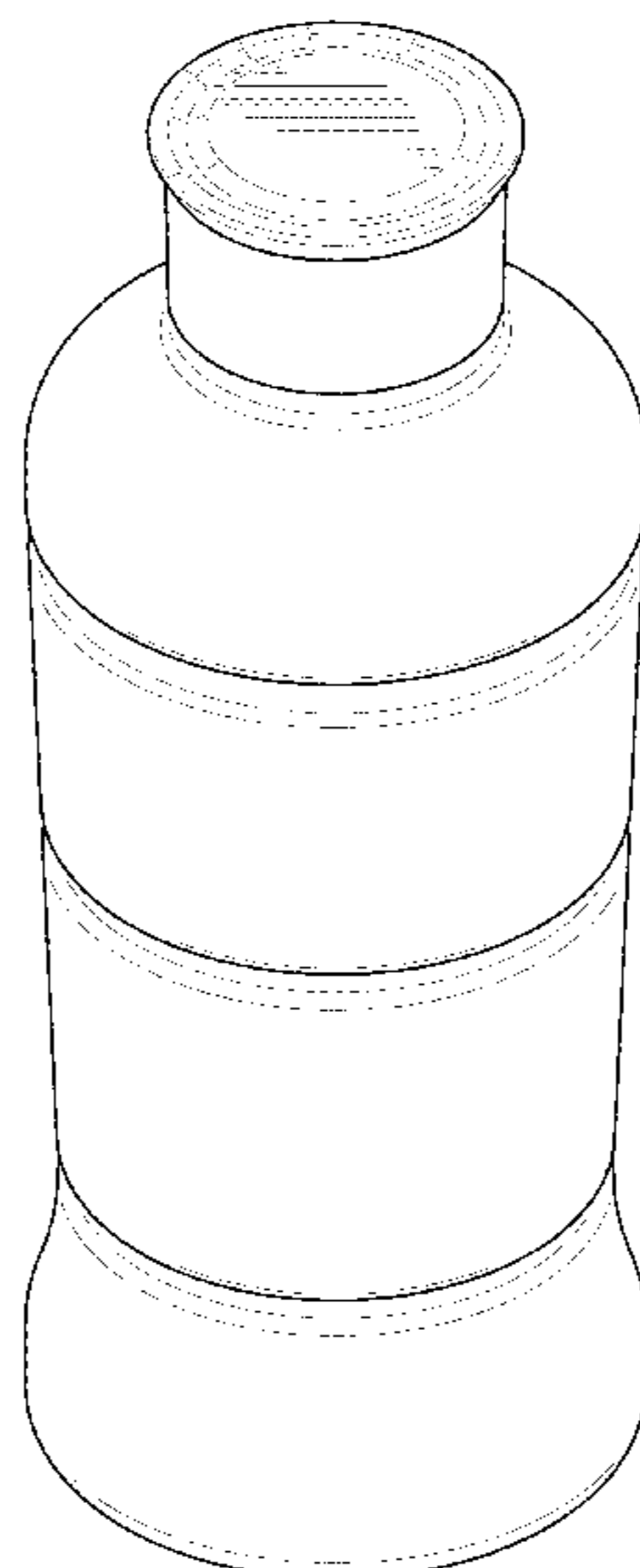
(58) **Field of Classification Search**

USPC D9/453, 500, 501, 502, 503, 504, 505, D9/516, 537, 538, 539, 540, 541, 542, D9/543, 544, 545, 549, 551, 552, 555, D9/556, 560, 567, 568, 569, 573, 574, D9/575, 715, 719, 738; D7/300, 300.1, D7/509, 510, 511, 523, 608
CPC B21D 22/28; B21D 51/26; B21D 51/2615; B29C 49/54; B65D 1/00; B65D 1/02; B65D 1/0207; B65D 1/0276; B65D 1/0223; B65D 1/023; B65D 1/0246; B65D 1/40; B65D 23/00; B65D 23/102; B65D 41/04; B65D 79/0084; B65D 81/00; B65D 2501/00; B65D 2501/0009;

DESCRIPTION

FIG. 1 is a top perspective view of a bottle showing the claimed design;
FIG. 2 is a bottom perspective view thereof;
FIG. 3 is a front view thereof;
FIG. 4 is a rear view thereof;
FIG. 5 is a left side view thereof;
FIG. 6 is a right side view thereof;
FIG. 7 is a top view thereof; and,
FIG. 8 is a bottom view thereof.

1 Claim, 7 Drawing Sheets



(56)

References Cited

U.S. PATENT DOCUMENTS

D528,419 S 9/2006 Robinson
 D553,498 S 10/2007 Cooney
 D569,253 S * 5/2008 Cracchiolo D9/503
 D581,279 S 11/2008 Oates
 D629,305 S 12/2010 Arnell et al.
 D631,349 S 1/2011 Arnell et al.
 D636,675 S 4/2011 Mongeon et al.
 D642,471 S 8/2011 White et al.
 D644,930 S 9/2011 White et al.
 D653,951 S 2/2012 Scott
 D655,176 S 3/2012 Kraft et al.
 D655,179 S 3/2012 Kraft et al.
 D655,180 S 3/2012 Kraft et al.
 D664,852 S * 8/2012 Weber-Trinkfass D9/503
 D667,306 S * 9/2012 Vereas D9/503
 D679,185 S 4/2013 Brown et al.
 D682,700 S 5/2013 White et al.
 D700,517 S * 3/2014 Oommen D9/500
 D710,196 S 8/2014 Ivosevic
 D726,539 S * 4/2015 Paredes D9/500
 D739,738 S 9/2015 Kawai
 D746,685 S 1/2016 Foley
 D746,688 S 1/2016 Yourist
 D754,542 S 4/2016 Shaw
 D791,593 S * 7/2017 Kim D9/503
 D796,957 S 9/2017 Joshi et al.
 D805,902 S 12/2017 Warner et al.
 9,969,520 B2 * 5/2018 Gill B65D 1/02
 D820,086 S 6/2018 Lynd et al.
 D828,165 S * 9/2018 Haughton D9/503
 D829,556 S 10/2018 Cartis et al.
 D830,181 S * 10/2018 Druart D9/502
 D845,772 S 4/2019 Hall et al.
 D871,219 S 12/2019 Mastny

D878,211 S 3/2020 Dutra et al.
 D887,271 S 6/2020 Hu et al.
 D888,558 S * 6/2020 Harris D9/500
 D889,264 S 7/2020 Cartis et al.
 D913,098 S 3/2021 Cavanaugh et al.
 D930,479 S * 9/2021 Harris D9/500
 11,117,701 B2 * 9/2021 Heisner B65D 1/0207
 D932,301 S 10/2021 Takaddus et al.
 D932,897 S 10/2021 Moyal et al.
 D934,689 S * 11/2021 Van Den Berg D9/503
 D937,679 S 12/2021 Severn et al.
 D942,275 S * 2/2022 Sanghavi D9/503
 D942,806 S 2/2022 Dean et al.
 D947,039 S * 3/2022 Tenenbaum D9/776
 D959,268 S 8/2022 Hume
 D968,959 S * 11/2022 de Leon Capozza D9/502
 D984,891 S 5/2023 May et al.
 D986,058 S 5/2023 Laible
 2020/0316446 A1 * 10/2020 Marino B65D 41/02
 2020/0391898 A1 * 12/2020 Antipin C03C 4/18

OTHER PUBLICATIONS

Cheap Custom Bottle Cap Reusable Vacuum Silicone Wine Bottle Stopper, Made in China, available at least as early as Dec. 22, 2022. <<https://okinchina.en.made-in-china.com/product/GONaqCAbJzhE/China-Cheap-Custom-Bottle-Cap-Reusable-Vacuum-Silicone-Wine-Bottle-Stopper.html>>.
 Wine Bottle Stoppers , Reusable and Unbreakable Silicone Bottle Caps Airtight Seal Stoppers for Wine Beverage and Beer Bottles, Walmart, available at least as early as Dec. 22, 2022. <<https://bit.ly/3YHQeFi>>.

* cited by examiner

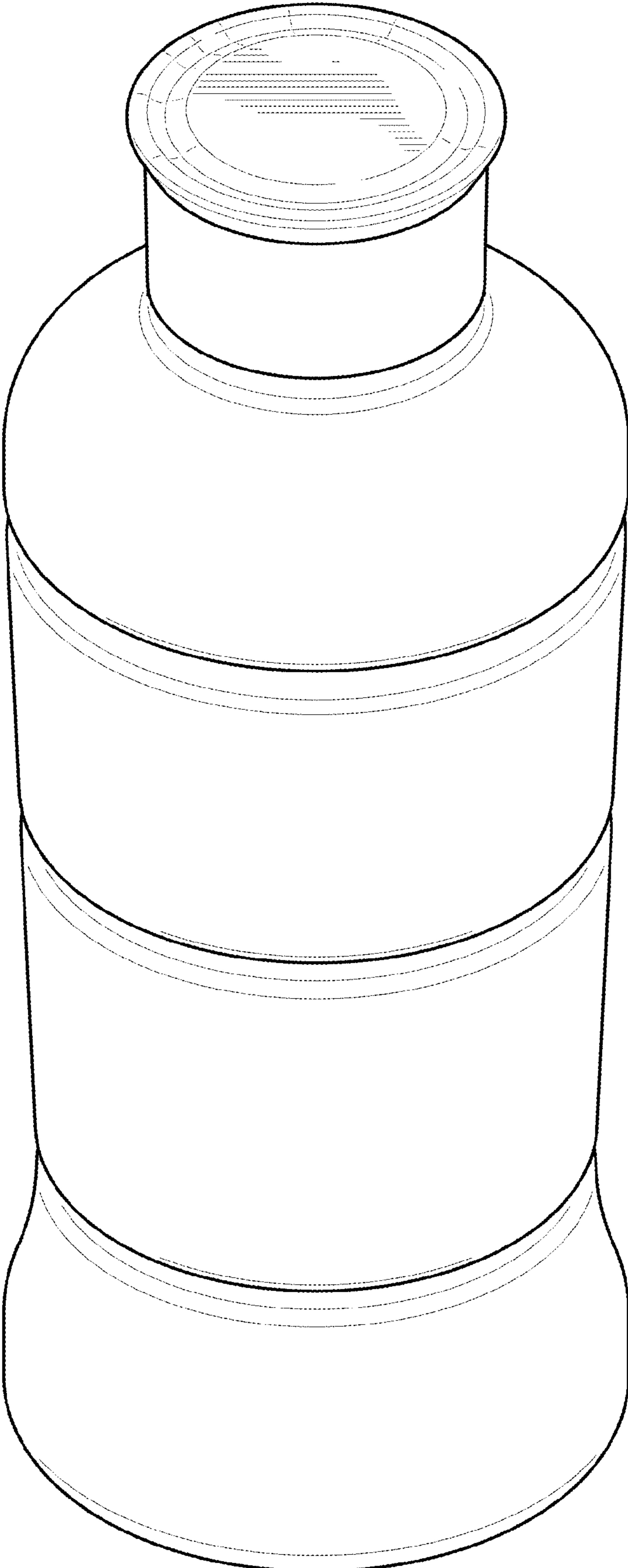


FIG. 1

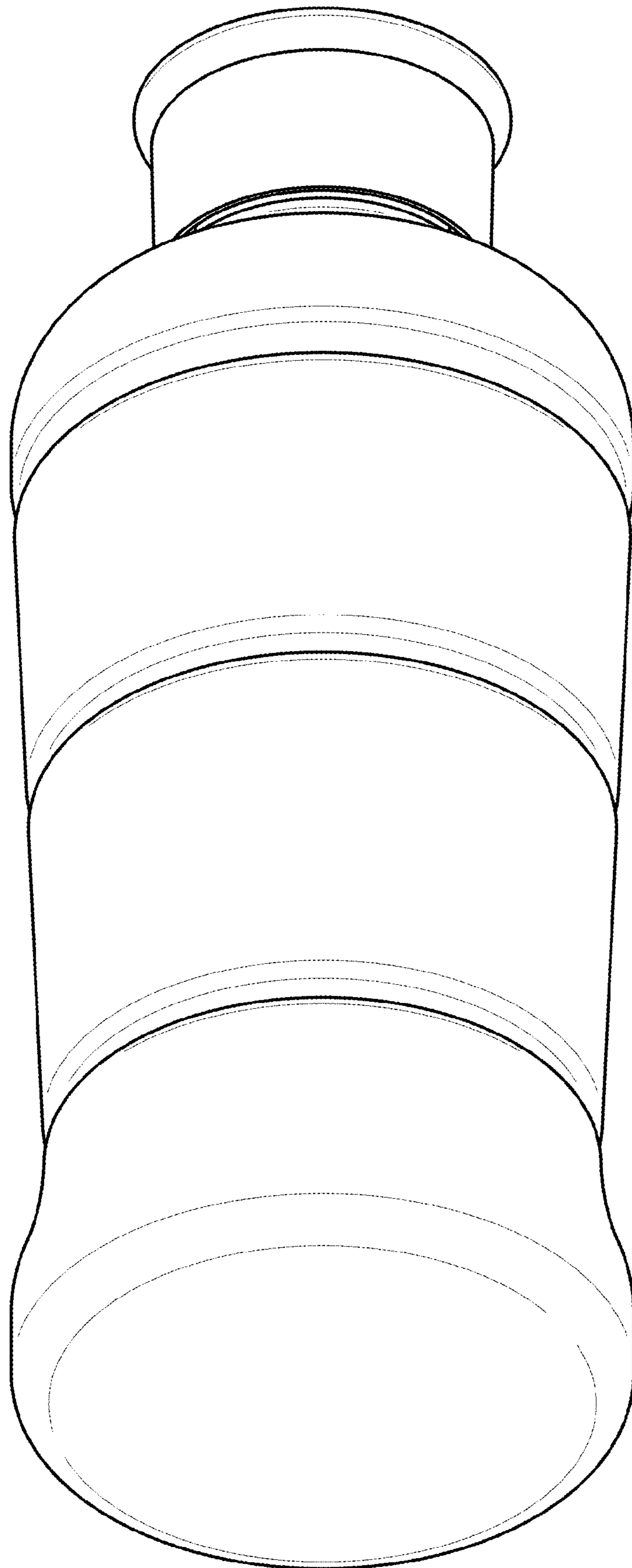


FIG. 2

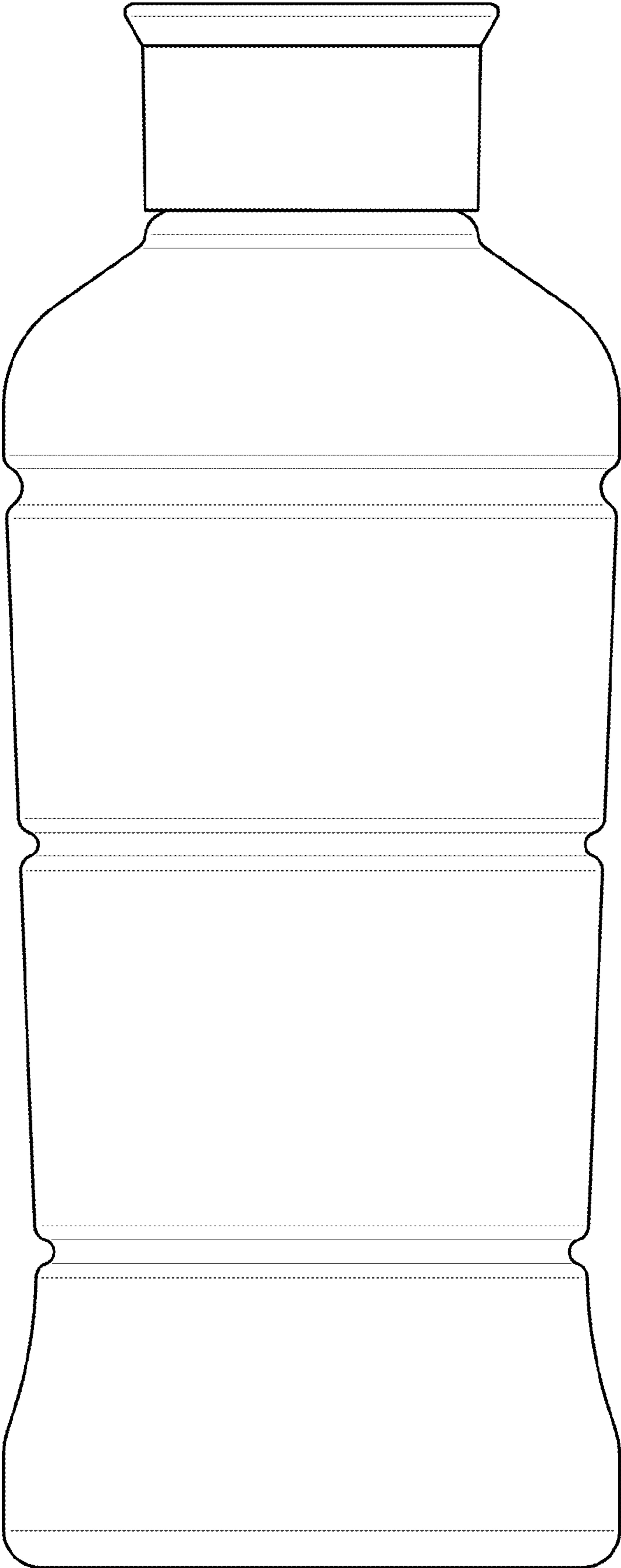


FIG. 3

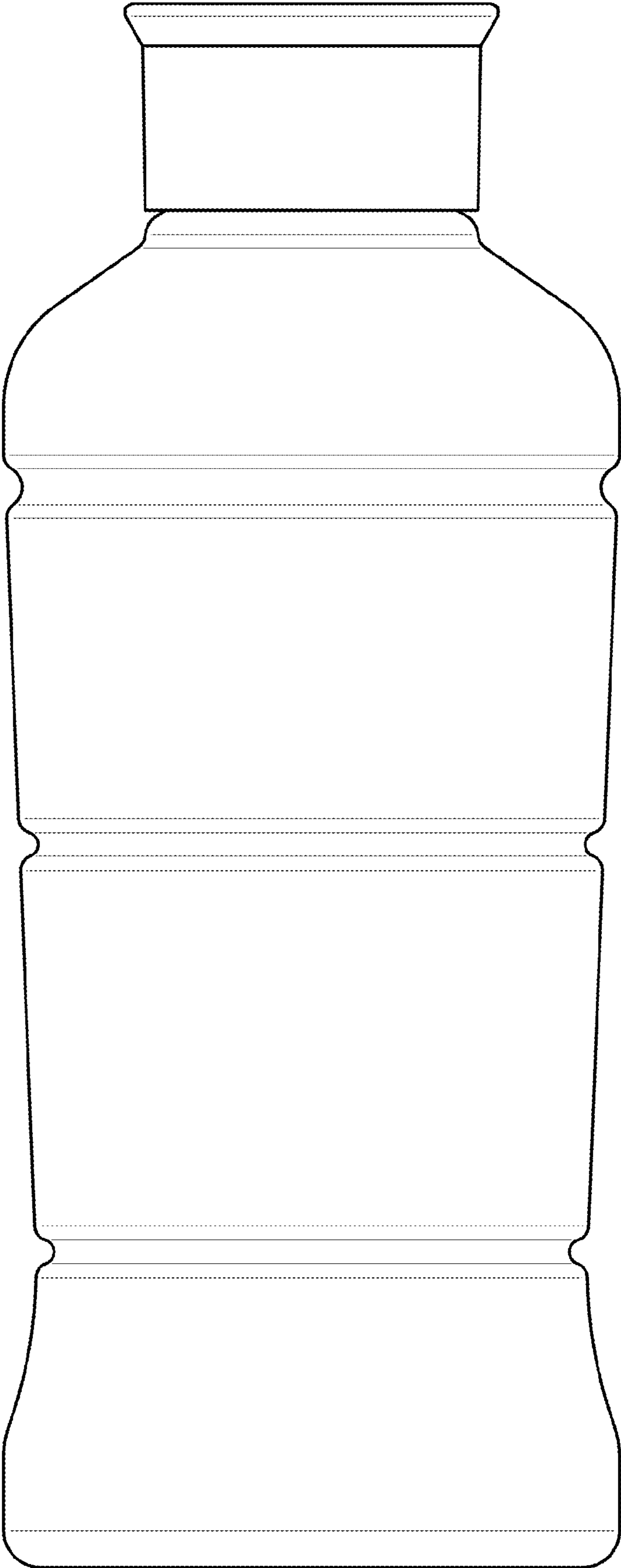


FIG. 4

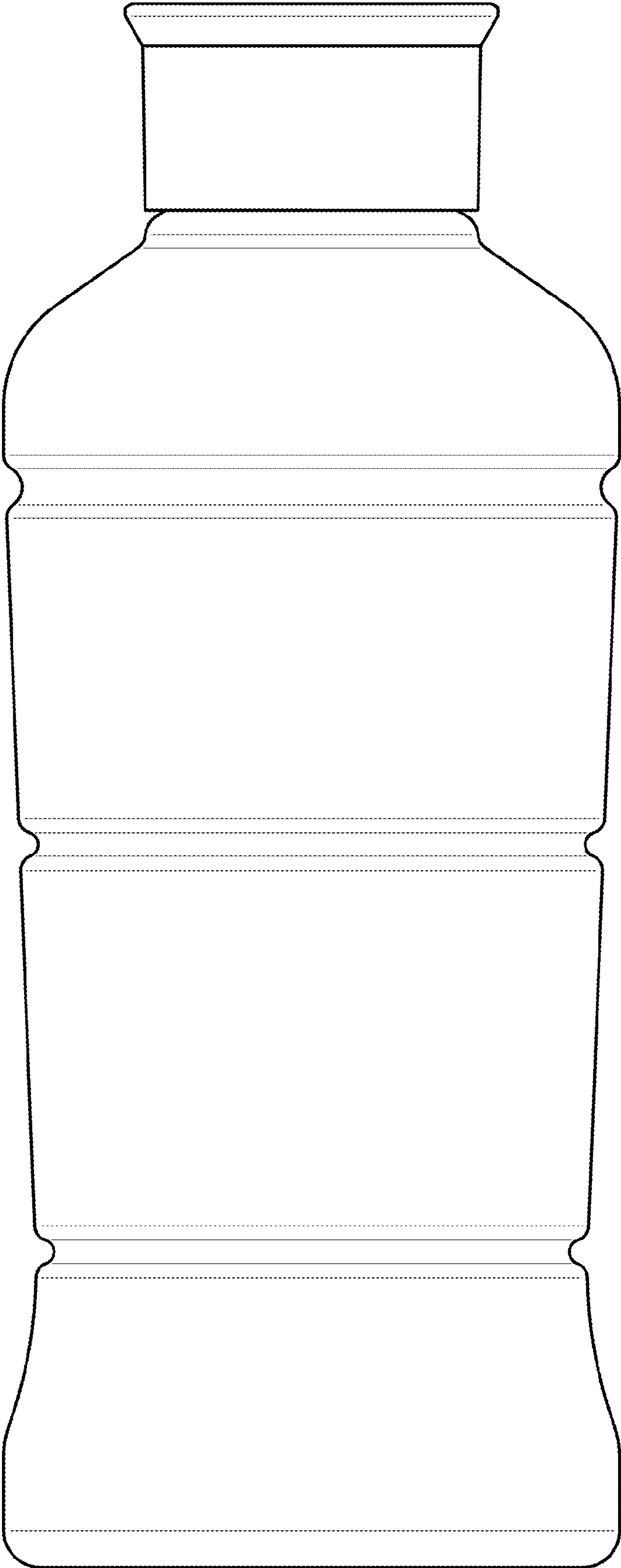


FIG. 5

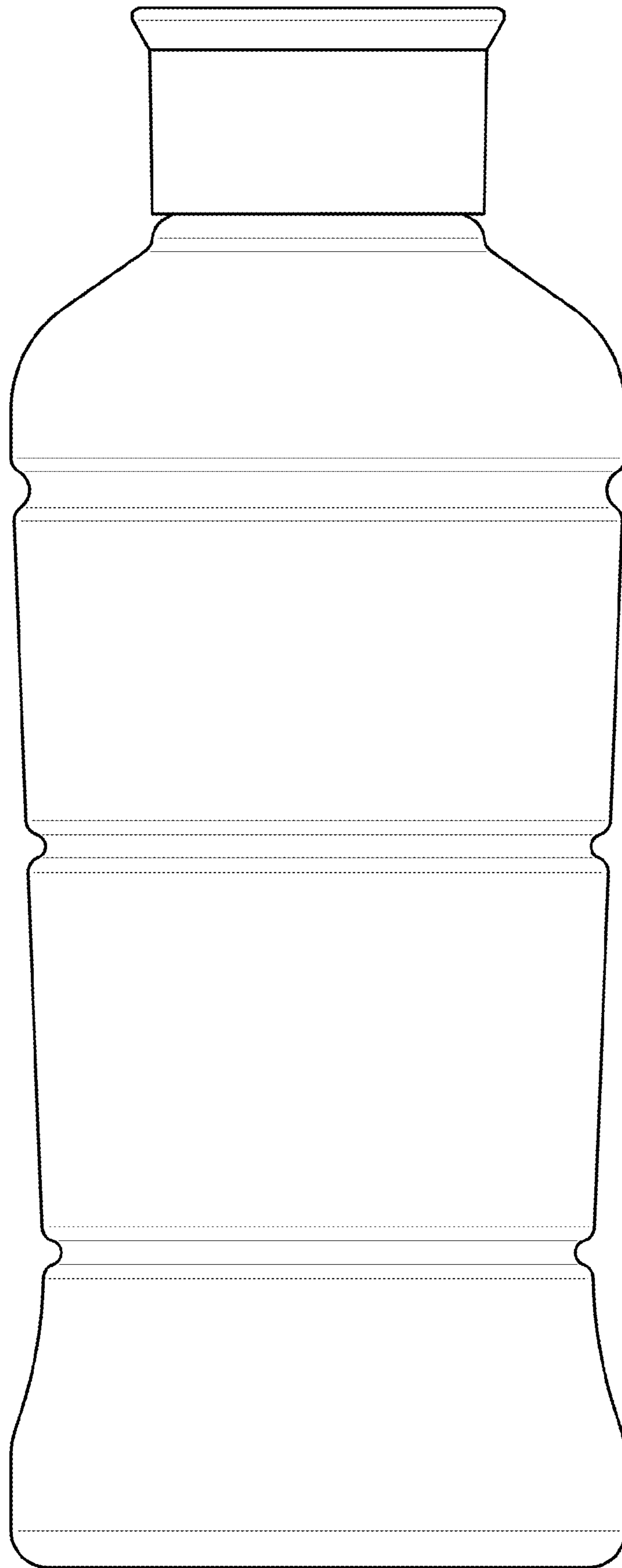


FIG. 6

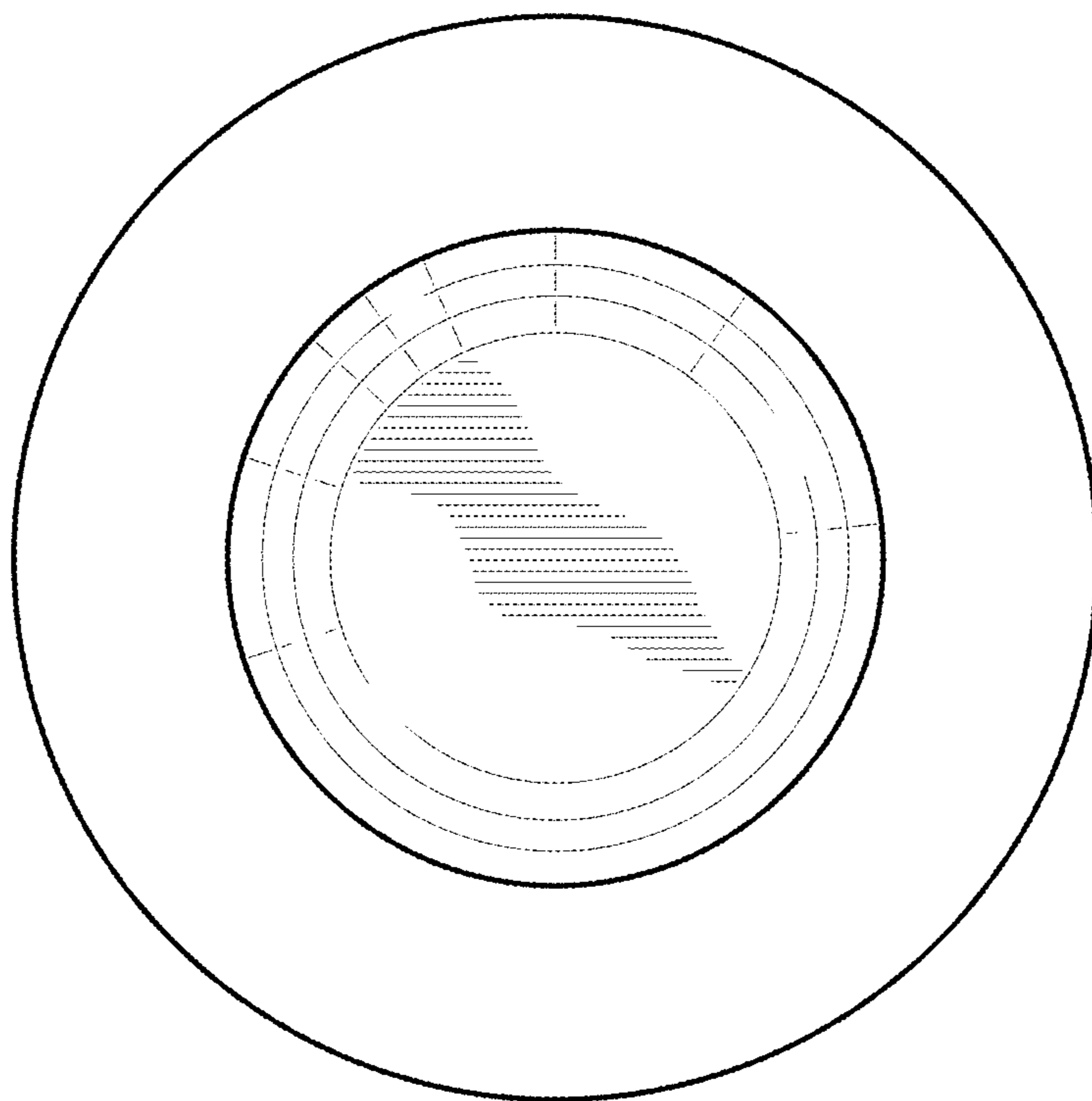


FIG. 7

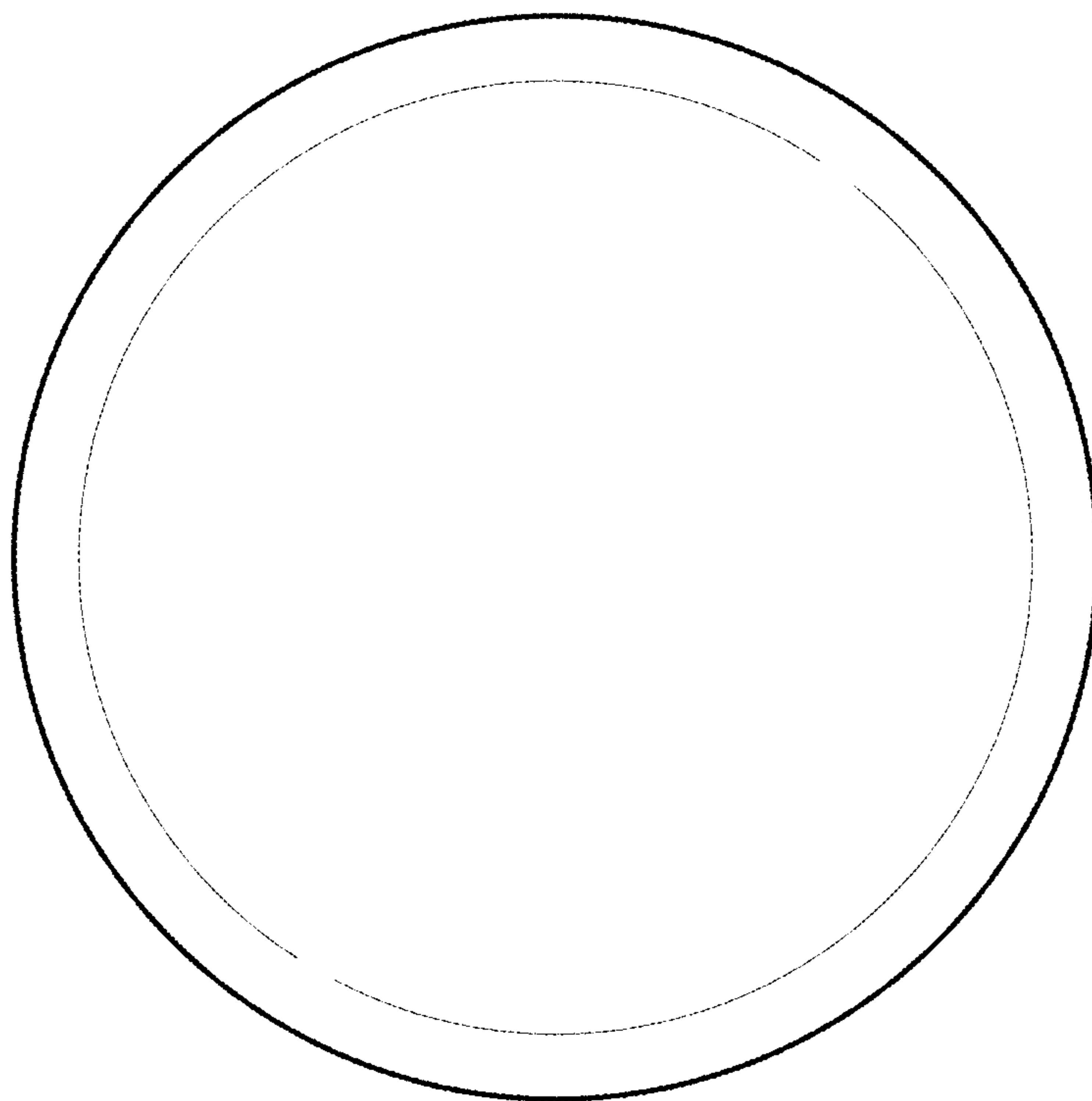


FIG. 8