



US0D1044479S

(12) **United States Design Patent** (10) **Patent No.:** **US D1,044,479 S**  
**Flowers** (45) **Date of Patent:** **\*\* Oct. 1, 2024**

(54) **UNIVERSAL WALL MOUNT FOR HOOKS**

(71) Applicant: **TNT Sports Equipment LLC,**  
Mitchell, SD (US)

(72) Inventor: **Thomas Dean Flowers,** Mitchell, SD  
(US)

(73) Assignee: **TNT SPORTS EQUIPMENT LLC,**  
Mitchell, SD (US)

(\*\*) Term: **15 Years**

(21) Appl. No.: **29/866,131**

(22) Filed: **Aug. 30, 2022**

(51) **LOC (14) Cl.** ..... **08-05**

(52) **U.S. Cl.**  
USPC ..... **D8/380**

(58) **Field of Classification Search**  
USPC ..... D8/349, 354, 380  
CPC ..... A47G 25/0678  
See application file for complete search history.

(56) **References Cited**

**U.S. PATENT DOCUMENTS**

1,188,227	A *	6/1916	Drewsen et al. ....	A47G 1/1686
				211/106.01
1,223,998	A *	4/1917	Maynard .....	A47G 1/1686
				248/307
4,352,478	A *	10/1982	Loew .....	A47G 25/0678
				248/223.41
4,362,285	A *	12/1982	Lewis .....	A47F 5/0068
				248/222.12
D315,093	S *	3/1991	Hanna .....	D8/380
D353,295	S *	12/1994	Bodine .....	D25/123
D357,407	S *	4/1995	Pate .....	D8/381

5,409,120	A	4/1995	Miller et al.	
D526,887	S *	8/2006	Remmers .....	D8/380
9,375,085	B2	1/2016	Derelöv	
D760,403	S *	6/2016	Bilge .....	D25/125
D767,381	S *	9/2016	Libreiro .....	D8/382
D799,306	S *	10/2017	Lee .....	D8/354
D813,443	S *	3/2018	Matteson .....	D26/138
10,098,479	B1	10/2018	Muellerleile	
D834,928	S *	12/2018	Lu .....	D8/381
2007/0251904	A1	11/2007	Winig et al.	
2008/0283482	A1	11/2008	Torke	

\* cited by examiner

*Primary Examiner* — Calvin E Vansant  
*Assistant Examiner* — Benjamin L. Gray

(57) **CLAIM**

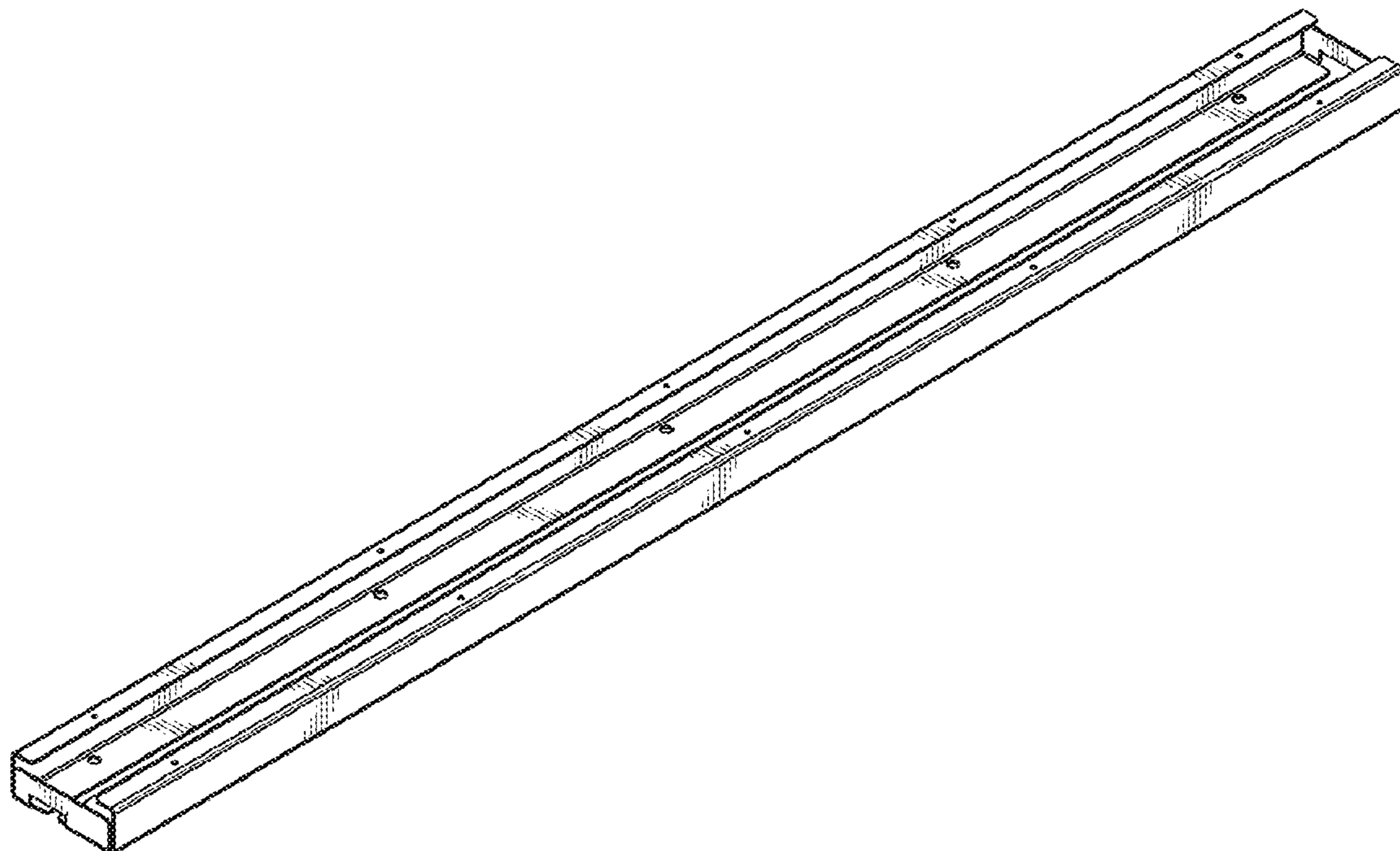
The ornamental design for a universal wall mount for hooks, as shown and described.

**DESCRIPTION**

FIG. 1 is a top front perspective view of a universal wall mount for hooks showing my new design; FIG. 2 is a top rear perspective view thereof; FIG. 3 is a bottom front perspective view thereof; FIG. 4 is a bottom rear perspective view thereof; FIG. 5 is a front elevational view thereof; FIG. 6 is a rear elevational view thereof; FIG. 7 is a right-side elevational view thereof; FIG. 8 is a left-side elevational view thereof; FIG. 9 is a top plan view thereof; and, FIG. 10 is a bottom plan view thereof.

The broken line showing hooks in FIG. 4 is included for the purpose of illustrating environmental structure and forms no part of the claimed design.

**1 Claim, 10 Drawing Sheets**



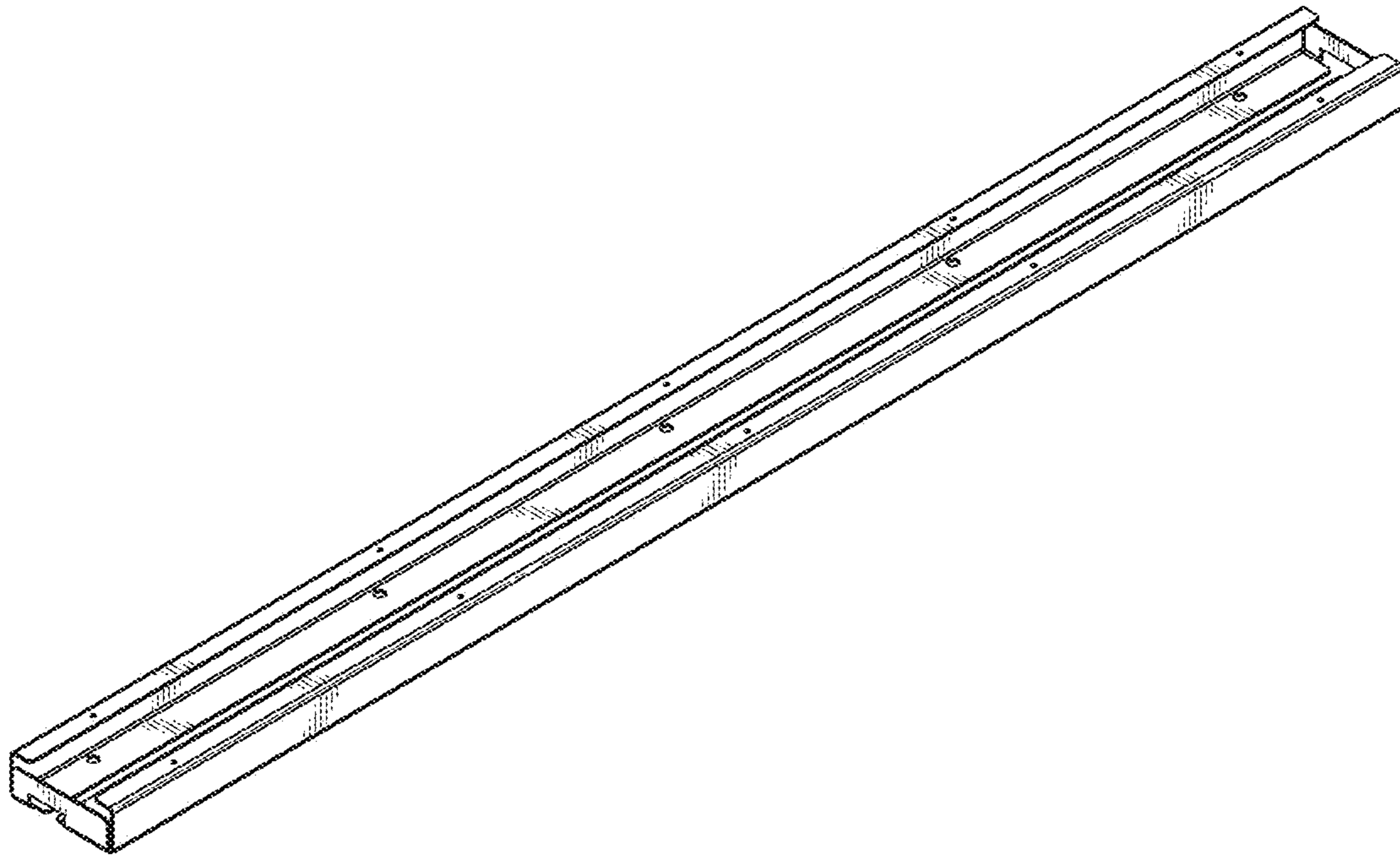


FIG. 1

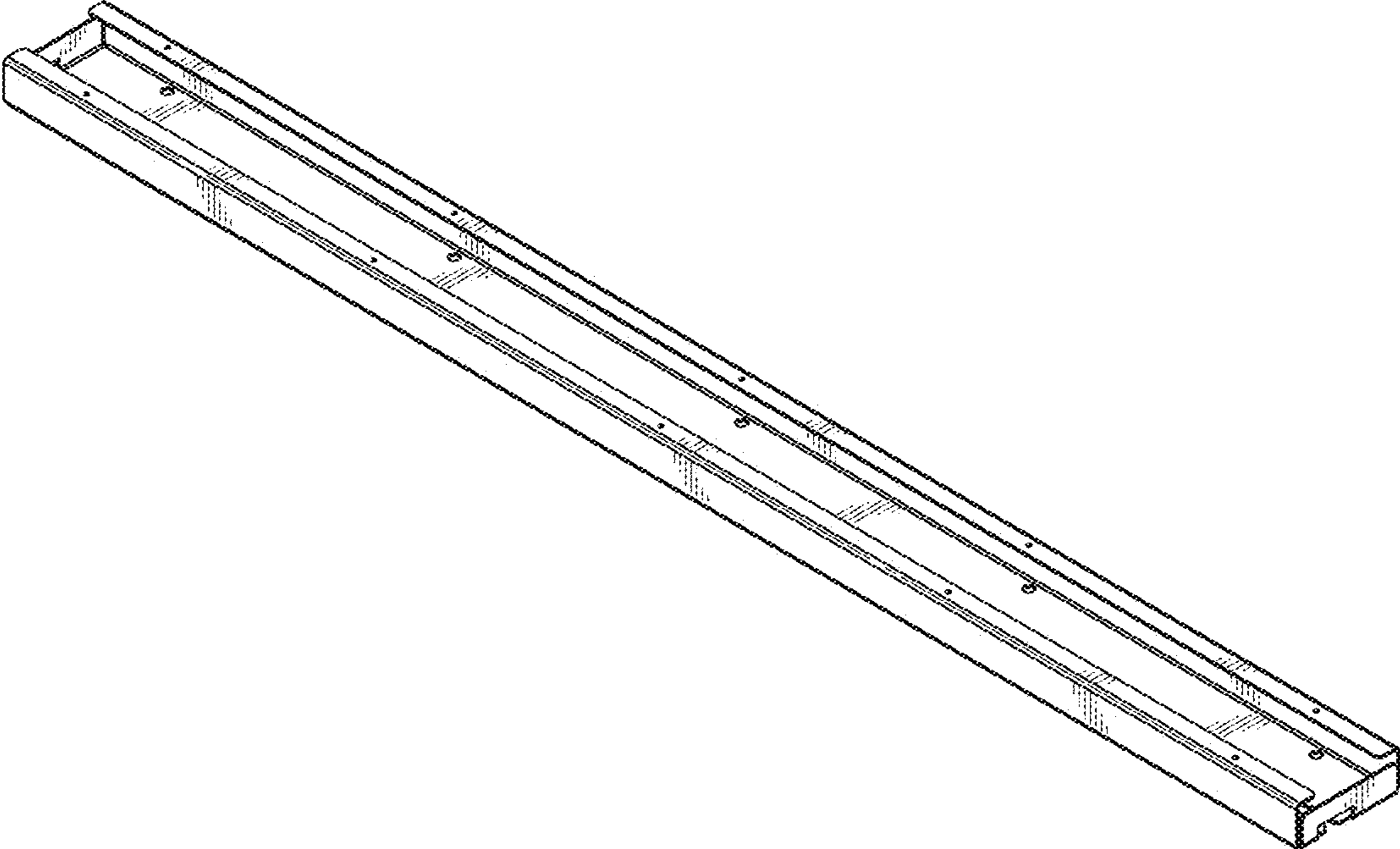


FIG. 2

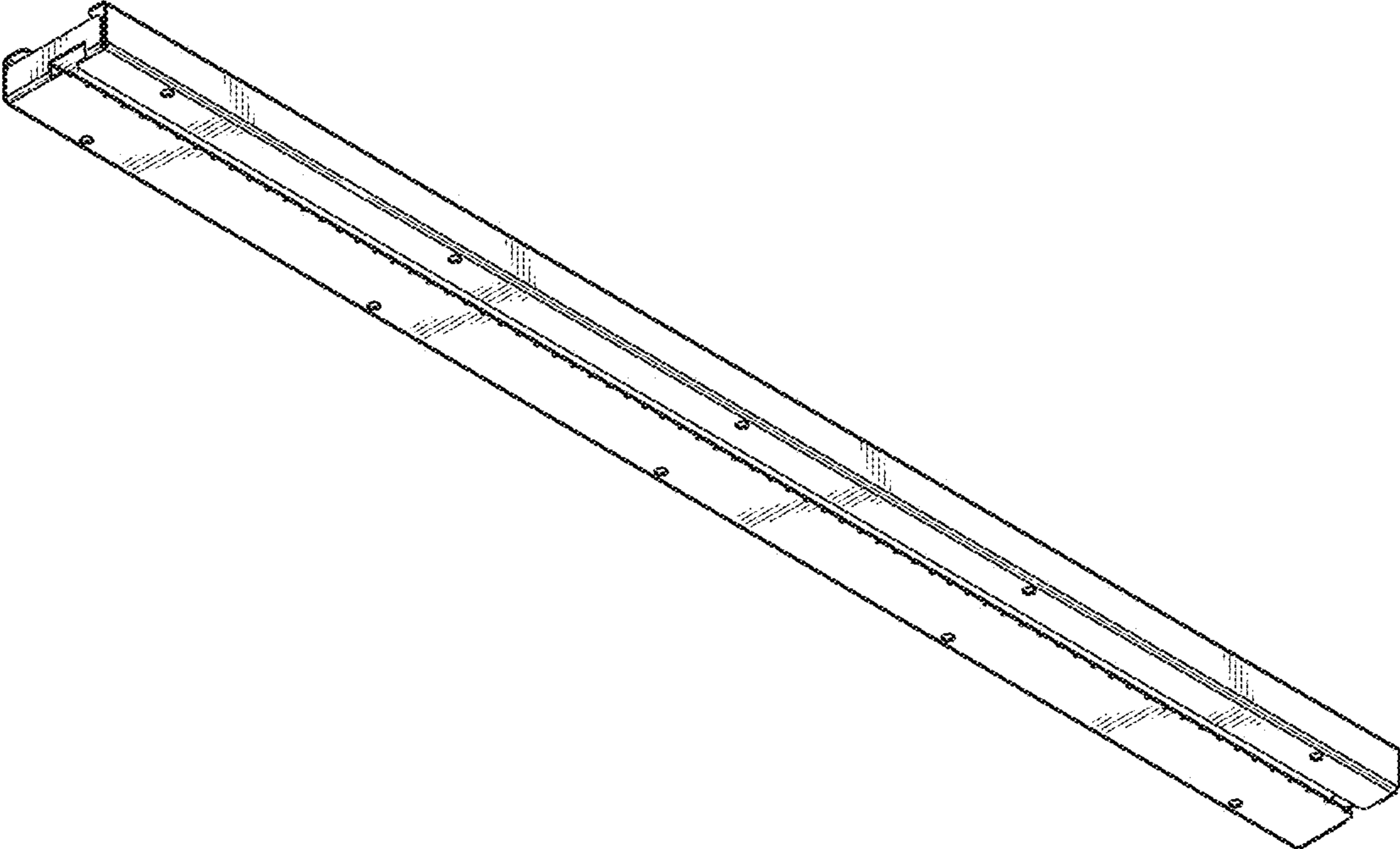


FIG. 3

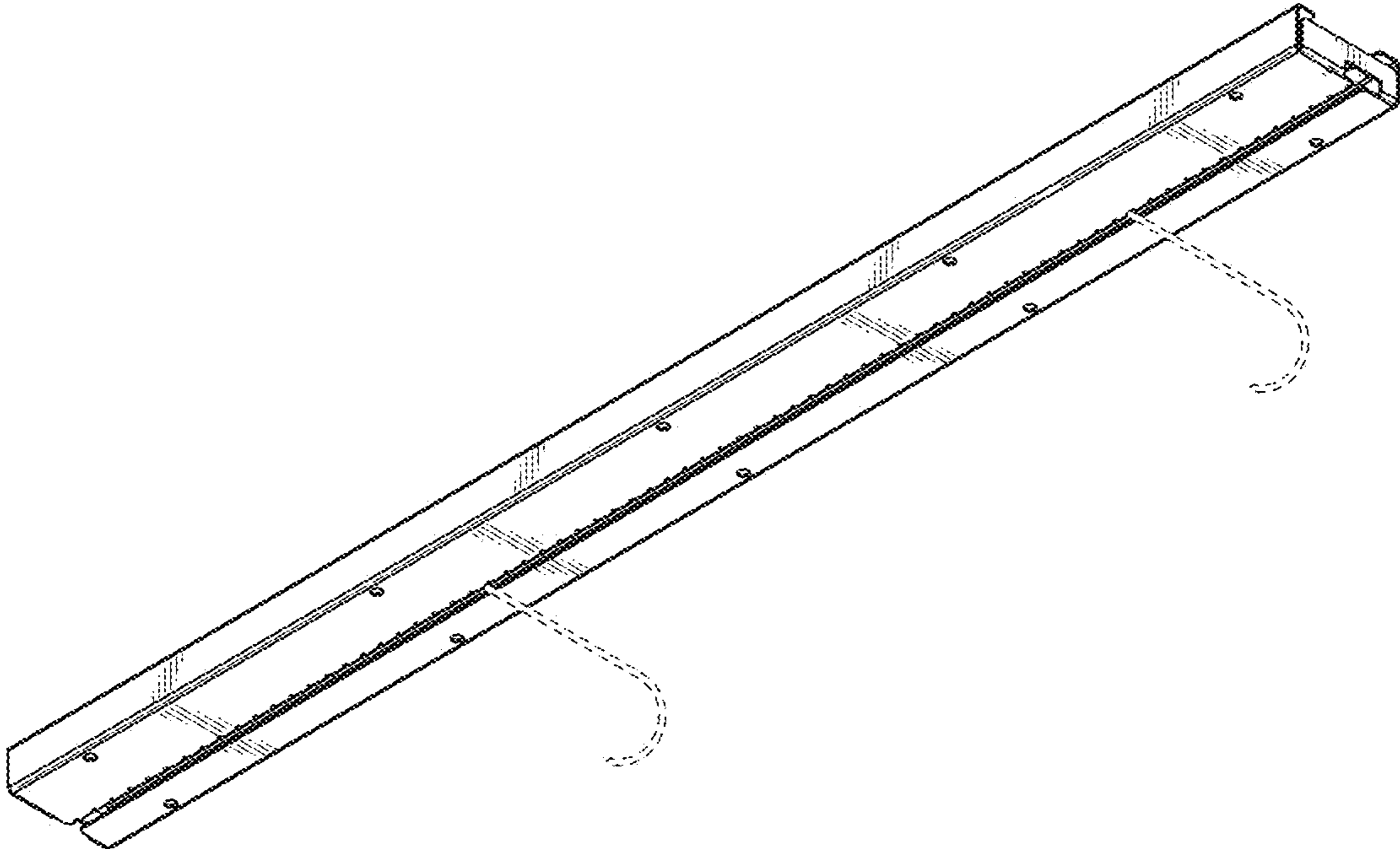


FIG. 4

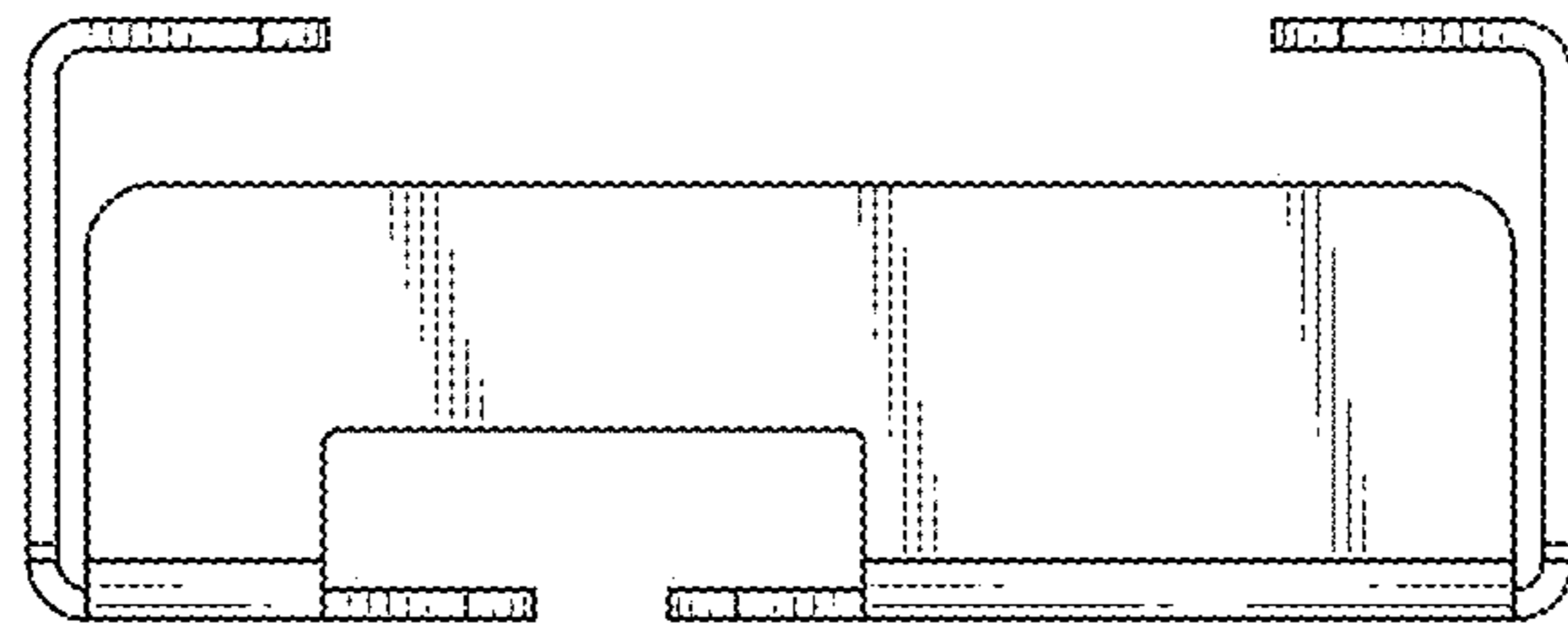


FIG. 5



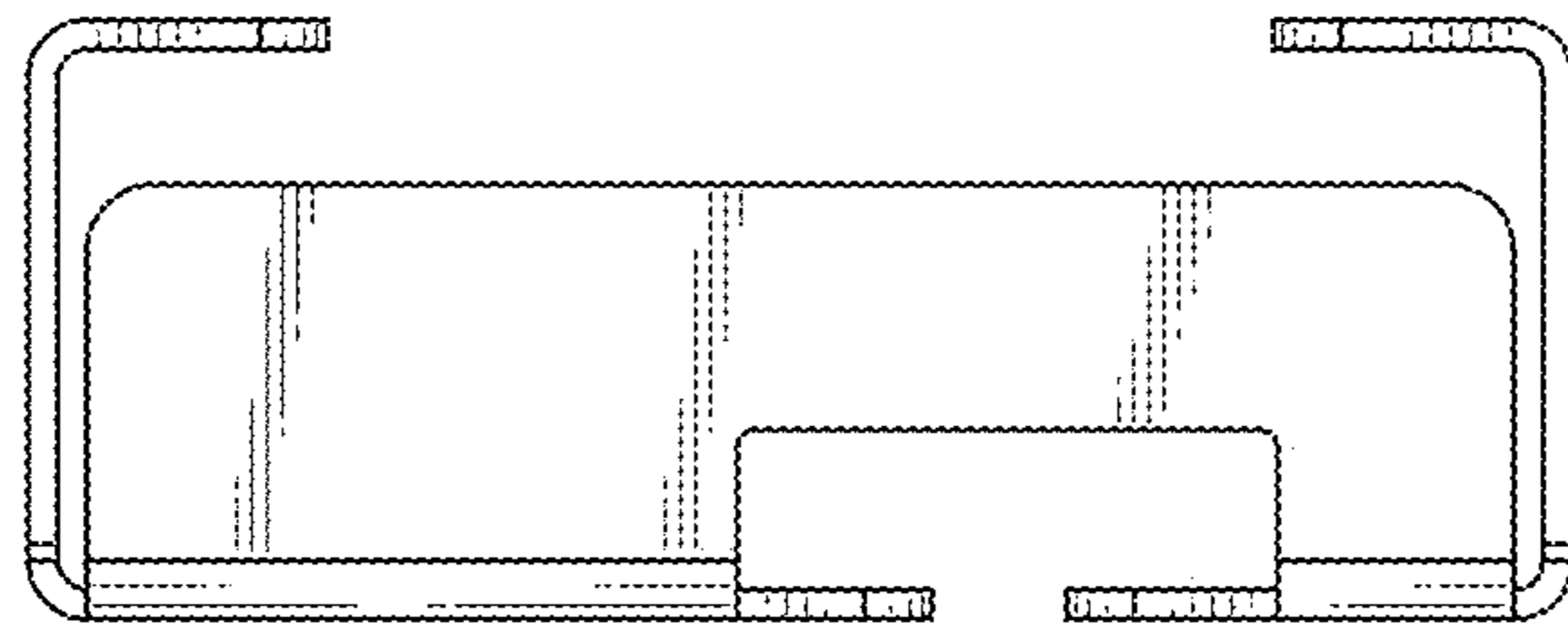


FIG. 6

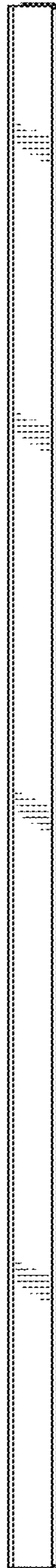


FIG. 7



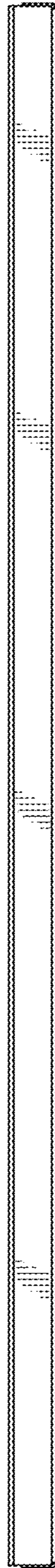


FIG. 8

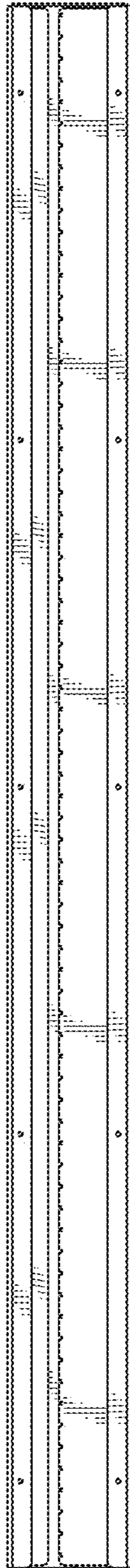


FIG. 9

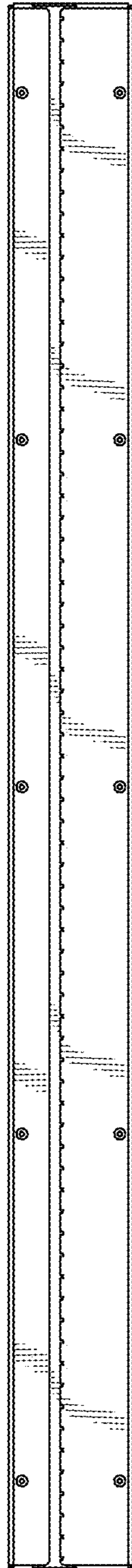


FIG. 10