



US0D1044364S

(12) **United States Design Patent** (10) **Patent No.:** **US D1,044,364 S**  
**Jiang** (45) **Date of Patent:** **\*\* Oct. 1, 2024**

(54) **CONNECTOR**  
(71) Applicant: **Meilin Jiang**, Zhejiang (CN)  
(72) Inventor: **Meilin Jiang**, Zhejiang (CN)  
(\*\*) Term: **15 Years**  
(21) Appl. No.: **29/848,471**  
(22) Filed: **Aug. 3, 2022**

D848,828 S \* 5/2019 Zhu ..... D8/382  
D848,829 S \* 5/2019 Zhu ..... D8/382  
D885,170 S \* 5/2020 McMullin ..... D8/382  
D891,808 S \* 8/2020 Zhu ..... D6/376  
D897,129 S \* 9/2020 Jin ..... D6/392  
D897,712 S \* 10/2020 Hu ..... D6/368  
D906,794 S \* 1/2021 Chen ..... D8/382  
D910,356 S \* 2/2021 Johnson ..... D6/709  
D917,371 S \* 4/2021 Harriton ..... D8/382  
D927,210 S \* 8/2021 Chang ..... D6/368  
D927,211 S \* 8/2021 Chang ..... D6/368

(Continued)

(30) **Foreign Application Priority Data**

Jun. 15, 2022 (CN) ..... 202230365588.6  
(51) **LOC (14) Cl.** ..... **06-06**  
(52) **U.S. Cl.**  
USPC ..... **D6/708.16**; D8/382  
(58) **Field of Classification Search**  
USPC ..... D8/382; D6/368, 708.16, 708, 392  
CPC ..... A47C 4/286; A47C 9/10; A47B 3/14  
See application file for complete search history.

**FOREIGN PATENT DOCUMENTS**

CN 308332723 \* 11/2023  
KR 301240618.0000 \* 12/2023

*Primary Examiner* — Rachel A. Voorhies  
*Assistant Examiner* — Benjamin D. Wannemacher  
(74) *Attorney, Agent, or Firm* — JCIPRNET

(57) **CLAIM**

The ornamental design for a connector, as shown and described.

(56) **References Cited**

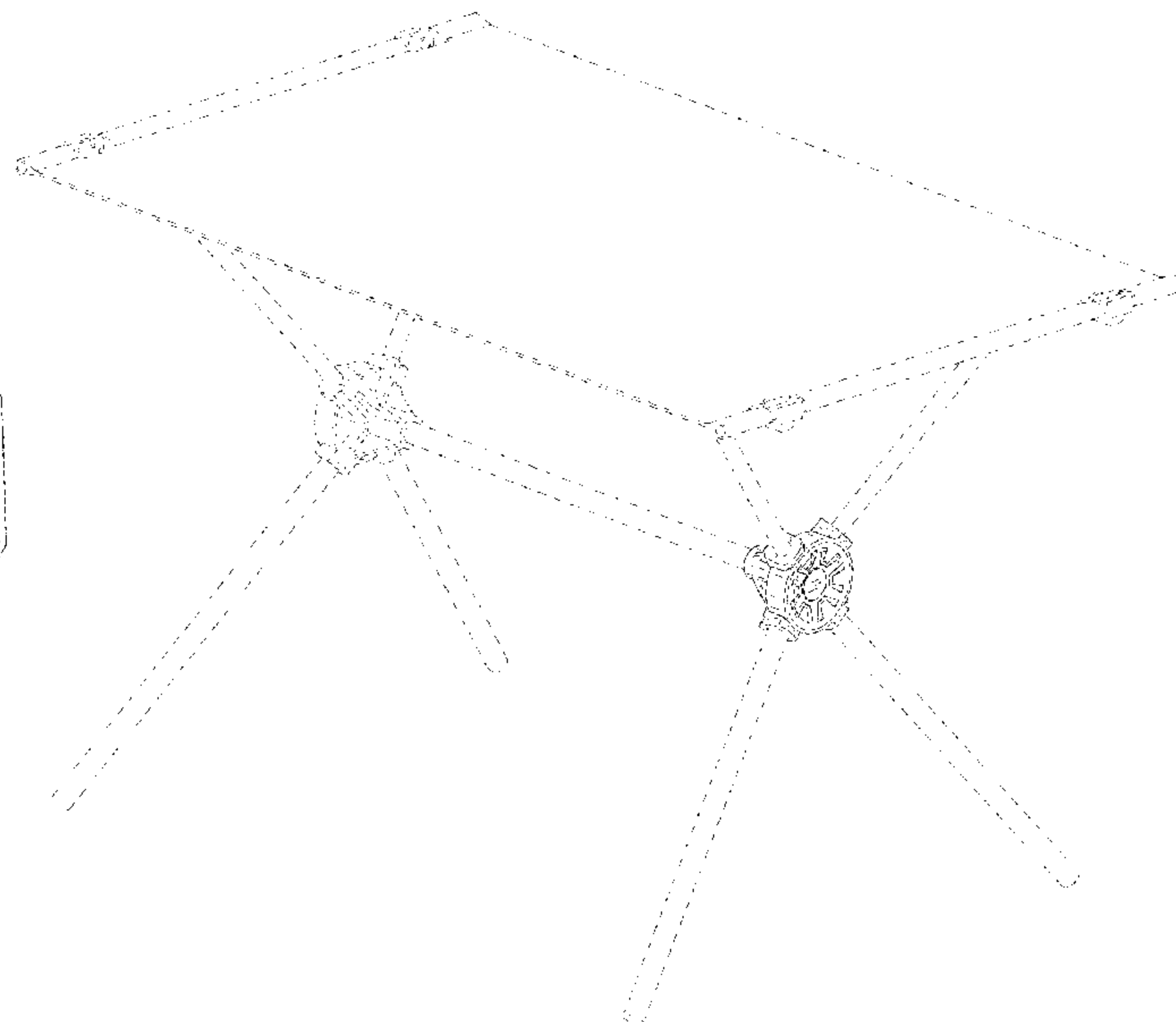
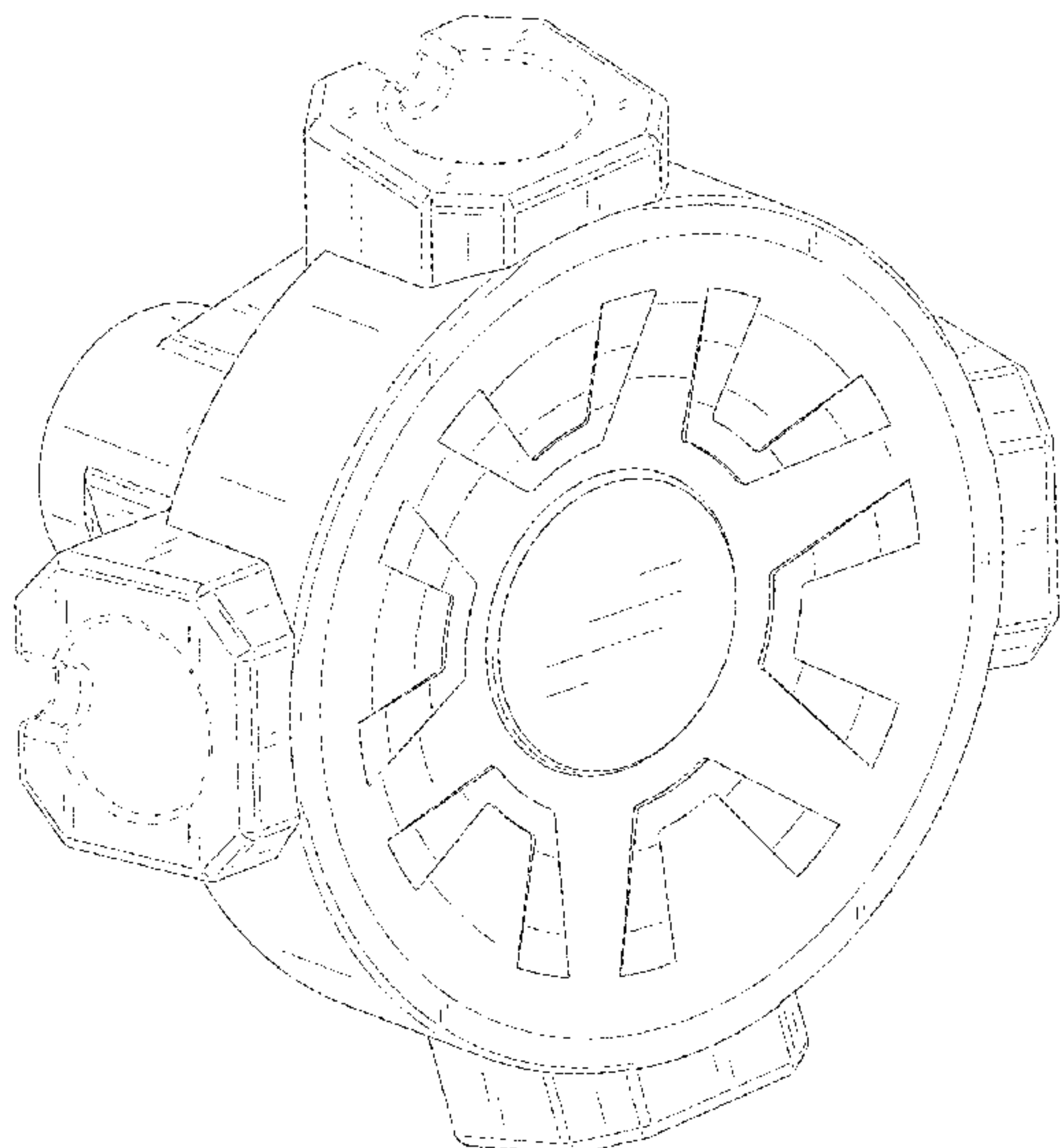
**U.S. PATENT DOCUMENTS**

D127,080 S \* 5/1941 Becker ..... D6/363  
D297,303 S \* 8/1988 Finklestein ..... D8/382  
D373,720 S \* 9/1996 Hirano ..... D8/382  
D375,451 S \* 11/1996 Ohkubo ..... D8/382  
D464,820 S \* 10/2002 Kreiss ..... D6/368  
6,575,422 B1 \* 6/2003 Zheng ..... F16M 11/242  
108/118  
D482,884 S \* 12/2003 Plant ..... D6/368  
D483,194 S \* 12/2003 Plant ..... D6/368  
D548,475 S \* 8/2007 Ritch ..... D6/368  
7,568,253 B2 \* 8/2009 de la Chevortiere ..... E01D 6/00  
14/14  
8,528,291 B2 \* 9/2013 Allred, III ..... E04C 3/08  
52/81.3  
9,402,467 B2 \* 8/2016 Baoqing ..... A47B 3/002  
D820,072 S \* 6/2018 Choi ..... D8/382  
10,194,751 B1 \* 2/2019 Frankel ..... A47C 9/105

**DESCRIPTION**

FIG. 1 is an enlarged perspective view of a connector showing my new design;  
FIG. 2 is a front view thereof;  
FIG. 3 is a rear view thereof;  
FIG. 4 is a left side view thereof;  
FIG. 5 is a right side view thereof;  
FIG. 6 is a top view thereof;  
FIG. 7 is a bottom view thereof; and,  
FIG. 8 is a perspective view thereof in a state of use.  
The dashed broken lines in the drawings illustrate portions of the connector that form no part of the claimed design. The dashed broken lines in FIG. 8 illustrate environmental structure and form no part of the claimed design.

**1 Claim, 5 Drawing Sheets**



(56)

## References Cited

## U.S. PATENT DOCUMENTS

D946,392 S \* 3/2022 Lah ..... D8/382  
D947,561 S \* 4/2022 Hu ..... D6/368  
D947,586 S \* 4/2022 Lah ..... D6/708.16  
11,304,537 B2 \* 4/2022 Liu ..... A47D 13/061  
D977,857 S \* 2/2023 Chang ..... D6/368  
11,786,041 B1 \* 10/2023 Chen ..... A47C 9/105  
297/16.1  
D1,005,760 S \* 11/2023 Wang ..... D6/708.16  
11,864,660 B1 \* 1/2024 Wang ..... F16M 11/247  
11,871,848 B1 \* 1/2024 Wang ..... A47C 1/03261  
11,918,123 B2 \* 3/2024 Zhu ..... A47C 17/64  
D1,024,587 S \* 4/2024 Tang ..... D6/368  
D1,025,629 S \* 5/2024 Hu ..... D6/708  
11,986,103 B1 \* 5/2024 Li ..... A47C 4/30  
D1,031,295 S \* 6/2024 Min ..... D6/368  
D1,031,781 S \* 6/2024 Sprowl ..... D21/495  
2016/0262534 A1 \* 9/2016 Frankel ..... A47C 4/14  
2016/0338506 A1 \* 11/2016 Yang ..... A47D 13/063  
2019/0029430 A1 \* 1/2019 Yang ..... A47C 4/44  
2021/0015263 A1 \* 1/2021 Lah ..... A47C 5/10  
2023/0037907 A1 \* 2/2023 Zhu ..... A47C 4/28  
2023/0232978 A1 \* 7/2023 Xu ..... A47B 3/0912  
108/115  
2024/0081534 A1 \* 3/2024 Zhang ..... A47C 7/002  
2024/0138571 A1 \* 5/2024 Yuan ..... A47C 4/286  
2024/0164545 A1 \* 5/2024 Hong ..... A47C 4/286

\* cited by examiner

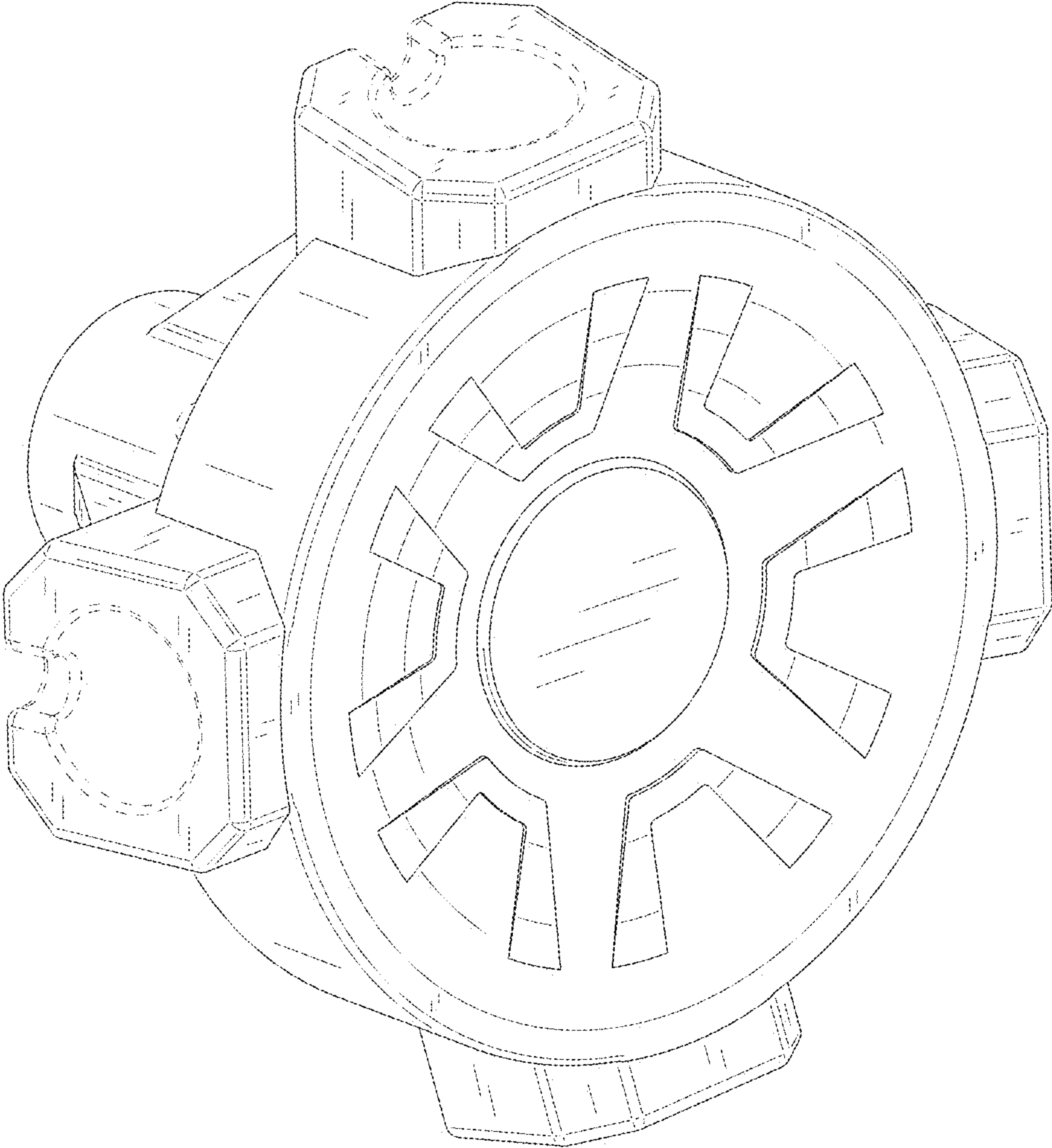


FIG. 1



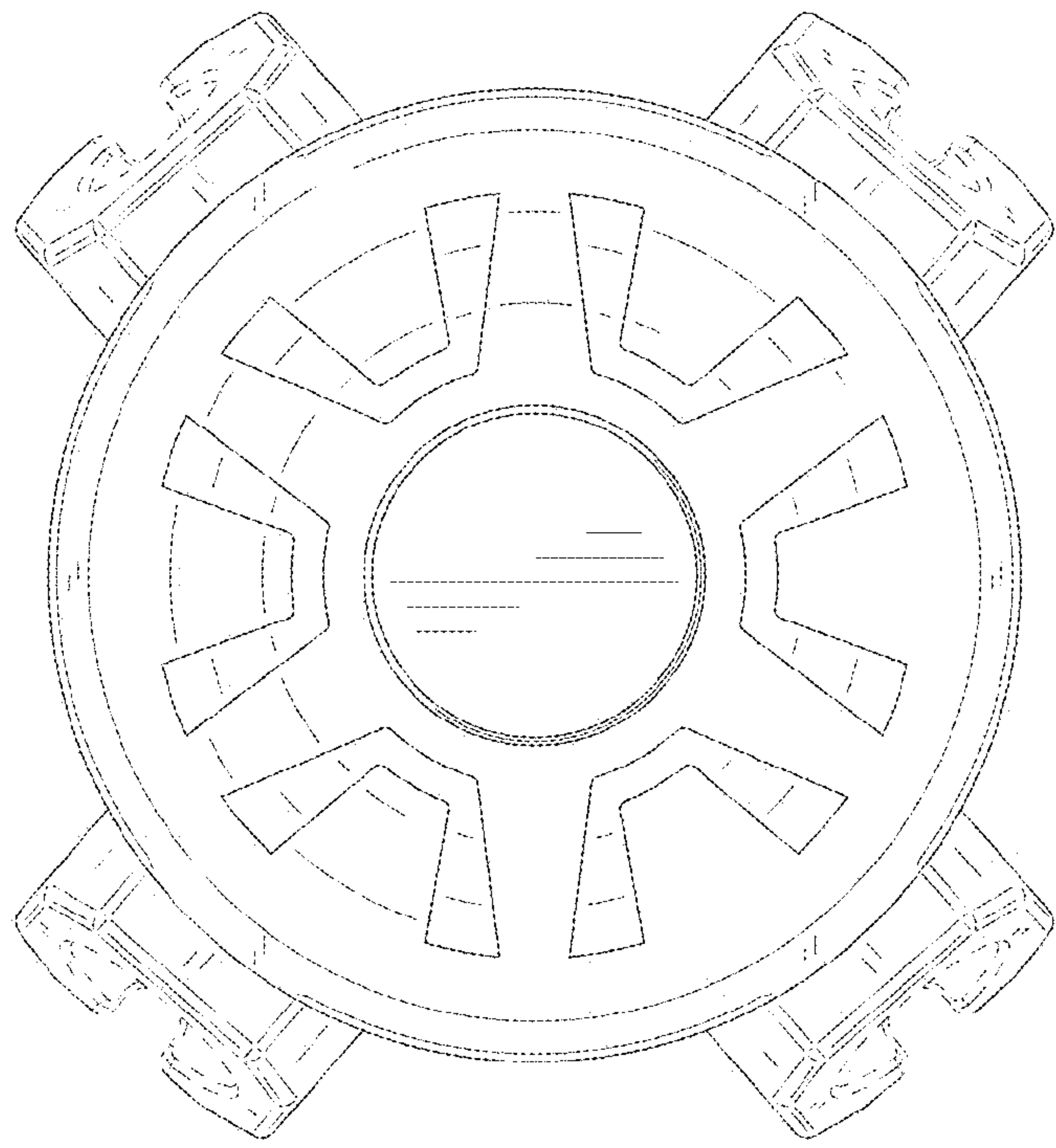


FIG. 2

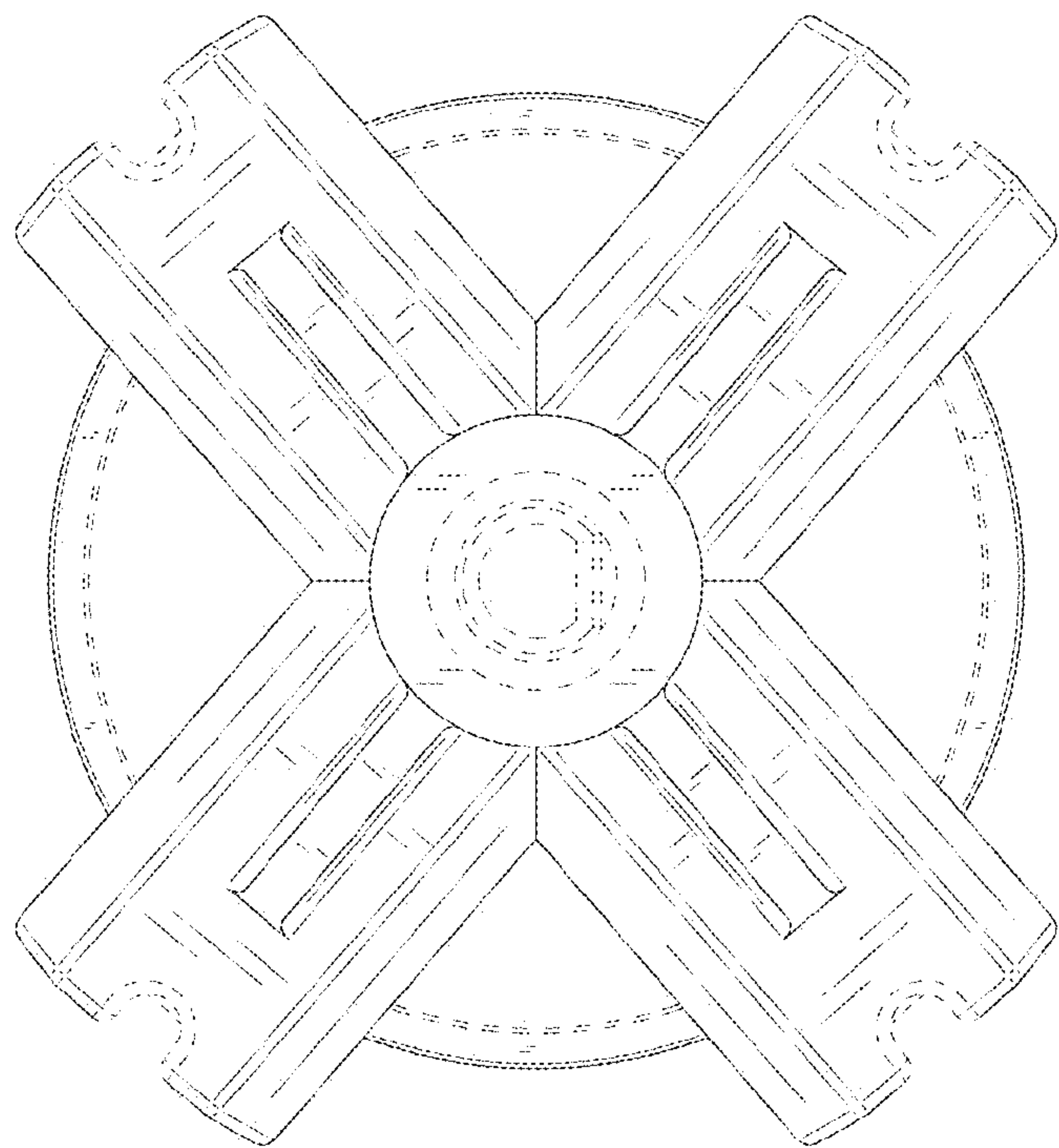


FIG. 3

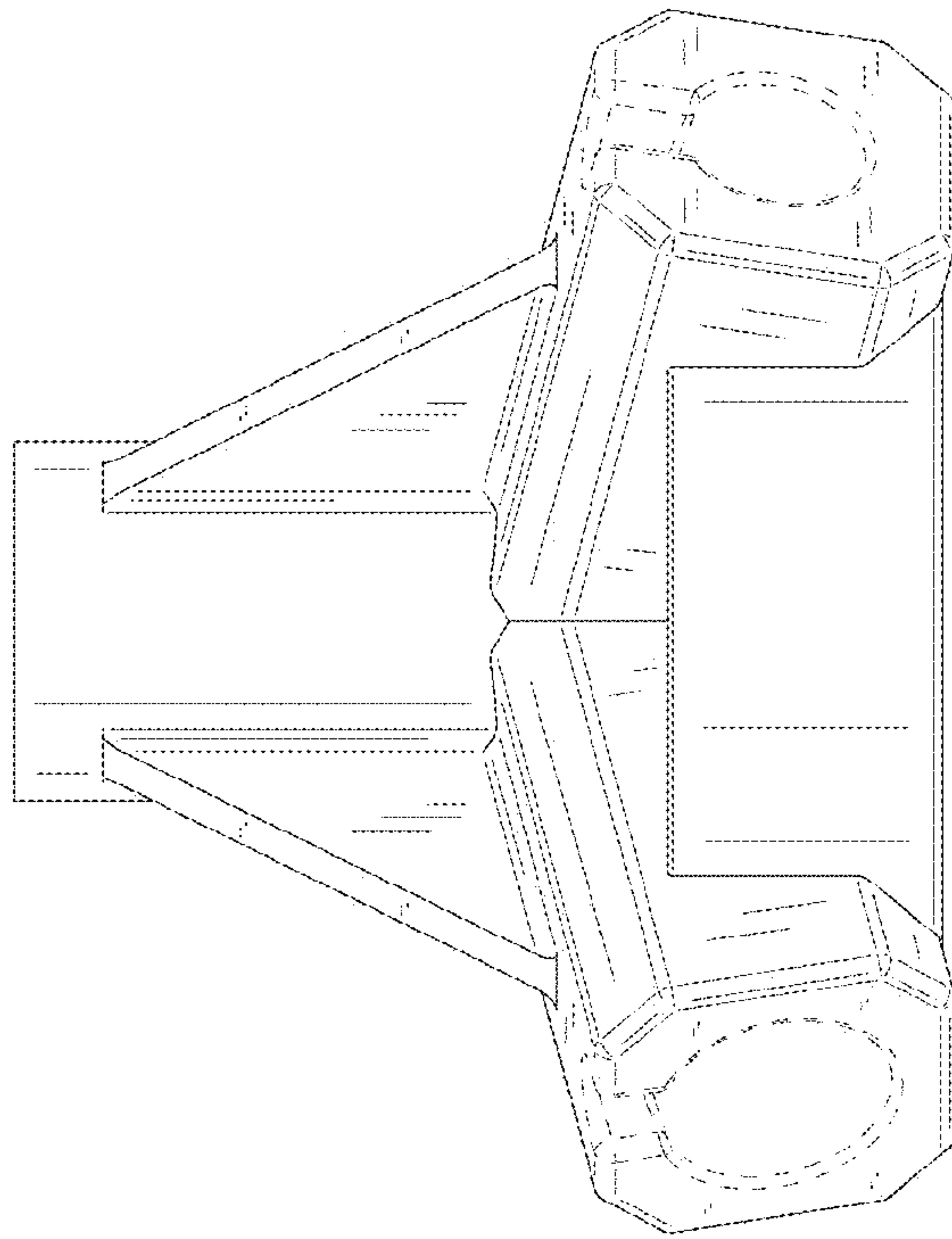


FIG. 4

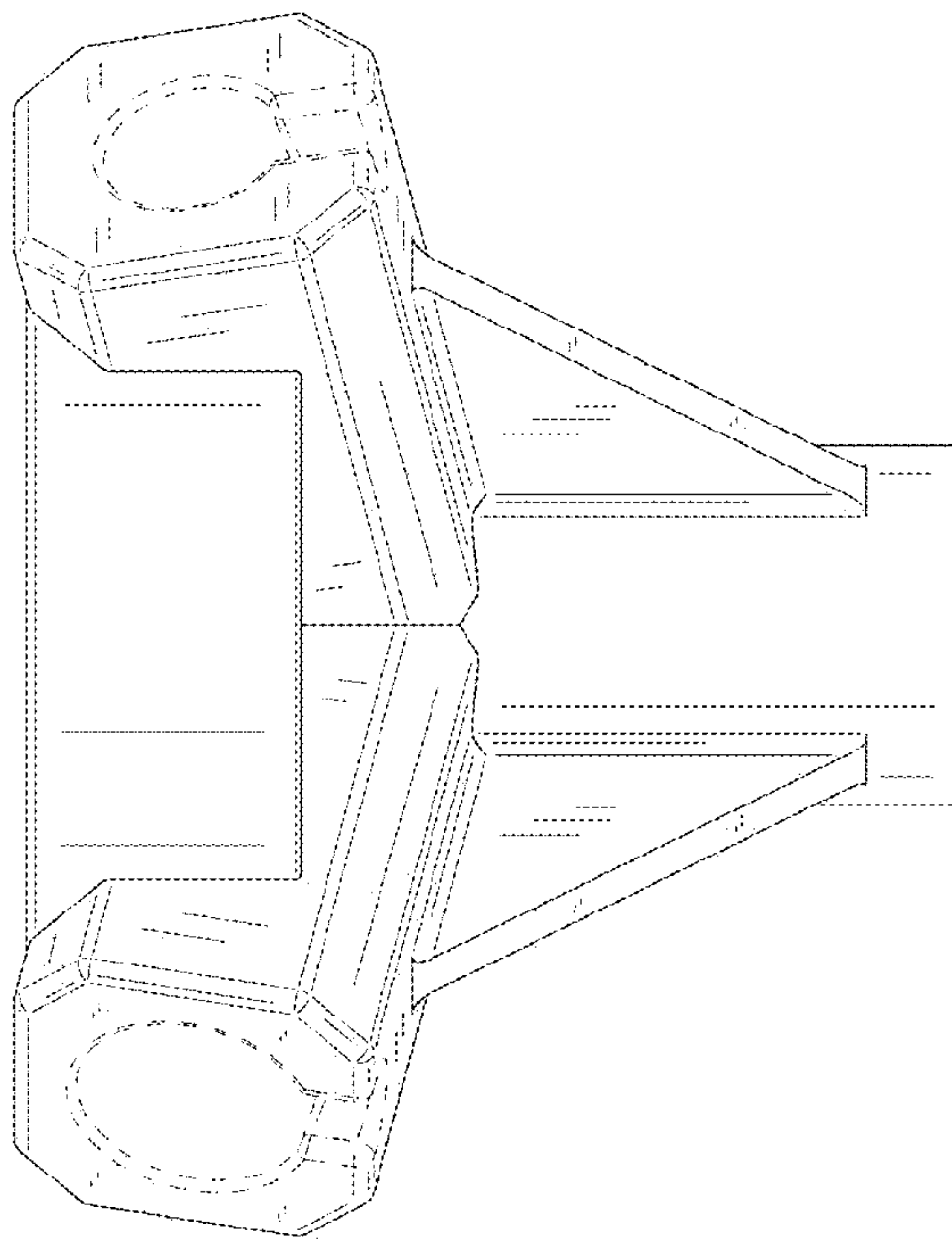


FIG. 5

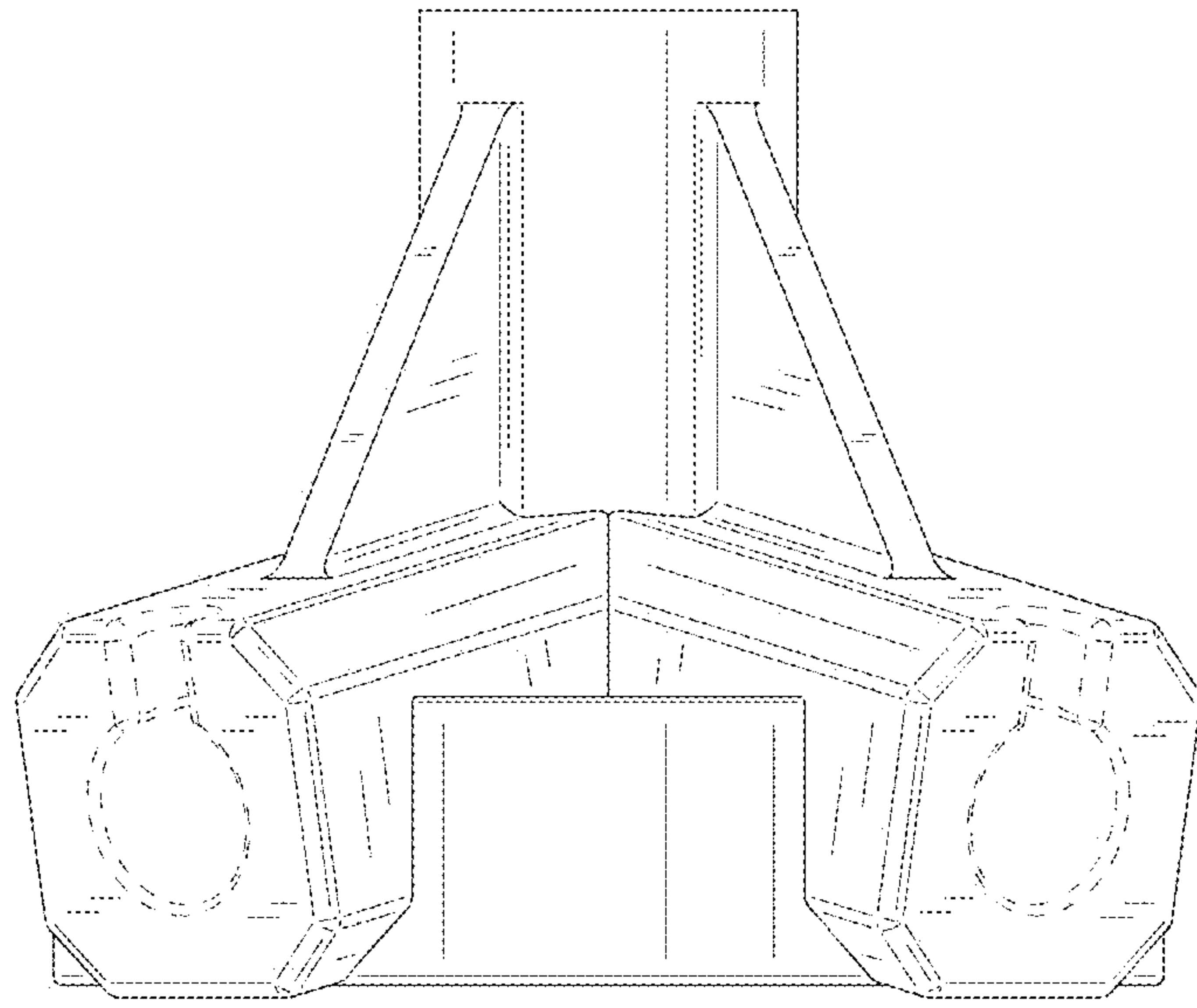


FIG. 6

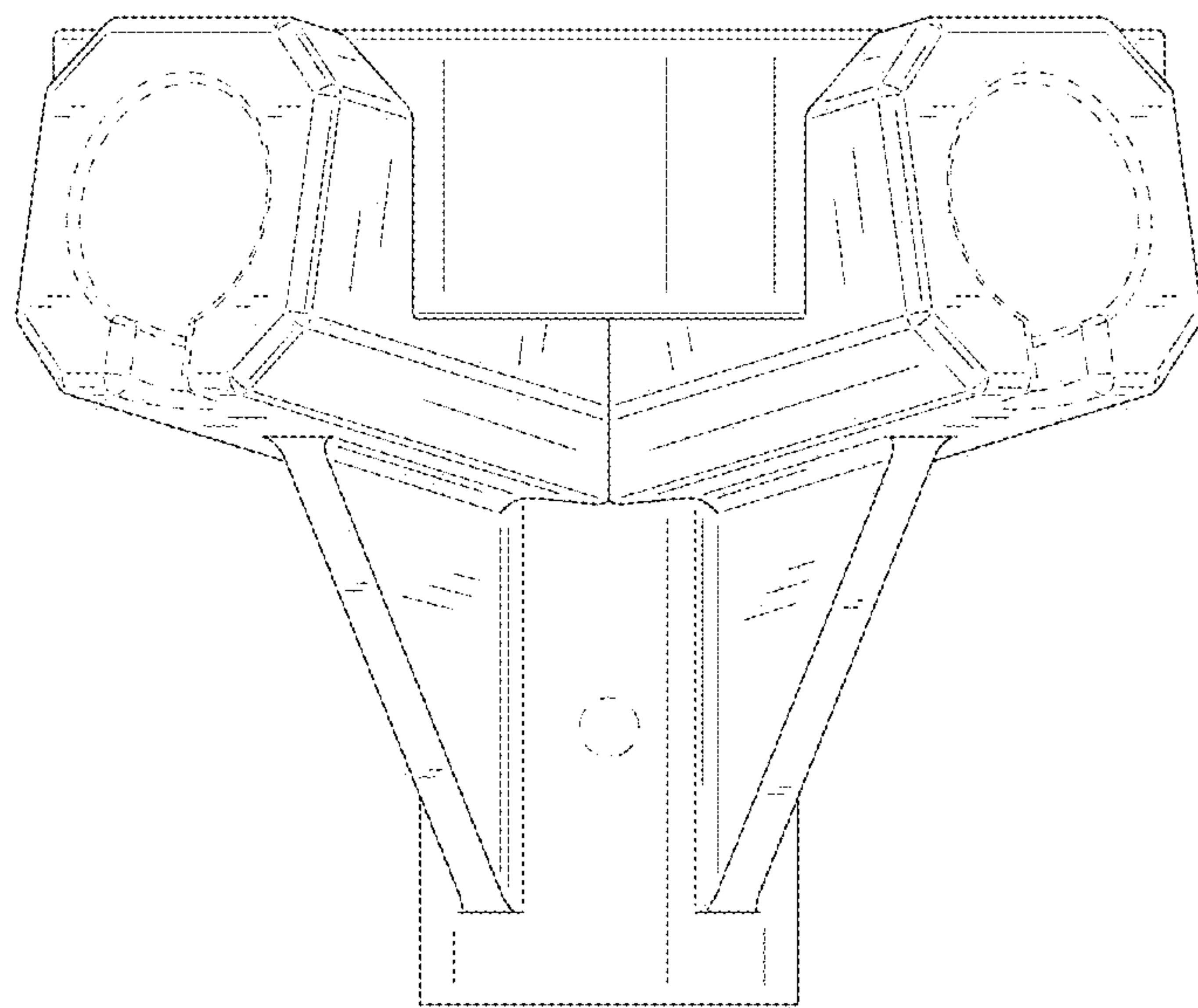


FIG. 7

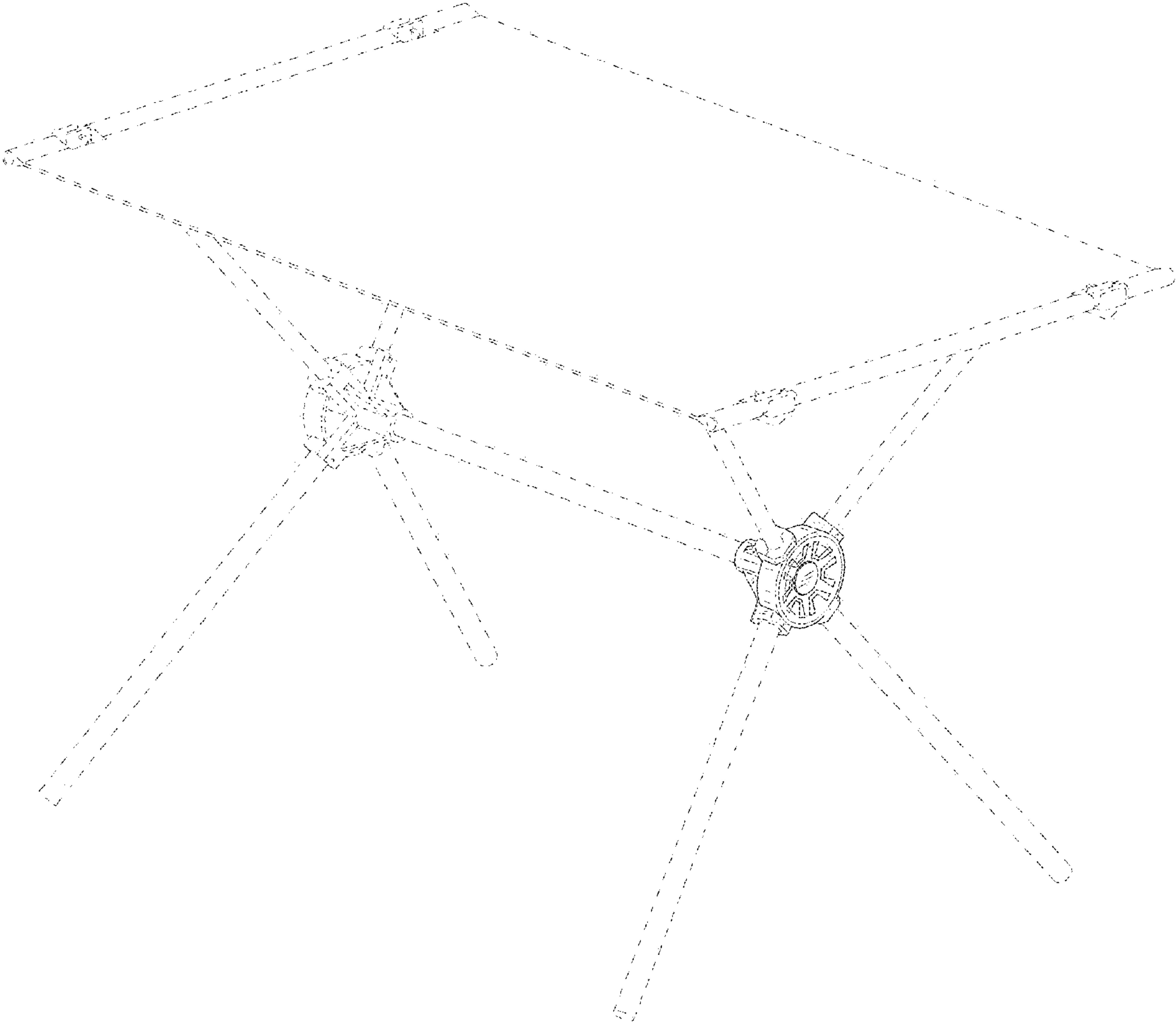


FIG. 8