



US0D1044342S

(12) **United States Design Patent**
O'Toole

(10) **Patent No.: US D1,044,342 S**

(45) **Date of Patent: ** Oct. 1, 2024**

(54) **BOOKSHELF SAFEROOM**

(71) Applicant: **Daniel O'Toole**, Corona, CA (US)

(72) Inventor: **Daniel O'Toole**, Corona, CA (US)

(**) Term: **15 Years**

(21) Appl. No.: **29/780,019**

(22) Filed: **Apr. 22, 2021**

(51) **LOC (14) Cl.** **06-04**

(52) **U.S. Cl.**
USPC **D6/657**; D6/663; D6/671

(58) **Field of Classification Search**
USPC D6/657, 663, 664, 671, 671.1, 671.2,
D6/671.3, 671.4
CPC A47B 17/04; A47B 45/00; A47B 47/03;
A47B 47/00; A47B 47/04; A47B 63/00;
A47B 67/00; A47B 67/04; A47B 57/00;
A47B 57/04; A47B 57/045; A47B 57/06;
E05G 1/024

See application file for complete search history.

(56) **References Cited**

U.S. PATENT DOCUMENTS

D372,607 S *	8/1996	Pallas	D6/671.1
D986,648 S *	5/2023	Li	D6/671.1
D986,651 S *	5/2023	Tong	D6/663
2022/0341206 A1 *	10/2022	O'Toole	E05G 1/024

OTHER PUBLICATIONS

Closet Safe, from pinterest.com, Retrieved Date: Dec. 6, 2023, p. 1, from <https://www.pinterest.com/pin/522628731731064562/> (Year: 2023).*

* cited by examiner

Primary Examiner — Mimoso De

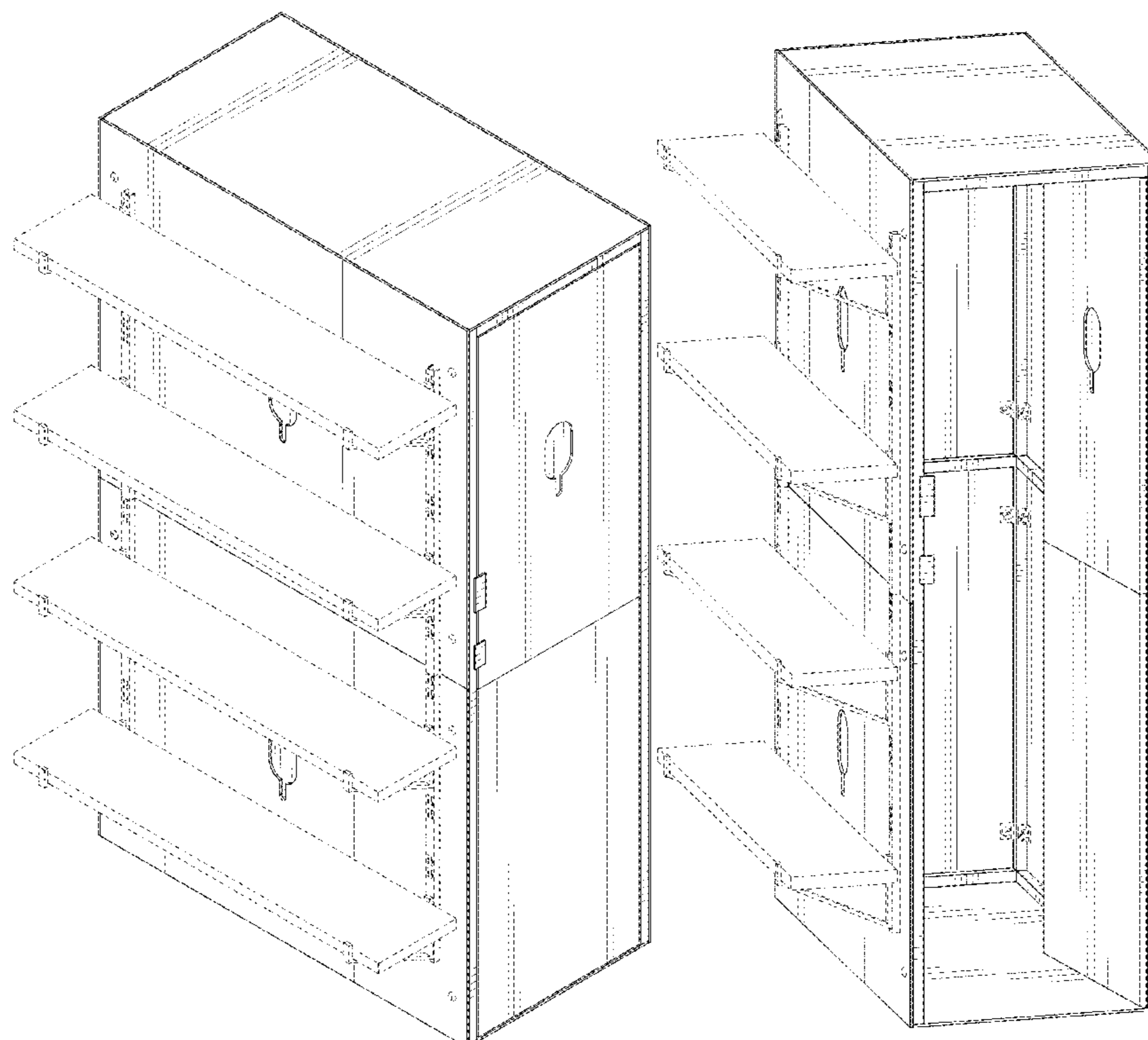
(57) **CLAIM**

The ornamental design for a bookshelf saferoom, as shown and described.

DESCRIPTION

FIG. 1 is a front-top-left perspective view of a bookshelf saferoom showing my new design; FIG. 2 is a left elevational view thereof; FIG. 3 is a right elevational view thereof; FIG. 4 is a front elevational view thereof; FIG. 5 is a rear elevational view thereof; FIG. 6 is a top plan view thereof; FIG. 7 is a bottom plan view thereof; FIG. 8 is a front-top-left perspective view showing the inner cavity thereof; FIG. 9 is a rear-top-left perspective view showing the inner cavity thereof; FIG. 10 is a front-top-left perspective view thereof in an exploded configuration; and, FIG. 11 is rear-top-right perspective view thereof in an exploded configuration. The broken lines shown in the drawing are for the purpose of illustrating portions of the bookshelf saferoom and form no part of the claimed design.

1 Claim, 11 Drawing Sheets



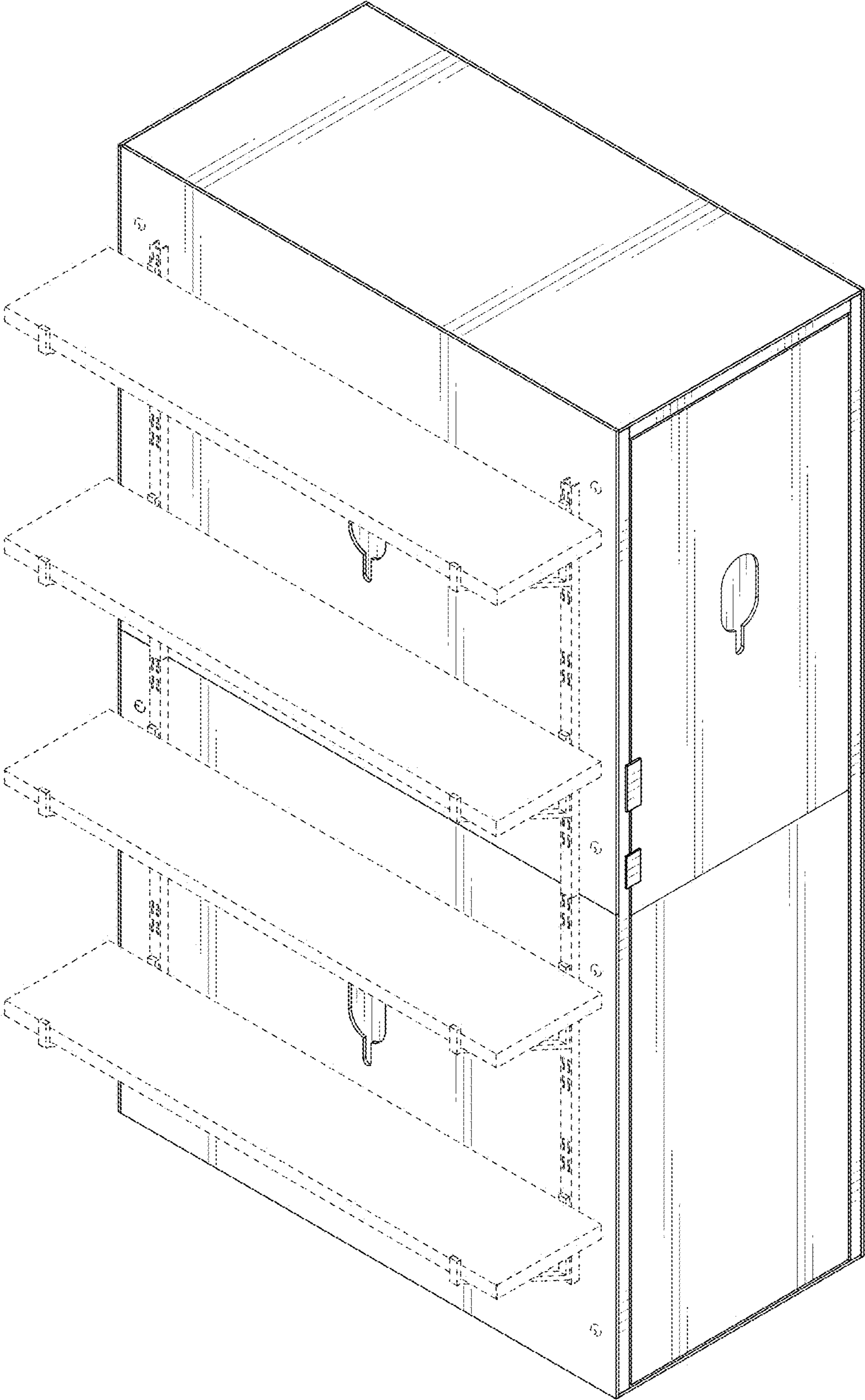


FIG. 1

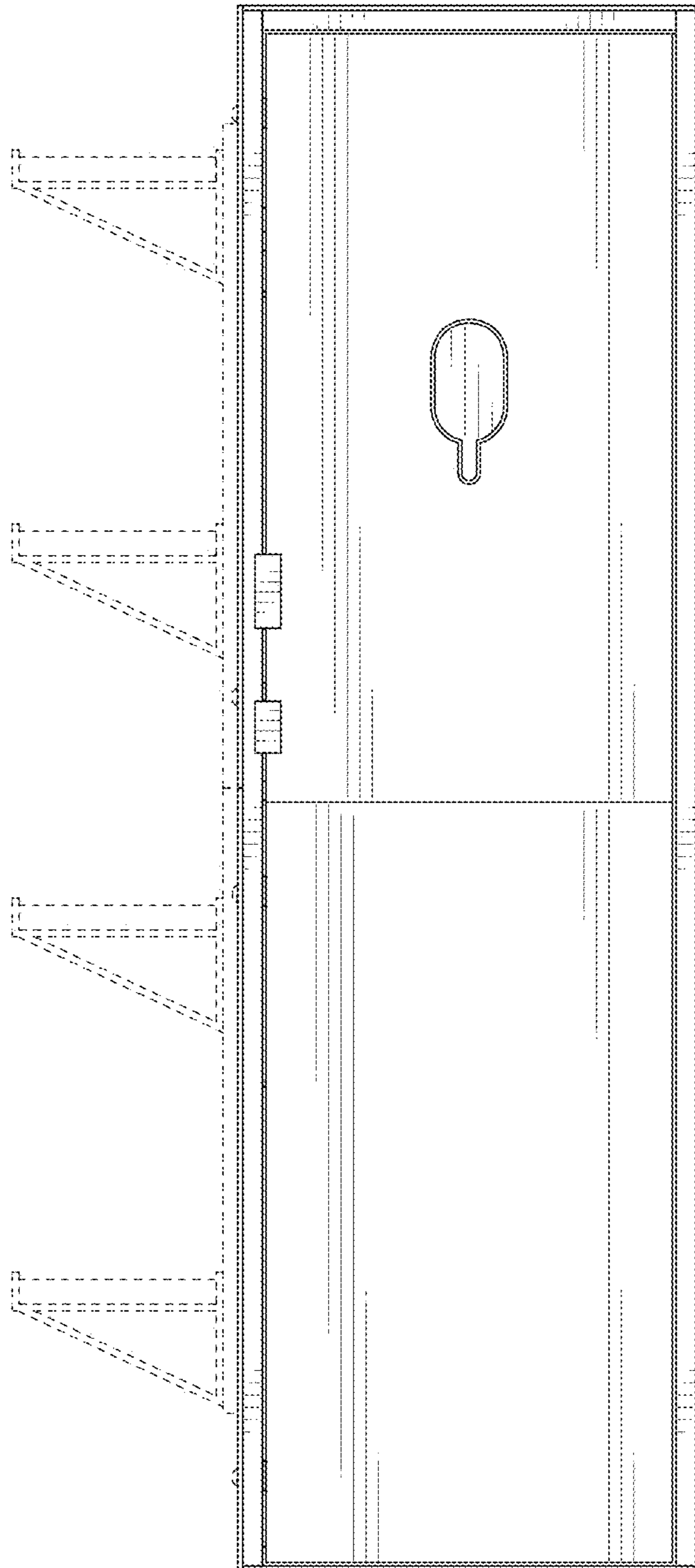


FIG. 2

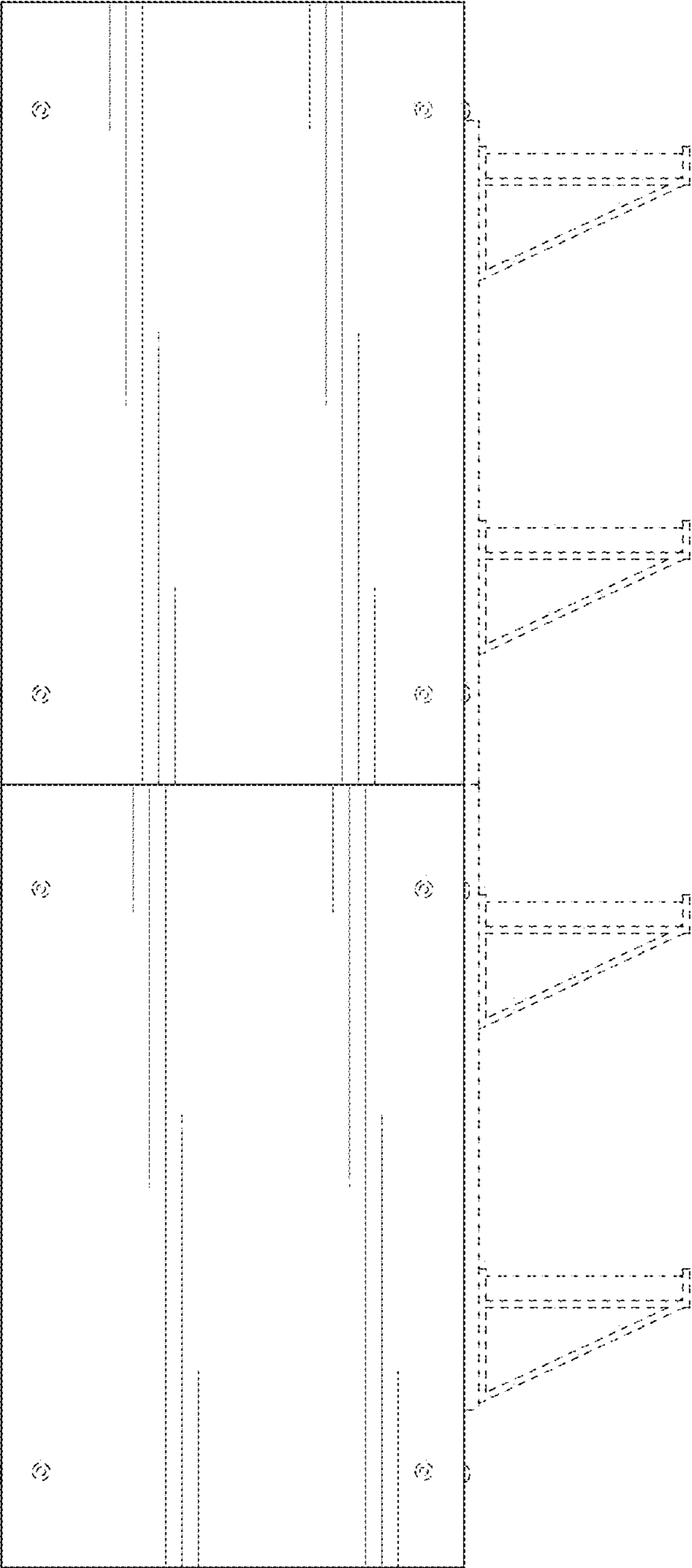


FIG. 3

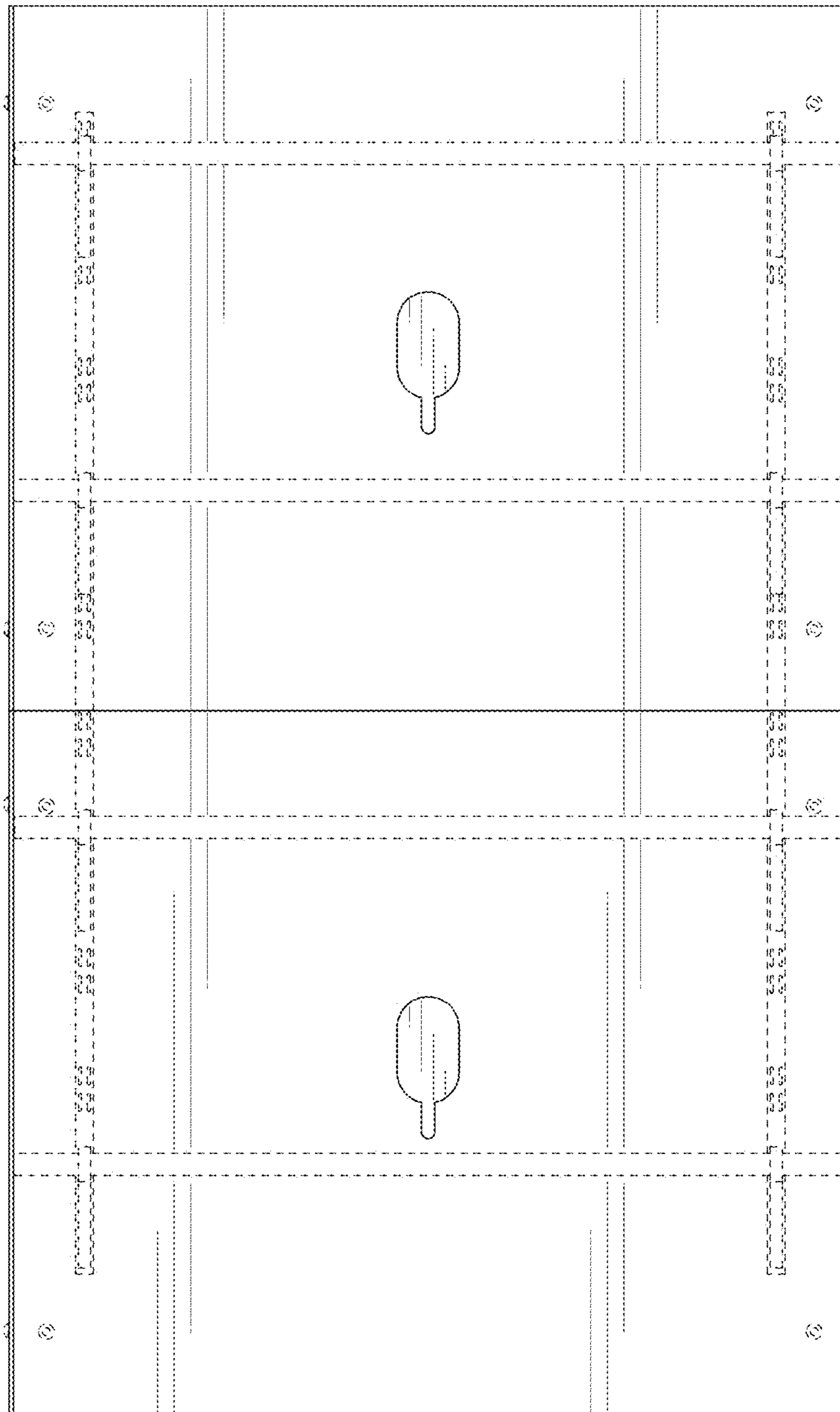


FIG. 4

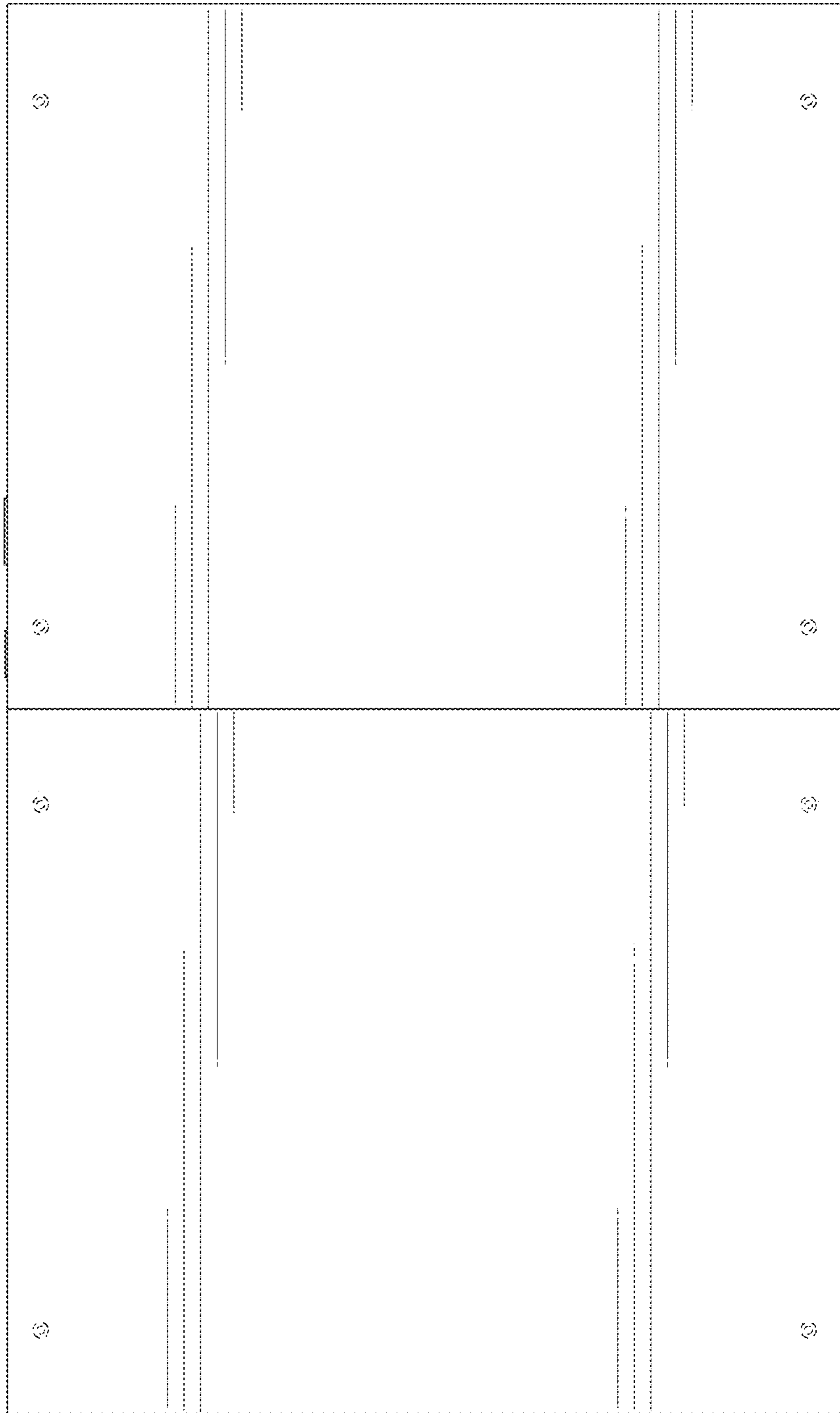


FIG. 5

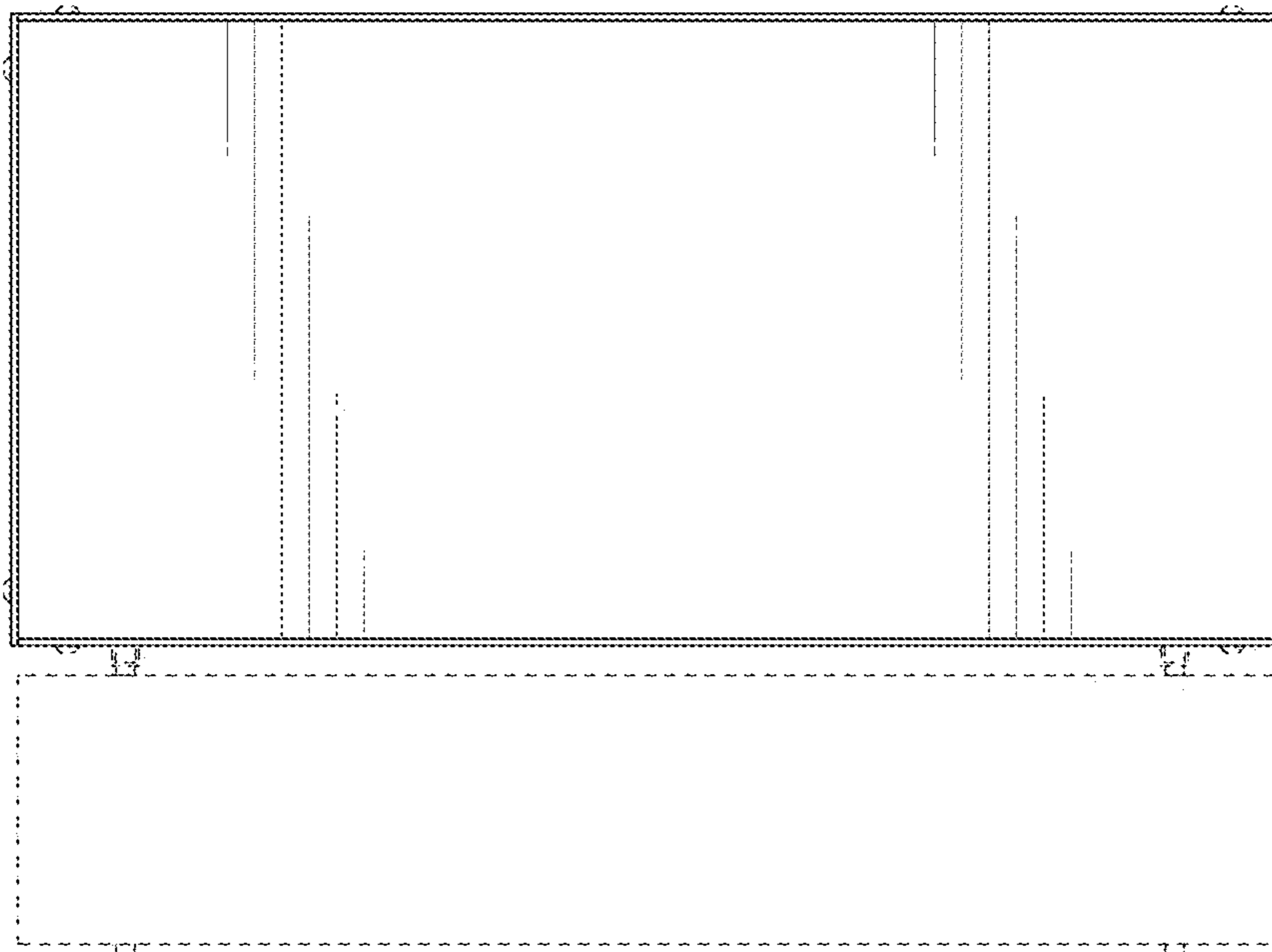


FIG. 6

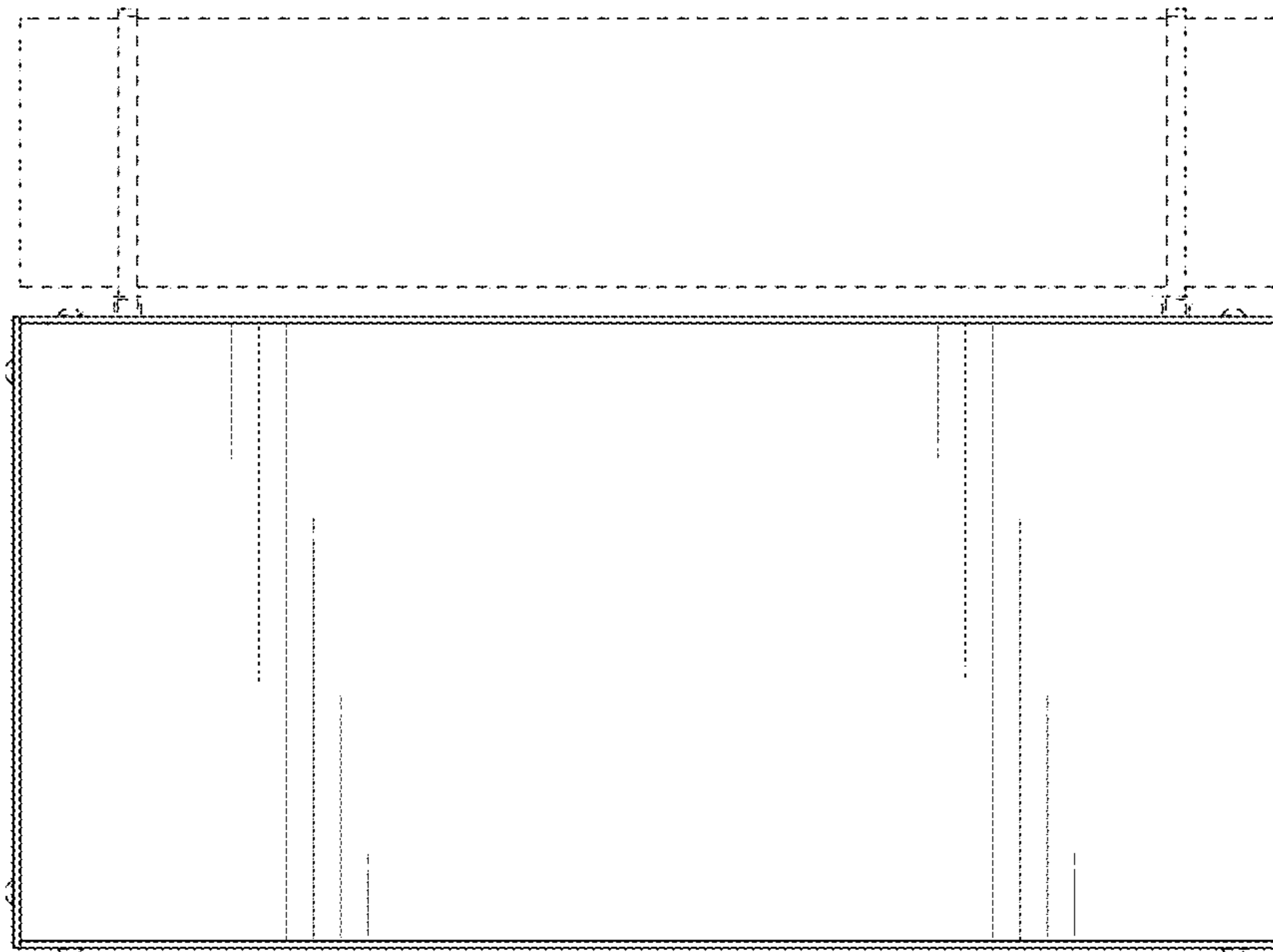


FIG. 7

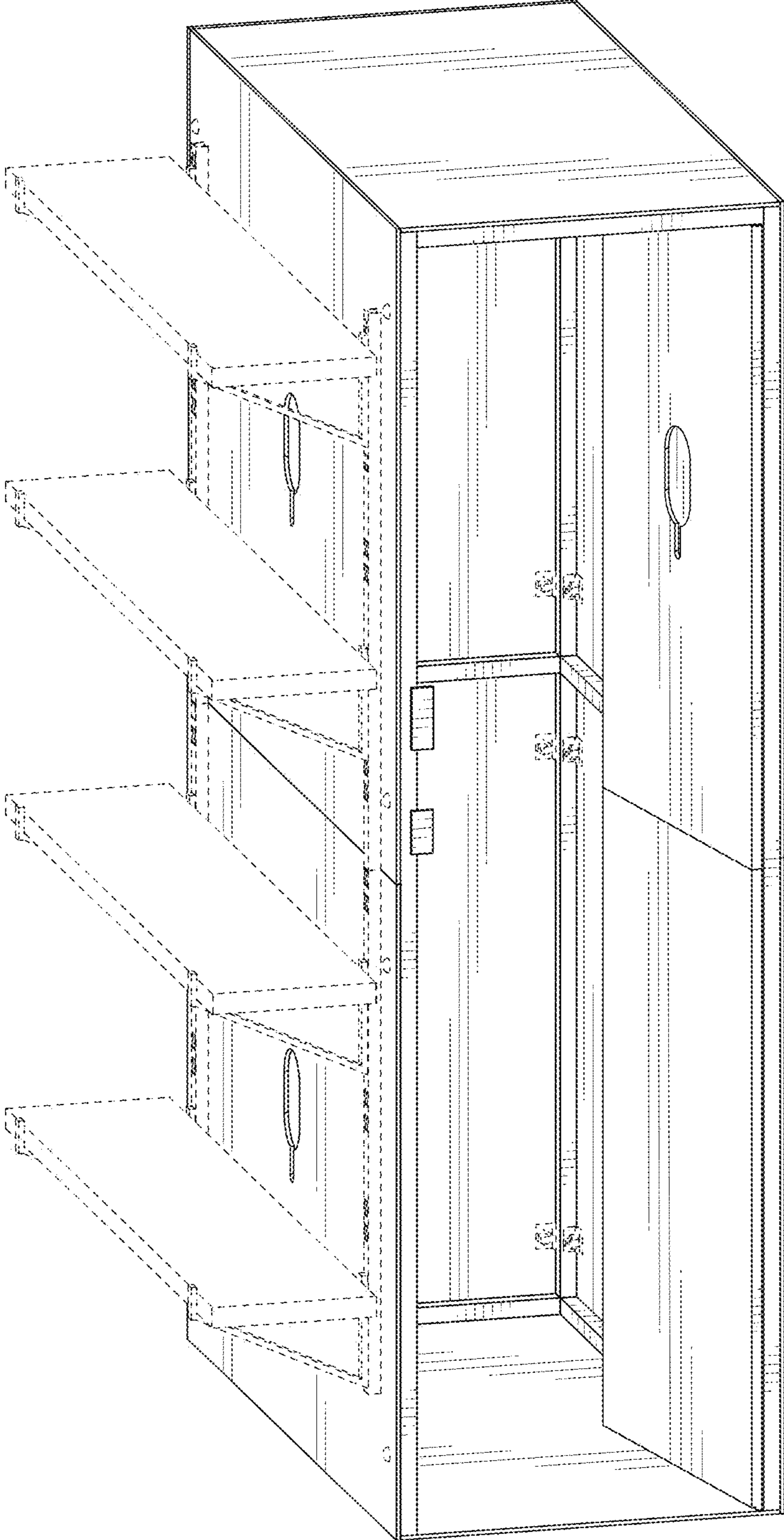


FIG. 8

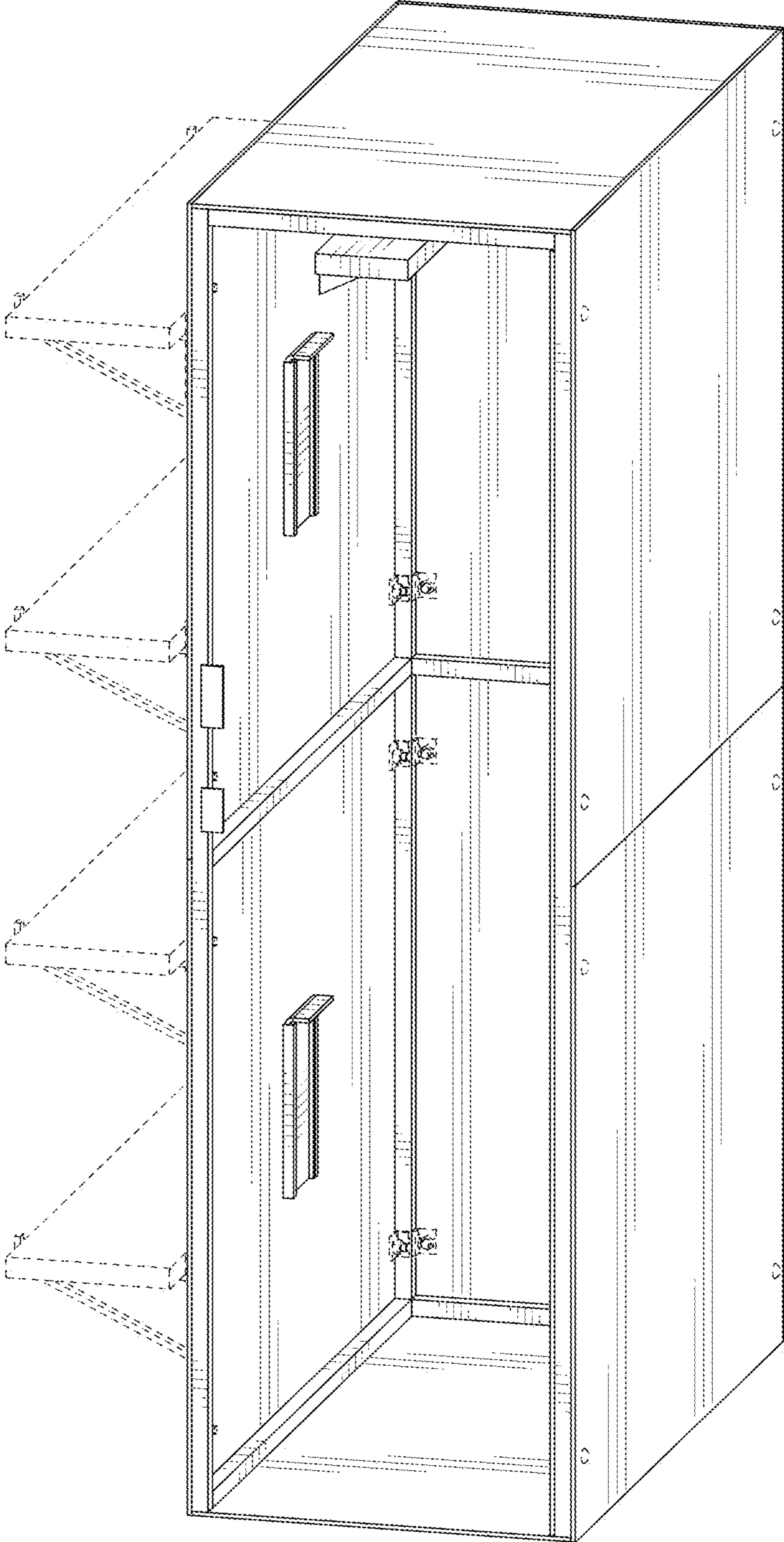


FIG. 9

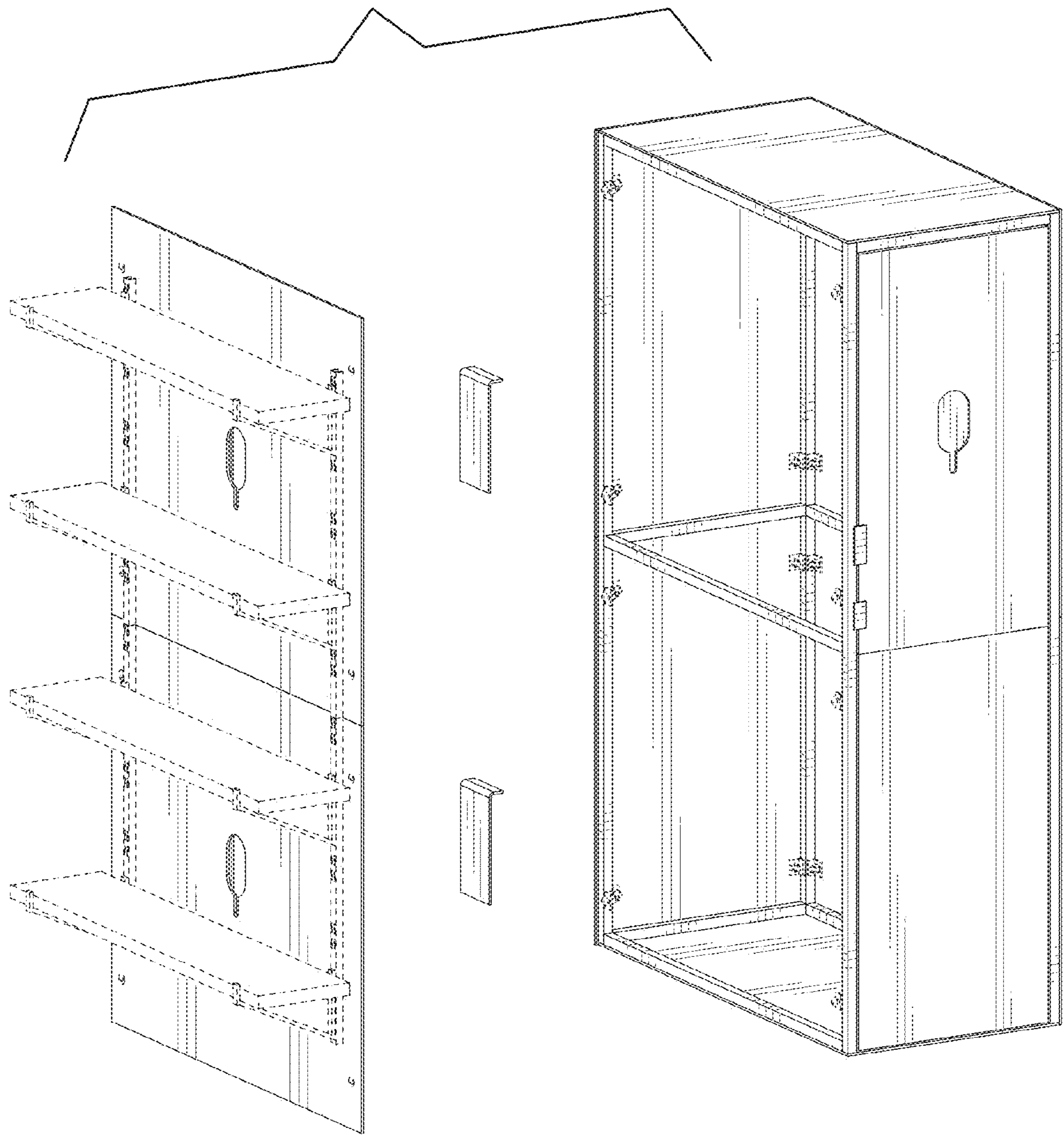


FIG. 10

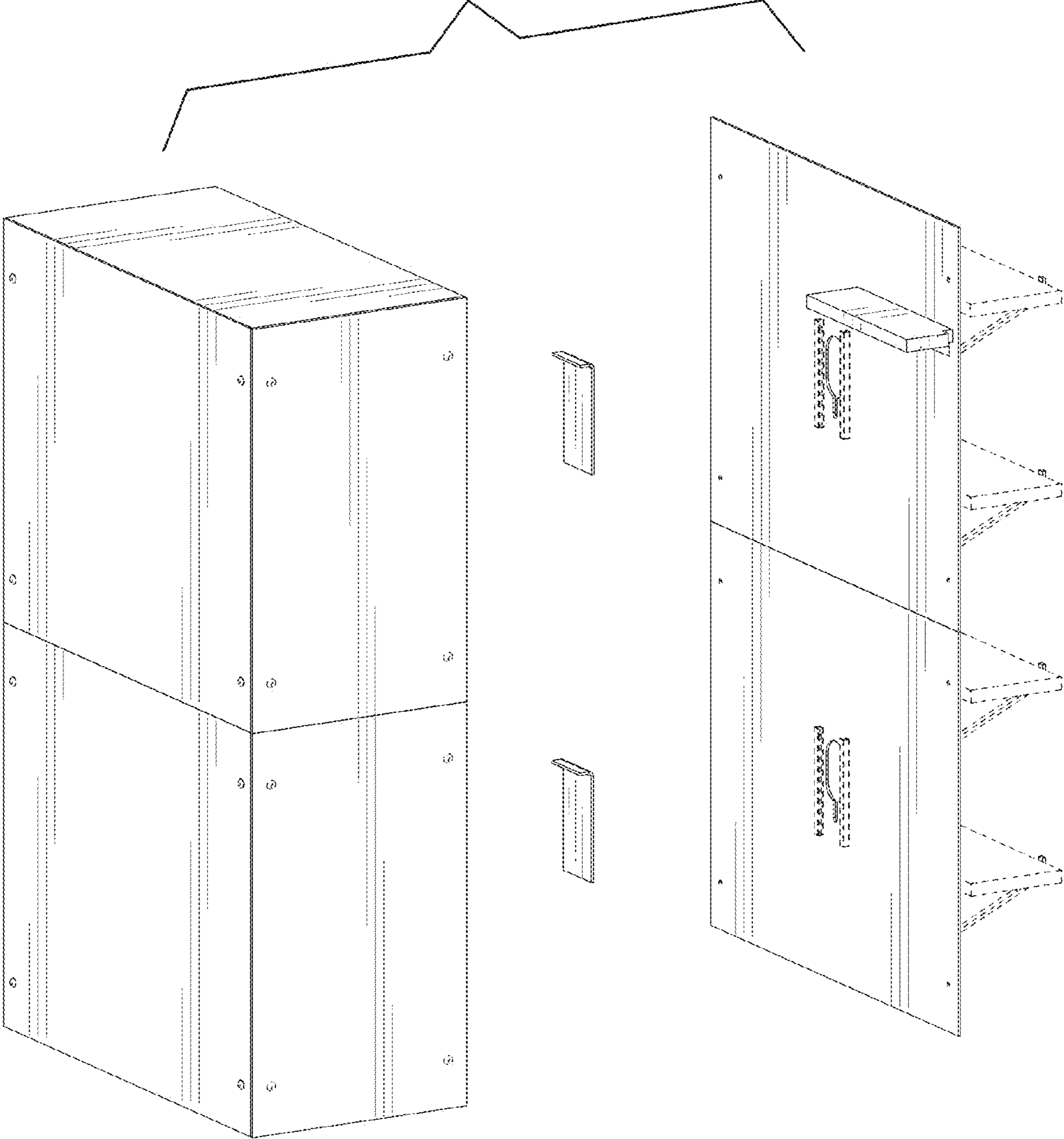


FIG. 11