



US0D1044208S

(12) **United States Design Patent** (10) **Patent No.:** **US D1,044,208 S**  
**Hullum-Pettis** (45) **Date of Patent:** **\*\* Oct. 1, 2024**

(54) **COWL-NECK MEDICAL SCRUBS SET**

FOREIGN PATENT DOCUMENTS

(71) Applicant: **Brittany Nicole Hullum-Pettis**,  
Wadsworth, IL (US)

KR 300836999.0000 \* 1/2016

(72) Inventor: **Brittany Nicole Hullum-Pettis**,  
Wadsworth, IL (US)

OTHER PUBLICATIONS

(\*\*) Term: **15 Years**

[Cherokee Women Scrubs Top Workwear Revolution Round Neck],  
posted May 24, 2019 [online], [retrieved Mar. 26, 2024]. Retrieved  
from internet, <https://www.amazon.com/dp/B07S9F5GFV> (Year:  
2019).\*

(21) Appl. No.: **29/868,883**

[Smidow Women's Summer Trendy Short Sleeve Top], posted Apr.  
28, 2023 [online], [retrieved Mar. 26, 2024]. Retrieved from inter-  
net, <https://www.amazon.com/dp/B0C3VS189P> (Year: 2023).\*

(22) Filed: **Dec. 15, 2022**

[Infinity Store Women Scrubs Top Mock Neck], posted Mar. 31,  
2023 [online], [retrieved Mar. 26, 2024]. Retrieved from internet,  
<https://www.amazon.com/dp/B0C158LRNS> (Year: 2023).\*

(51) **LOC (14) Cl.** ..... **02-02**

(52) **U.S. Cl.**  
USPC ..... **D2/739**

(58) **Field of Classification Search**  
USPC ..... D2/728, 739, 742  
CPC ..... A41D 1/06; A41D 13/12; A41D 13/1209;  
A41D 13/1254  
See application file for complete search history.

\* cited by examiner

*Primary Examiner* — T Chase Nelson

*Assistant Examiner* — Darcy Fabre

(74) *Attorney, Agent, or Firm* — Dunlap Bennett &  
Ludwig, PLLC; Anna L. Kinney

(56) **References Cited**

(57) **CLAIM**

U.S. PATENT DOCUMENTS

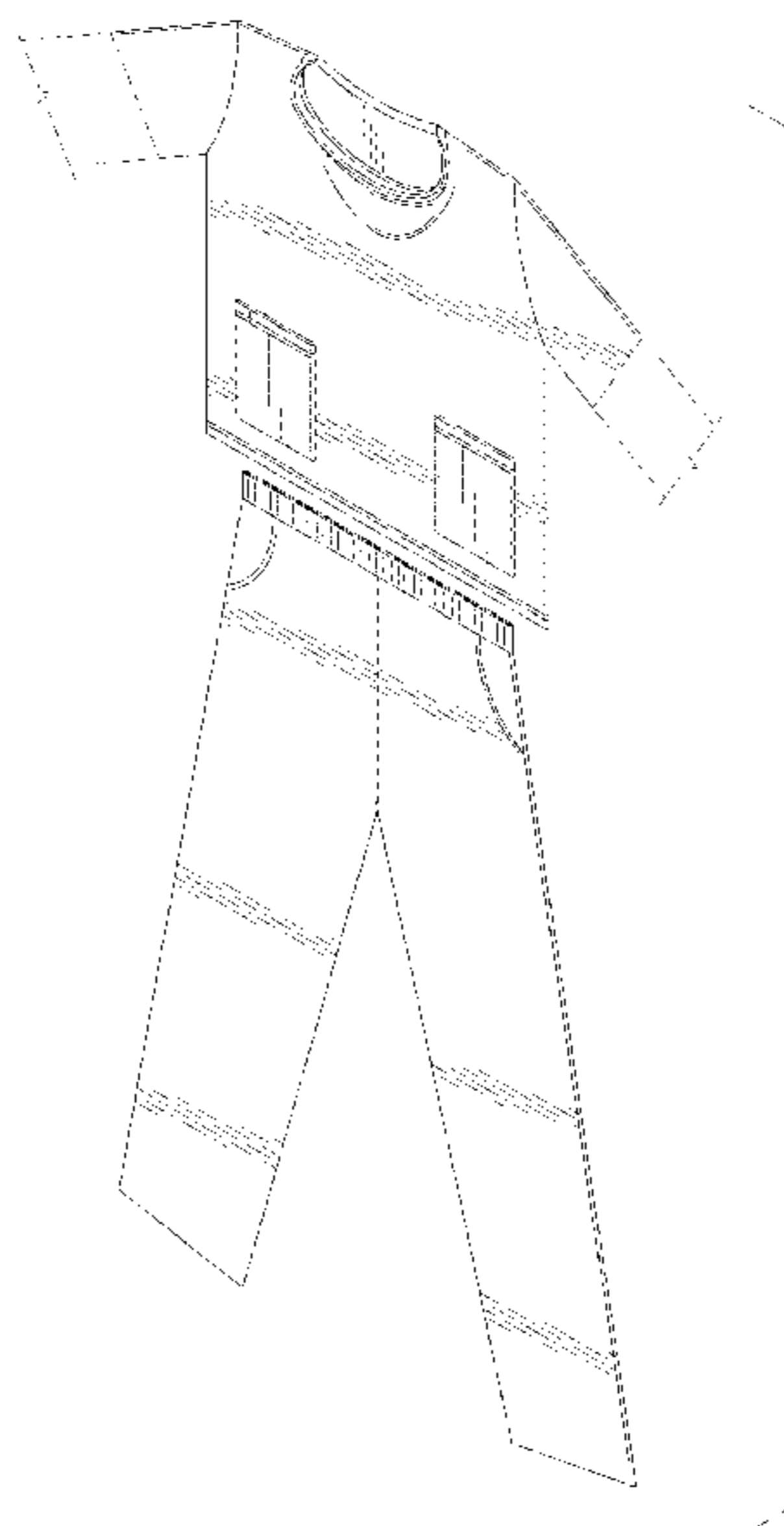
The ornamental design for a cowl-neck medical scrubs set,  
as shown and described.

D244,321 S	5/1977	Phillips	
D390,337 S	2/1998	Mixon	
D476,137 S	6/2003	McFarlane	
D627,137 S	11/2010	Keavey et al.	
D646,467 S	* 10/2011	Campbell	D2/840
D661,052 S	6/2012	Pflug	
D662,688 S	7/2012	Kidman	
D696,839 S	1/2014	Harris	
D729,497 S	* 5/2015	Orehek	D2/739
D733,999 S	* 7/2015	Parker	D2/717
D739,120 S	9/2015	Young	
D750,345 S	* 3/2016	Earley	D2/743
D765,345 S	* 9/2016	Weiss	D2/739
D865,327 S	* 11/2019	Wang	D2/739
D888,370 S	* 6/2020	Young	D2/739
D895,232 S	9/2020	Orehek et al.	
2010/0071109 A1	3/2010	Gibson	
2013/0205467 A1	8/2013	Walrich et al.	

**DESCRIPTION**

FIG. 1 is a top front perspective view of a cowl-neck medical  
scrubs set, showing my new design;  
FIG. 2 is a front elevation view thereof;  
FIG. 3 is a rear elevation view thereof;  
FIG. 4 is a right elevation view thereof, with the left  
elevation view being a mirror image thereof;  
FIG. 5 is a top plan view thereof; and,  
FIG. 6 is a bottom plan view thereof.  
The broken lines shown in the drawings depict portions of  
the cowl-neck medical scrubs set that form no part of the  
claimed design.

**1 Claim, 4 Drawing Sheets**



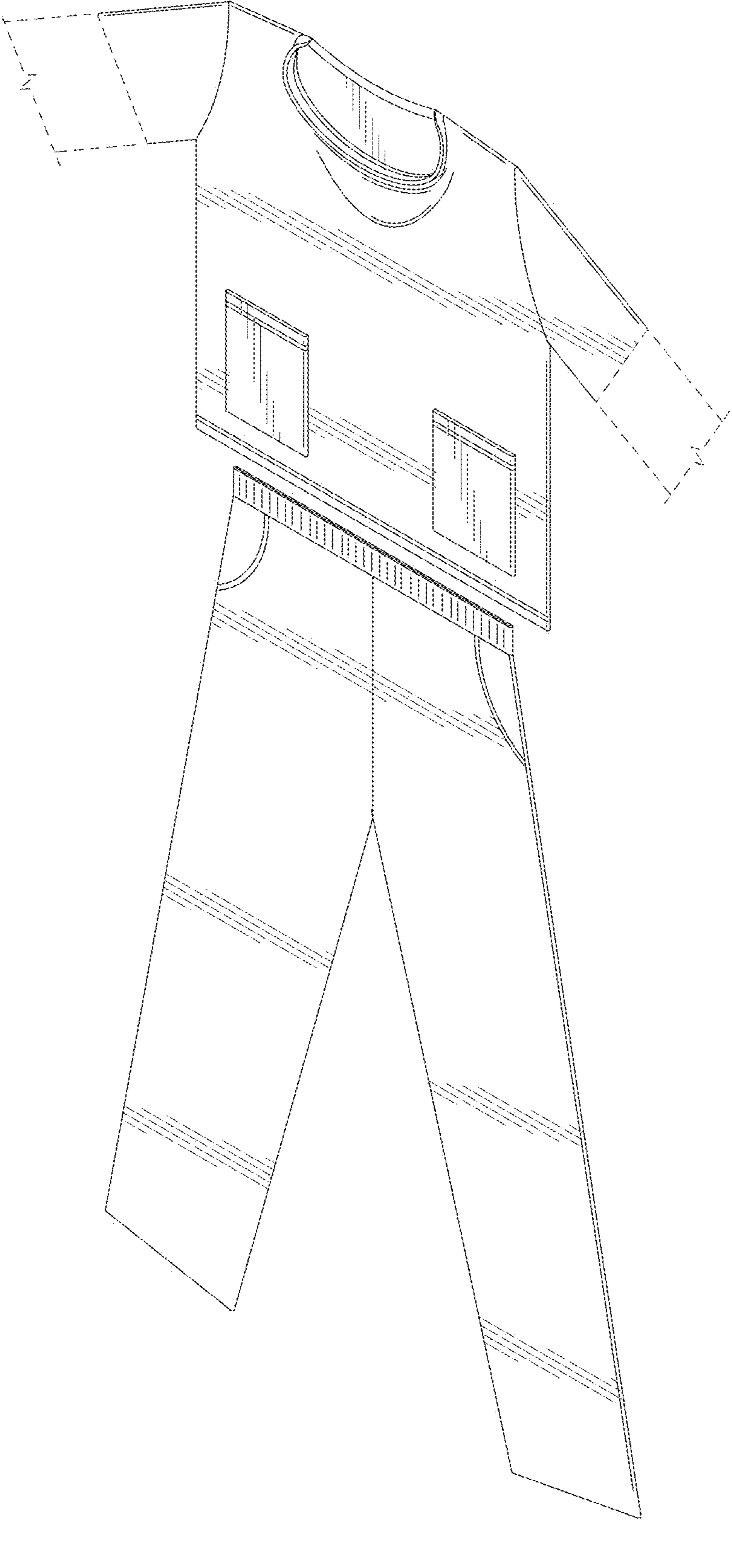


FIG.1

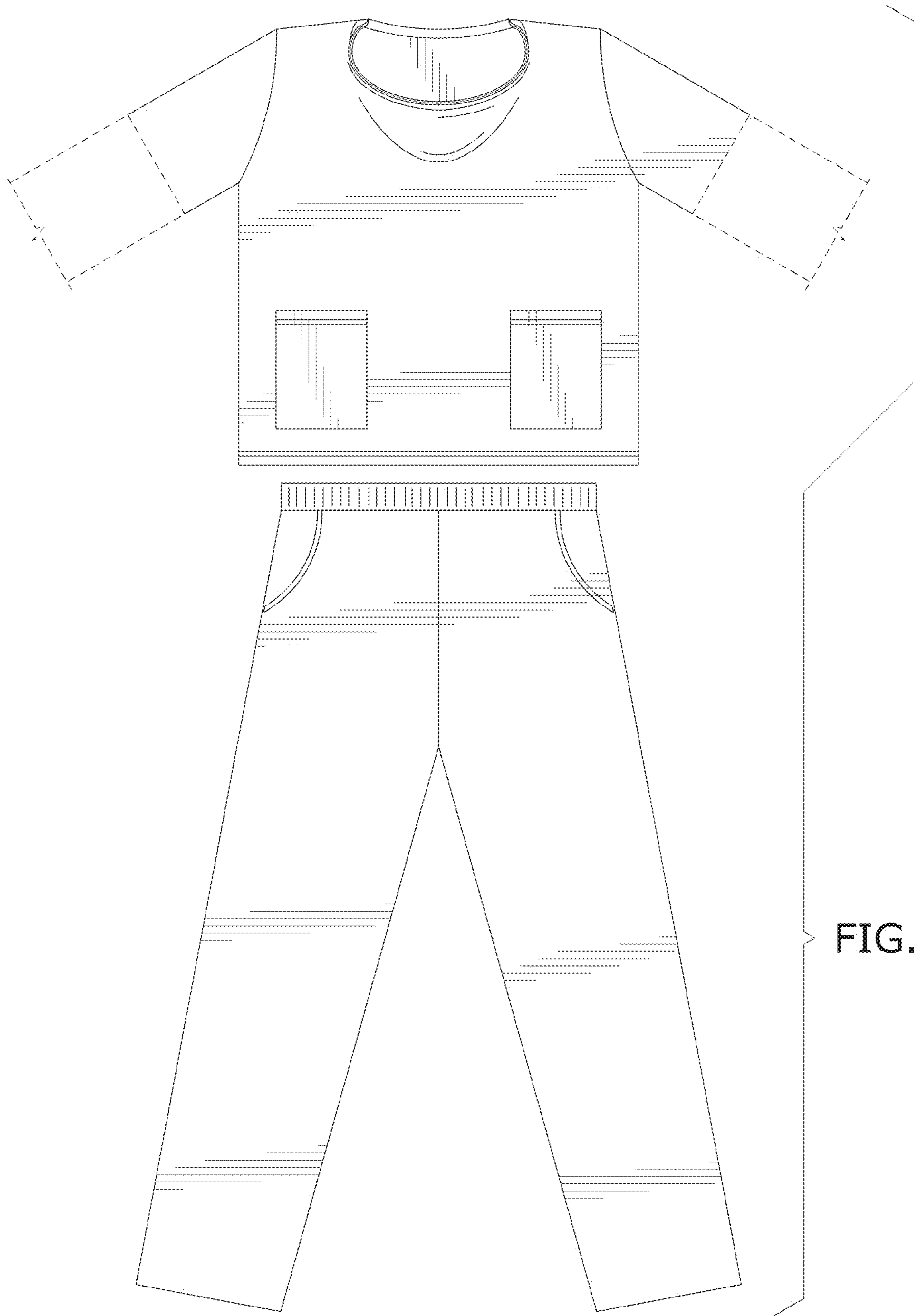
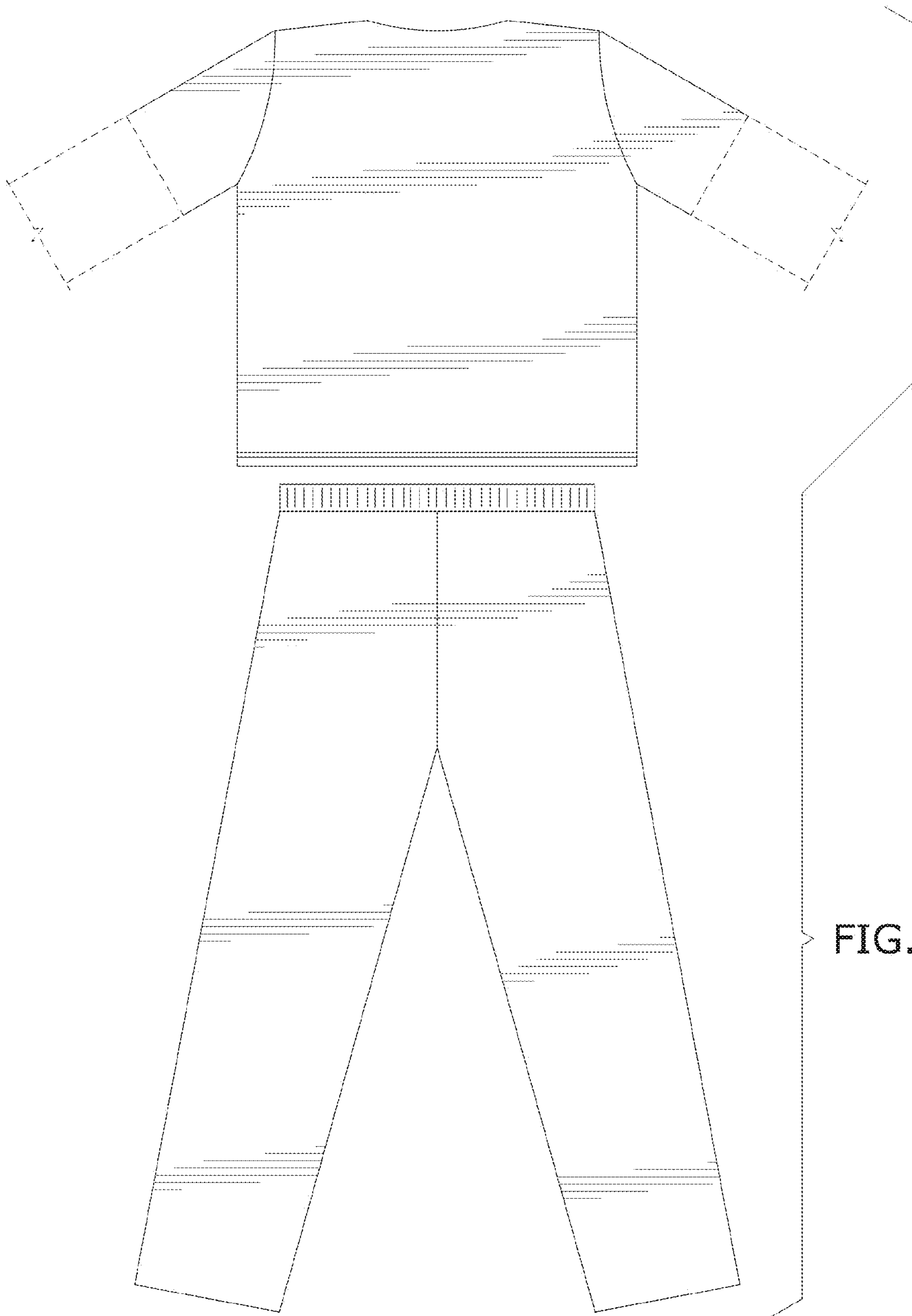


FIG. 2



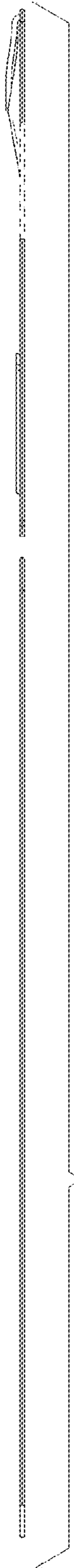


FIG. 4

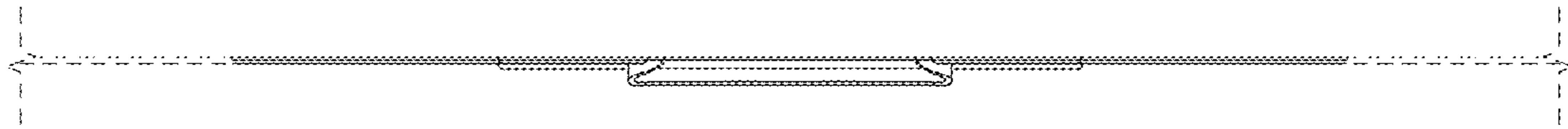


FIG. 5

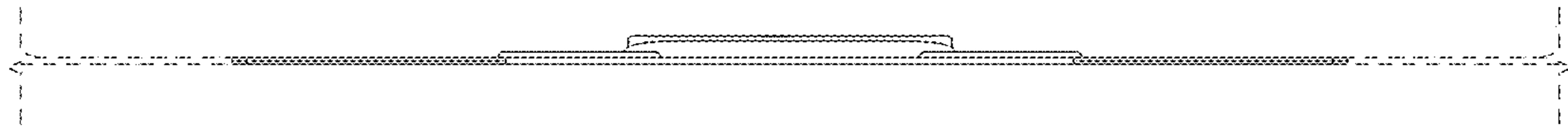


FIG. 6