



US0D1044161S

(12) **United States Design Patent** (10) **Patent No.: US D1,044,161 S**
Miranda et al. (45) **Date of Patent: ** Sep. 24, 2024**

- (54) **PET PUZZLE**
- (71) Applicant: **DOSKOCIL MANUFACTURING COMPANY, INC.**, Arlington, TX (US)
- (72) Inventors: **Claudia Miranda**, Medfield, MA (US); **Caitlin Goetzel**, Los Angeles, CA (US); **Ryan Rutherford**, Pittsfield, NJ (US)
- (73) Assignee: **DOSKOCIL MANUFACTURING COMPANY, INC.**, Arlington, TX (US)
- (*) Notice: Patent file contains an affidavit/declaration under 37 CFR 1.130(b).
- (**) Term: **15 Years**
- (21) Appl. No.: **29/771,517**
- (22) Filed: **Feb. 23, 2021**
- (51) **LOC (14) Cl.** **30-99**
- (52) **U.S. Cl.**
USPC **D30/160**
- (58) **Field of Classification Search**
USPC D30/160, 112, 119; D21/386, 398, 484, D21/707, 712, 713; D24/193, 194, 195, D24/211, 212, 214; D1/125, 126, 127
CPC A01K 15/025; A01K 15/026
See application file for complete search history.

- D515,771 S * 2/2006 Evitts D1/120
 - D581,626 S * 12/2008 Chatel D1/120
 - D593,727 S * 6/2009 Willoughby D1/120
 - D676,619 S * 2/2013 Hansen D30/121
- (Continued)

OTHER PUBLICATIONS

OurPets Waffle & Sushi Interactive Dog Toys posted at amazon.com, earliest date available Nov. 6, 2020, [online], acquired on Apr. 8, 2022, Available on internet. url:https://www.amazon.com/Our-Pets-Interactive-Toy-Great-Alternative/dp/B08MWTX9L?th=1 (Year: 2020).*

Primary Examiner — Shannon W Morgan
Assistant Examiner — Aula Soroush
(74) *Attorney, Agent, or Firm* — GLOBAL IP COUNSELORS, LLP

(57) **CLAIM**

The ornamental design for a pet puzzle, as shown and described.

DESCRIPTION

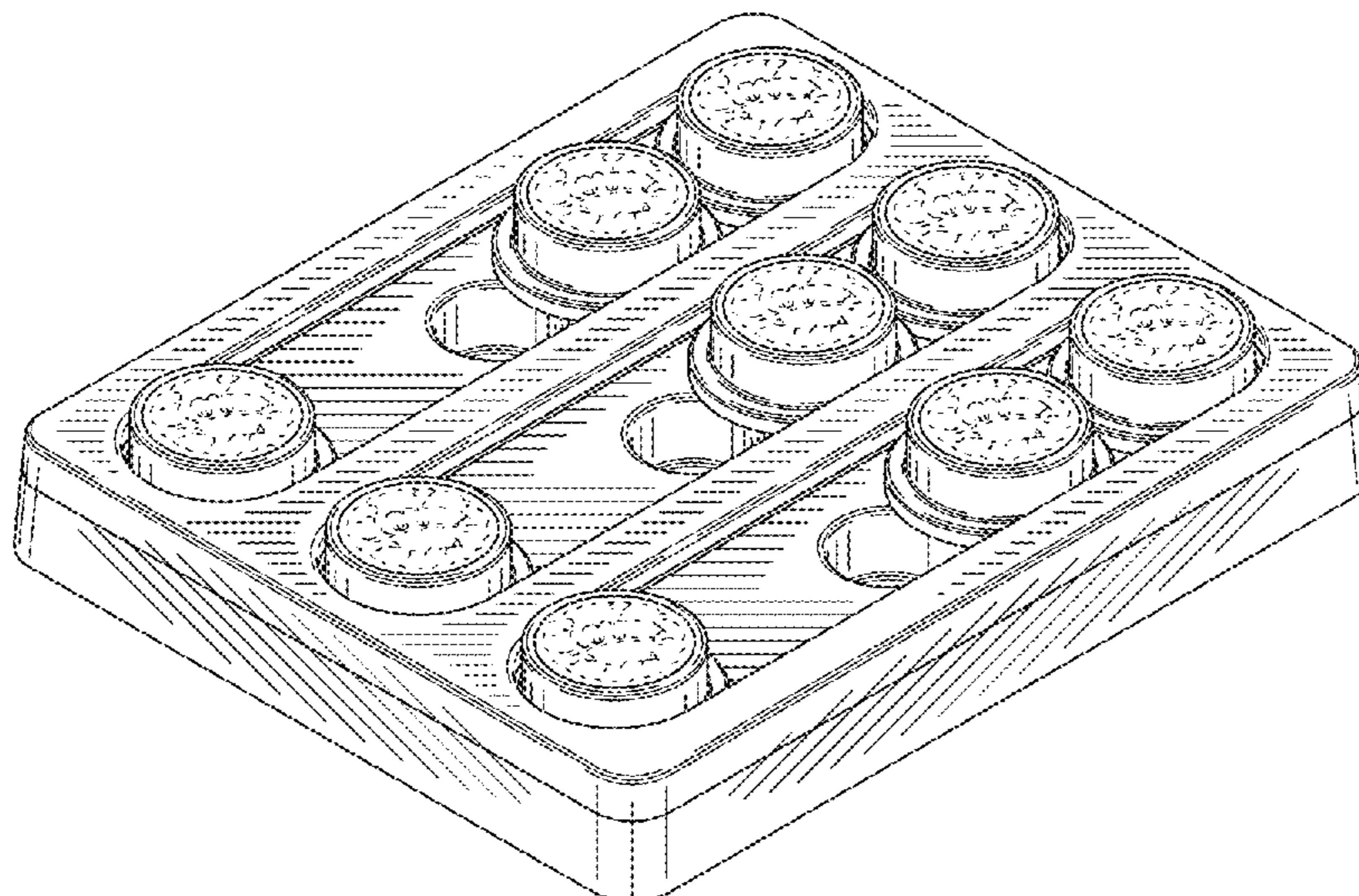
FIG. 1 is a perspective view of a pet puzzle showing our new design in use;
FIG. 2 is a top plan view thereof;
FIG. 3 is a top plan view thereof shown with slidable cups shown in an alternate location;
FIG. 4 is a top plan view thereof shown with slidable cups shown in a second alternate location;
FIG. 5 is a bottom plan view thereof shown with the slidable cups in a second alternate location;
FIG. 6 is a front elevational view thereof;
FIG. 7 is a rear elevational view thereof;
FIG. 8 is a left side elevational view thereof with slidable cups in the location shown in FIG. 2; and,
FIG. 9 is a right side elevational view thereof.
The broken lines in the drawings illustrate portions of the pet puzzle that form no part of the claimed design.

1 Claim, 9 Drawing Sheets

(56) **References Cited**

U.S. PATENT DOCUMENTS

- 5,544,623 A * 8/1996 Udelle A01K 15/025
119/706
- 5,673,652 A * 10/1997 Witte A01K 15/025
119/707
- 5,809,938 A * 9/1998 Baiera A01K 15/025
119/707
- 5,870,971 A * 2/1999 Krietzman A01K 15/025
119/707
- 6,032,615 A * 3/2000 Girard A01K 15/025
119/707
- D501,231 S * 1/2005 Rom D21/478



(56)

References Cited

U.S. PATENT DOCUMENTS

D702,016 S * 4/2014 Shanklin D1/128
D706,000 S * 5/2014 Martinez D30/121
D706,001 S * 5/2014 Hansen D30/121
D706,495 S * 6/2014 Hansen D30/121
D747,066 S * 1/2016 Roetheli D1/106
D755,446 S * 5/2016 Hansen D30/121
D772,525 S * 11/2016 Enoch D1/127
D778,026 S * 2/2017 Roetheli D1/199
9,756,835 B1 * 9/2017 Ottosson A01K 15/026
D857,332 S * 8/2019 Howard D1/122
D884,309 S * 5/2020 Howard D1/122
D890,455 S * 7/2020 Wolfe, Jr. D30/160
D898,206 S * 10/2020 Bredemeier D24/195
10,888,065 B2 * 1/2021 Yang A01K 15/025
D975,196 S * 1/2023 Wu D21/468
D992,222 S * 7/2023 Ye D30/160
D995,947 S * 8/2023 Ye D21/334
D1,002,123 S * 10/2023 Wu D30/160
D1,002,124 S * 10/2023 Wu D30/160
D1,002,125 S * 10/2023 Wu D30/160
D1,003,546 S * 10/2023 Wu D30/160
D1,004,861 S * 11/2023 Zhong D30/160
D1,007,078 S * 12/2023 Wu D30/160
D1,007,781 S * 12/2023 Wu D30/160
2004/0194638 A1 * 10/2004 Davis A21C 9/06
99/372
2008/0289580 A1 * 11/2008 Krishnamurthy A01K 5/0291
119/51.11
2010/0275855 A1 * 11/2010 Ottosson A63F 3/00
119/707
2012/0152180 A1 * 6/2012 McCann A01K 15/025
119/707
2014/0216358 A1 * 8/2014 Hansen A01K 15/025
119/707

* cited by examiner

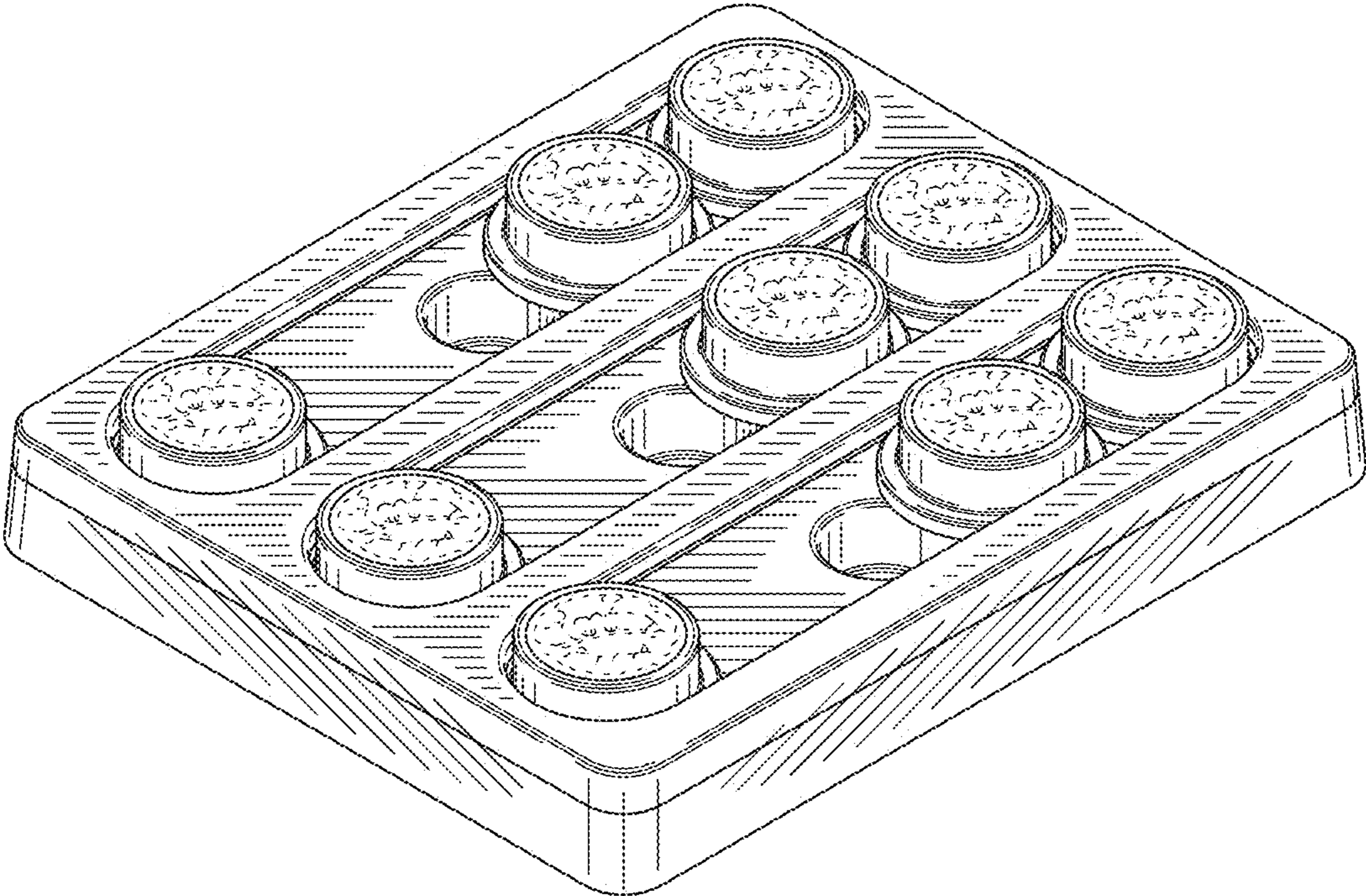


FIG. 1

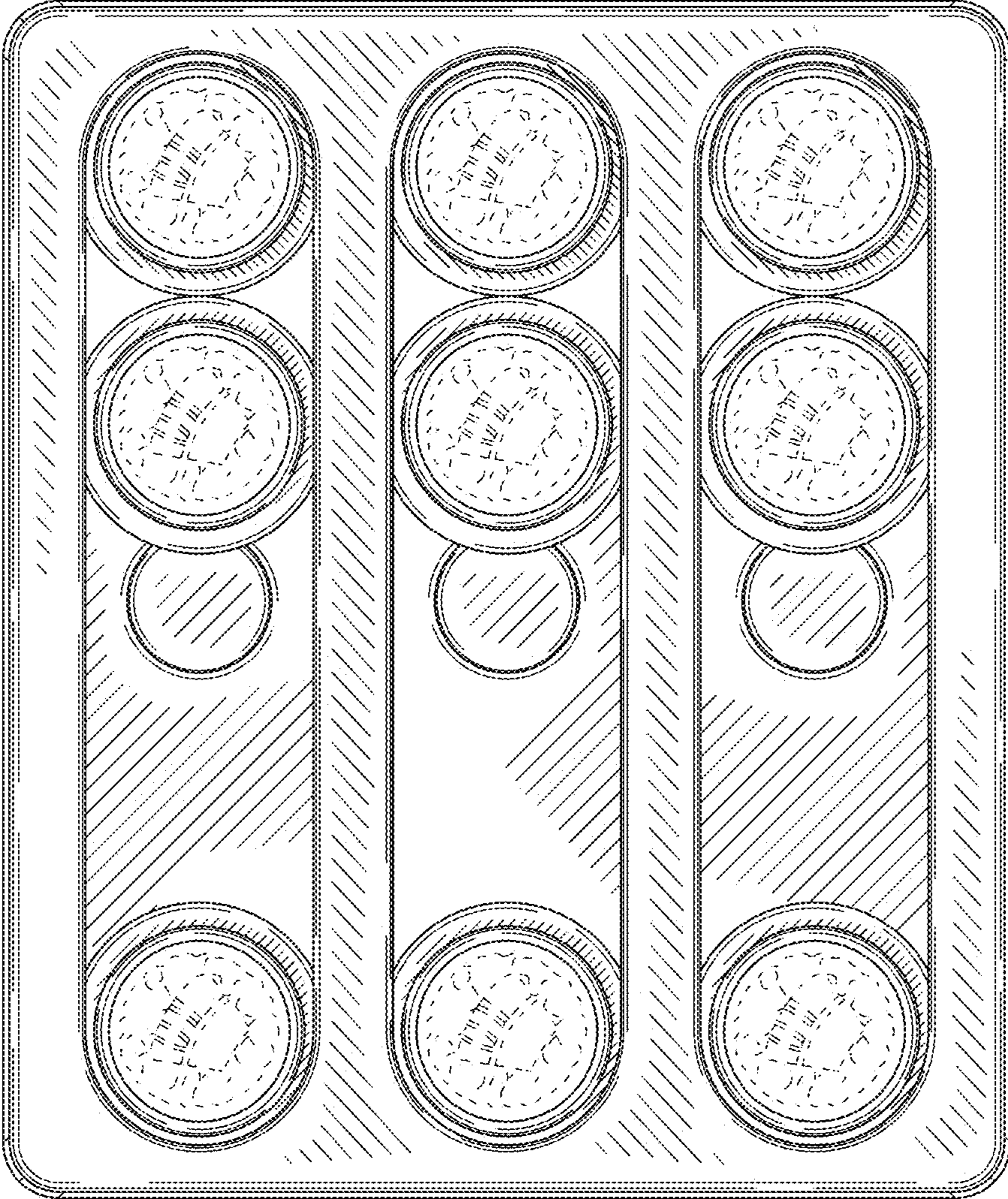


FIG. 2

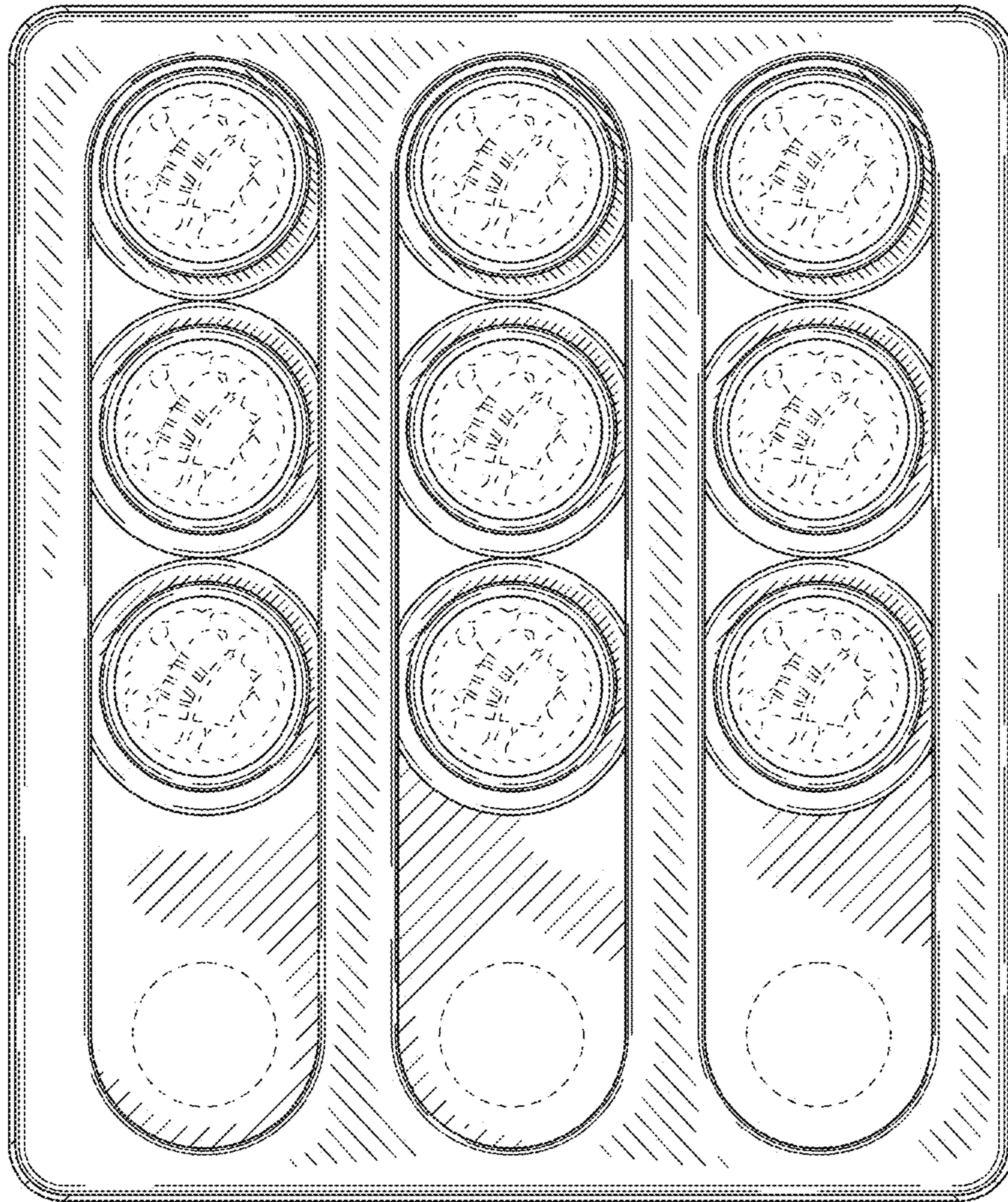


FIG. 3

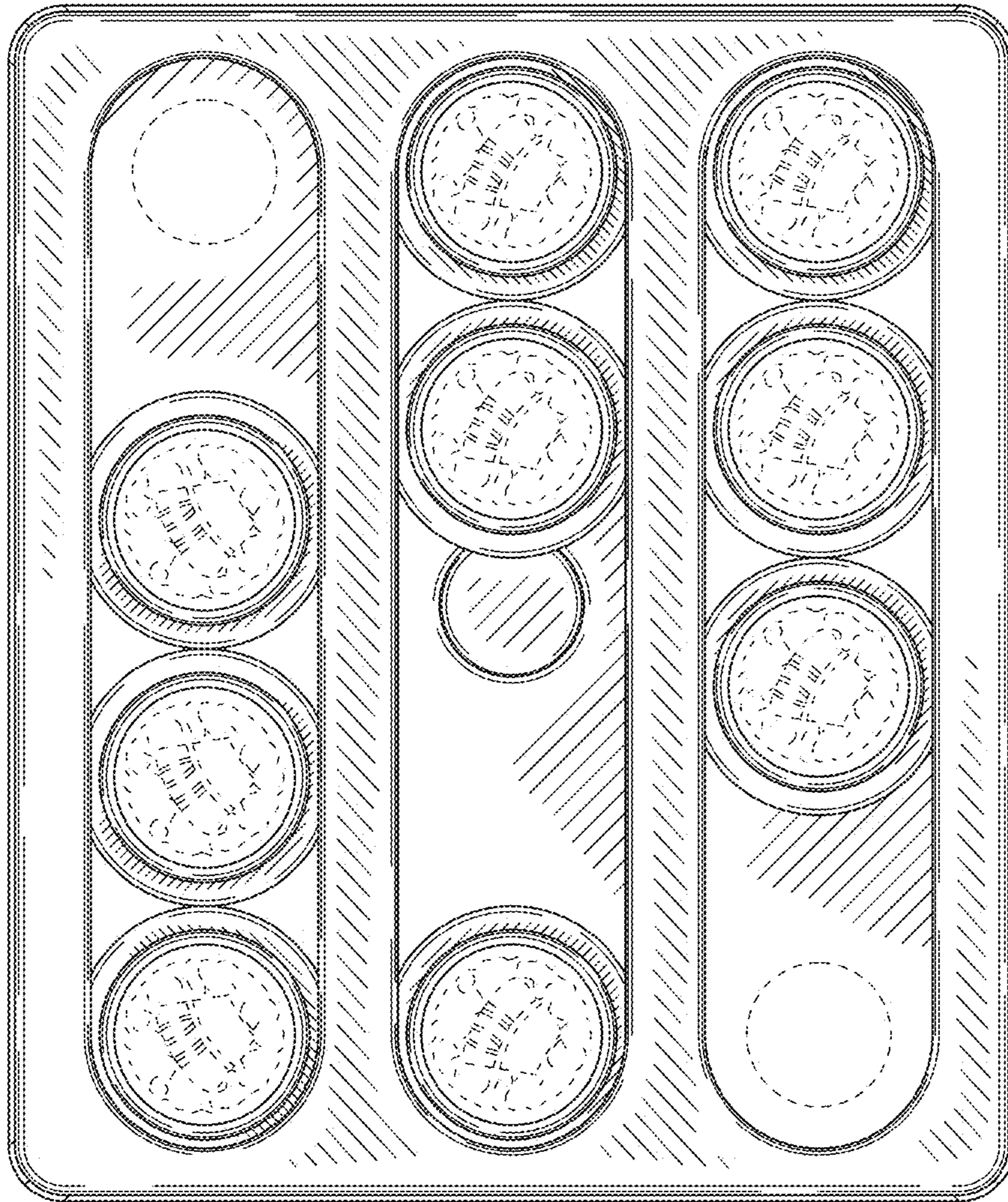


FIG. 4

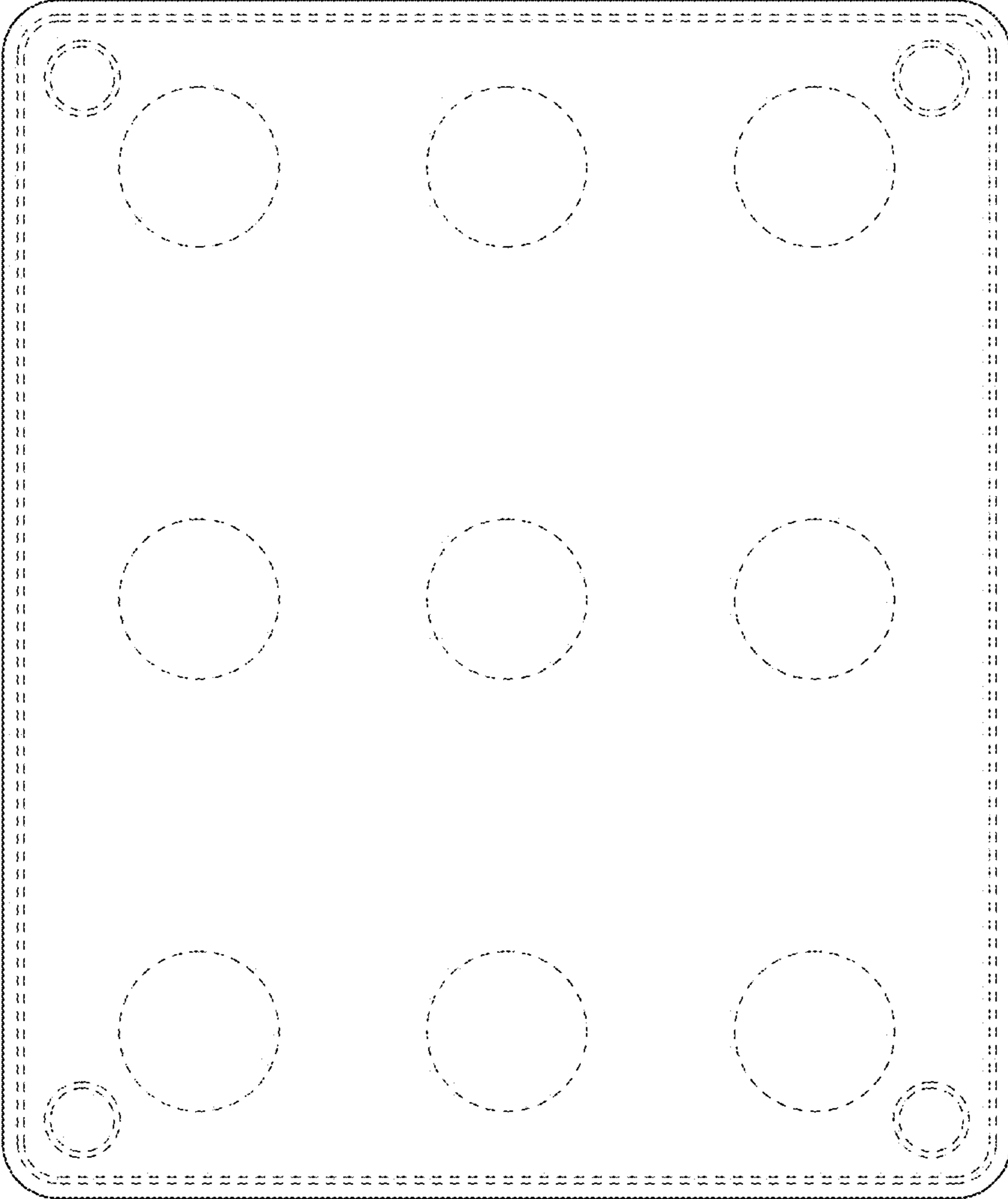


FIG. 5

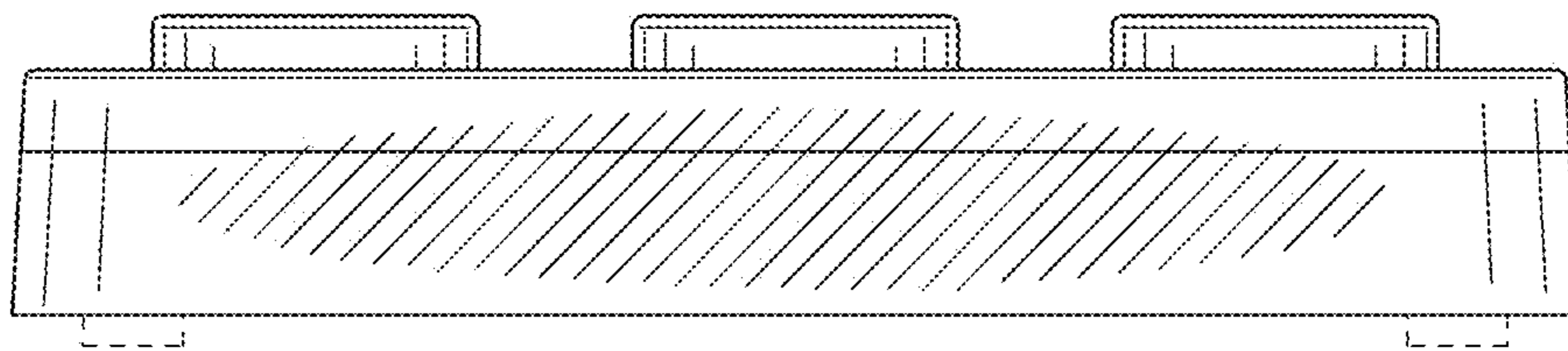


FIG. 6

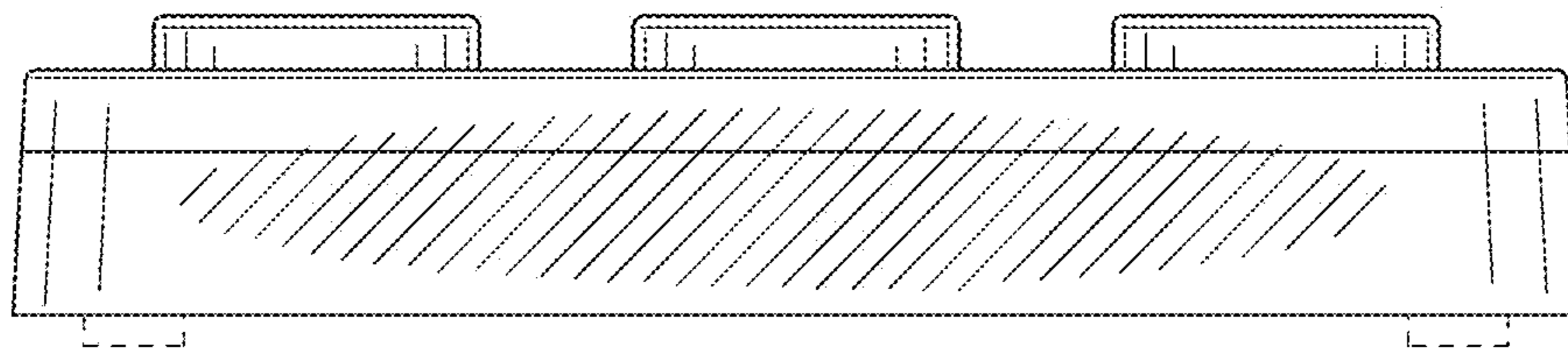


FIG. 7

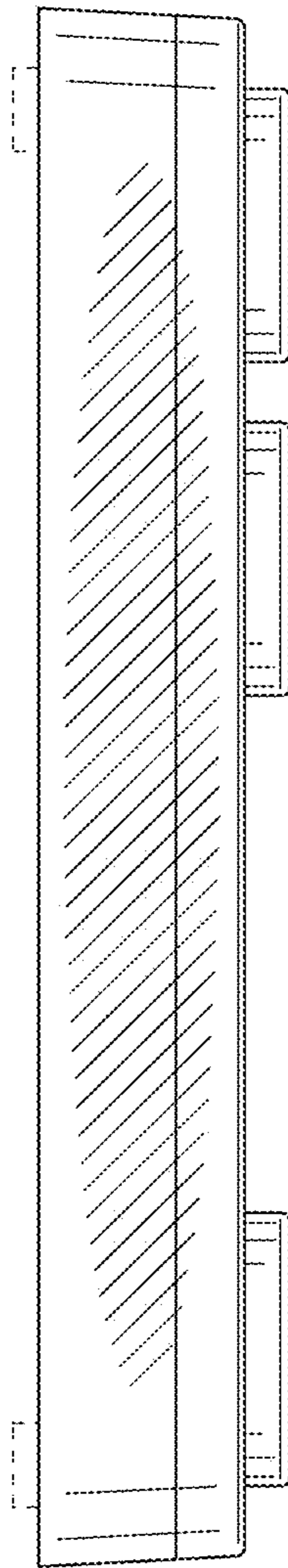


FIG. 8

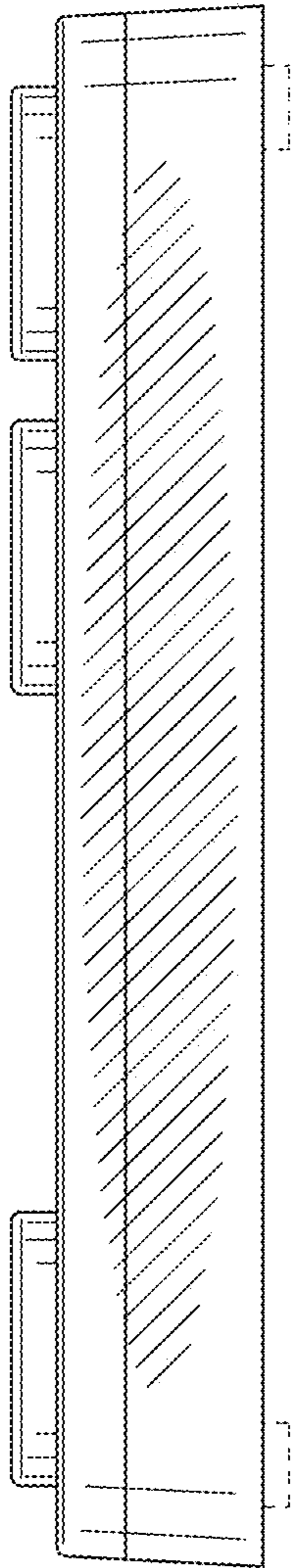


FIG. 9