



US0D1044051S

(12) **United States Design Patent**  
**Vallery**

(10) **Patent No.: US D1,044,051 S**

(45) **Date of Patent: \*\* Sep. 24, 2024**

(54) **CANDLE**

(71) Applicant: **Leslie Patrice Vallery**, Snellville, GA  
(US)

(72) Inventor: **Leslie Patrice Vallery**, Snellville, GA  
(US)

(\*\*) Term: **15 Years**

(21) Appl. No.: **29/773,945**

(22) Filed: **Mar. 12, 2021**

(51) **LOC (14) Cl. .... 26-02**

(52) **U.S. Cl.**  
USPC ..... **D26/7**

(58) **Field of Classification Search**  
USPC ..... D26/6, 7  
CPC ..... F21S 6/001; F21V 35/00; F21W 2121/002  
See application file for complete search history.

(56) **References Cited**

**U.S. PATENT DOCUMENTS**

2,541,725	A *	2/1951	Sundell	.....	C11C 5/008
					431/126
D257,641	S *	12/1980	Taylor	.....	D26/6
D380,057	S *	6/1997	Lukasik	.....	D26/6
D426,654	S *	6/2000	Orlandi	.....	D26/6
7,003,905	B1 *	2/2006	Derges	.....	B42D 15/042
					40/124.11

**OTHER PUBLICATIONS**

Book shaped candle, [https://www.123rf.com/photo\\_6264449\\_book-shaped-candle-and-candle-light-on-black-velvet-surface.html](https://www.123rf.com/photo_6264449_book-shaped-candle-and-candle-light-on-black-velvet-surface.html).  
 Stacked candle, [https://www.etsy.com/listing/897579037/stacked-candle-with-lavender-fragrance?ga\\_order=most\\_relevant&ga\\_search\\_type=all&ga\\_view\\_type=gallery&ga\\_search\\_query=stacking+candles&ref=sr\\_gallery-1-21&from\\_market\\_listing\\_grid\\_organic=1&frs=1](https://www.etsy.com/listing/897579037/stacked-candle-with-lavender-fragrance?ga_order=most_relevant&ga_search_type=all&ga_view_type=gallery&ga_search_query=stacking+candles&ref=sr_gallery-1-21&from_market_listing_grid_organic=1&frs=1).  
 Stacking Candles, [https://www.etsy.com/listing/856254284/stacking-candles-rotating?ga\\_order=most\\_relevant&ga\\_search\\_type=all&ga\\_view\\_type=gallery&ga\\_search\\_query=stacking+candles&ref=sr\\_gallery-1-2&from\\_market\\_listing\\_grid\\_organic=1&col=1](https://www.etsy.com/listing/856254284/stacking-candles-rotating?ga_order=most_relevant&ga_search_type=all&ga_view_type=gallery&ga_search_query=stacking+candles&ref=sr_gallery-1-2&from_market_listing_grid_organic=1&col=1).  
 Candle Archives, <http://www.sandwomancraft.com/tag/candle/>.

\* cited by examiner

*Primary Examiner* — Charles D Hanson

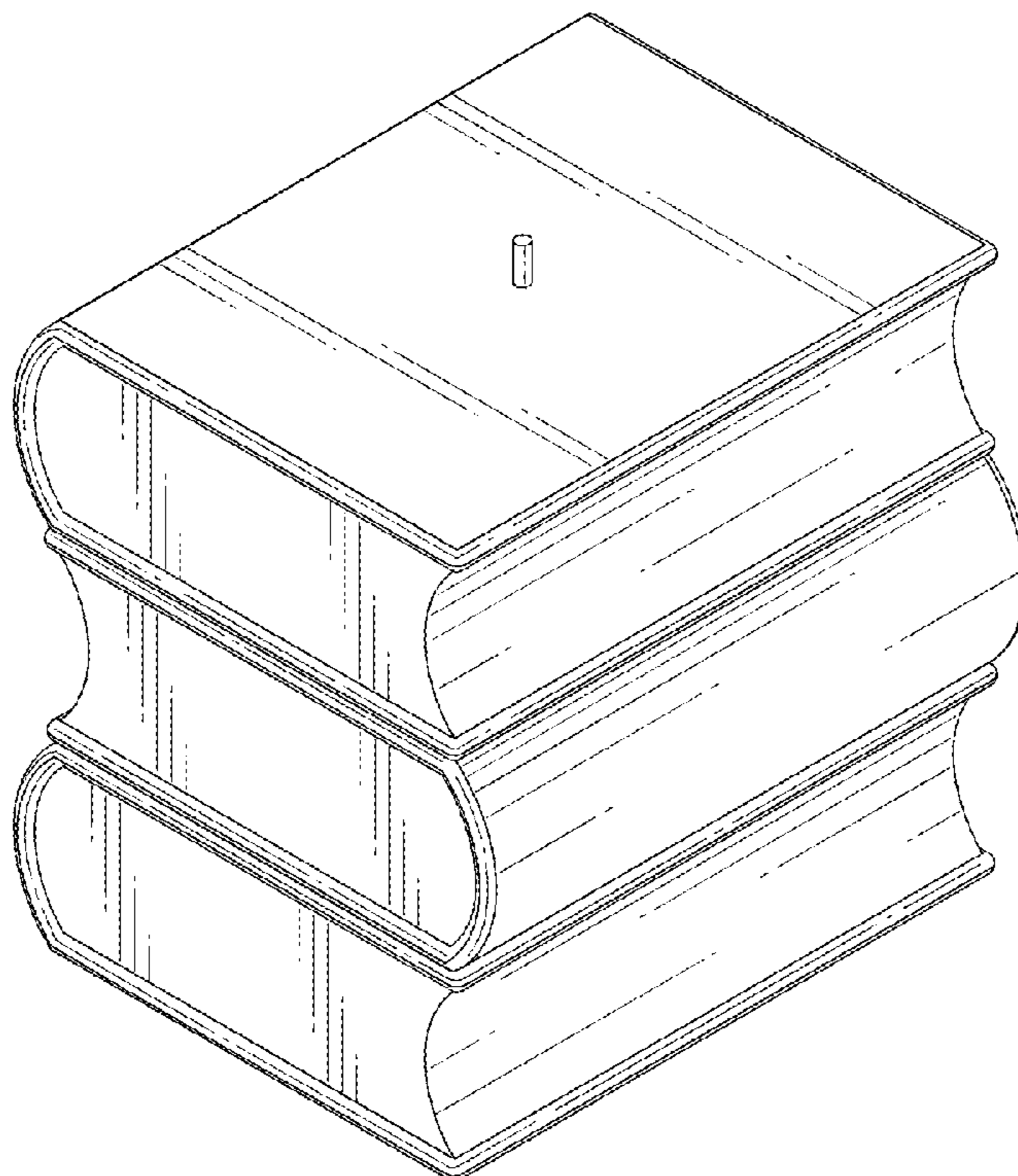
(57) **CLAIM**

The ornamental design for a candle, as shown and described.

**DESCRIPTION**

FIG. 1 is a front-top-right perspective view of a candle showing my new design;  
 FIG. 2 is a rear-top-left perspective view thereof;  
 FIG. 3 is a front-bottom-left perspective view thereof;  
 FIG. 4 is a front elevational view thereof;  
 FIG. 5 is a rear elevational view thereof;  
 FIG. 6 is a top plan view thereof;  
 FIG. 7 is a bottom view thereof;  
 FIG. 8 is a right-side elevational view thereof; and,  
 FIG. 9 is a left-side elevational view thereof.

**1 Claim, 9 Drawing Sheets**



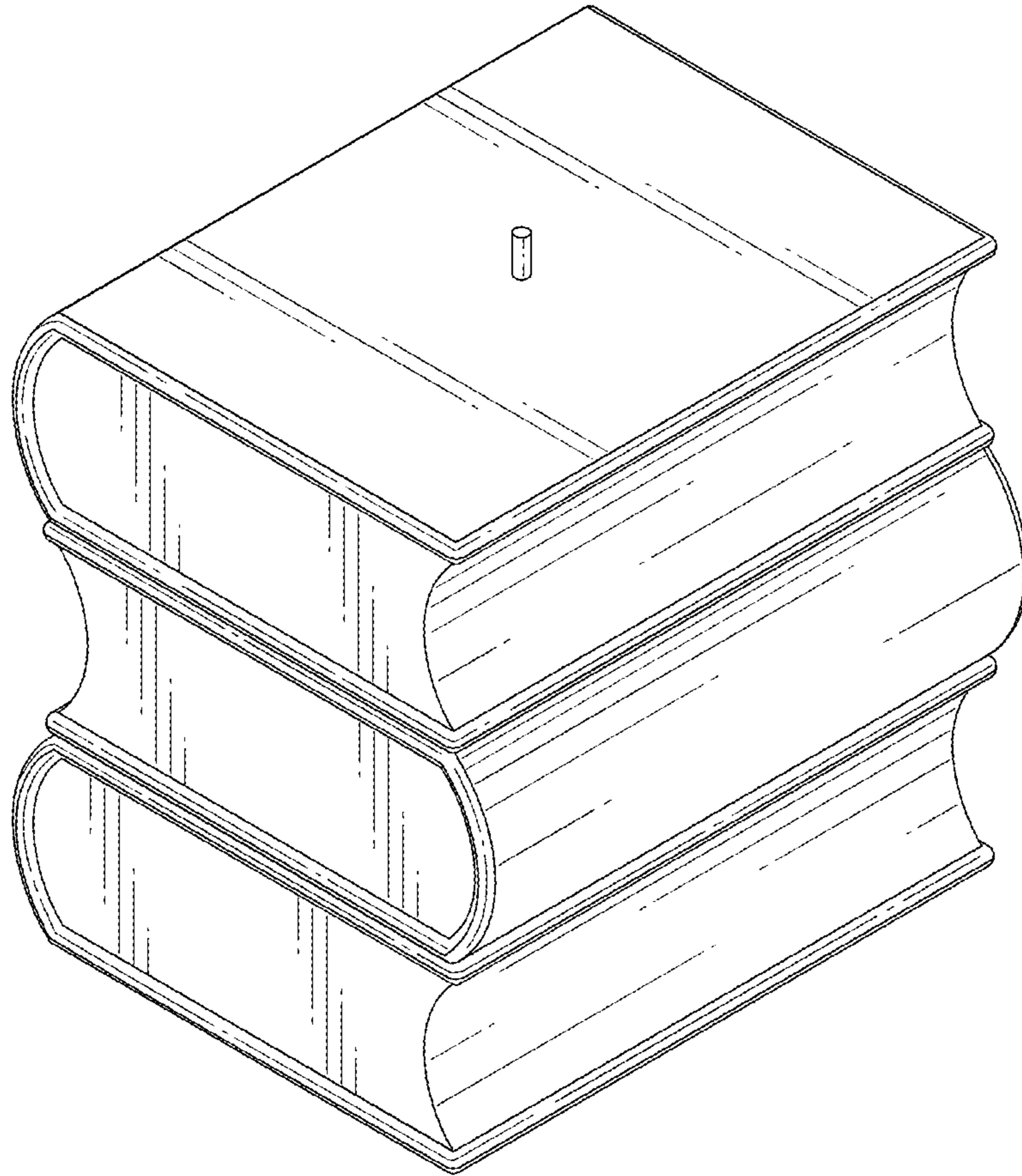


FIG. 1

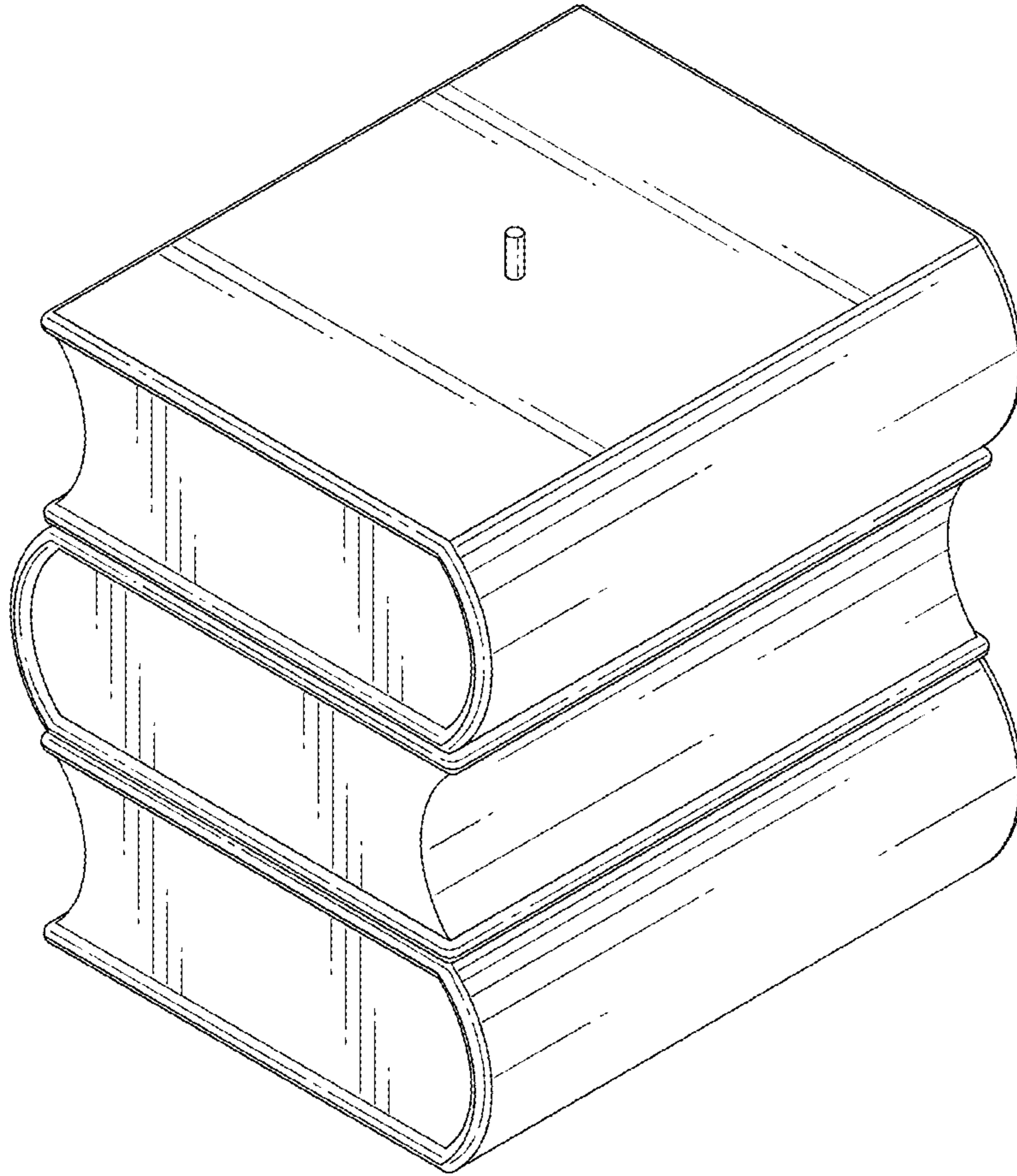


FIG. 2

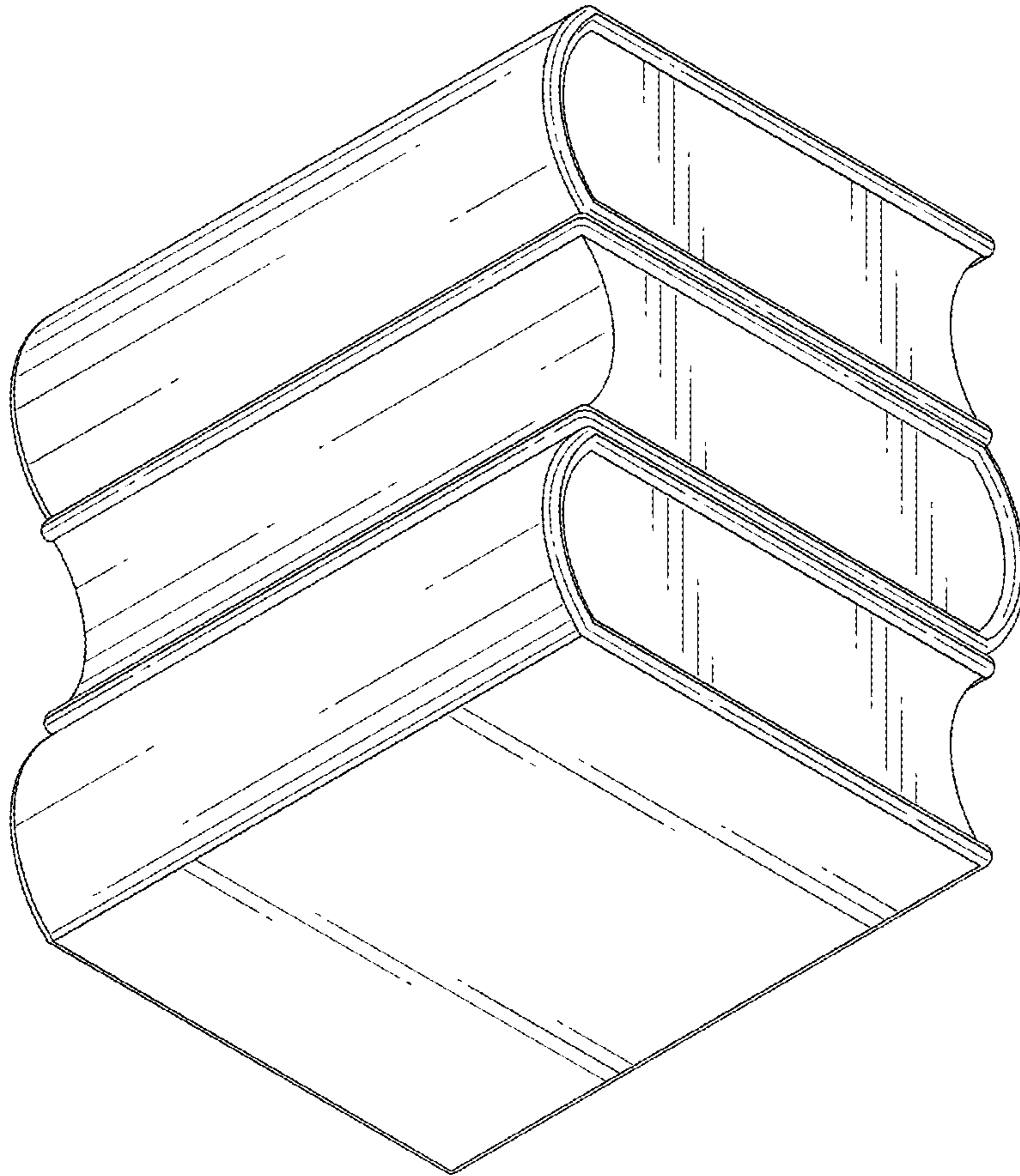


FIG. 3

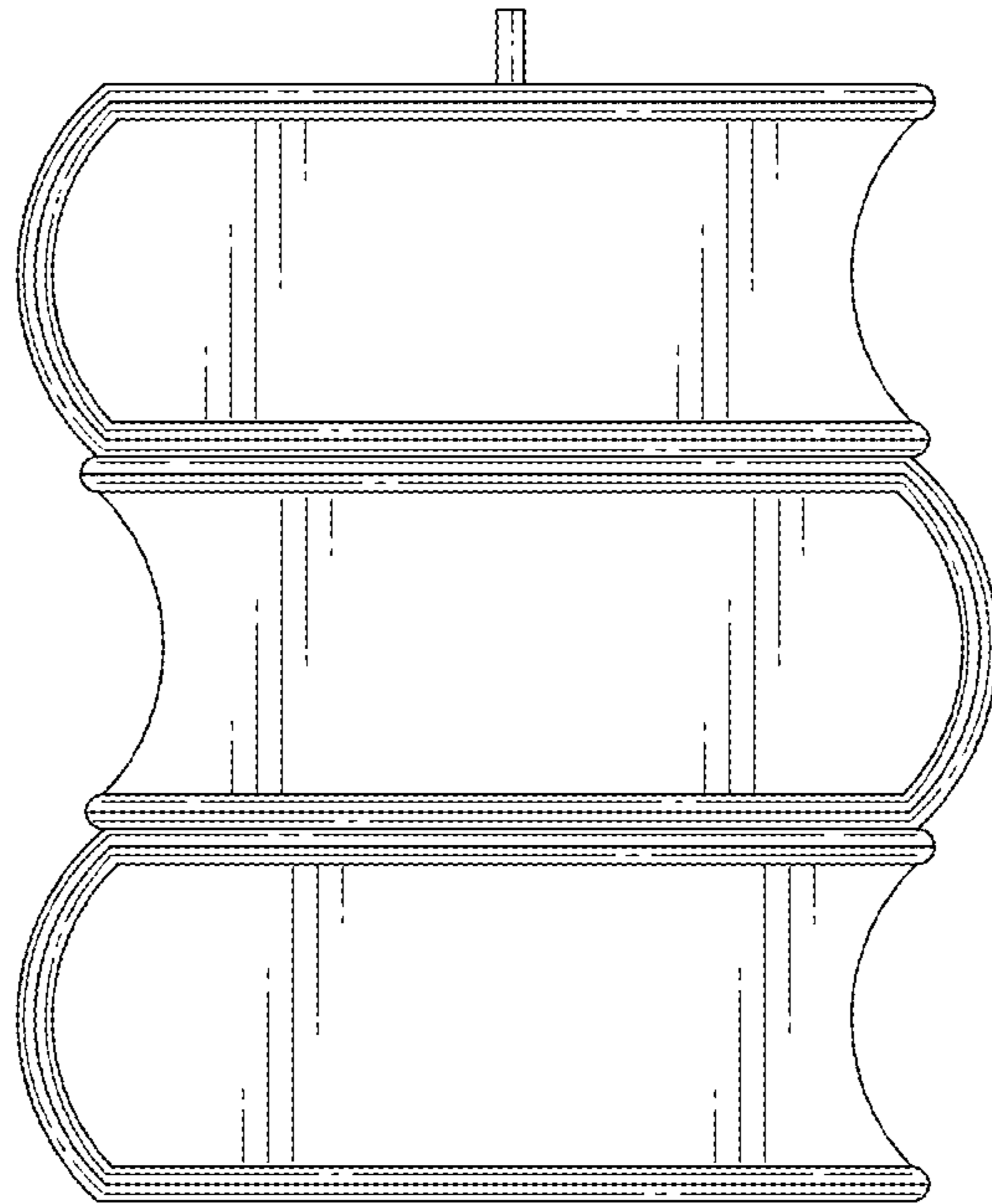


FIG. 4

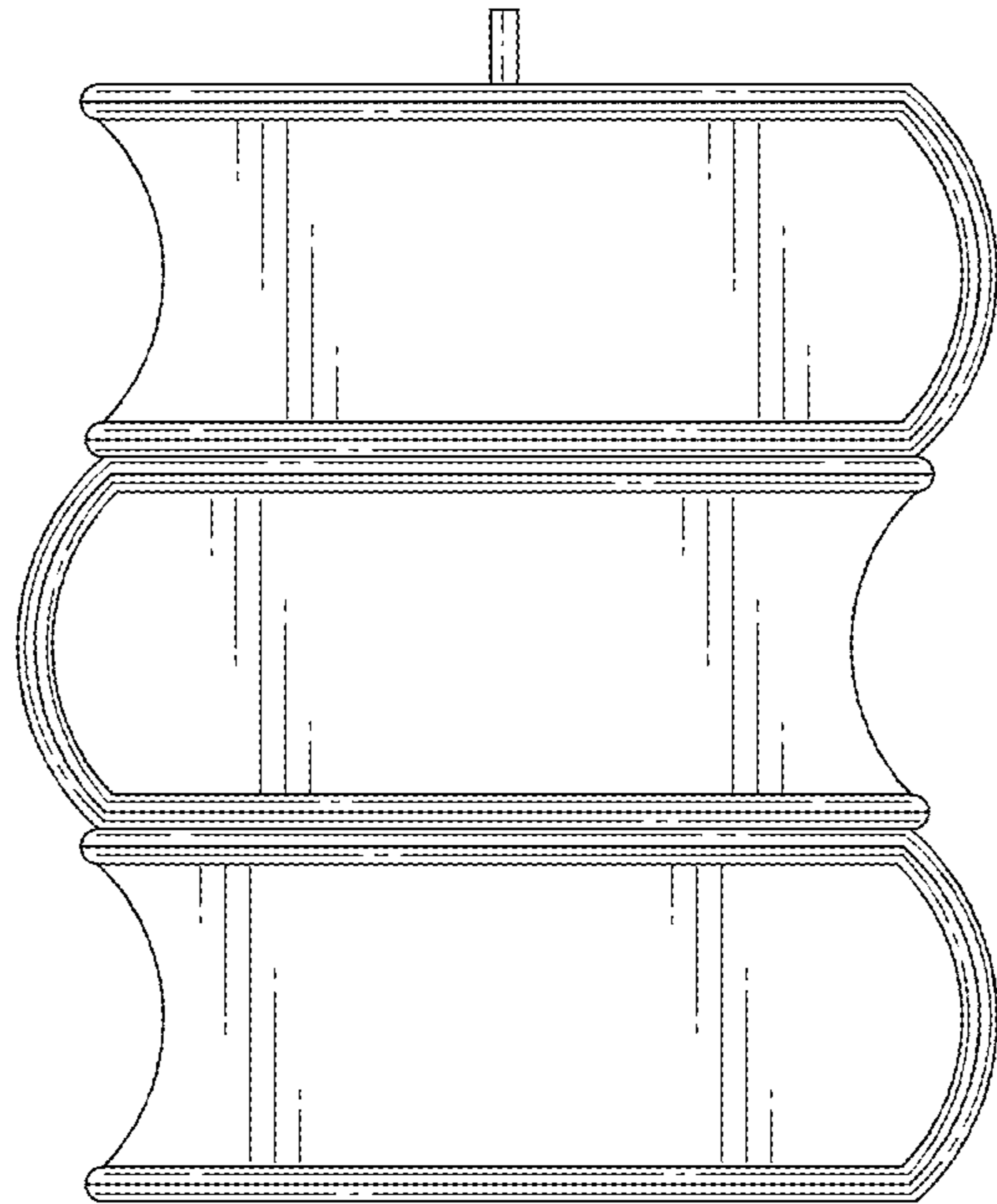


FIG. 5

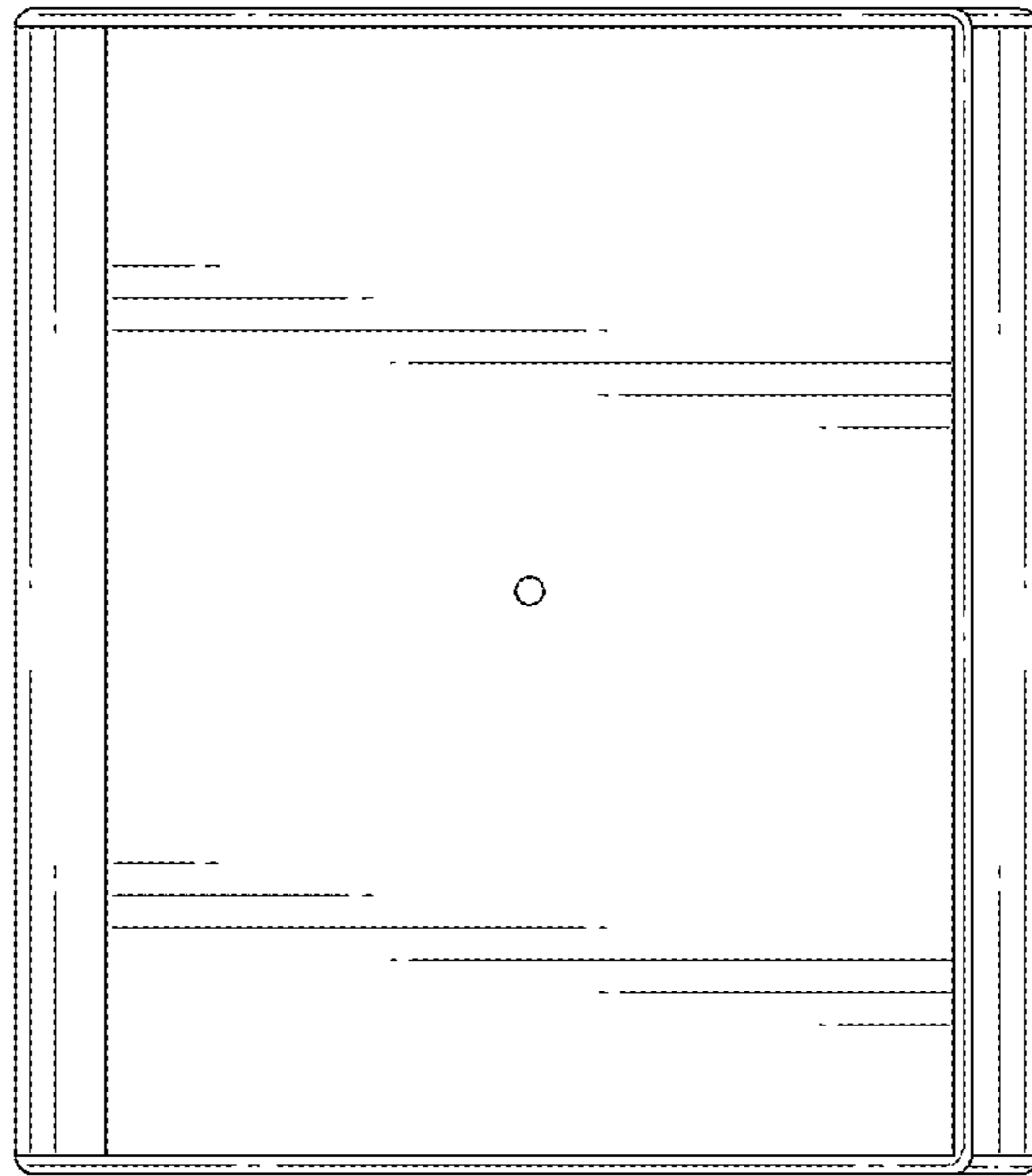


FIG. 6

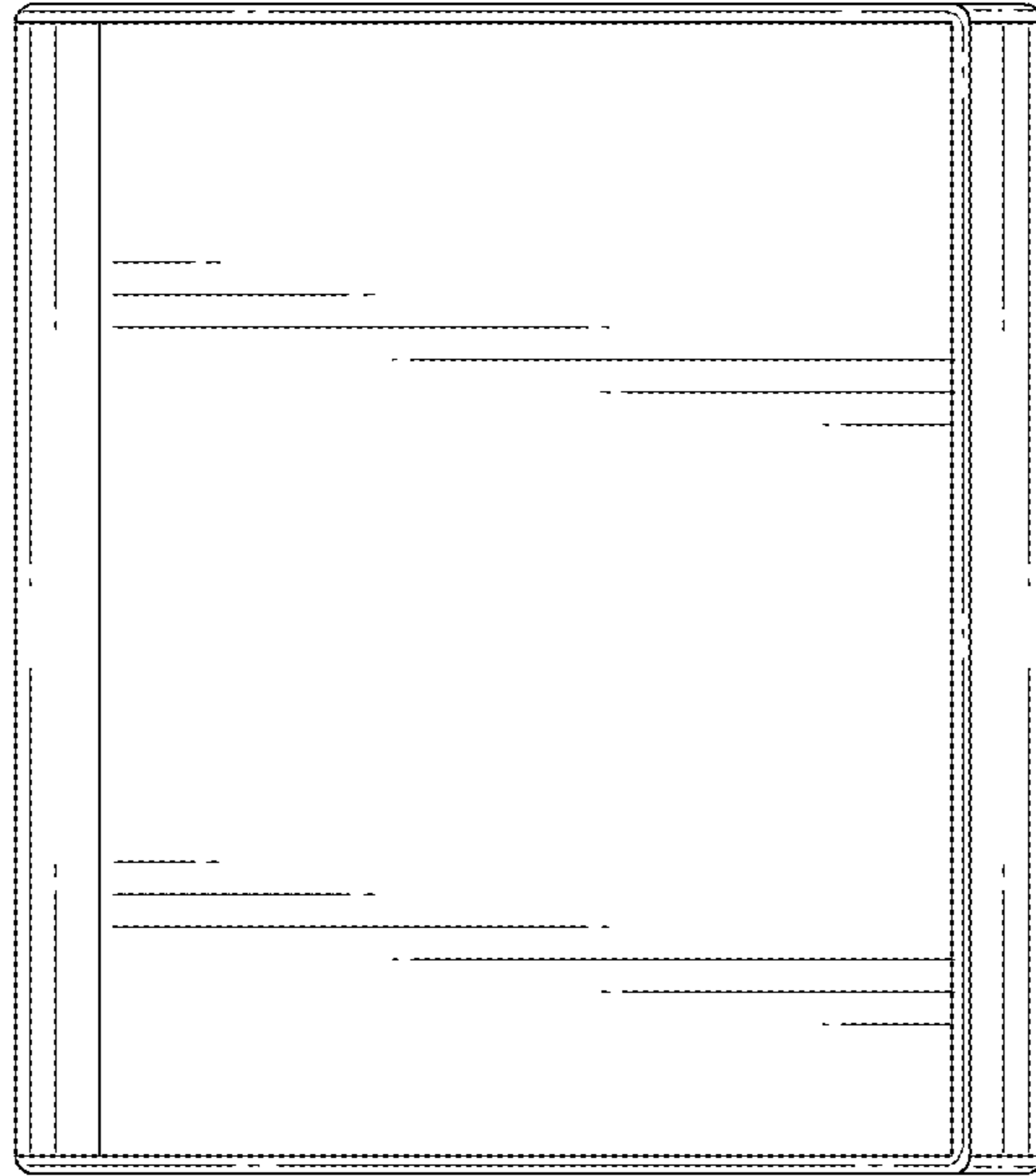


FIG. 7



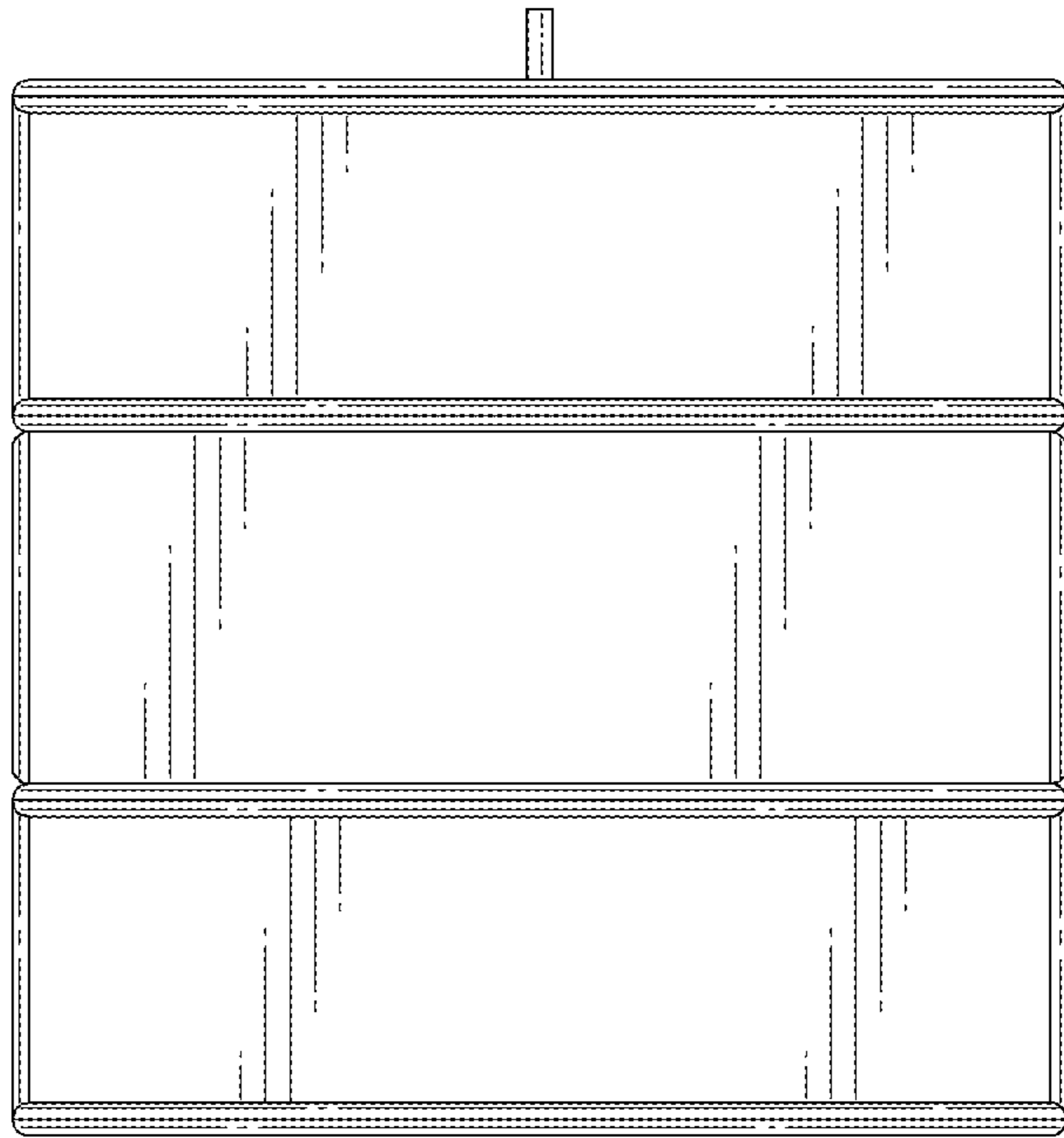


FIG. 8

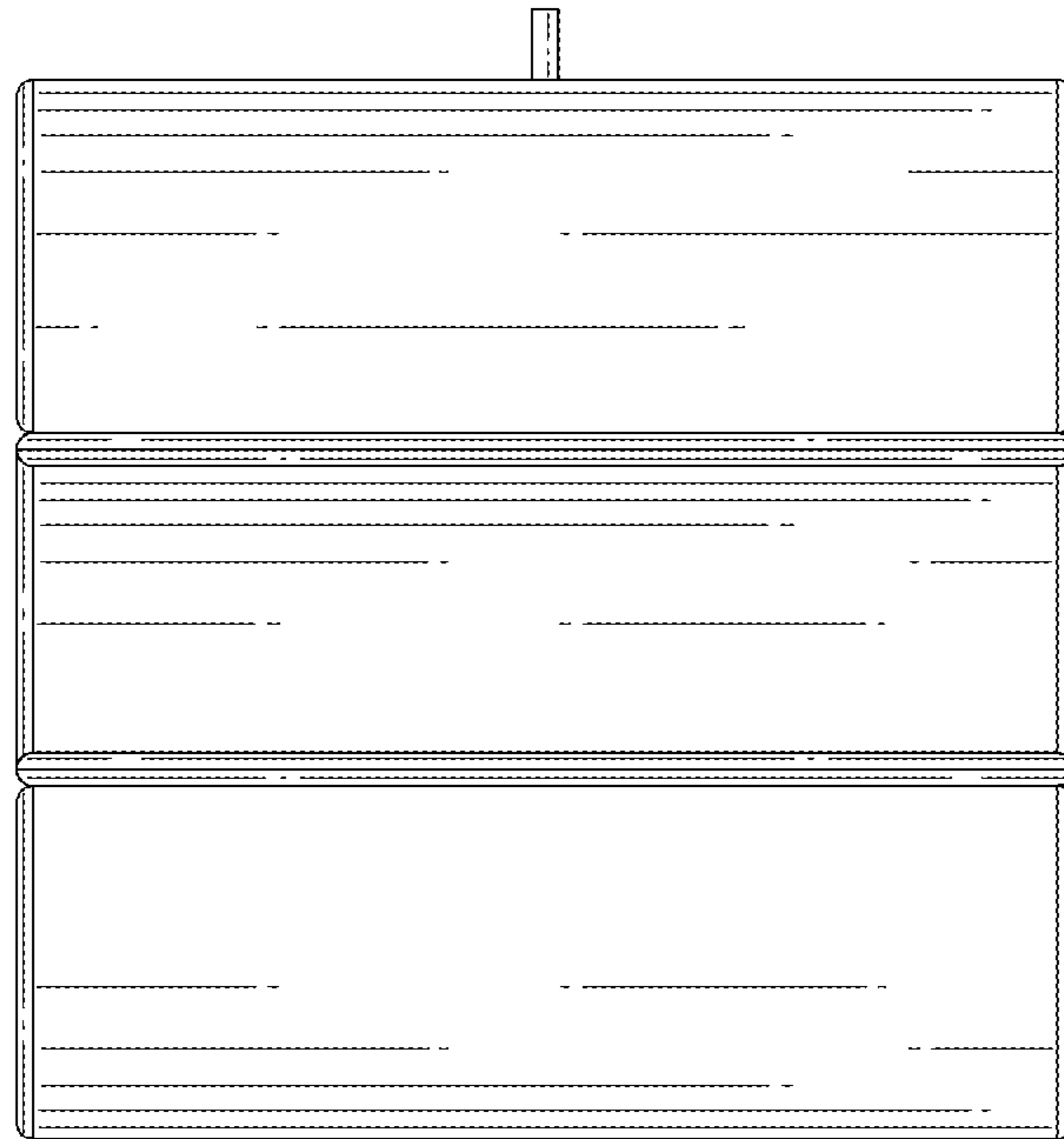


FIG. 9