



US0D1044044S

(12) **United States Design Patent** (10) **Patent No.:** **US D1,044,044 S**  
**McGrath et al.** (45) **Date of Patent:** **\*\* Sep. 24, 2024**

(54) **ROOFING MATERIAL**  
(71) Applicant: **BMIC LLC**, Dallas, TX (US)  
(72) Inventors: **Kevin Peter McGrath**, Denville, NJ (US); **Soufiane Mohand Kaci**, Lincoln Park, NJ (US); **Eric R. Anderson**, Montclair, NJ (US)

(73) Assignee: **BMIC LLC**, Dallas, TX (US)

(\*\*) Term: **15 Years**

(21) Appl. No.: **29/924,520**

(22) Filed: **Jan. 19, 2024**

(51) **LOC (14) Cl.** ..... **25-01**

(52) **U.S. Cl.**  
USPC ..... **D25/139**

(58) **Field of Classification Search**  
USPC ..... D8/349, 354, 373, 382, 499;  
D25/138-142, 156, 163, 199  
CPC .... E04D 1/00; E04D 1/16; E04D 1/18; E04D 1/20; E04D 1/22; E04D 1/26; E04D 1/34; E04D 11/02; E04D 3/00; E04D 3/02; E04D 3/364; E04D 5/142; E04D 13/15; E04D 13/155; E04D 13/1643; E04D 2013/0422; E04F 13/08; E04F 2201/035; A47K 3/008; E04B 1/62; E06B 2001/628  
See application file for complete search history.

(56) **References Cited**

**U.S. PATENT DOCUMENTS**

1,876,597 A	9/1932	Bennett	
3,347,001 A	10/1967	Cosden	
3,667,184 A	6/1972	Merrill et al.	
4,890,432 A	1/1990	Sheperd	
5,613,337 A	3/1997	Plath et al.	
D413,396 S	8/1999	Thagard, III et al.	
6,499,255 B1 *	12/2002	Givoni	E04C 2/543 49/82.1
D478,179 S	8/2003	Fifield	

D526,727 S *	8/2006	Ross	D25/141
D527,835 S *	9/2006	Ross	D25/141
7,331,150 B2	2/2008	Martinique	
D595,431 S	6/2009	Day	
D599,037 S *	8/2009	Henriquez	D25/138
D599,038 S *	8/2009	Henriquez	D25/138
D604,867 S *	11/2009	Henriquez	D25/138
D604,868 S *	11/2009	Conradi	D25/140
D643,133 S *	8/2011	Steffes	D25/141

(Continued)

*Primary Examiner* — T Chase Nelson

*Assistant Examiner* — Sydney Margaret Parsley

(74) *Attorney, Agent, or Firm* — Venable LLP

(57) **CLAIM**

The ornamental design for a roofing material, as shown and described.

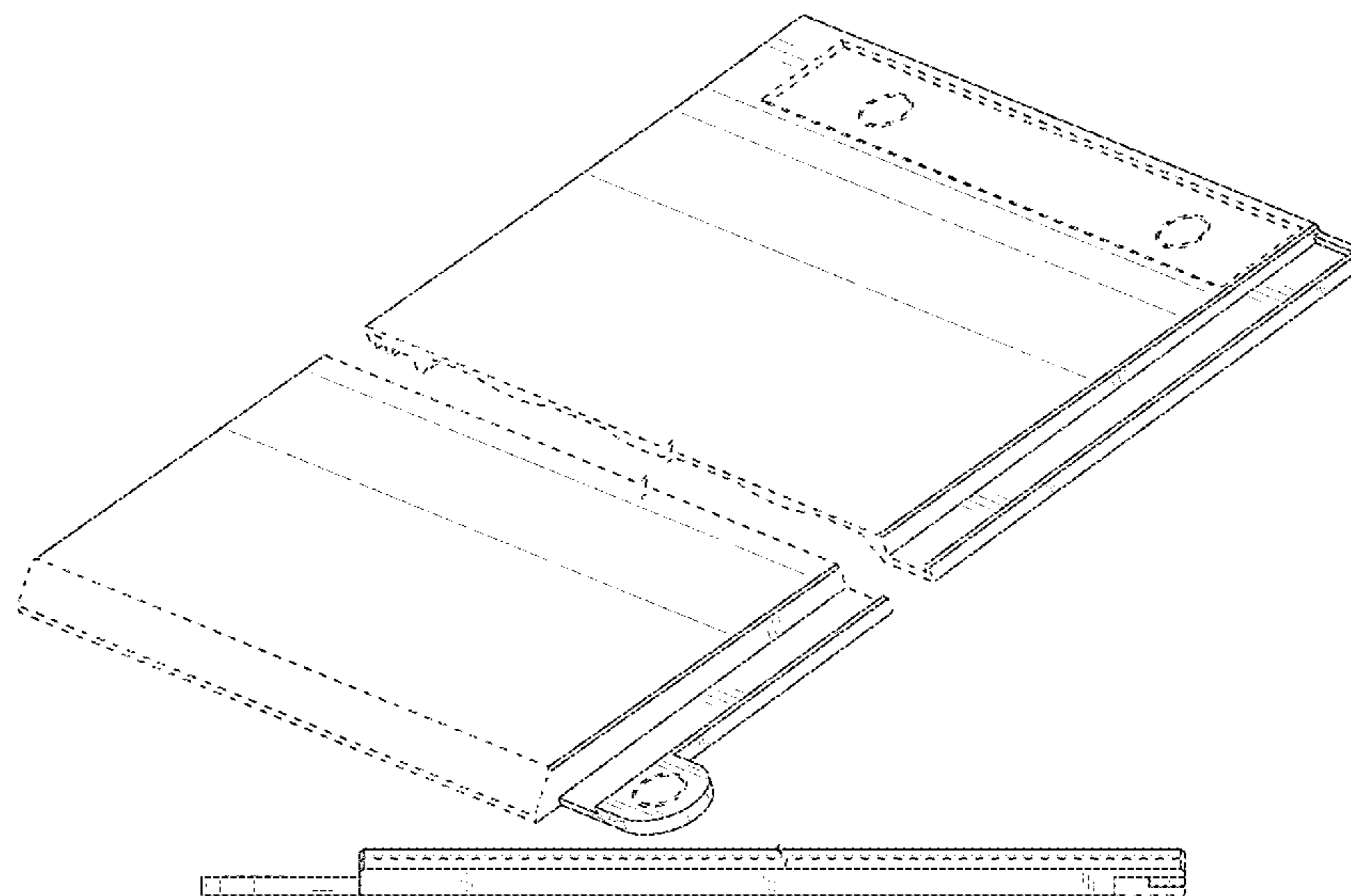
**DESCRIPTION**

FIG. 1 is a top perspective view of an embodiment of a roofing material;  
FIG. 2 is a front view of the embodiment shown in FIG. 1;  
FIG. 3 is a rear view of the embodiment shown in FIG. 1;  
FIG. 4 is a left side view of the embodiment shown in FIG. 1;  
FIG. 5 is a right side view of the embodiment shown in FIG. 1;  
FIG. 6 is a top view of the embodiment shown in FIG. 1; and  
FIG. 7 is a bottom view of the embodiment shown in FIG. 1.

The broken lines illustrate portions of the roofing material that form no part of the claimed design. The dashed break-away lines also form no part of the claimed design.

The appearance of any portion of the roofing material between the break lines shown in FIGS. 1 and 3-7 form no part of the claimed design.

**1 Claim, 7 Drawing Sheets**



(56)

References Cited

U.S. PATENT DOCUMENTS

D643,548 S \* 8/2011 Wakefield ..... D25/140  
 D650,921 S \* 12/2011 Hudson, Jr. et al.  
 D661,819 S \* 6/2012 Rider ..... D25/119  
 D661,820 S \* 6/2012 Rider ..... D25/119  
 8,347,587 B2 1/2013 Thomas  
 D711,558 S \* 8/2014 Bobolts et al.  
 D742,541 S \* 11/2015 Ryan ..... D25/119  
 D743,578 S \* 11/2015 Robert ..... D25/138  
 D746,487 S \* 12/2015 Bilge ..... D25/136  
 9,267,296 B2 2/2016 Maurer et al.  
 D764,687 S \* 8/2016 Anderson ..... D25/141  
 D767,170 S \* 9/2016 Labonte ..... D25/138  
 D768,883 S \* 10/2016 Wade ..... D25/141  
 D801,553 S \* 10/2017 Luberd ..... D25/139  
 D805,220 S \* 12/2017 Grubka ..... D25/139  
 D814,067 S \* 3/2018 De Giorgi ..... D25/139  
 D827,159 S \* 8/2018 Anderson ..... D25/141  
 D827,160 S \* 8/2018 Menton  
 D831,233 S \* 10/2018 Anderson ..... D25/141  
 D831,234 S \* 10/2018 Clayton ..... D25/141  
 D831,235 S \* 10/2018 Clayton ..... D25/141  
 D843,602 S \* 3/2019 Grubka ..... D25/139  
 10,246,831 B1 \* 4/2019 Loughran ..... A63C 19/10  
 D857,930 S \* 8/2019 Madimirovich et al.  
 D861,195 S \* 9/2019 Wilkie ..... D25/141  
 10,428,517 B1 \* 10/2019 Starks, Jr. .... E04B 1/388  
 D870,321 S \* 12/2019 Freiborg ..... D25/139  
 D874,686 S \* 2/2020 Unzek Freiman ..... D25/141  
 D884,220 S \* 5/2020 Waters ..... D25/138  
 D892,358 S \* 8/2020 Chun ..... D25/140  
 D895,162 S \* 9/2020 Chun ..... D25/140  
 10,947,728 B1 3/2021 Sobrino  
 D917,080 S \* 4/2021 Correia ..... D25/139  
 D925,778 S \* 7/2021 Lach ..... D25/141  
 D928,348 S \* 8/2021 Moses, Jr. .... D25/139  
 11,131,097 B2 \* 9/2021 Bartel ..... E04B 1/62  
 D941,501 S \* 1/2022 Gunderson ..... D25/138  
 D943,777 S \* 2/2022 Lette ..... D25/138  
 D943,778 S \* 2/2022 Lette ..... D25/138  
 D943,779 S \* 2/2022 Lette ..... D25/138  
 11,384,542 B2 7/2022 DeRogatis et al.  
 D966,563 S \* 10/2022 Truss et al.  
 D973,234 S \* 12/2022 Zombek ..... D25/141  
 D979,101 S \* 2/2023 Sexton ..... D25/141

D979,800 S \* 2/2023 Shaw ..... D25/141  
 D982,187 S \* 3/2023 Svec ..... D25/139  
 D982,188 S \* 3/2023 Svec ..... D25/139  
 D983,419 S \* 4/2023 Skawska ..... D25/138  
 D983,420 S \* 4/2023 Svec ..... D25/139  
 D983,421 S \* 4/2023 Svec ..... D25/139  
 D983,422 S \* 4/2023 Svec ..... D25/139  
 D984,681 S \* 4/2023 Svec ..... D25/139  
 D984,682 S \* 4/2023 Svec ..... D25/139  
 D987,124 S \* 5/2023 Svec ..... D25/139  
 11,639,604 B1 \* 5/2023 Smith, Jr. .... E04D 3/30  
 52/90.1  
 11,661,746 B2 \* 5/2023 Yang ..... E04D 5/146  
 52/410  
 D989,357 S \* 6/2023 Woodland ..... D25/143  
 D993,462 S \* 7/2023 Yang ..... D25/139  
 D998,189 S \* 9/2023 Shaw ..... D25/141  
 D998,828 S \* 9/2023 Maisonneuve ..... D25/141  
 D999,939 S \* 9/2023 Hoover ..... D25/141  
 11,855,580 B2 \* 12/2023 Svec ..... H02S 20/25  
 D1,010,161 S \* 1/2024 Baxter ..... D25/138  
 D1,013,902 S \* 2/2024 Anger ..... D25/141  
 D1,015,263 S \* 2/2024 Liu ..... D13/102  
 11,894,798 B2 \* 2/2024 Rodrigues ..... H02S 20/23  
 D1,017,381 S \* 3/2024 Chen ..... D8/354  
 D1,022,260 S \* 4/2024 Alfonso ..... D25/139  
 D1,023,348 S \* 4/2024 Svec ..... D25/139  
 D1,025,407 S \* 4/2024 Geiger ..... D25/138  
 D1,026,256 S \* 5/2024 Anderson ..... D25/139  
 D1,026,258 S \* 5/2024 Anderson ..... D25/139  
 D1,026,259 S \* 5/2024 Anderson ..... D25/139  
 D1,029,304 S \* 5/2024 Rashid ..... D25/138  
 2014/0237930 A1 \* 8/2014 Fu ..... E04D 1/34  
 52/551  
 2015/0040502 A1 \* 2/2015 Jaks ..... E04D 3/362  
 52/309.4  
 2015/0096246 A1 \* 4/2015 Chan ..... E04D 13/0315  
 52/203  
 2017/0058528 A1 \* 3/2017 Verhoff ..... E04D 1/28  
 2019/0242134 A1 \* 8/2019 Nunley ..... E04D 3/352  
 2020/0149272 A1 \* 5/2020 Magas ..... E04F 13/14  
 2020/0378124 A1 12/2020 Boor et al.  
 2021/0102382 A1 \* 4/2021 Shaw ..... E04F 13/0876  
 2021/0246665 A1 \* 8/2021 Bartel ..... B29C 48/07  
 2023/0003028 A1 1/2023 Boss et al.

\* cited by examiner

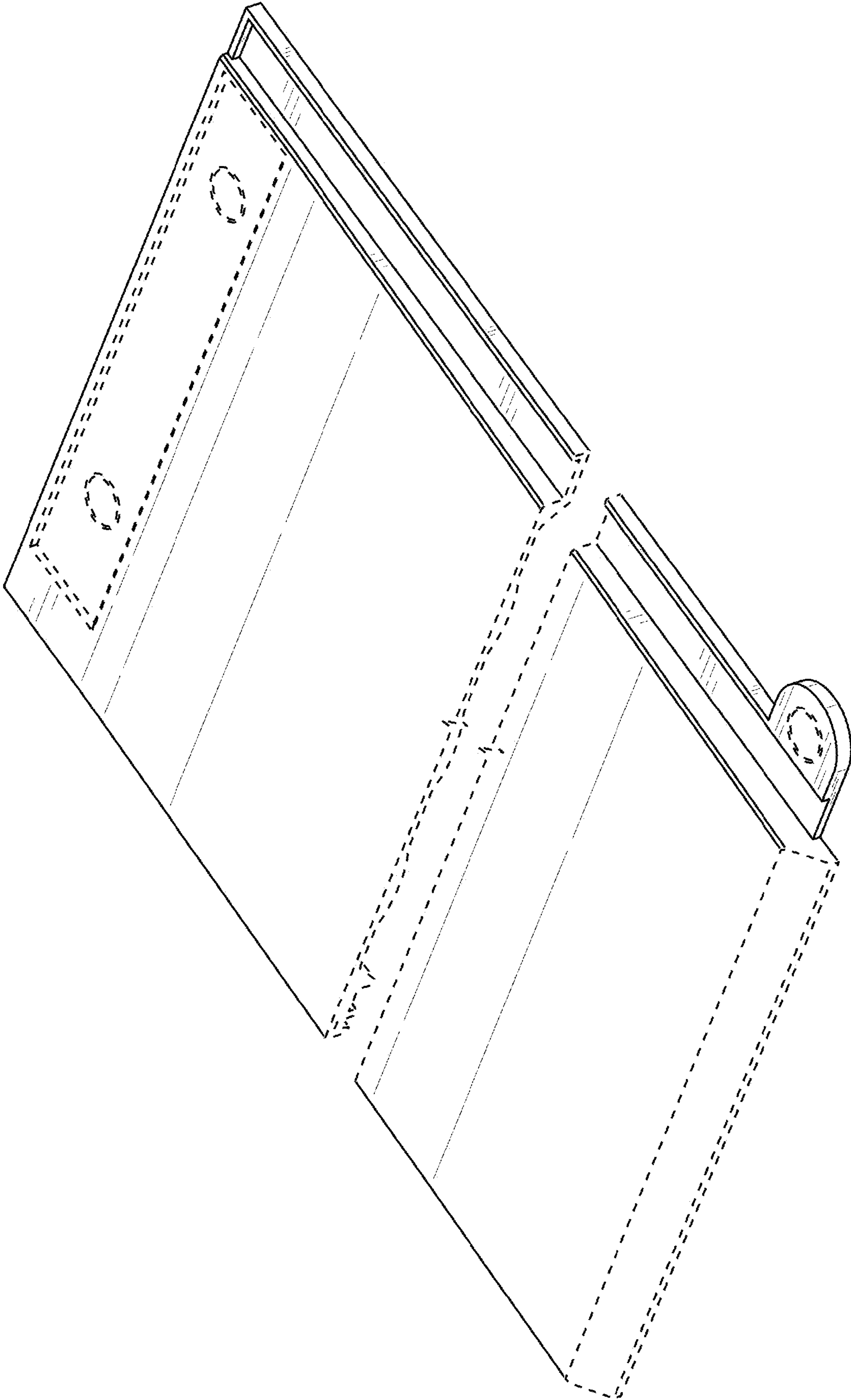
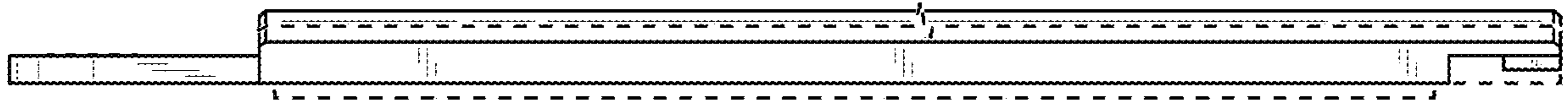


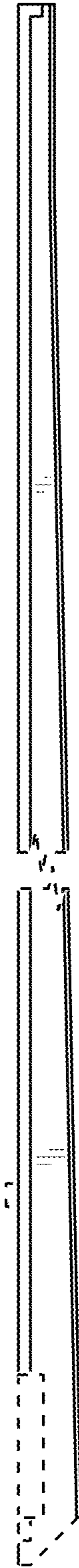
FIG. 1



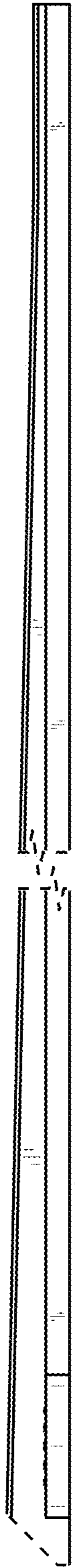
**FIG. 2**



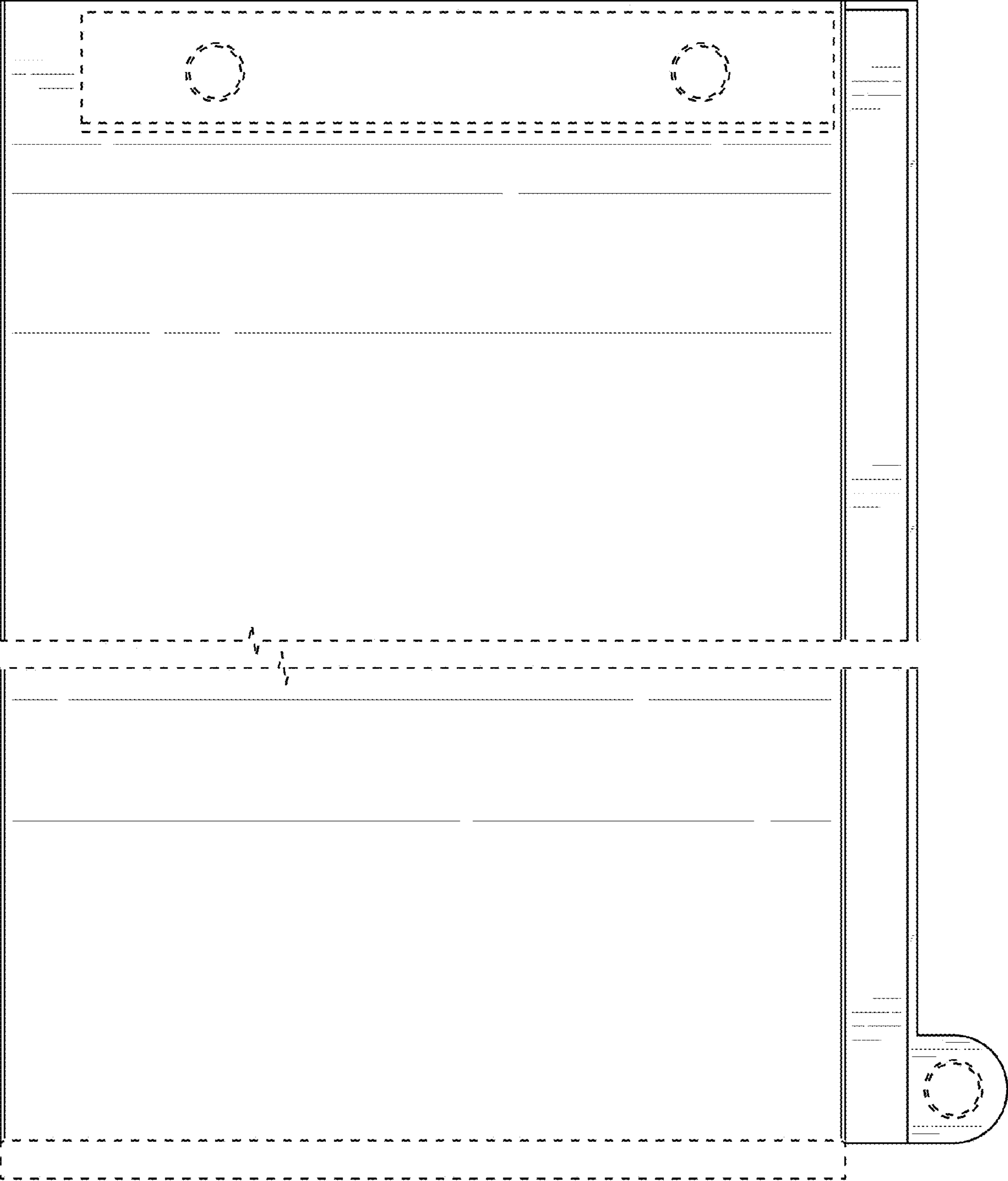
**FIG. 3**



**FIG. 4**

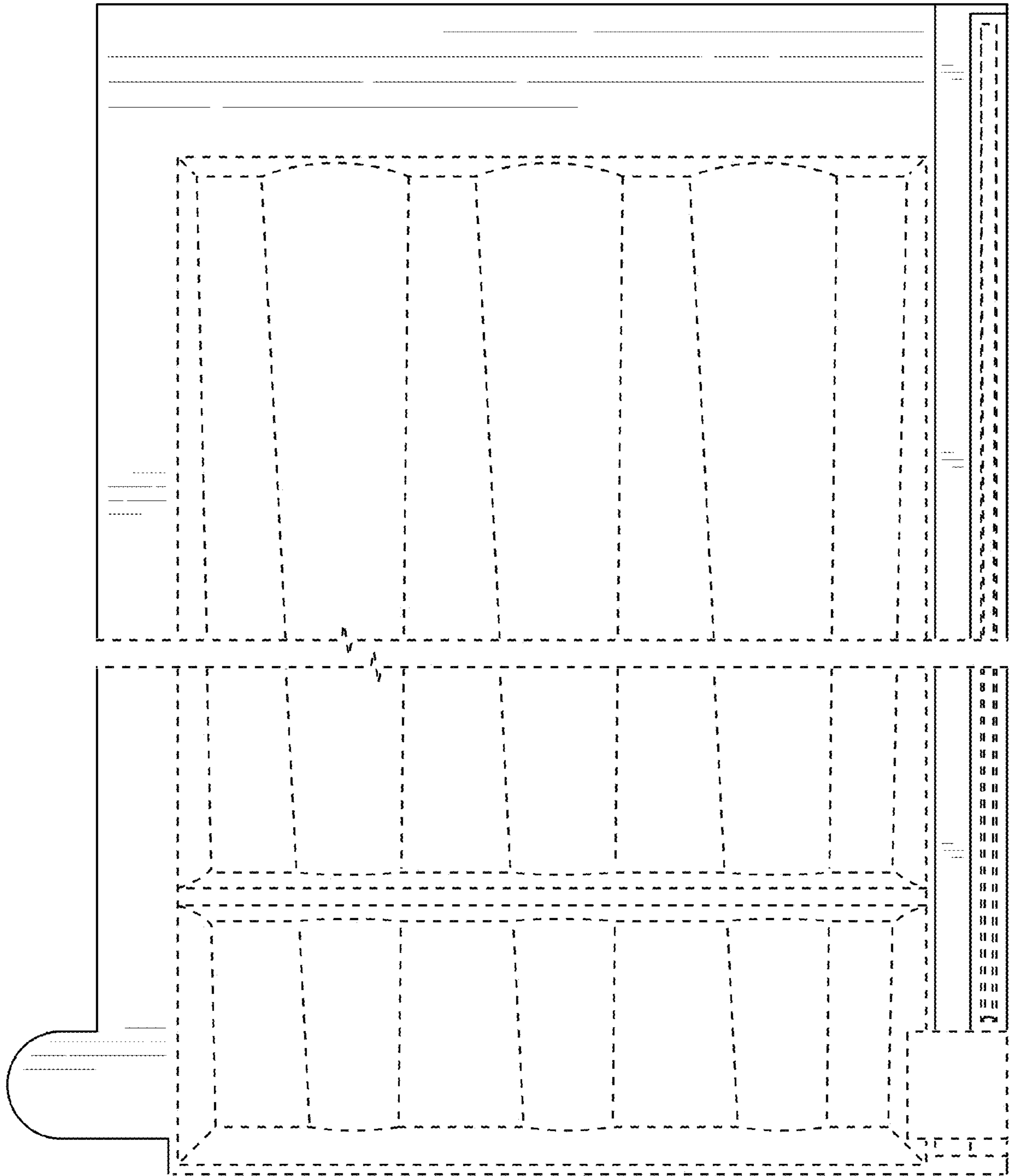


**FIG. 5**



**FIG. 6**





**FIG. 7**