



US0D1043983S

(12) **United States Design Patent** (10) **Patent No.:** **US D1,043,983 S**
Courtney (45) **Date of Patent:** **** Sep. 24, 2024**

(54) **INNER SHAFT FOR A TARGETING DEVICE FOR MINIMALLY INVASIVE SURGERY**

(71) Applicant: **Eminent Spine LLC**, Plano, TX (US)

(72) Inventor: **Stephen Courtney**, Plano, TX (US)

(73) Assignee: **Eminent Spine LLC**, Plano, TX (US)

(**) Term: **15 Years**

(21) Appl. No.: **29/834,853**

(22) Filed: **Apr. 14, 2022**

(51) **LOC (14) Cl.** **24-02**

(52) **U.S. Cl.**
USPC **D24/146**

(58) **Field of Classification Search**
USPC D24/146, 147, 152, 176, 180, 133, 144,
D24/170, 171; D8/82, 307, 310
CPC A61B 17/8802; A61B 17/3209; A61B
17/3421; A61B 17/7002; A61B 17/7074;
A61B 17/00234; A61B 17/3211; A61B
2017/32113; A61B 2050/3015; A61B
2017/00902

See application file for complete search history.

(56) **References Cited**

U.S. PATENT DOCUMENTS

4,469,109 A 9/1984 Mehl
D310,569 S * 9/1990 Broden D24/222
D342,315 S * 12/1993 Gordon D24/126
5,368,046 A 11/1994 Scarfone et al.
5,458,579 A 10/1995 Chodorow et al.
6,149,642 A * 11/2000 Gerhart A61B 17/00234
606/1
7,179,244 B2 2/2007 Smith et al.
7,399,294 B2 7/2008 Mickley
7,476,240 B2 1/2009 Raymond et al.

(Continued)

FOREIGN PATENT DOCUMENTS

CN 304451327 * 1/2018

OTHER PUBLICATIONS

Storz 12mm Morcellator Cutter Morcellator Blade, ebay.com, [online], [site visited Apr. 25, 2024], Available from internet, URL: https://www.ebay.com/itm/234142955780 (Year: 2024).*

(Continued)

Primary Examiner — Michael C Stout

Assistant Examiner — Thanh Luu Wong

(74) *Attorney, Agent, or Firm* — Scott Griggs; Griggs Bergen LLP

(57) **CLAIM**

The ornamental design for an inner shaft for a targeting device for minimally invasive surgery, as shown and described.

DESCRIPTION

FIG. 1 is a front perspective view of an inner shaft for a targeting device for minimally invasive surgery;

FIG. 2 is a rear perspective view of the inner shaft for a targeting device for minimally invasive surgery shown in FIG. 1;

FIG. 3 is a lateral elevation view of the inner shaft for a targeting device for minimally invasive surgery shown in FIG. 1;

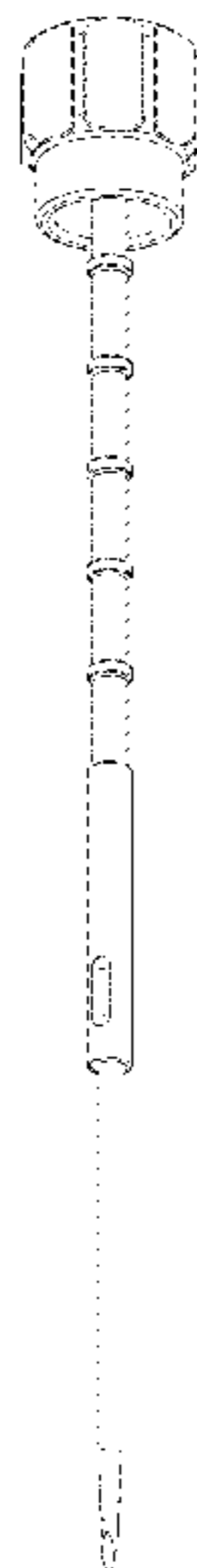
FIG. 4 is another lateral elevation view of the inner shaft for a targeting device for minimally invasive surgery shown in FIG. 1;

FIG. 5 is yet another lateral elevation view of the inner shaft for a targeting device for minimally invasive surgery as shown in FIG. 1;

FIG. 6 is a front elevation view of the inner shaft for a targeting device for minimally invasive surgery as shown in FIG. 1; and,

FIG. 7 is a rear elevation view of the inner shaft for a targeting device for minimally invasive surgery as shown in FIG. 1.

1 Claim, 1 Drawing Sheet



(56)

References Cited

U.S. PATENT DOCUMENTS

7,722,615 B2 * 5/2010 Botimer A61B 17/1666
606/81

8,221,358 B2 7/2012 McKay

8,758,383 B2 6/2014 Geist

9,545,248 B2 * 1/2017 Taylor A61B 17/02

D800,307 S * 10/2017 DeNeui D24/146

D828,560 S * 9/2018 Fujii D24/146

D879,951 S * 3/2020 Kucklick D24/112

11,116,553 B2 9/2021 Gephart et al.

D958,360 S * 7/2022 Vijayachandran D24/146

2003/0163062 A1 8/2003 Bauer

2004/0077973 A1 4/2004 Groenke et al.

2005/0080418 A1 4/2005 Simonson et al.

2005/0131421 A1 6/2005 Anderson et al.

2006/0121414 A1 * 6/2006 Euvrard A61C 1/141
433/126

2006/0155292 A1 * 7/2006 Krishnan A61B 17/8802
606/87

2010/0069843 A1 3/2010 Allee et al.

2016/0175114 A1 * 6/2016 Boyer B25B 5/101
606/99

2017/0035483 A1 2/2017 Crainich et al.

2017/0150999 A1 * 6/2017 Tipping A61B 17/7074

2022/0330974 A1 * 10/2022 Courtney A61B 17/7002

OTHER PUBLICATIONS

Outer Tube 200 MM, rgmed.com, [online], [site visited Apr. 25, 2024], Available from internet, URL: <https://rgmed.com/products/laparoscopy/modular-bipolar-coagulation-forceps-5-mm/outer-tube-200-mm/> (Year: 2024).*

Storz Rotatable Inner Sheath, endoscopysuperstore.com, [online], [site visited Apr. 25, 2024], Available from internet, URL: <https://www.endoscopysuperstore.com/products/storz-27050xb-rotatable-inner-sheath-28fr> (Year: 2024).*

Screen captures from YouTube video clip entitled “Intermediate Nail surgical animation | Gamma4 Hip Fracture Nailing System,” uploaded on Jan. 3, 2024 by user “Stryker’s clinical solutions”. Retrieved from Internet <<https://www.youtube.com/watch?v=L1a70cForxE>> (Year: 2024).*

* cited by examiner

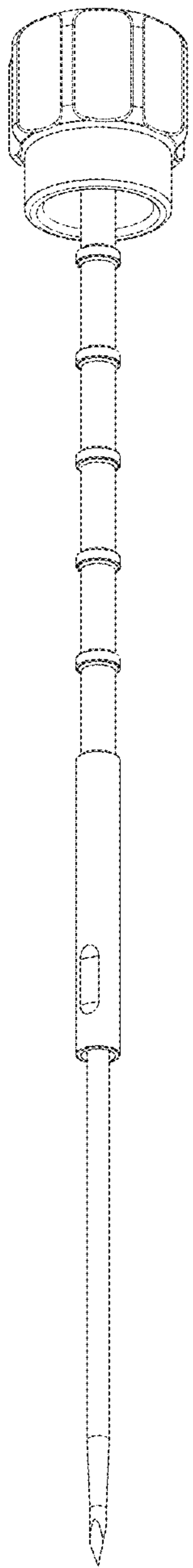


Fig.1

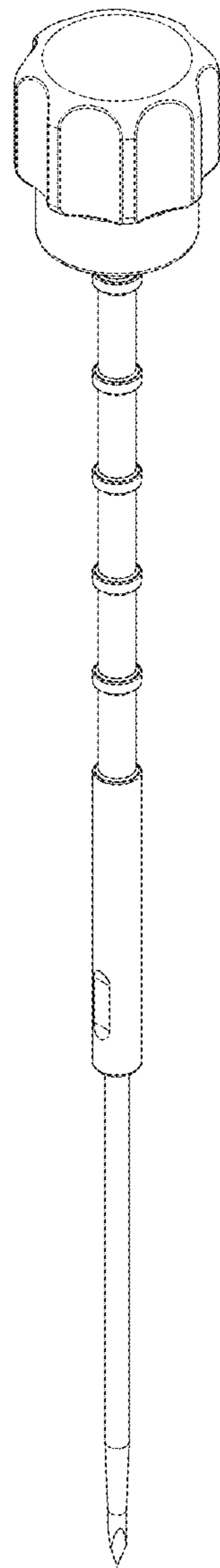


Fig.2

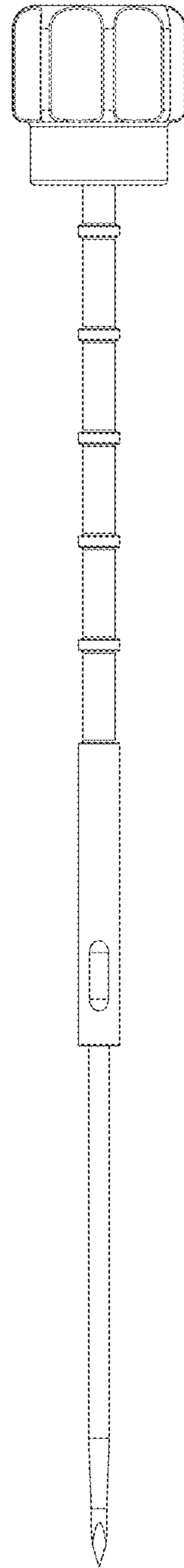


Fig.3

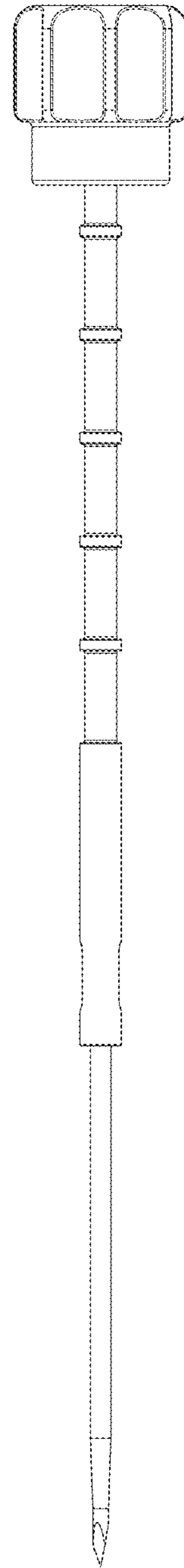


Fig.4

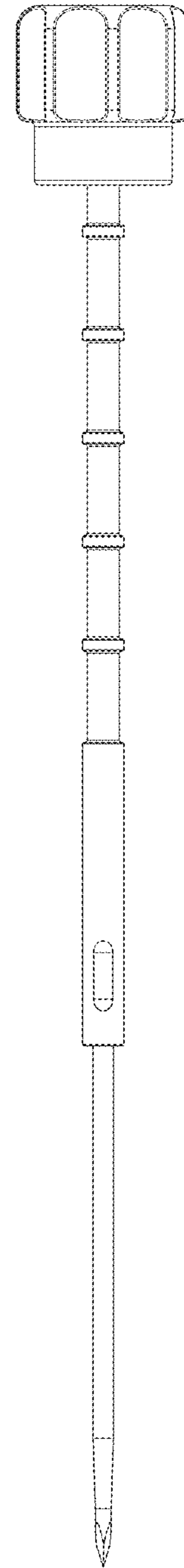


Fig.5

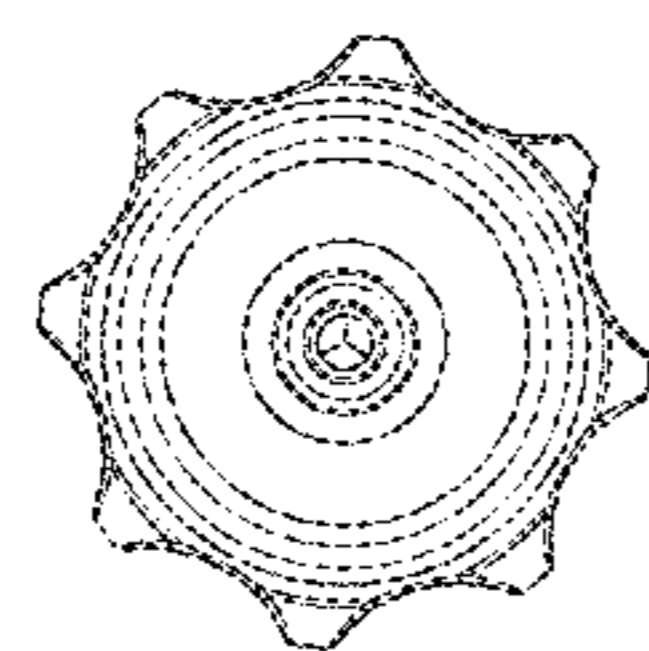


Fig.6

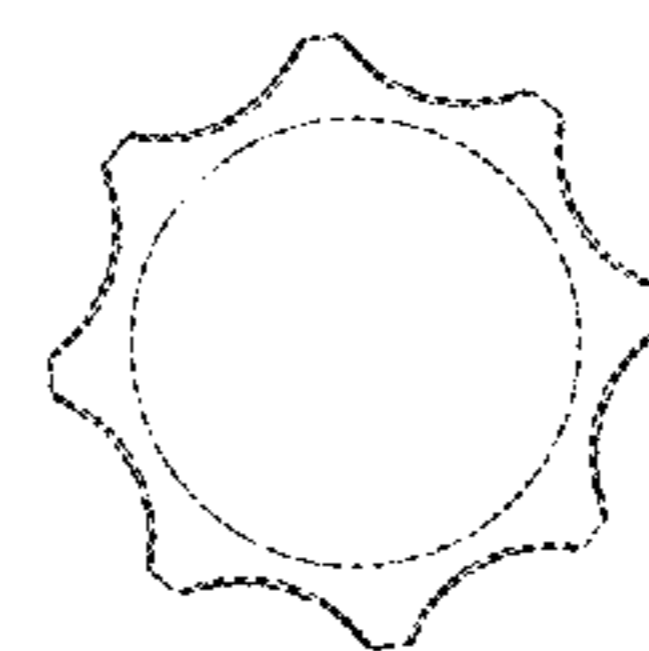


Fig.7