



US0D1043962S

(12) **United States Design Patent**
Dashiell

(10) **Patent No.:** **US D1,043,962 S**

(45) **Date of Patent:** **** Sep. 24, 2024**

(54) **COMBINATION PEAK FLOW METER,
INHALER, AND NEBULIZER**

(71) Applicant: **Charles Dashiell**, Glen Burnie, MD
(US)

(72) Inventor: **Charles Dashiell**, Glen Burnie, MD
(US)

(**) Term: **15 Years**

(21) Appl. No.: **29/746,444**

(22) Filed: **Aug. 13, 2020**

Related U.S. Application Data

(63) Continuation-in-part of application No. 15/687,508,
filed on Aug. 27, 2017, now abandoned.

(51) **LOC (14) Cl.** **24-04**

(52) **U.S. Cl.**
USPC **D24/110**

(58) **Field of Classification Search**
USPC D24/110, 110.5, 110.6, 127, 129;
D10/96

CPC A61B 5/087; A61B 5/0871; A61B 5/091;
A61B 5/097; A61M 11/02; A61M 11/06;
A61M 15/0086; A61M 15/009

See application file for complete search history.

(56) **References Cited**

U.S. PATENT DOCUMENTS

- 4,150,071 A * 4/1979 Pecina A61M 15/00
261/78.2
- 5,297,543 A * 3/1994 Larson A61M 15/0086
128/200.14
- D362,500 S * 9/1995 Cook D24/110
- 6,358,058 B1 * 3/2002 Strupat A61M 15/0065
434/262
- 7,418,962 B1 * 9/2008 Rao A61M 15/0018
128/200.14

- 8,051,854 B2 * 11/2011 Faram A61M 16/0051
128/200.14
- 8,522,618 B1 * 9/2013 Ratner A61M 16/049
600/487
- 9,050,434 B2 * 6/2015 Faram A61M 16/201
- D867,913 S * 11/2019 Hietala D24/129
- 2006/0021613 A1 * 2/2006 Overlander A61M 16/08
128/200.14
- 2019/0059811 A1 * 2/2019 Dashiell A61M 11/00

(Continued)

FOREIGN PATENT DOCUMENTS

IN 367180-001 * 12/2022

Primary Examiner — Daniel J Domino

Assistant Examiner — Lee D. Starr

(57) **CLAIM**

The ornamental design for a combination peak flow meter, inhaler, and nebulizer, as shown and described.

DESCRIPTION

FIG. 1 is a top-front-left perspective view of a combination peak flow meter, inhaler, and nebulizer showing my new design;

FIG. 2 is a bottom-rear-right perspective view thereof;

FIG. 3 is a front elevational view thereof;

FIG. 4 is a rear elevational view thereof;

FIG. 5 is a top plan view thereof;

FIG. 6 is a bottom plan view thereof;

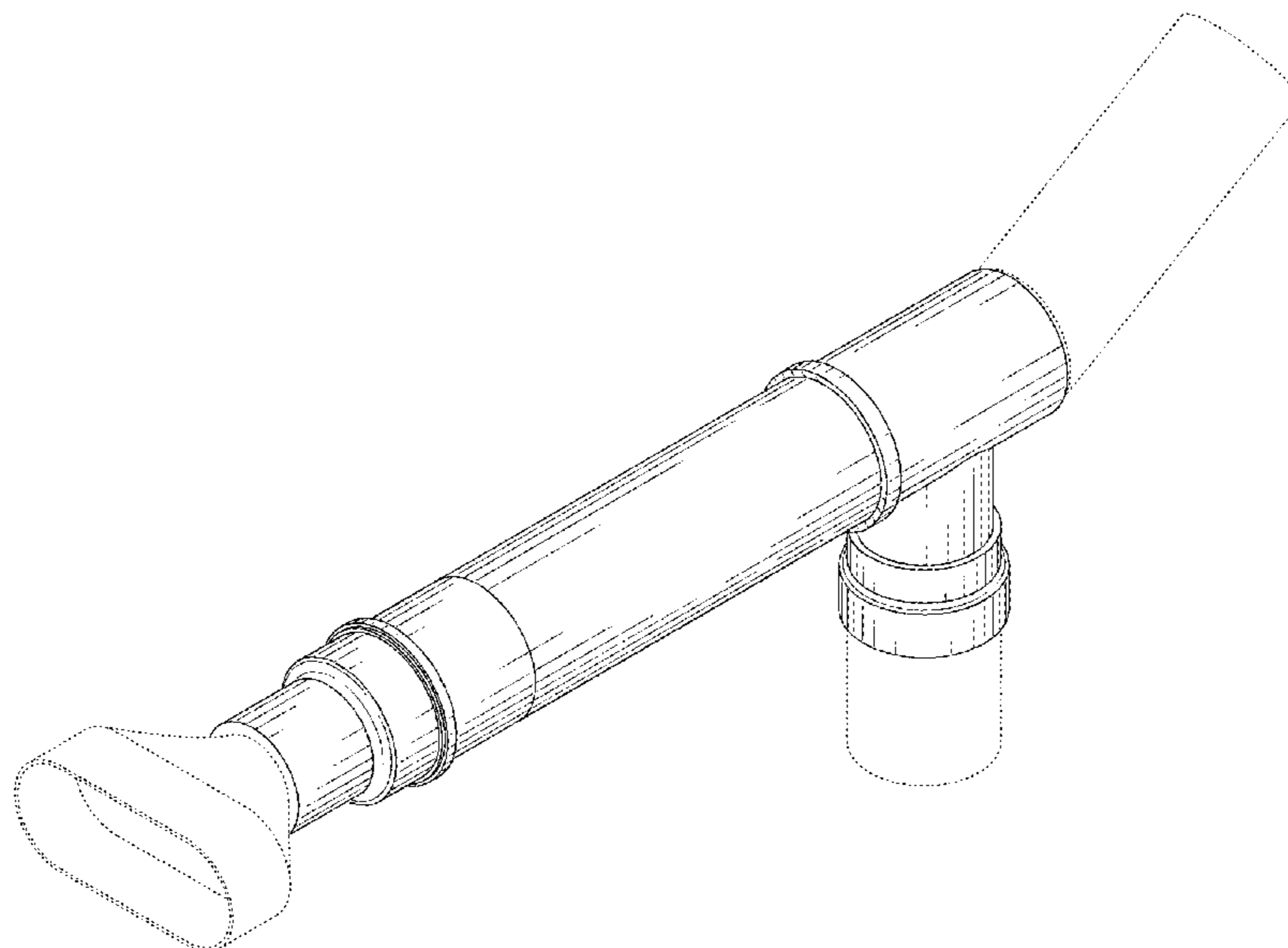
FIG. 7 is a right elevational view thereof;

FIG. 8 is a left elevational view thereof; and,

FIG. 9 is a right elevational view thereof, showing the combination peak flow meter, inhaler, and nebulizer with a slider in an alternate position.

The broken line showing of markings in FIGS. 2, 5, 7, and 9 depict portions of the article that form no part of the claimed design. All other broken lines depict environmental subject matter that forms no part of the claimed design.

1 Claim, 9 Drawing Sheets



(56)

References Cited

U.S. PATENT DOCUMENTS

2019/0076612 A1* 3/2019 Amaral A61M 16/10
2019/0209792 A1* 7/2019 Nicoll A61M 15/0018

* cited by examiner

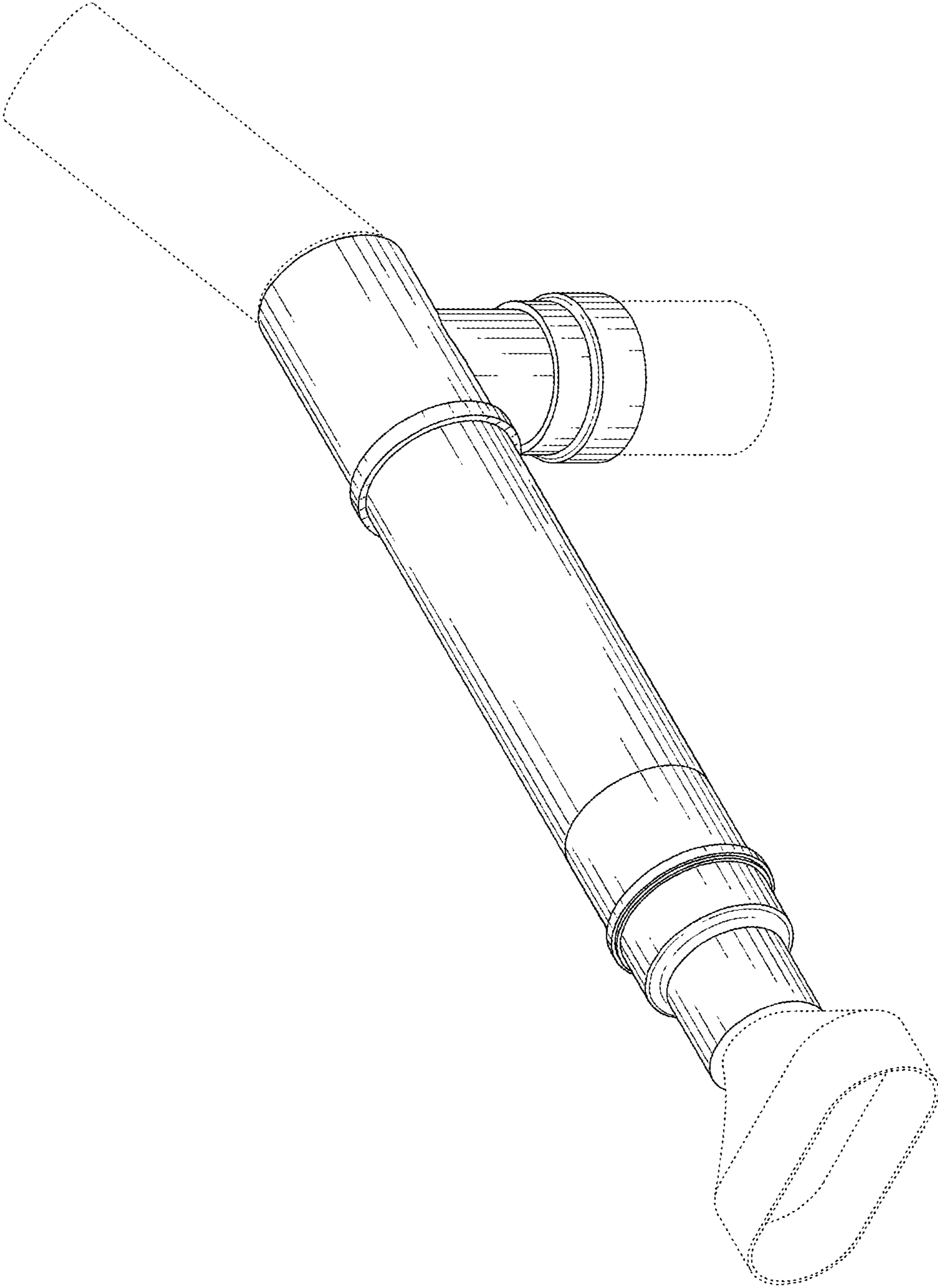


FIG. 1

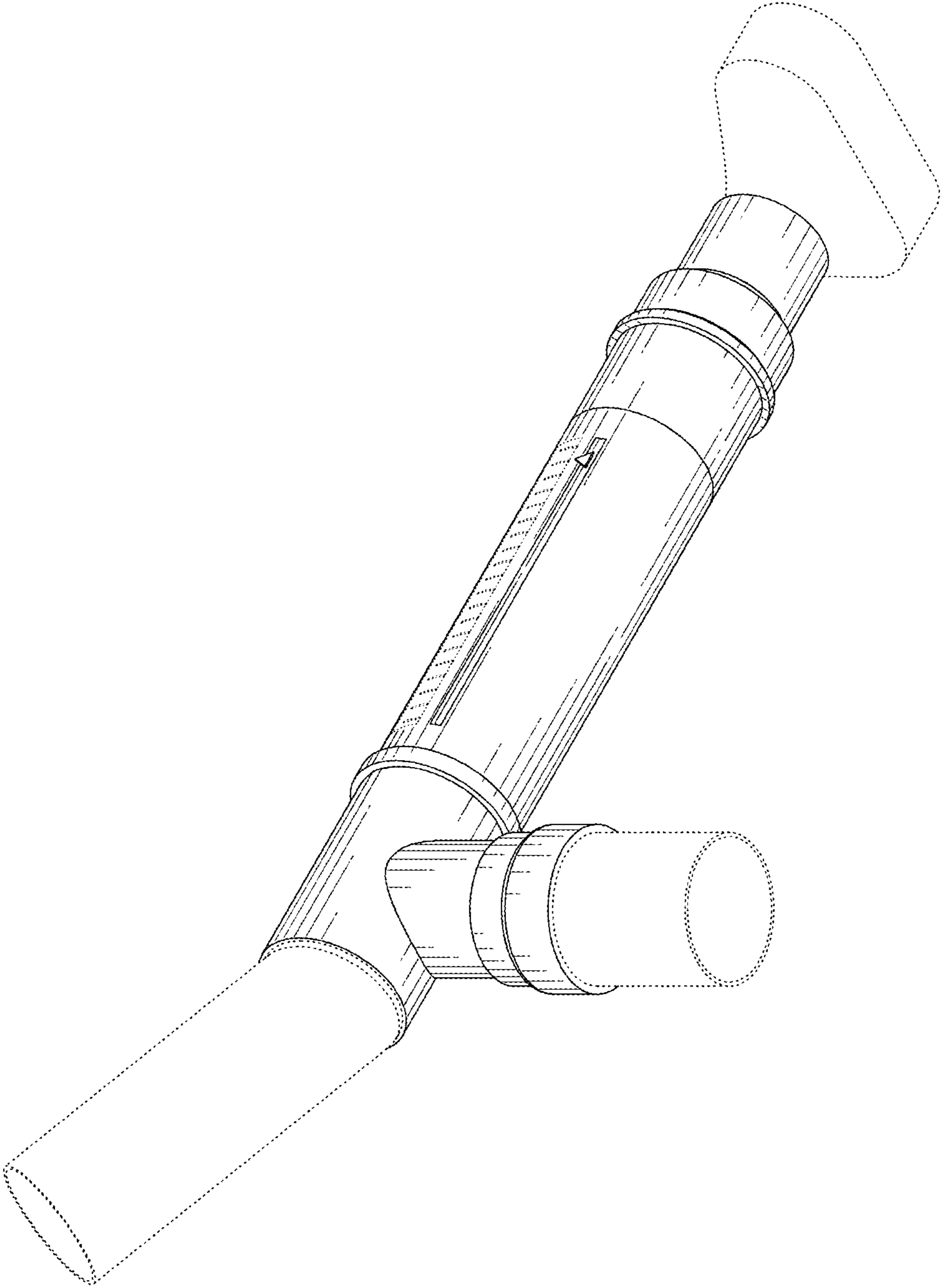


FIG. 2

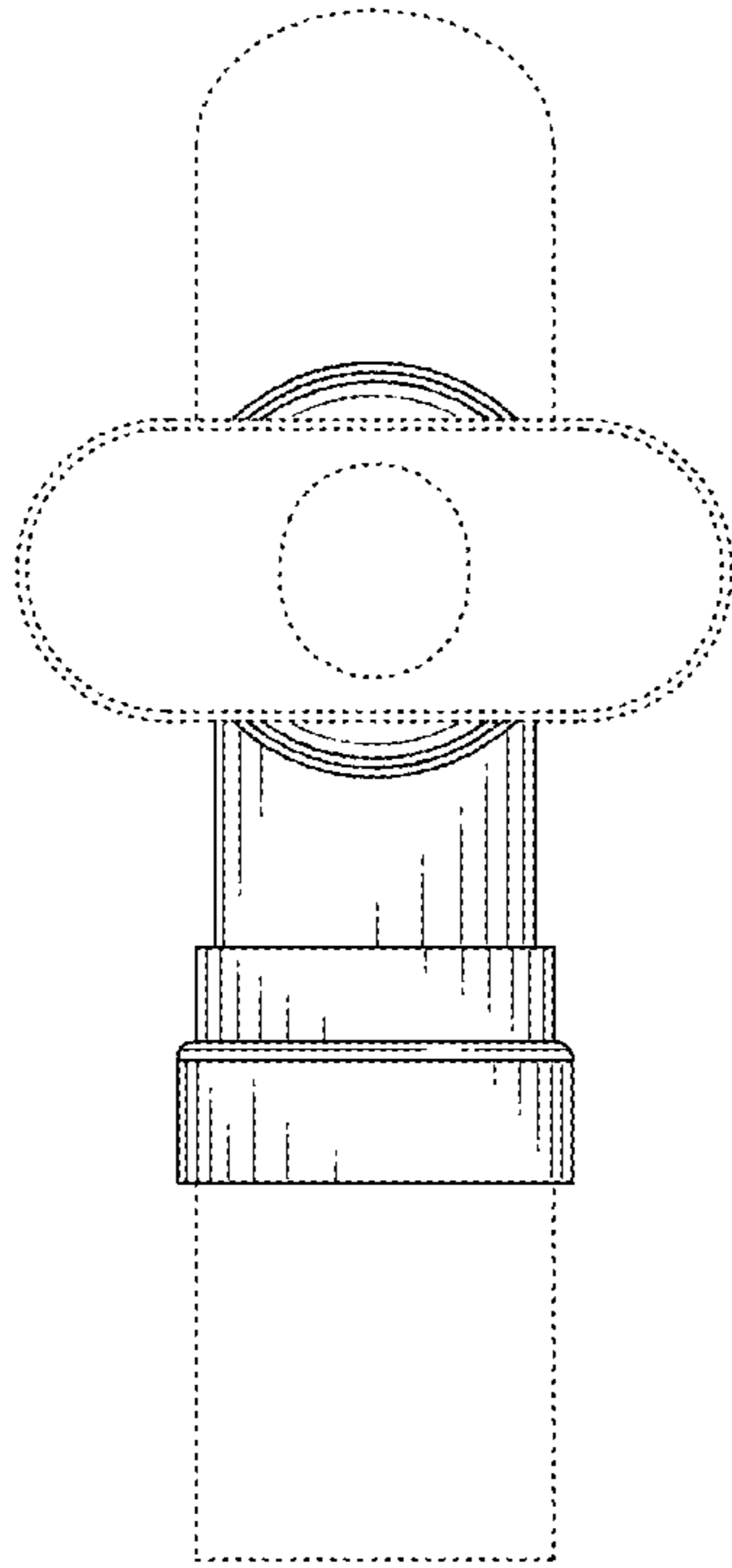


FIG. 3

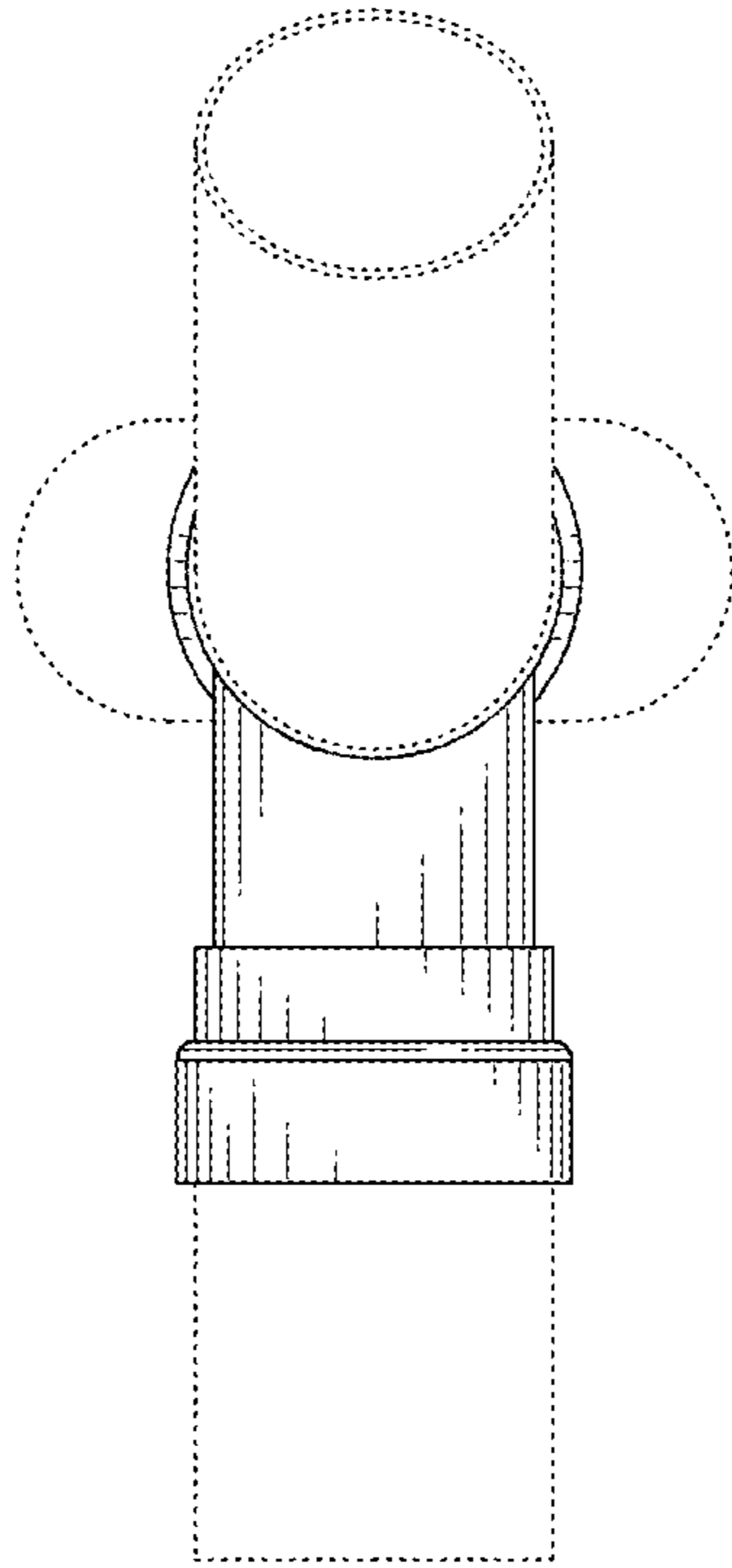


FIG. 4

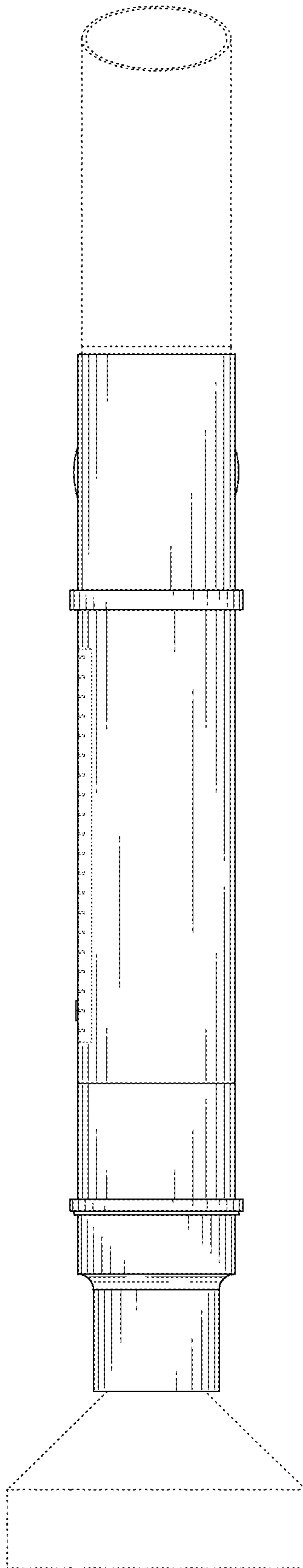


FIG. 5

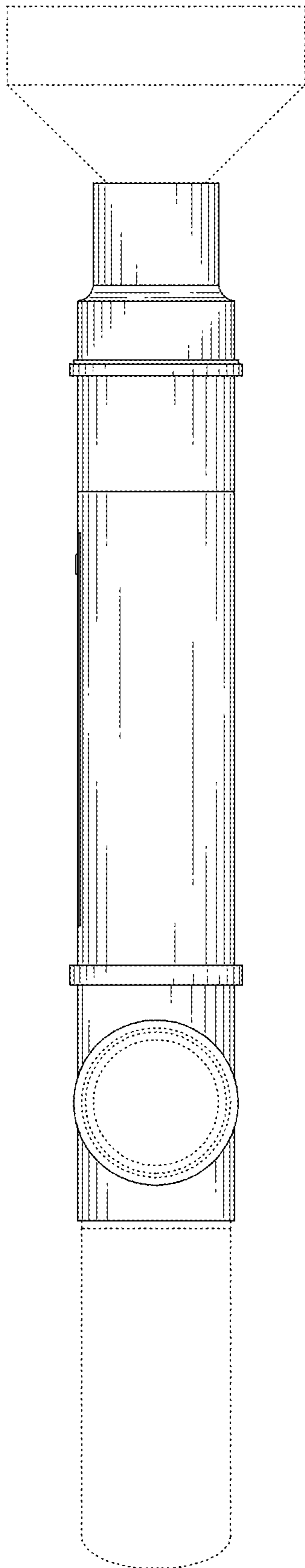


FIG. 6

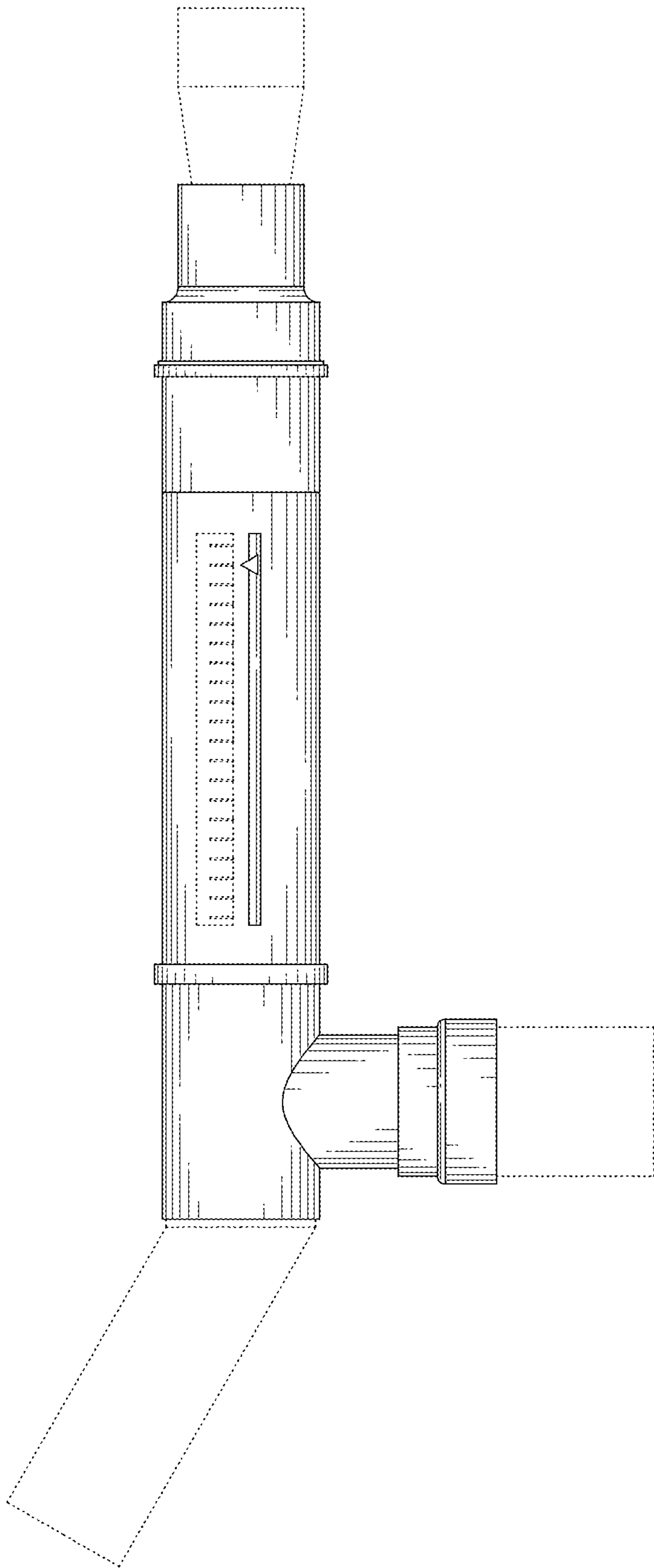


FIG. 7

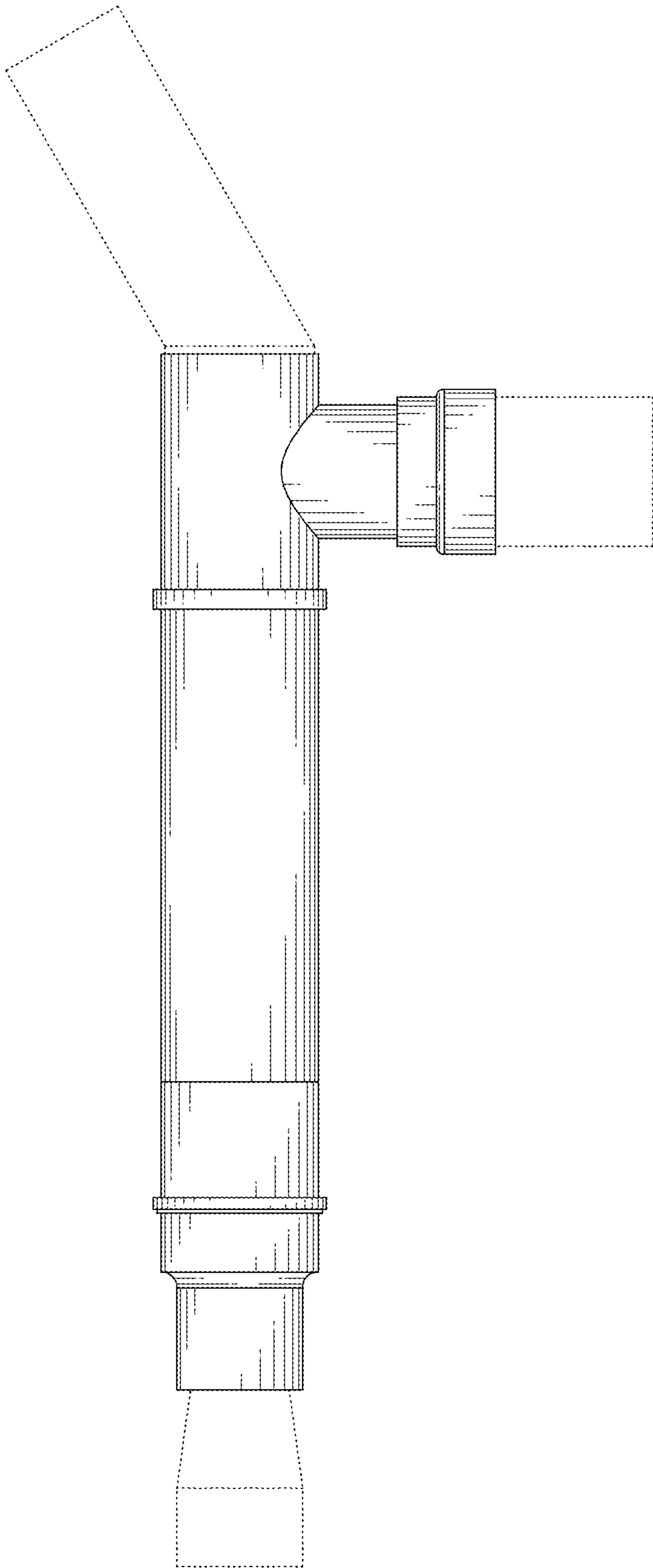


FIG. 8

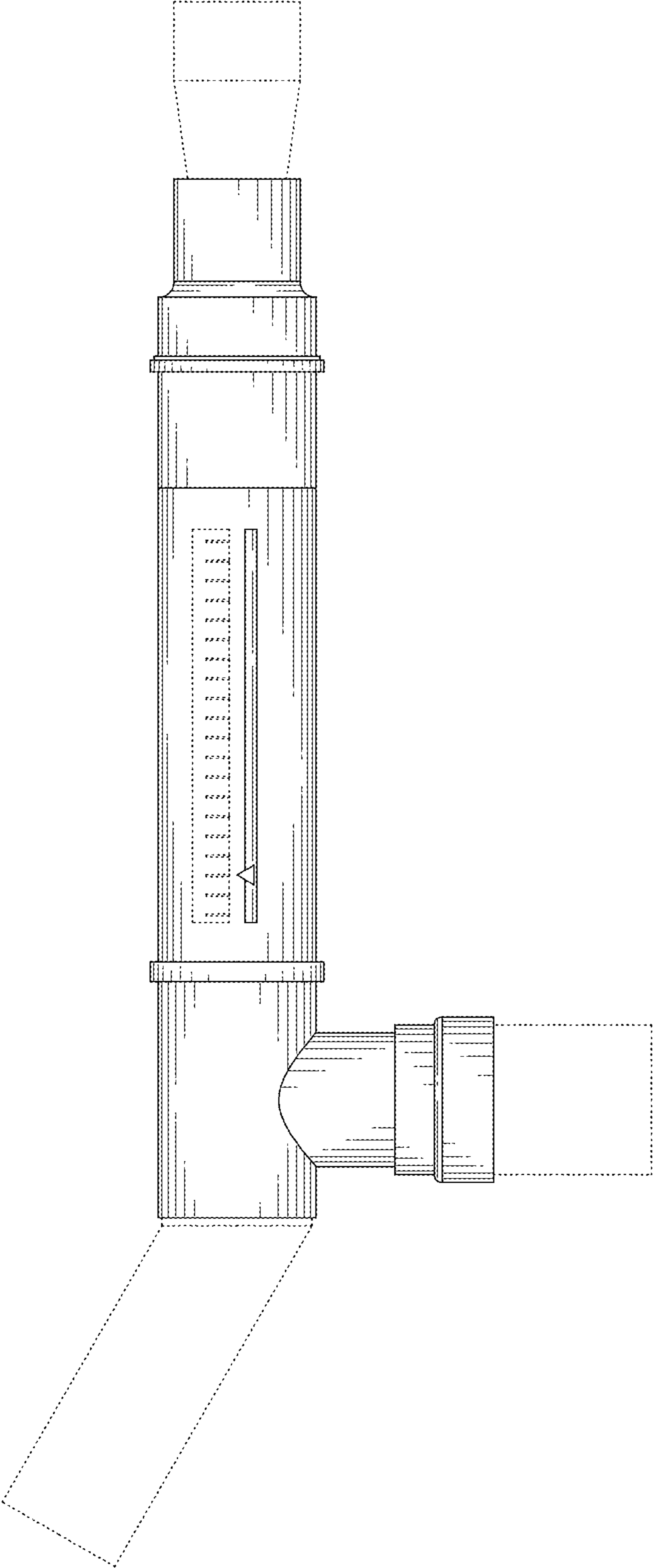


FIG. 9