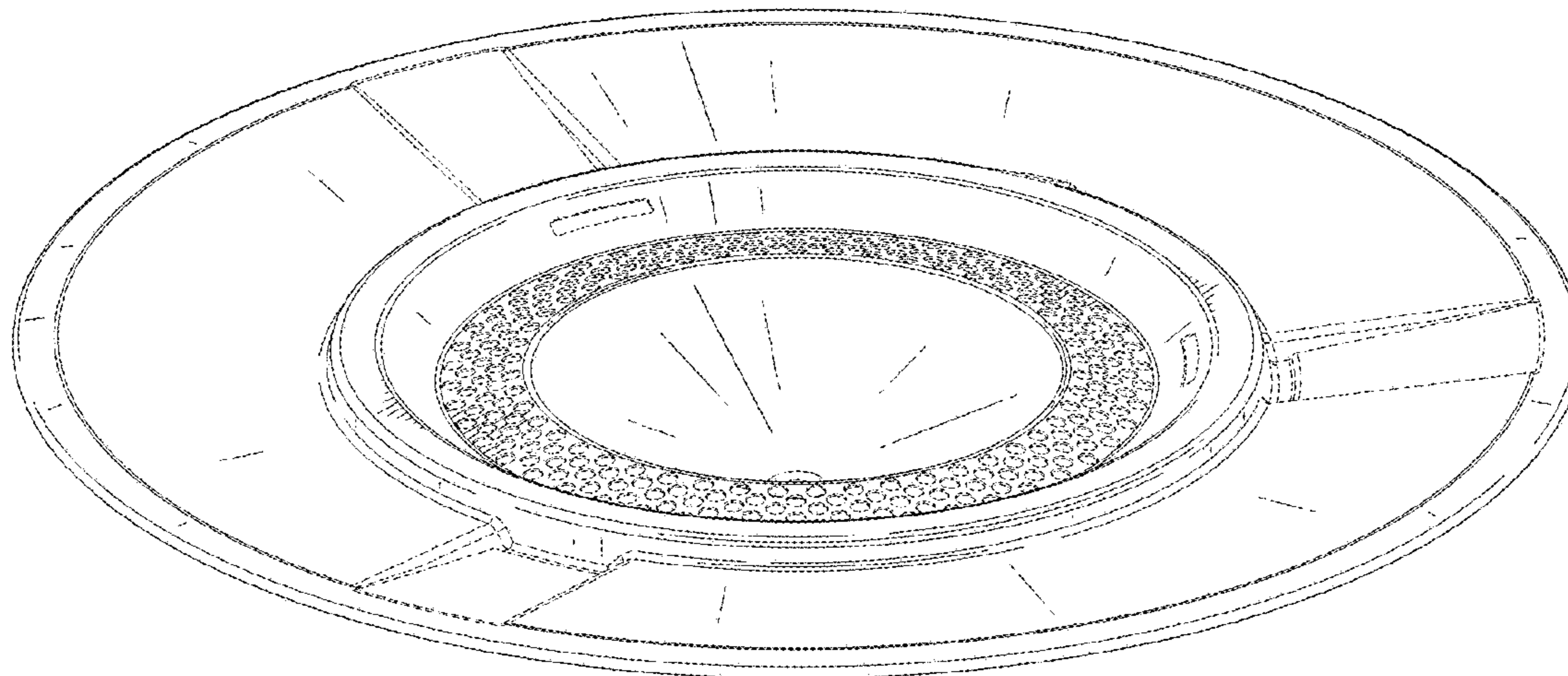




US0D1043933S

(12) **United States Design Patent** (10) **Patent No.:** **US D1,043,933 S**
Weilert et al. (45) **Date of Patent:** **** Sep. 24, 2024**

- (54) **DEVICE FOR FIRE PIT** 3,691,996 A * 9/1972 **Bowell** A01K 31/20
119/307
- (71) Applicant: **Solo Brands, LLC**, Grapevine, TX (US) 3,869,987 A 3/1975 **Berchielli**
D245,623 S 8/1977 **Jenkins**
4,509,776 A 4/1985 **Yoshida et al.**
4,600,219 A 7/1986 **Yoshida et al.**
- (72) Inventors: **Jeffrey R. Weilert**, Southlake, TX (US); **Alexander K. Maghsadi**, Lewisville, TX (US) 5,375,801 A 12/1994 **Porter**
5,431,091 A 7/1995 **Couture**
D382,633 S * 8/1997 **Clemmer** D23/314
5,797,386 A * 8/1998 **Orr** A47J 37/0763
126/25 R
- (73) Assignee: **Solo Brands, LLC**, Grapevine, TX (US) 6,073,642 A 6/2000 **Huang**
6,102,031 A 8/2000 **Waters**
6,213,006 B1 4/2001 **Reardon et al.**
6,487,977 B1 12/2002 **Williams et al.**
6,578,568 B1 6/2003 **Dufort et al.**
7,533,487 B1 5/2009 **Mantkowski et al.**
7,828,002 B2 11/2010 **Boldsen**
D637,446 S 5/2011 **McMillian**
8,327,834 B1 12/2012 **Judge et al.**
8,770,186 B2 7/2014 **Clue**
9,814,353 B2 11/2017 **Denham et al.**
10,222,092 B1 * 3/2019 **Traeger** F24B 3/00
D961,747 S * 8/2022 **Strange** D23/343
- (**) Term: **15 Years**
- (21) Appl. No.: **29/815,373**
- (22) Filed: **Nov. 12, 2021**
- (51) **LOC (14) Cl.** **23-03**
- (52) **U.S. Cl.**
USPC **D23/341**
- (58) **Field of Classification Search**
USPC D23/314, 317, 329, 332, 334, 335, 336, D23/337, 338, 339, 340, 342, 343, 341, D23/347, 386, 388; D7/334
CPC F24C 7/105; F24C 1/10; F24C 3/04; F24C 7/065; F24C 1/16; F24C 1/08; F23D 14/12; F24H 3/00; F24B 13/04; F24B 1/1957
See application file for complete search history.
- (56) **References Cited**
- U.S. PATENT DOCUMENTS
- X913068 2/1909 **Hoor**
1,391,291 A * 9/1921 **Anderson** F24C 15/10
126/215
1,725,974 A 8/1929 **Brautigam**
D124,771 S * 1/1941 **Alder** D23/334
3,040,651 A 6/1962 **Nolte, Jr.**
3,177,344 A * 4/1965 **Morey** A47J 27/004
219/535
3,266,821 A 8/1966 **Joseph**
3,386,433 A * 6/1968 **Copeland** A47J 37/04
126/41 R
3,503,379 A 3/1970 **Kuhn et al.**
- 2004/0154551 A1 * 8/2004 **Brice** A01K 31/19
119/320
2004/0226551 A1 * 11/2004 **Duphily** F23D 14/46
126/92 B
2008/0196708 A1 8/2008 **Lee**
2008/0272107 A1 11/2008 **Maitland et al.**
2011/0253876 A1 10/2011 **Odell et al.**
2013/0239943 A1 9/2013 **James**
2014/0220293 A1 8/2014 **LaVigna et al.**
2014/0238378 A1 * 8/2014 **Scott** F24B 1/181
126/55
2015/0196163 A1 7/2015 **Robles**
2016/0230985 A1 * 8/2016 **Home** F23D 14/145
2017/0251875 A1 9/2017 **Robinson**
2018/0156466 A1 6/2018 **Spalding et al.**
2021/0404663 A1 * 12/2021 **Strange** A47J 37/0704
2022/0196247 A1 * 6/2022 **Ressler** F24B 3/00
2022/0364732 A1 * 11/2022 **Ressler** F24B 1/192
2023/0151967 A1 * 5/2023 **Weilert** F24B 1/1957
126/59
- FOREIGN PATENT DOCUMENTS
- CN 2274728 Y 2/1998
CN 217685133 U 10/2022
EP 0976979 A1 2/2000
KR 200419051 Y1 6/2006



KR	101847775	B1	4/2018
WO	2005087036	A1	9/2005
WO	2006118395	A1	11/2006

OTHER PUBLICATIONS

Korean Intellectual Property Office, International Search Report and Written Opinion of the International Searching Authority, PCT/US2022/049496, Mar. 15, 2023, 10 pages.

The Vevor Store, Vevor Fire Pit Heat Deflector 24x24x13 Inch, Stainless Steel Fire Pit Cover 1.5mm Thick, Square Fire Pit Burner Cover to Push Heat Down and Out, Fire Pit Lid with Foldable Legs and Carrying Handle, 10 pages, https://www.amazon.com/VEVOR-Deflector-Stainless-Foldable-Carrying/dp/B096S17YXD/ref=sr_1_5?dchild=1&keywords=fire+pit+heat+deflector&qid=1634764012&sr=8-5, Nov. 11, 2021.

Heat Warden, Heat Warden USA Heat Deflector (American Made) to Push Heat Down and Out to Warm Friends and Family. Plus, Deflects Heat from Your Patio Roof, 9 pages, https://www.amazon.com/Heat-Warden-Deflector-Friends-Family/dp/B07LC7L3FN/ref=sr_1_3?dchild=1&keywords=fire+pit+heat+deflector&qid=1634764012&sr=8-3, Nov. 11, 2021.

Fire Pits Direct.com, The Outdoor Plus OPT-RCB17HRF Black Steel Cone Fire Pit Cover with Heat Reflector, 17-Inch by the Outdoor Plus, 4 pages, https://www.firepitsdirect.com/the-outdoore-plus-opt-rcb17hrf-black-steel-cone-fire-pit-cover-with-heat-reflector-17-inch.html?gclid=CjwKCAjw_L6LBhBbEiwA4c46urVjeluD44ziAmsBHzdGEWSs8tEajDpRQIFb7bP4Nr06ggYZ1YCusBoChtsQAvD_BwE, Nov. 11, 2021.

https://www.etsy.com/listing/668402735/fire-pit-heat-deflector-39diameter-cover?gpla=1&gao=1&&utm_source=google&utm_medium=cpc&utm_campaign=shopping_us_a-home_and_living-outdoor_and_garden-fire_pits-fire_pits&utm_custom1=_k_CjwKCAjw_L6LBhBbEiwA4c46us5KgiLVW_2newp4DcQ1GIXG39bXeqi0ebmPftbCPSZglvf8xzqaWRoC3wsQAvD_BwE_k_&utm_content=go_12570712527_123240178047_507395012356_pla-308555950715_c_668402735_106762491&utm_custom2=12570712527&gclid=CjwKCAjw_L6LBhBbEiwA4c46us5KgiLVW_2newp4DcQ1GIXG39bXeqi0ebmPftbCPSZglvf8xzqaWRoC3wsQAvD_BwE.

* cited by examiner

Primary Examiner — Ania Aman
(74) Attorney, Agent, or Firm — HAYNES AND BOONE, LLP

(57) CLAIM

The ornamental design for a device for fire pit, as shown and described.

DESCRIPTION

FIG. 1 is a top perspective view of a device for fire pit showing our new design according to a first embodiment;

FIG. 2 is a top view of the first embodiment;
FIG. 3 is a bottom view of the first embodiment;
FIG. 4 is a front view of the first embodiment;
FIG. 5 is a rear view of the first embodiment;
FIG. 6 is a left side view of the first embodiment;
FIG. 7 is a right side view of the first embodiment; and
FIG. 8 is a bottom perspective view of the first embodiment.
FIG. 9 is a top perspective view of the device for fire pit showing our new design according to a second embodiment, the second embodiment being identical to the first embodiment except that the second embodiment has an indeterminate diameter as indicated in FIG. 9.

FIG. 10 is a view similar to FIG. 4 but with additional broken lines; and,

FIG. 11 is a view similar to FIG. 4 but with additional broken lines.

The broken lines shown in FIGS. 1-11 illustrate unclaimed portions of the device for fire pit and form no part of the claimed design.

The surface shadings and contour lines shown in FIGS. 1-11 represent the three-dimensional character and contour of the device for fire pit.

In FIG. 9, the second embodiment of the device for fire pit is shown with break lines to indicate the indeterminate diameter in FIG. 9; the appearance of any portion of the second embodiment of the device for fire pit between the break lines forms no part of the claimed design.

The additional broken lines in FIG. 10 show unclaimed environmental structure that forms no part of the claimed design, which unclaimed environmental structure includes a fire pit and legs for supporting the device for fire pit on the fire pit.

Similarly, the additional broken lines in FIG. 11 show unclaimed environmental structure that forms no part of the claimed design, which unclaimed environmental structure includes a fire pit and a stand for supporting the device for fire pit on the fire pit.

The device for fire pit illustrated in FIGS. 1-11 may be, for example, a heat deflector.

1 Claim, 9 Drawing Sheets

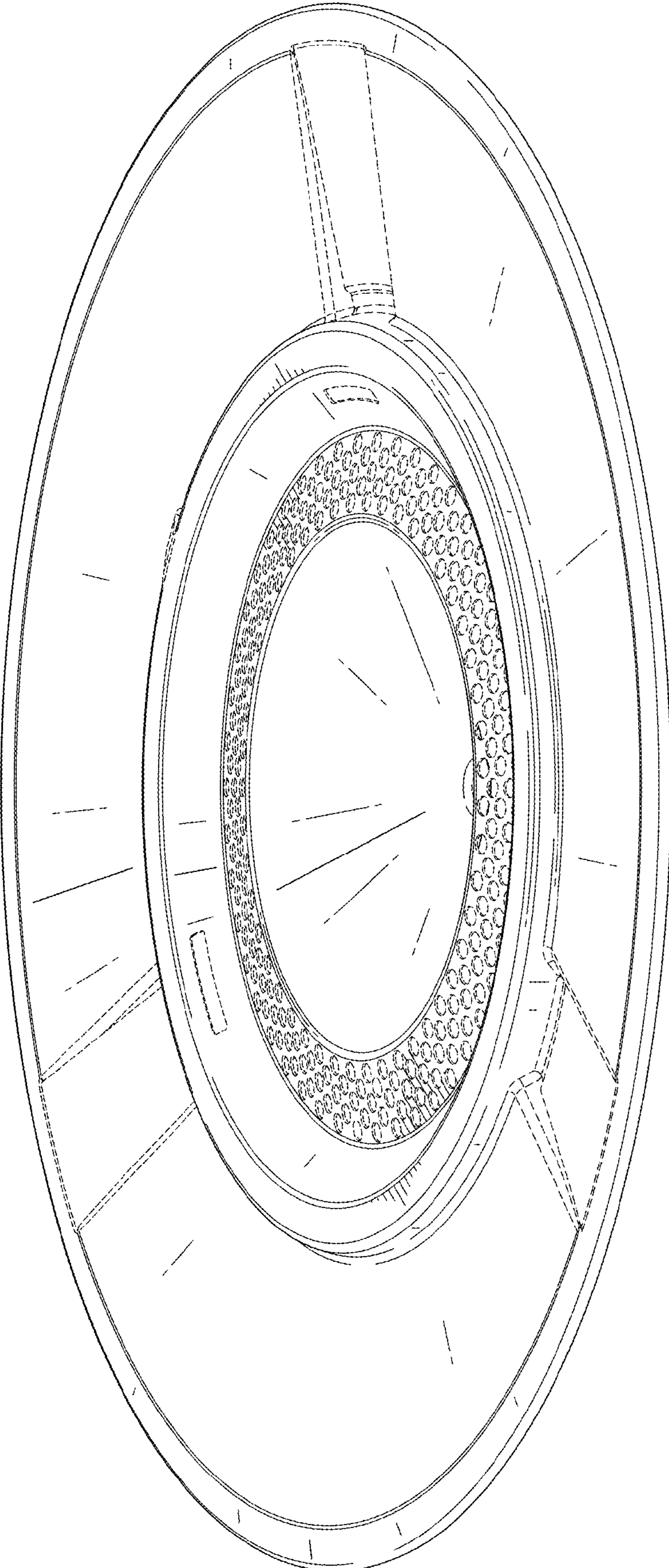


FIG. 1

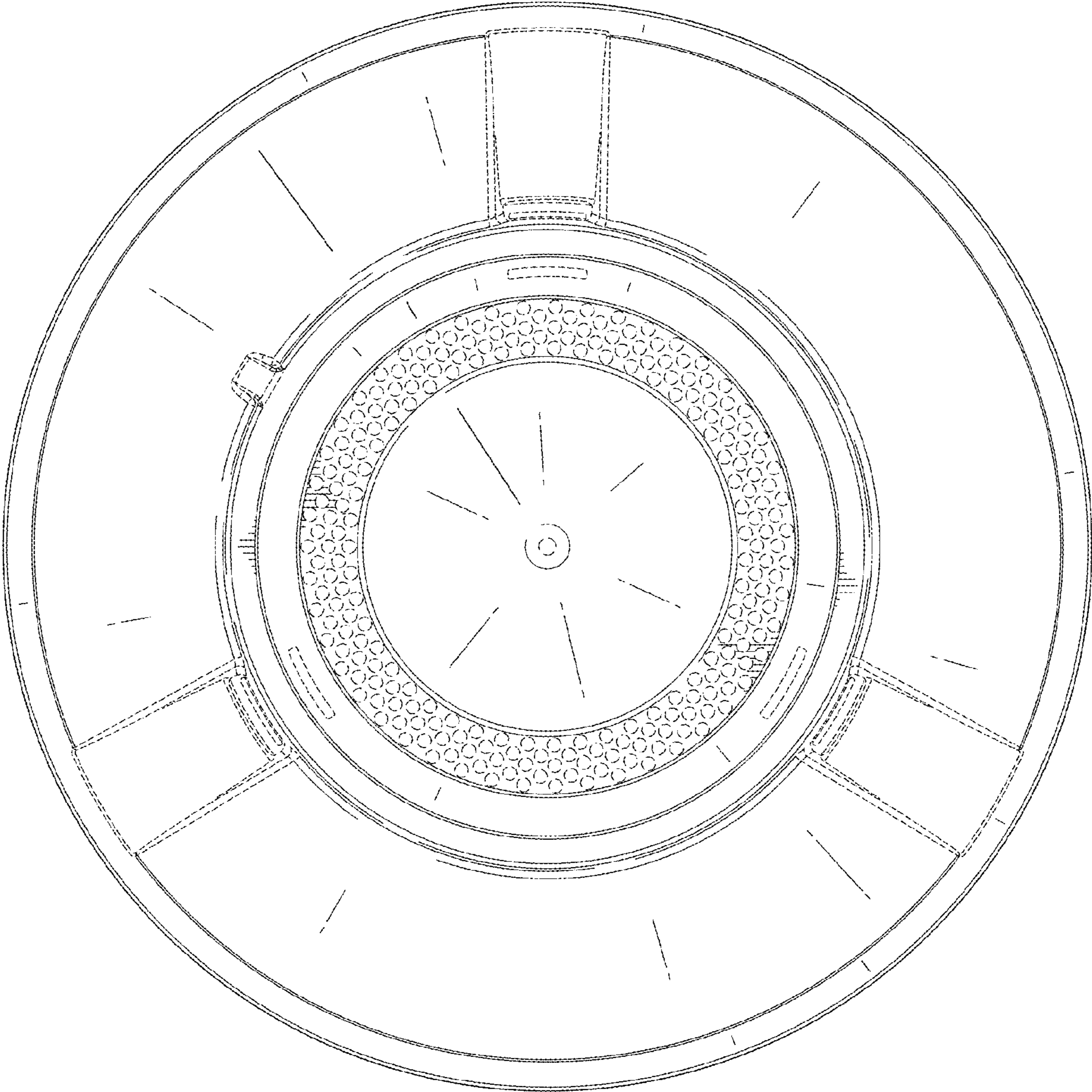


FIG. 2

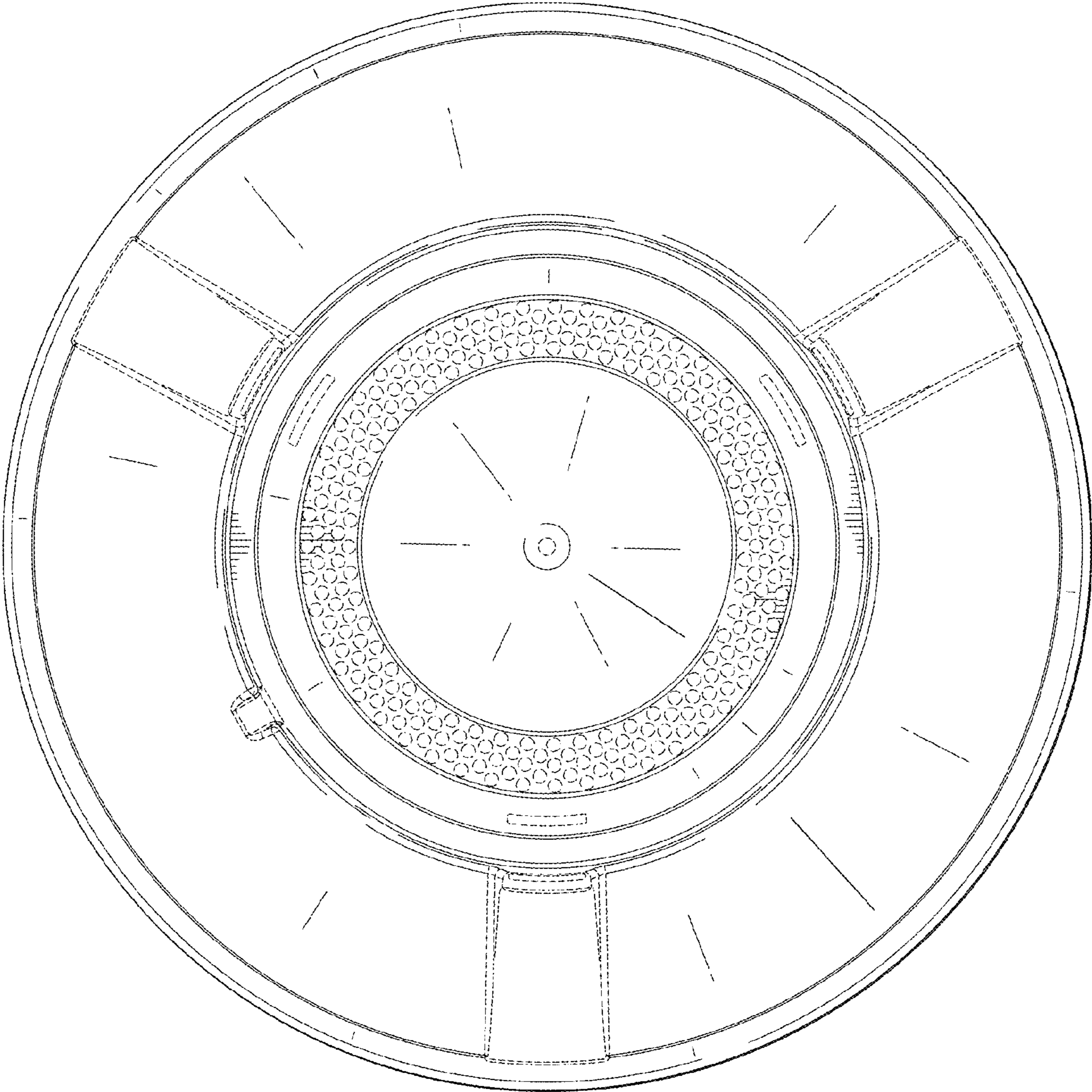


FIG. 3

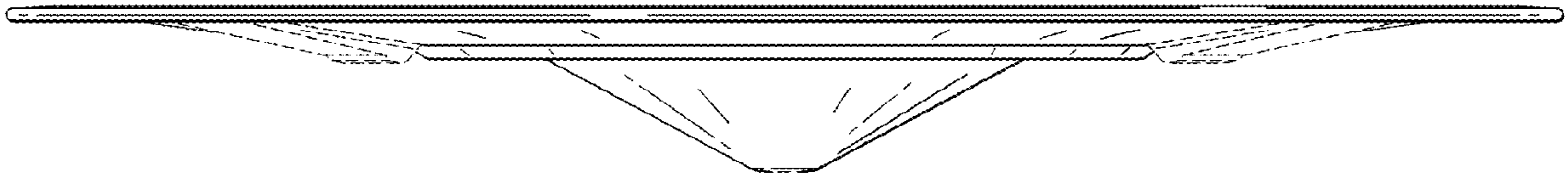


FIG. 4

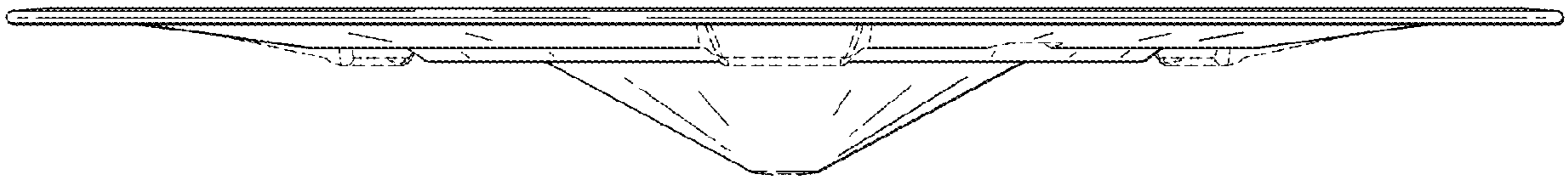


FIG. 5

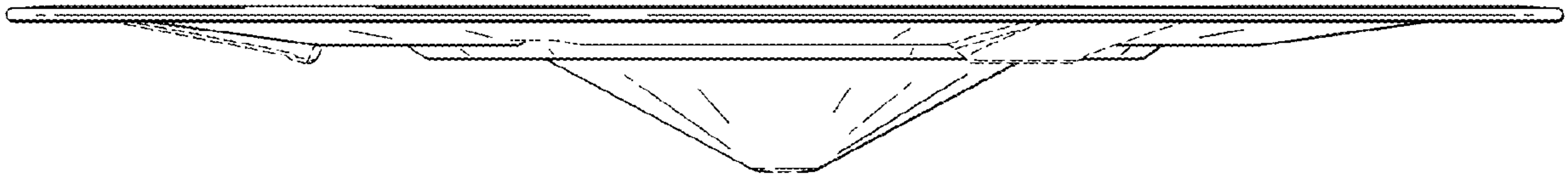


FIG. 6

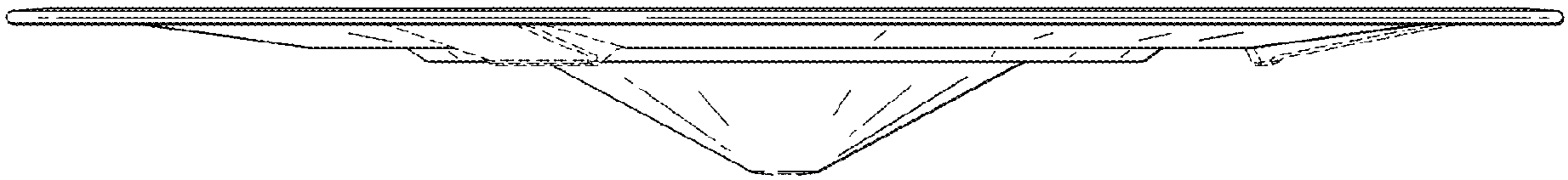


FIG. 7

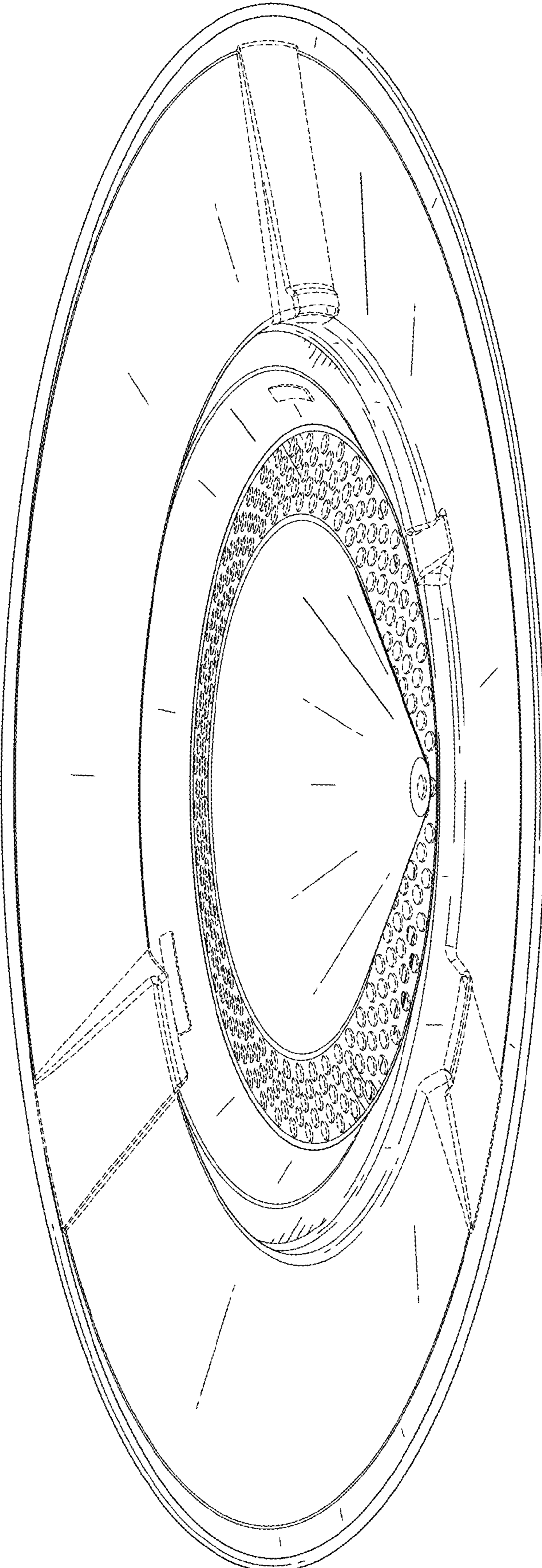


FIG. 8

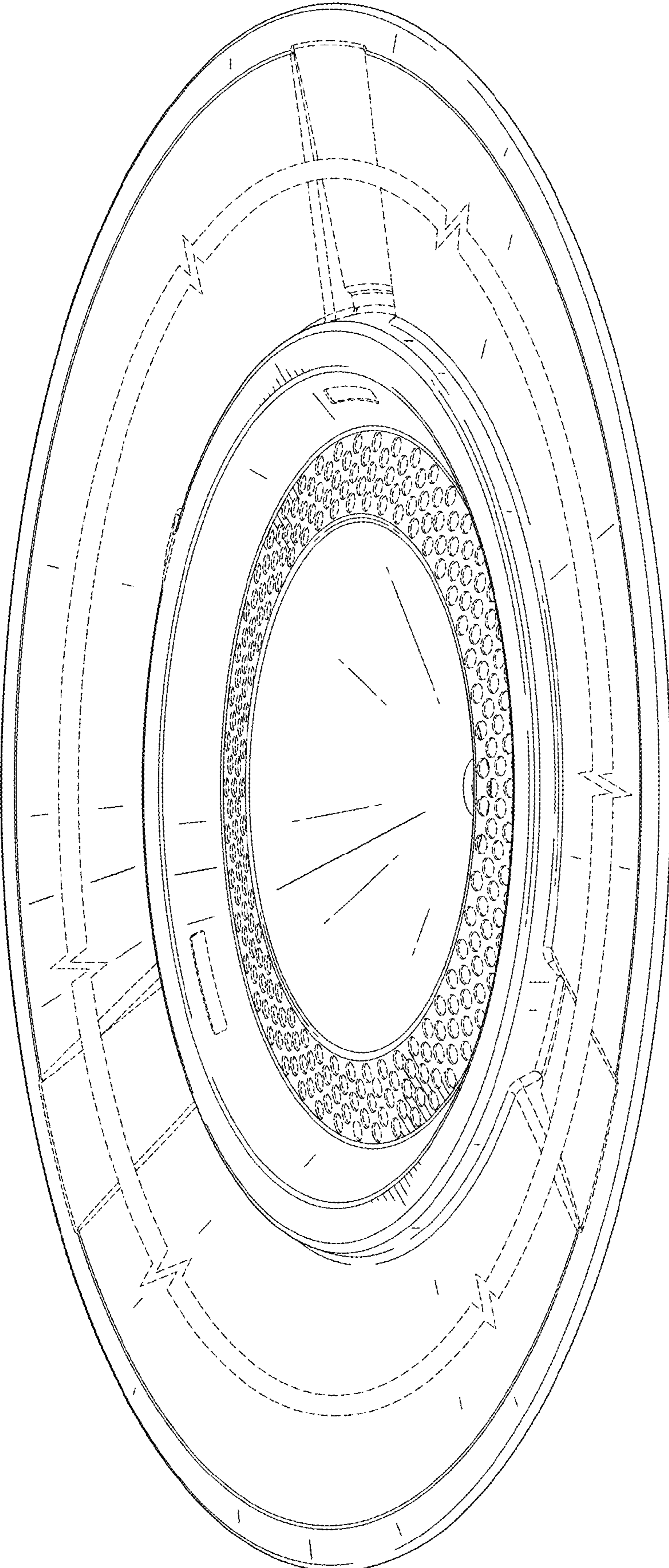


FIG. 9

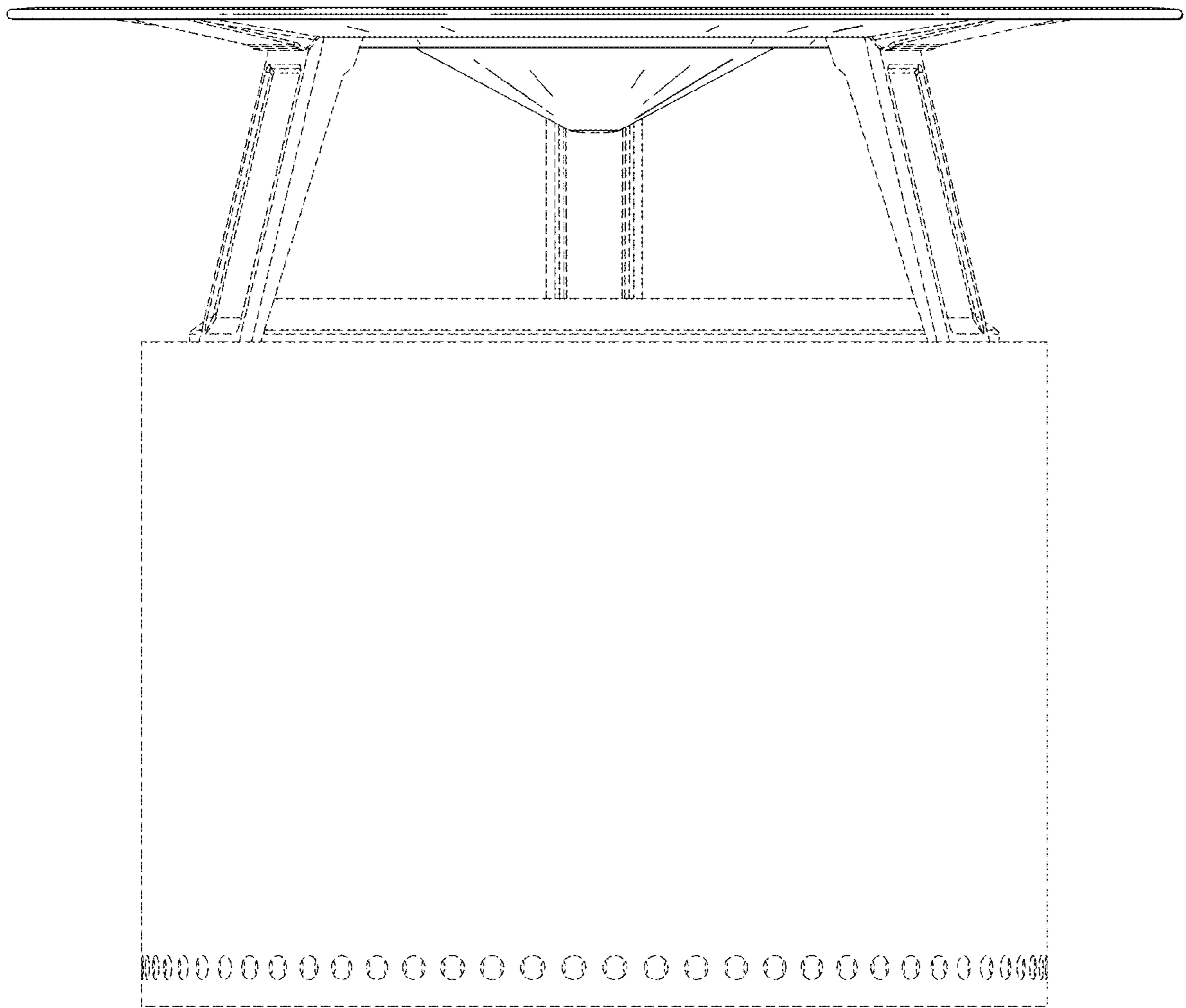


FIG. 10

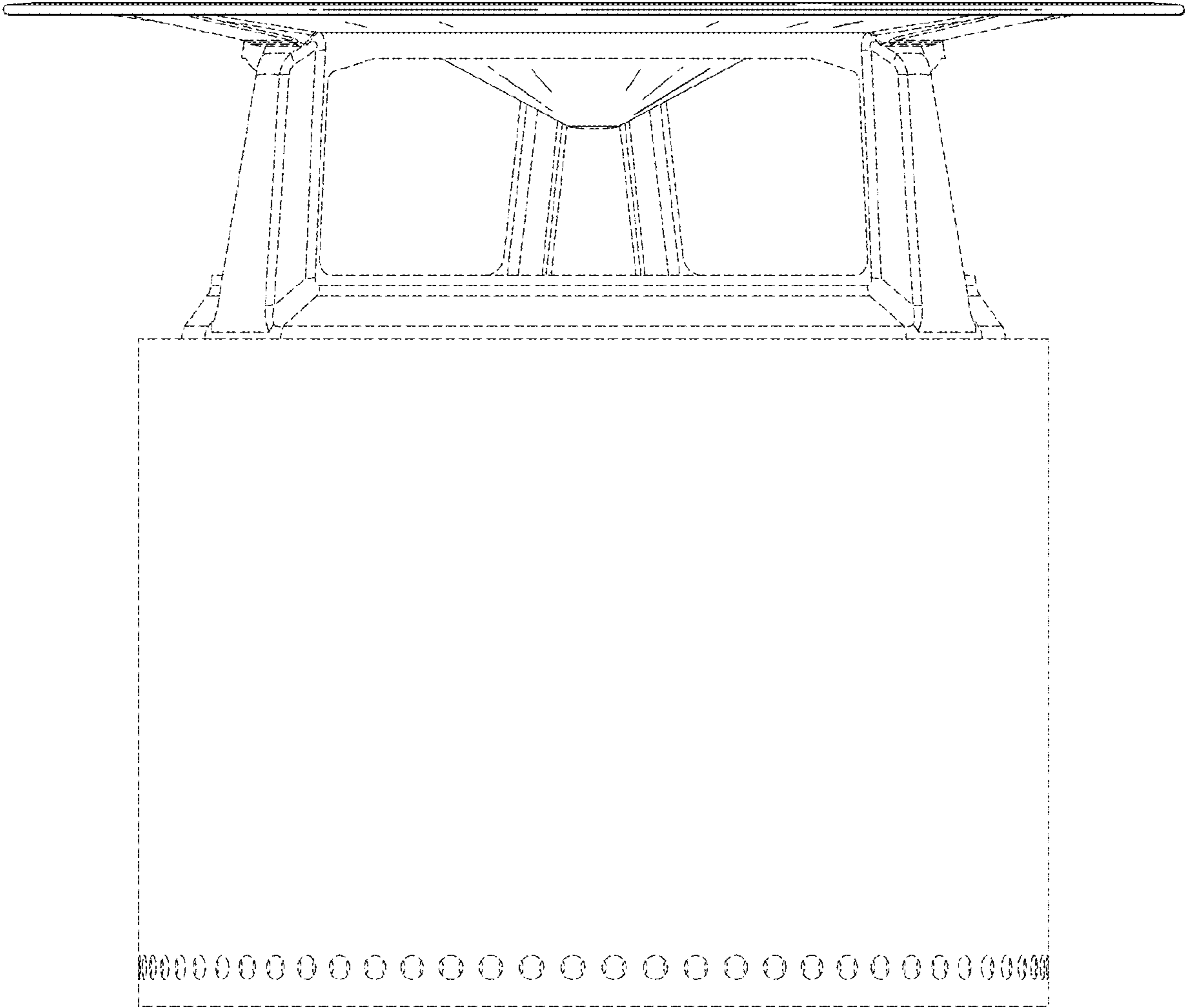


FIG. 11