



US0D1043432S

(12) **United States Design Patent** (10) **Patent No.:** **US D1,043,432 S**
Snyder (45) **Date of Patent:** **** Sep. 24, 2024**

(54) **GO KART**
(71) Applicant: **SC Autosports, LLC**, Dallas, TX (US)
(72) Inventor: **Paul Snyder**, Bloomfield Hills, MI (US)
(73) Assignee: **SC Autosports, LLC**, Dallas, TX (US)
(**) Term: **15 Years**

D913,847 S * 3/2021 Hashimoto D12/87
D927,355 S * 8/2021 Mikhailov D12/87
D934,118 S * 10/2021 Schroeder D12/87
11,173,808 B2 * 11/2021 Swain F01P 3/20
D954,606 S * 6/2022 Lou D12/107
D957,990 S * 7/2022 Yuan D12/87
D973,543 S * 12/2022 Xu D12/87
D973,544 S * 12/2022 Xu D12/87
2016/0332495 A1 * 11/2016 Franker B60K 17/04
(Continued)

(21) Appl. No.: **29/834,866**
(22) Filed: **Apr. 14, 2022**
(51) **LOC (14) Cl.** **12-08**
(52) **U.S. Cl.**
USPC **D12/87**
(58) **Field of Classification Search**
USPC D12/1, 86, 87, 88, 91, 92, 112, 114;
D21/424, 425, 432, 433
CPC B62B 3/00; B62B 7/00; B62B 7/04; B62B
7/042; B62B 7/006; B60Y 2200/13;
B60Y 2200/132; B60Y 2200/16; B60G
2200/114; B60G 2200/144; B60G
2300/26; B60K 5/12; B60K 13/04; B60K
17/354

See application file for complete search history.

(56) **References Cited**

U.S. PATENT DOCUMENTS

D286,760 S * 11/1986 Ooba D12/87
D312,989 S * 12/1990 Murata D12/87
D500,707 S * 1/2005 Lu D12/87
D640,171 S * 6/2011 Danisi D12/87
D662,855 S * 7/2012 Wang D12/87
D703,102 S * 4/2014 Eck D12/87
D737,724 S * 9/2015 Schroeder D12/87
9,566,858 B2 * 2/2017 Hicke B60K 13/02
D805,224 S * 12/2017 Eck D26/28
D826,831 S * 8/2018 Eck D12/222
D862,286 S * 10/2019 Flores D12/87
D896,703 S * 9/2020 Dunshee D12/87
D897,452 S * 9/2020 Lin D21/552

OTHER PUBLICATIONS

Kandi Go Kart EV Lucky T9, Kandi Web Page [online], [Site Visit Jul. 28, 2023], URL: <https://www.kandiamerica.com/EV/Lucky-T9.htm> (Year: 2023).*

(Continued)

Primary Examiner — Darlington Ly
Assistant Examiner — Giang Hoang Tran
(74) *Attorney, Agent, or Firm* — Timothy T. Wang; Ni, Wang & Massand, PLLC

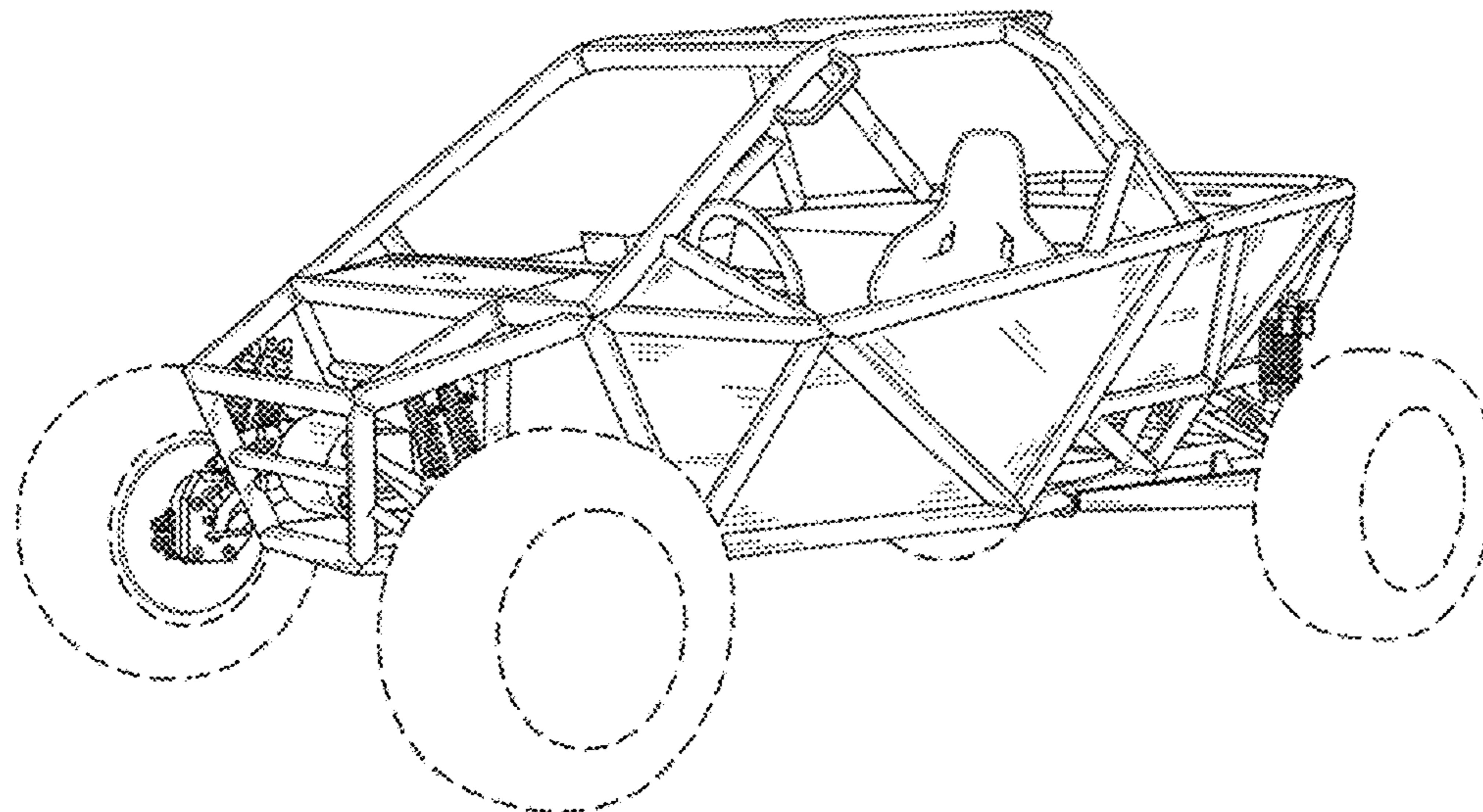
(57) **CLAIM**

The ornamental design for a go kart, as shown and described.

DESCRIPTION

FIG. 1 is a front perspective view of the go kart showing my new design;
FIG. 2 is a top perspective view thereof;
FIG. 3 is a rear perspective view thereof;
FIG. 4 is a right side elevational view thereof;
FIG. 5 is a left side elevational view thereof;
FIG. 6 is a front elevational view thereof;
FIG. 7 is a rear elevational view thereof;
FIG. 8 is a top plan view thereof; and,
FIG. 9 is a bottom plan view thereof.
The broken lines depict portions of the go kart that form no part of the claimed design.

1 Claim, 9 Drawing Sheets



(56)

References Cited

U.S. PATENT DOCUMENTS

2018/0236833 A1* 8/2018 Despres-Nadeau B60N 2/38
2019/0225041 A1* 7/2019 Upah B60K 17/16

OTHER PUBLICATIONS

BMS Dune Buggy V-Twin, TaoATV [online],[Site Visit Jul. 28, 2023], URL: <https://www.partsboss.com/s.nl/it.A/id.41318/.f> (Year: 2023).*

Predator FX400-2 Seater, Outdoor Toys and Accessories [online],[Site Visit Jul. 28, 2023], URL: <https://www.outdoortoysandaccessories.com/product-page/predator-fx400> (Year: 2023).*

Kandi Go Kart GK2000M, Parts Boss Web Page [online],[Site Visit Jul. 28, 2023], URL: <https://www.partsboss.com/s.nl/it.A/id.41318/.f> (Year: 2023).*

* cited by examiner

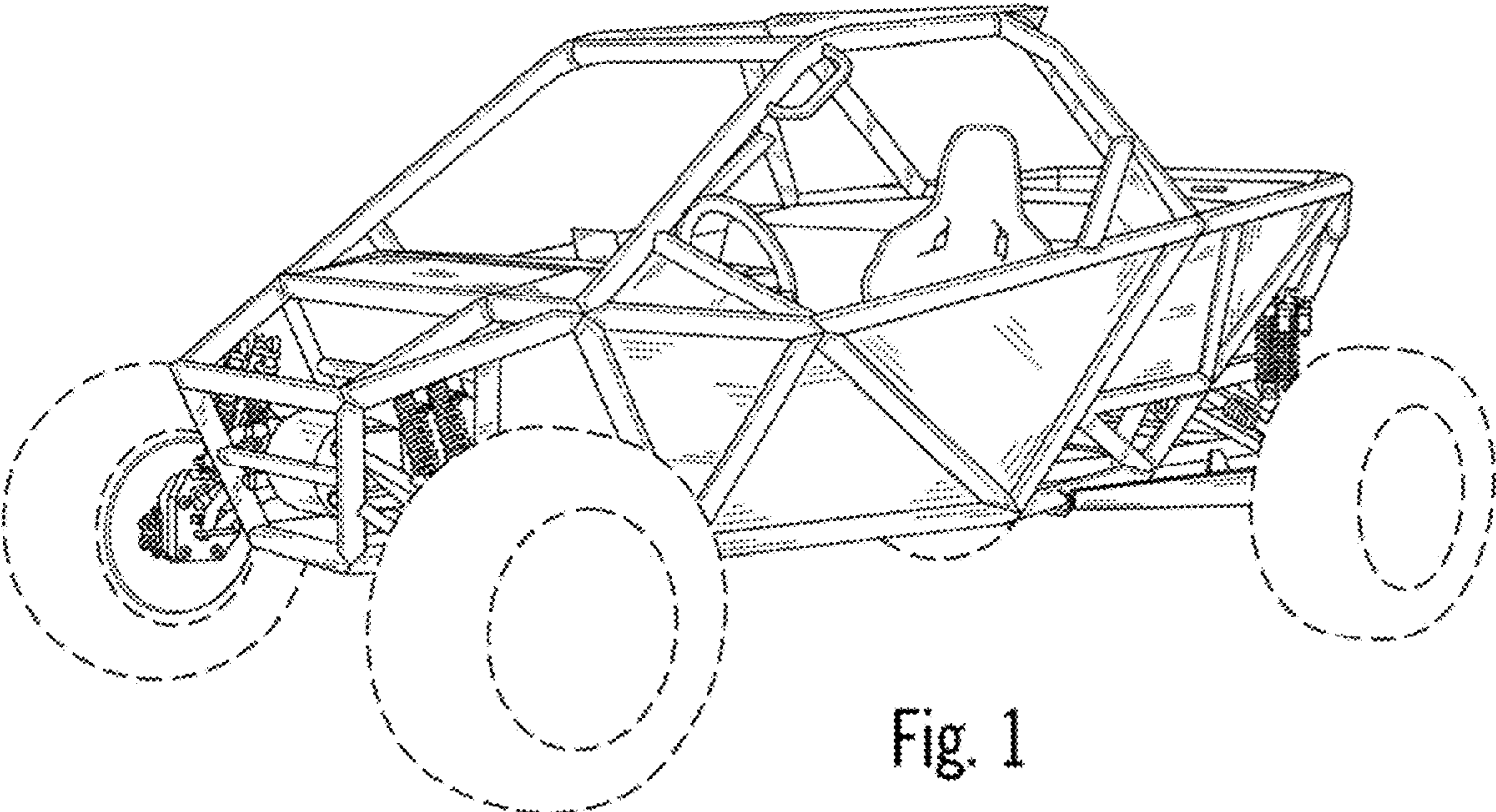


Fig. 1

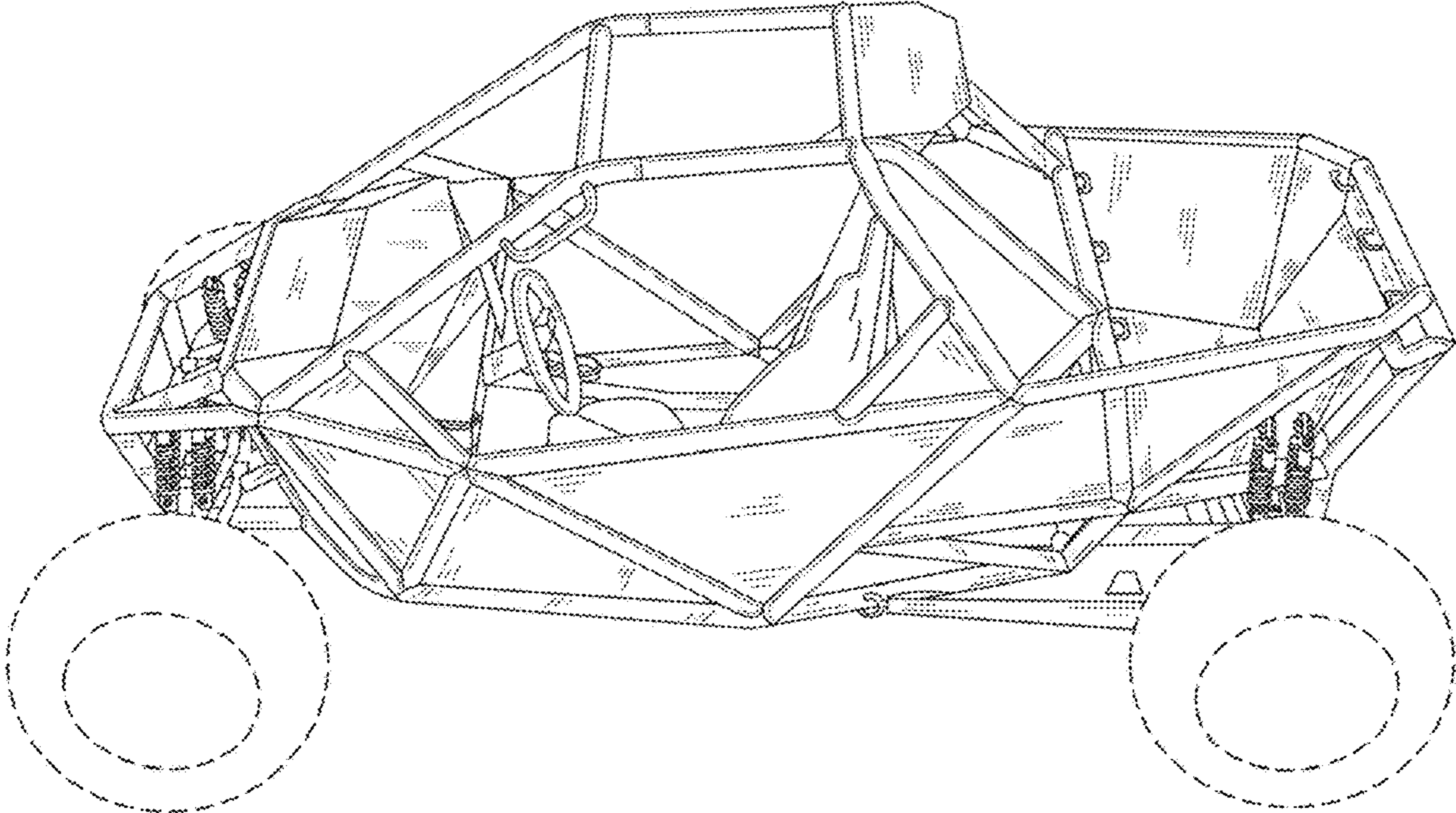


Fig. 2

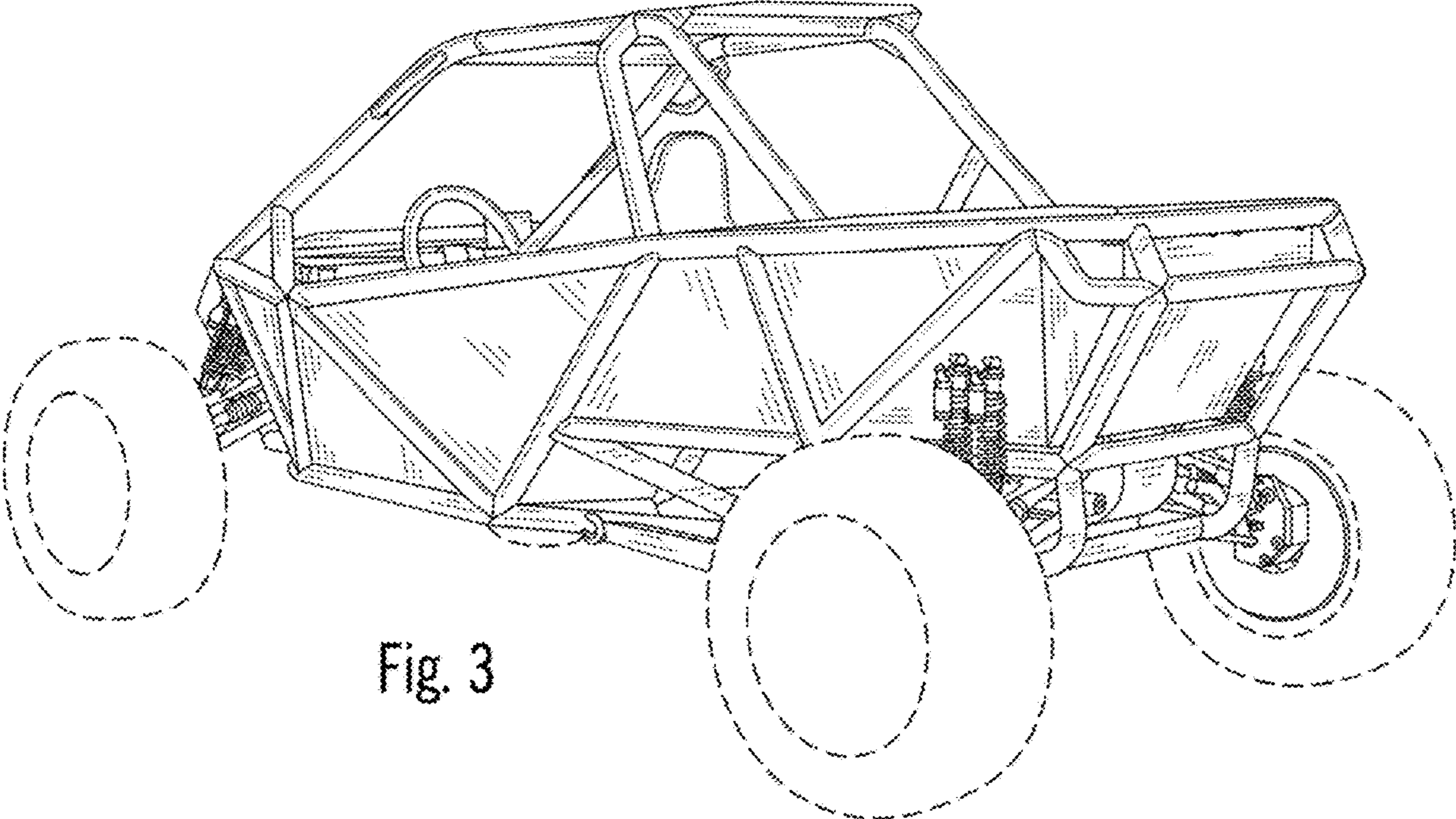


Fig. 3

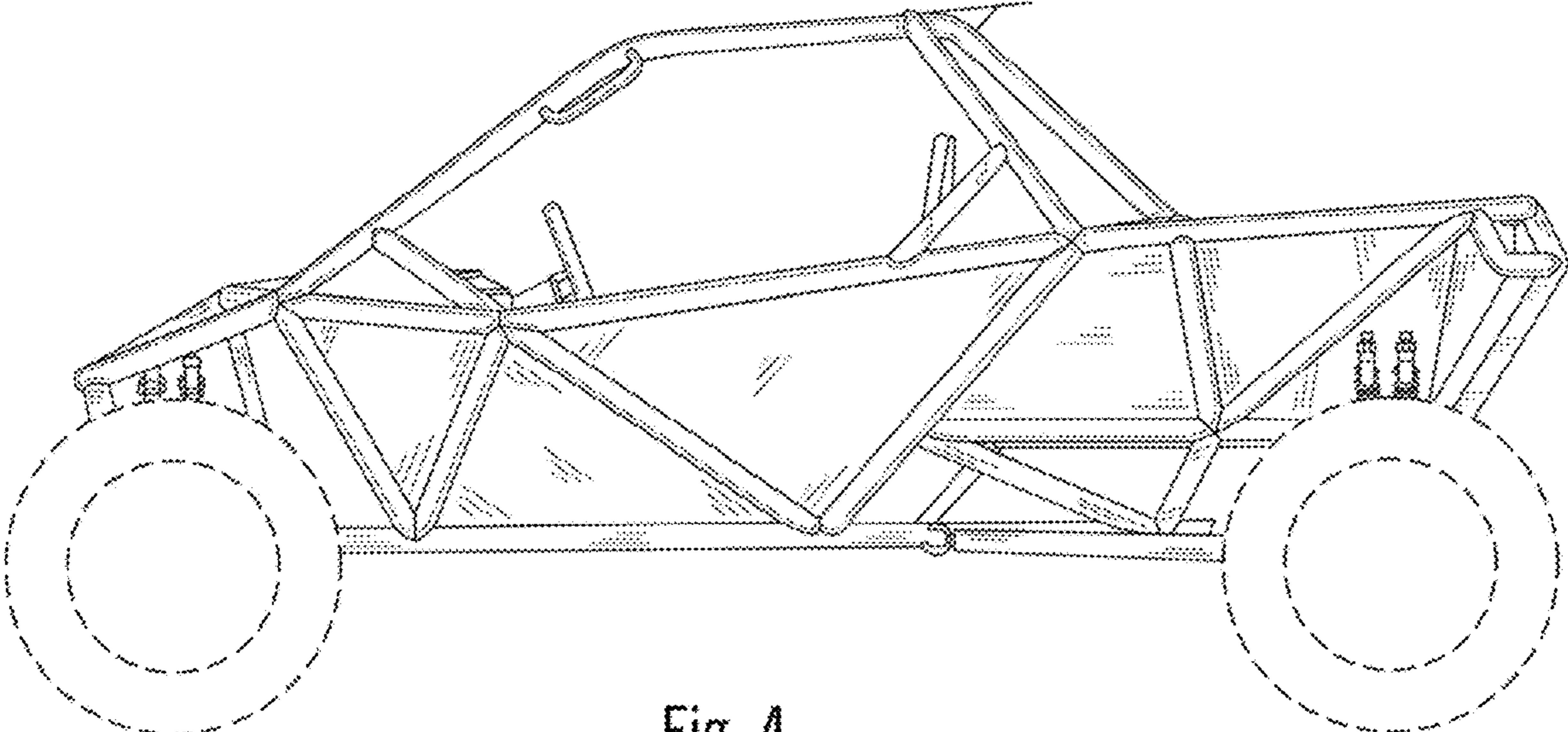


Fig. 4

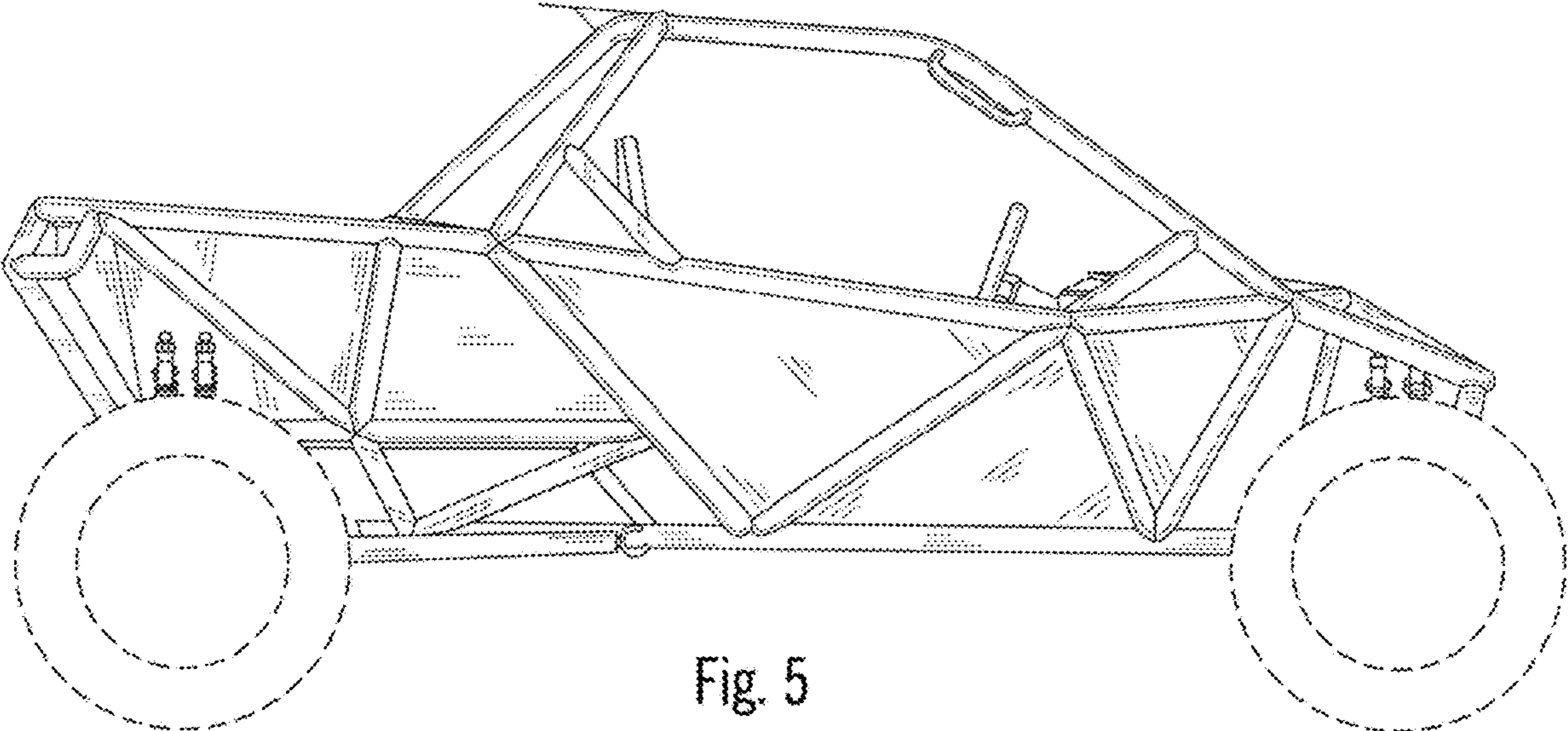


Fig. 5

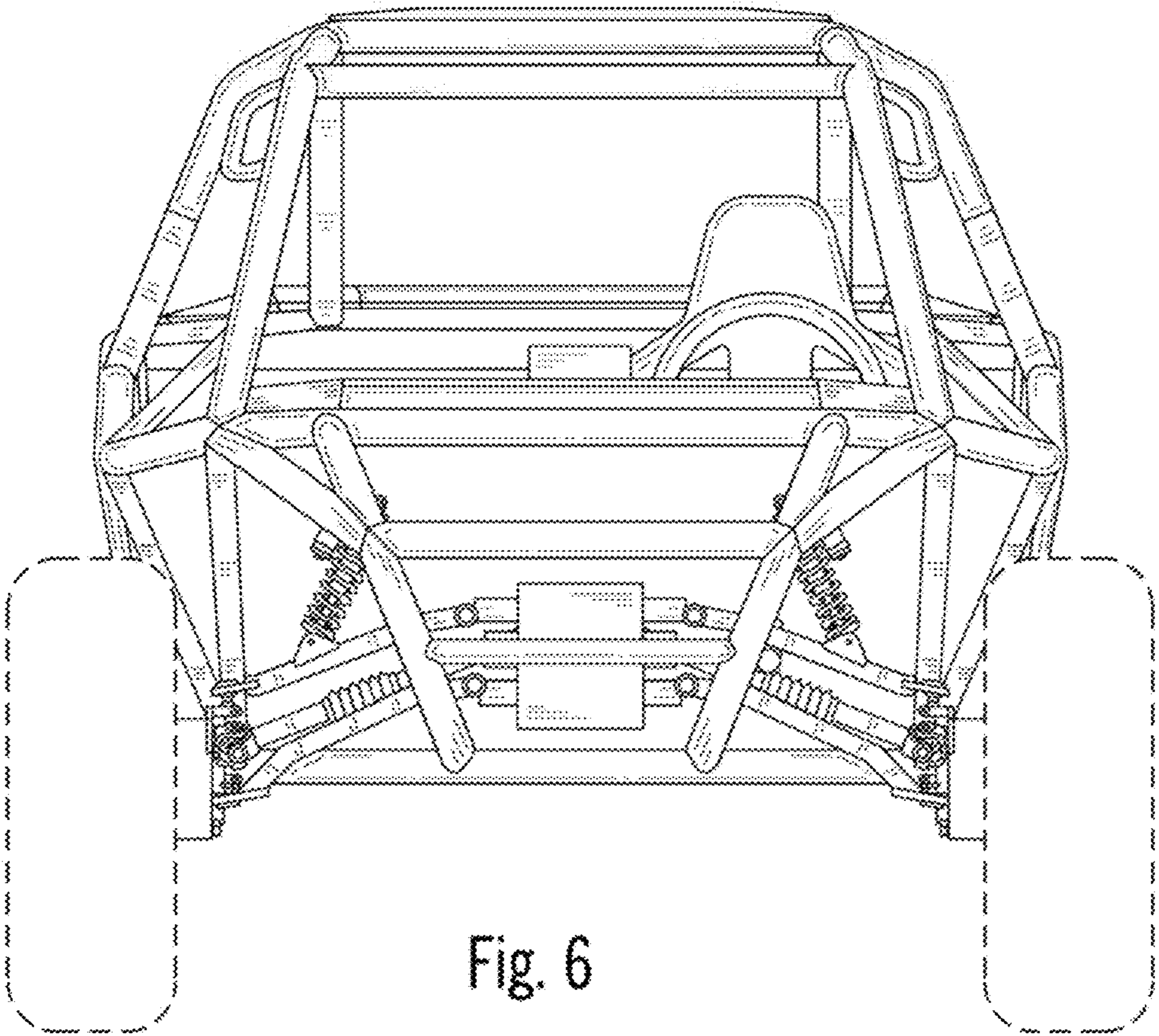


Fig. 6

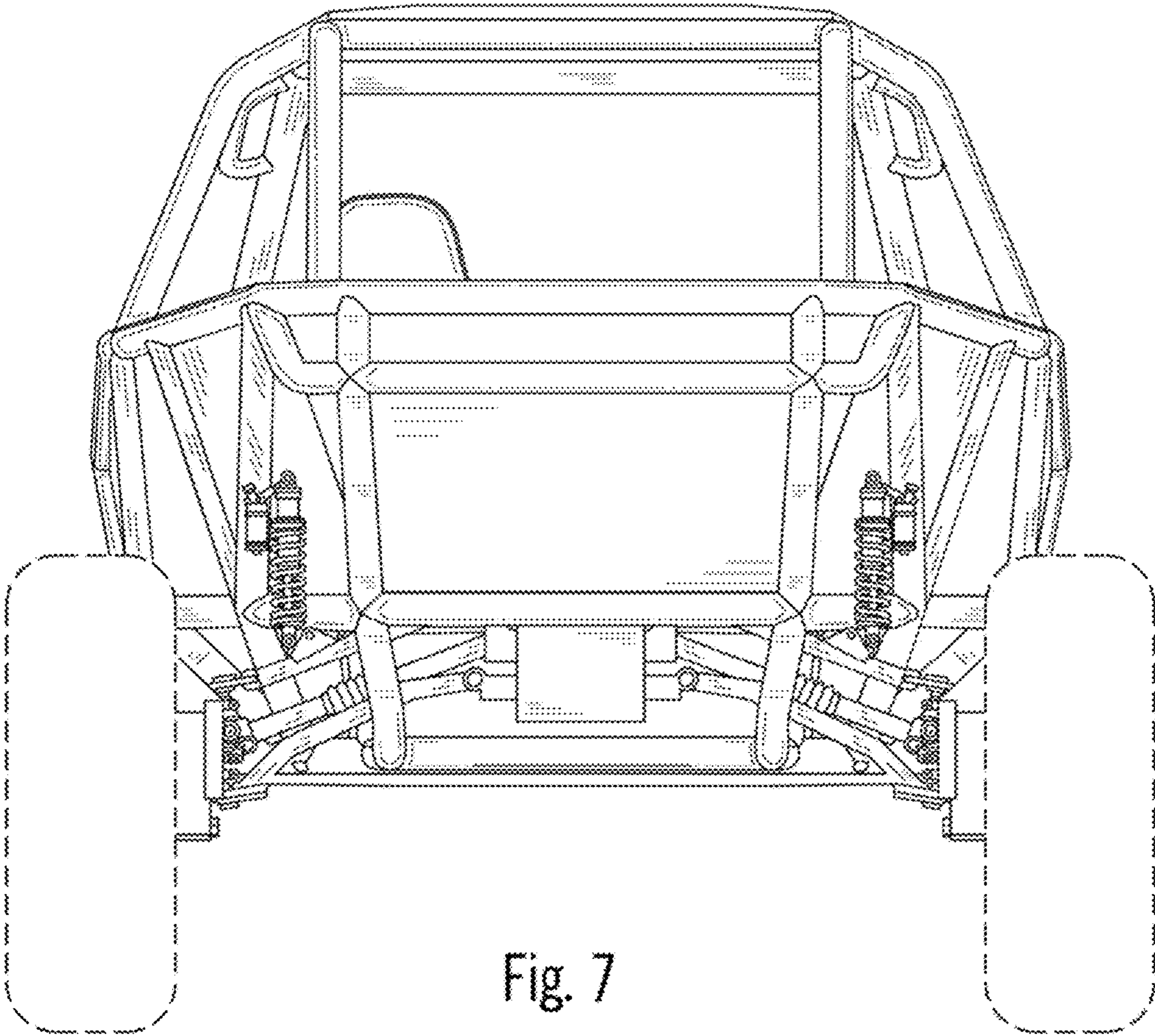


Fig. 7

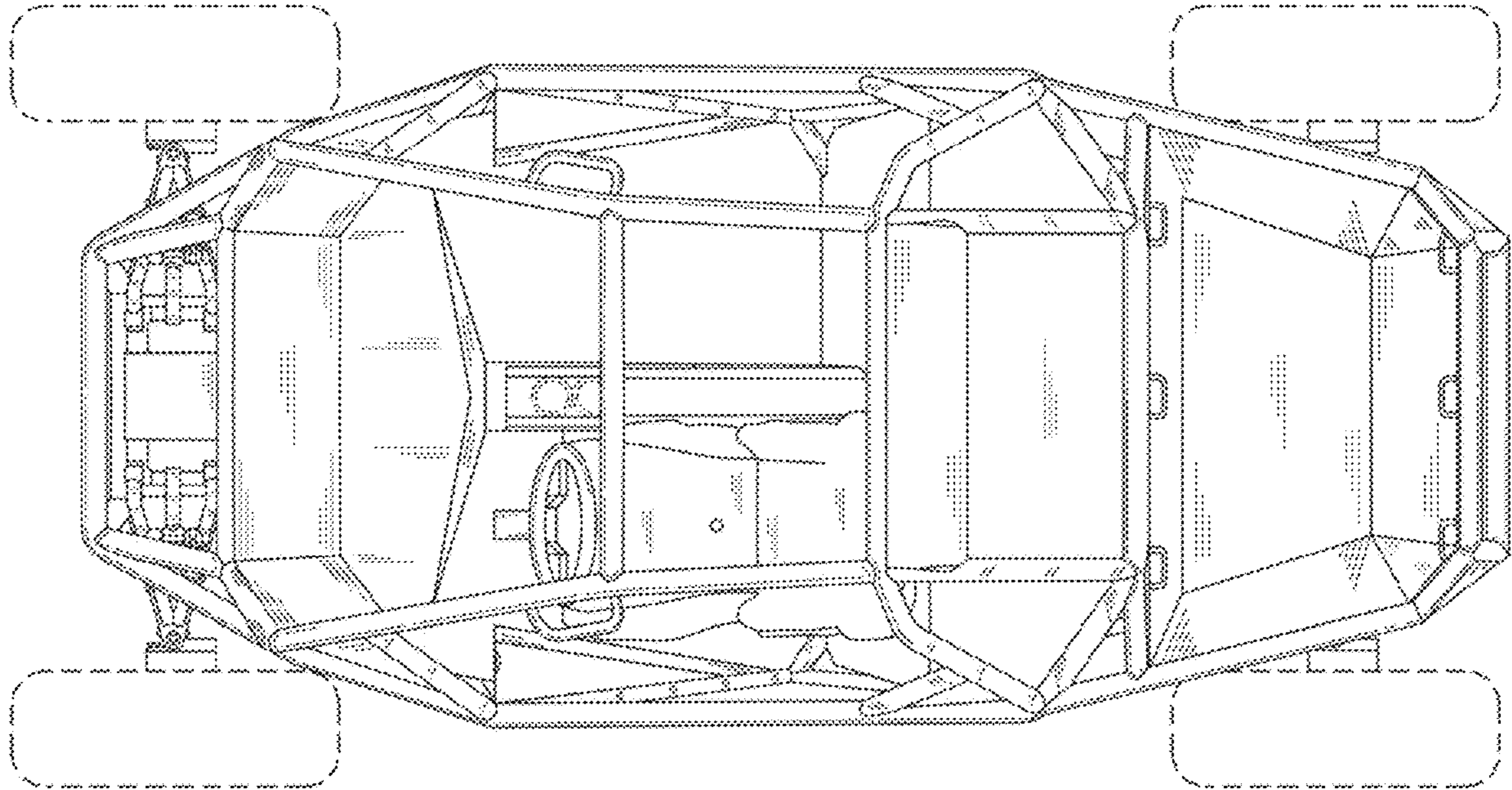


Fig. 8

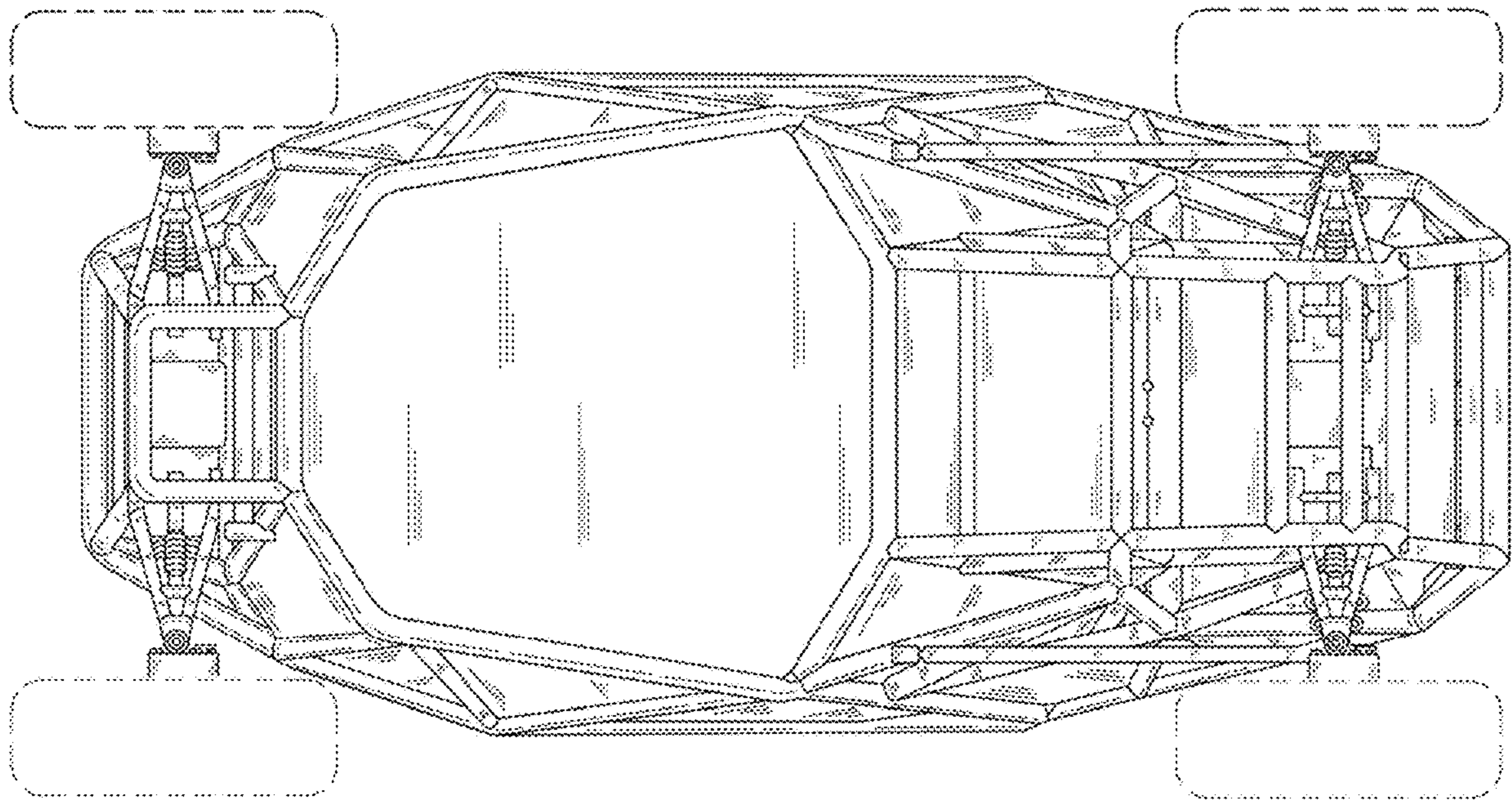


Fig. 9