



US0D1043385S

(12) **United States Design Patent** (10) **Patent No.:** **US D1,043,385 S**
Madeley et al. (45) **Date of Patent:** **** Sep. 24, 2024**

(54) **BATTERY TESTER HOUSING**

(71) Applicant: **Interstate Battery Systems International, Inc.**, Dallas, TX (US)

(72) Inventors: **Brian Paul Madeley**, Dallas, TX (US); **Clifford Sewing**, Dallas, TX (US)

(73) Assignee: **INTERSTATE BATTERY SYSTEMS INTERNATIONAL, INC.**, Dallas, TX (US)

(**) Term: **15 Years**

(21) Appl. No.: **29/802,039**

(22) Filed: **Aug. 2, 2021**

Related U.S. Application Data

(63) Continuation-in-part of application No. 17/368,447, filed on Jul. 6, 2021, which is a continuation of (Continued)

(51) **LOC (14) Cl.** **10-04**

(52) **U.S. Cl.**
USPC **D10/77**

(58) **Field of Classification Search**
USPC D10/77, 80
CPC G01R 31/385; G01R 31/364;
G01R 31/3646; G01R 1/04; G01R 31/36;
G01R 31/3606; G01R 31/361; G01R
31/3613; G01R 31/3617; G01R 31/362;
G01R 31/3624; G01R 31/3627; G01R
31/3631; G01R 31/3634; G01R 31/3637;
G01R

(Continued)

(56) **References Cited**

U.S. PATENT DOCUMENTS

D442,503 S * 5/2001 Lundbeck D10/77
9,042,067 B2 * 5/2015 Fan G01R 31/385
361/91.1

(Continued)

Primary Examiner — Antoine Duval Davis
(74) *Attorney, Agent, or Firm* — FERGUSON
BRASWELL FRASER KUBASTA PC

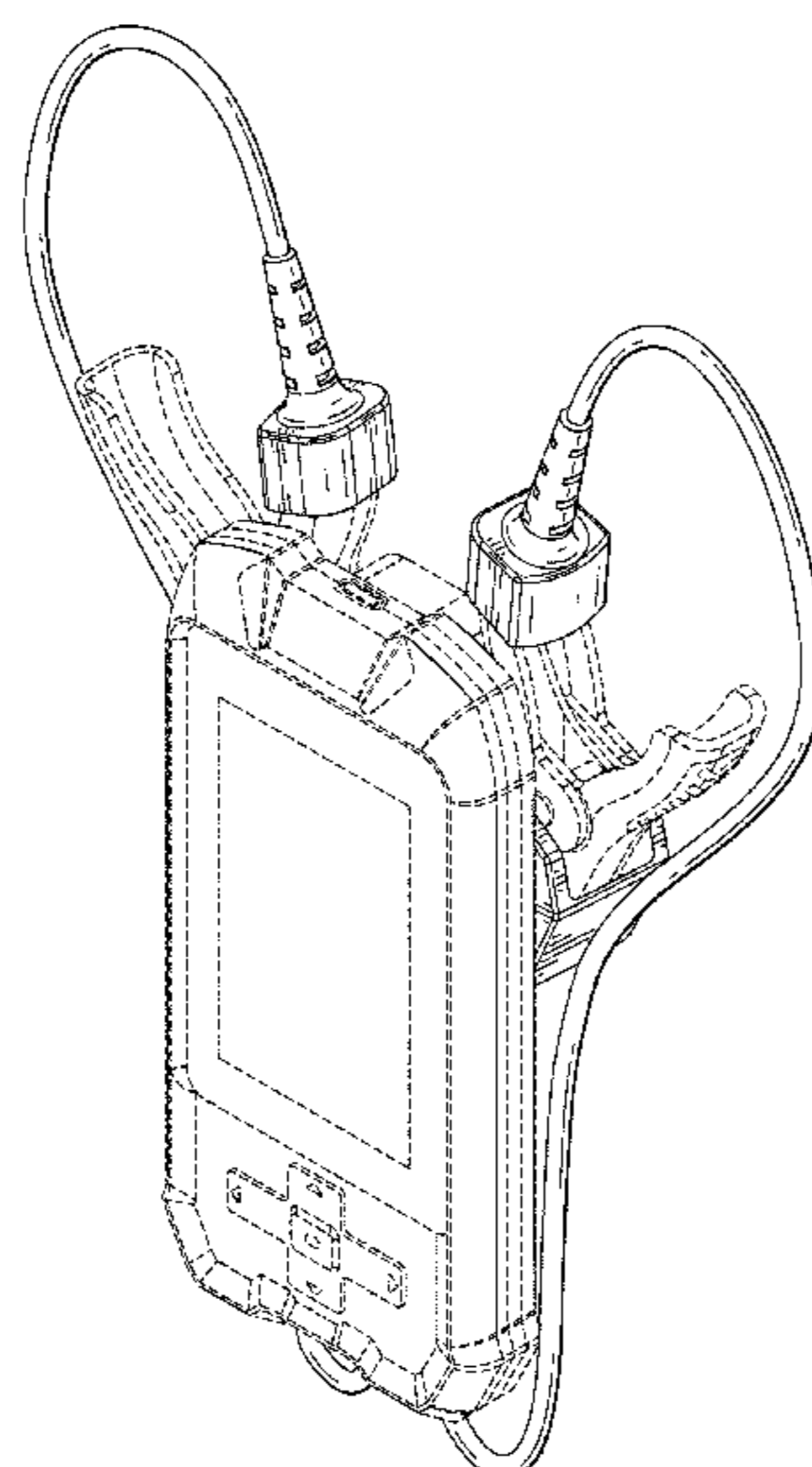
(57) **CLAIM**

The ornamental design for battery tester housing, as shown and described.

DESCRIPTION

FIG. 1 illustrates a back view of the battery tester housing, in which the battery tester housing is disposed in a base. FIG. 2 illustrates front perspective view of a battery tester housing with fixed or removable holsters for receiving components such as clamps. FIG. 3 illustrates a front view of the battery tester housing with holsters for receiving components illustrated in FIG. 1. FIG. 4 illustrates a back view of the battery tester housing with holsters for receiving components illustrated in FIG. 1. FIG. 5 illustrates a top view of the battery tester housing with holsters for receiving components illustrated in FIG. 1. FIG. 6 illustrates another view of the battery tester housing with holsters for receiving components illustrated in FIG. 1; and, FIG. 7 illustrates a top view of the battery tester housing with holsters for receiving components illustrated in FIG. 1. The broken lines, when present in the drawings, represent portions of the battery tester housing. The broken lines are for the purpose of illustrating the environment of the design and form no part of the claimed design. The surface shading lines, when present in the drawings, show contour and/or distinguish between open and solid areas. The surface shading lines are not surface ornamentation. The design is not limited to the scale shown herein.

1 Claim, 5 Drawing Sheets



Related U.S. Application Data

application No. 16/668,884, filed on Oct. 30, 2019,
now Pat. No. 11,054,478.

(58) **Field of Classification Search**

CPC 31/3641; G01R 31/3644; G01R 31/3648;
G01R 31/3651; G01R 31/3655; G01R
31/3658; G01R 31/3662; G01R 31/3665;
G01R 31/3668; G01R 31/3672; G01R
31/3675; G01R 31/3679; G01R 31/3682;
G01R 31/3686; G01R 31/3689; G01R
31/3693; G01R 31/3696; H01M 10/4285;
H01R 11/11; Y02E 60/10

See application file for complete search history.

(56) **References Cited**

U.S. PATENT DOCUMENTS

D731,908	S *	6/2015	Huang	D10/77
9,728,818	B2 *	8/2017	Guthrie	H01M 10/48
11,054,478	B1 *	7/2021	Madeley	H01M 10/4285
D963,496	S *	9/2022	Lu	G01R 31/3646
					D10/77
2019/0072615	A1 *	3/2019	Madeley	G01R 31/385
2021/0231737	A1 *	7/2021	Salo, III	G01R 31/364
2021/0405122	A1 *	12/2021	Madeley	G01R 31/3646

* cited by examiner

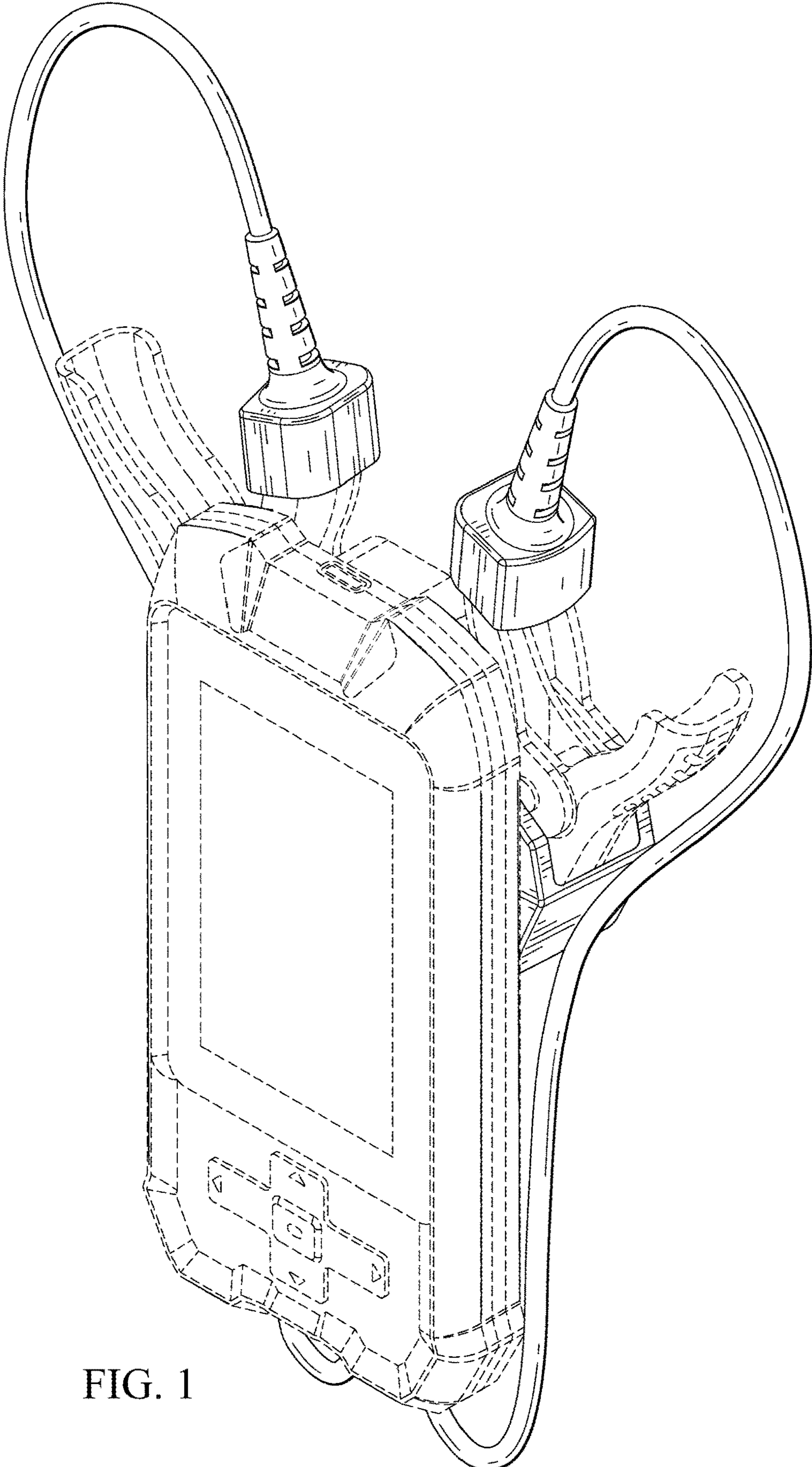


FIG. 1

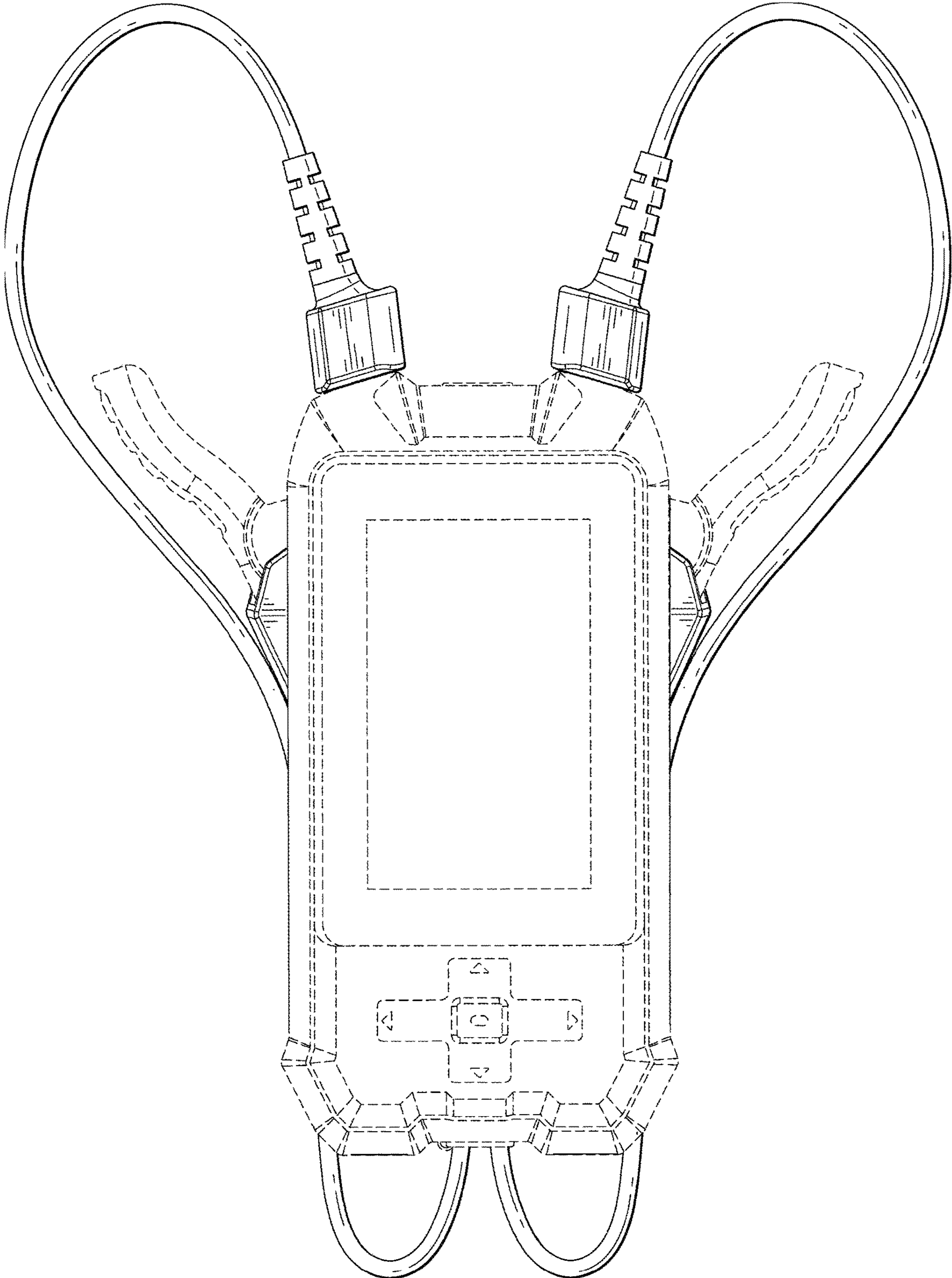


FIG. 2

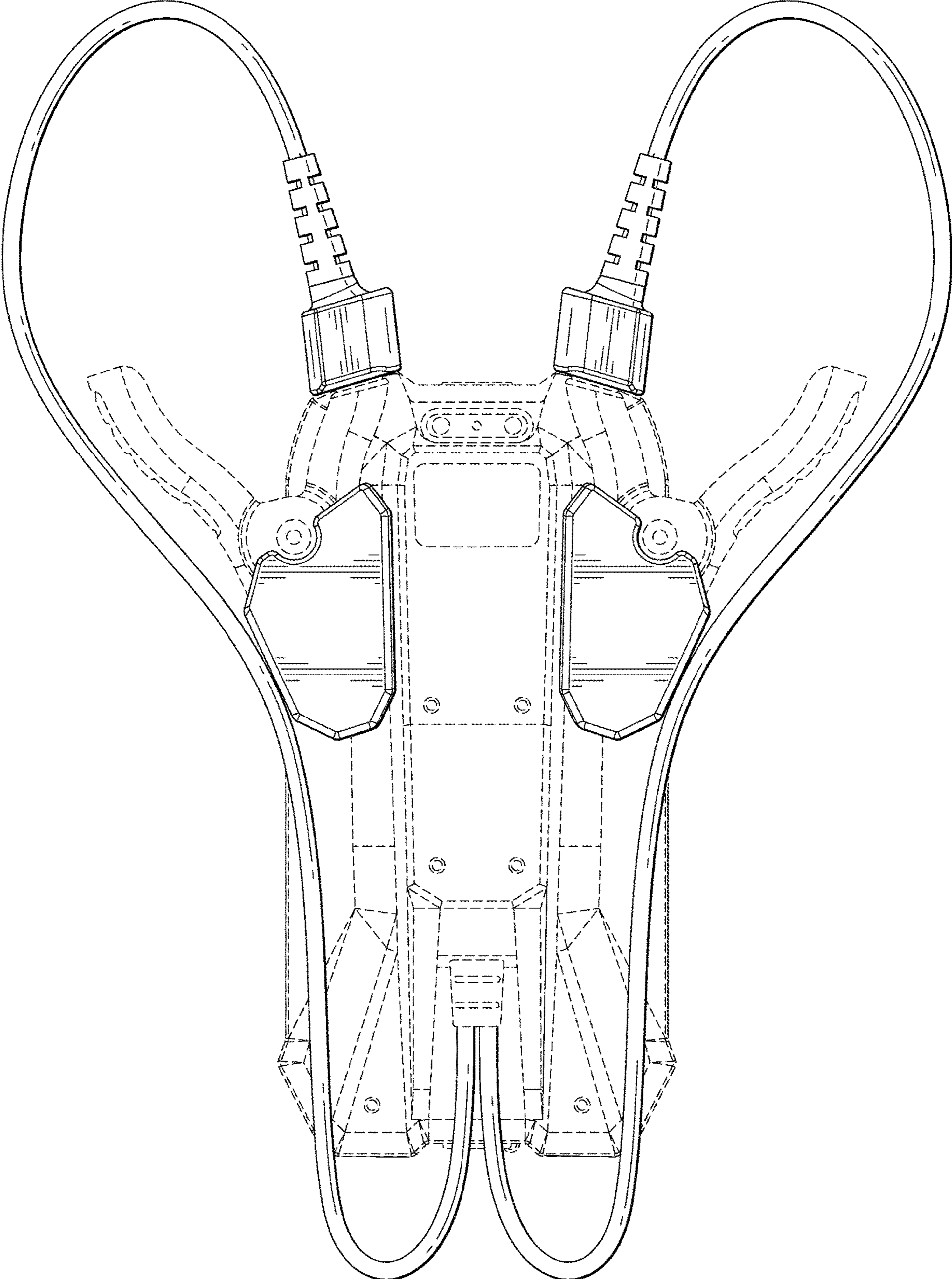


FIG. 3

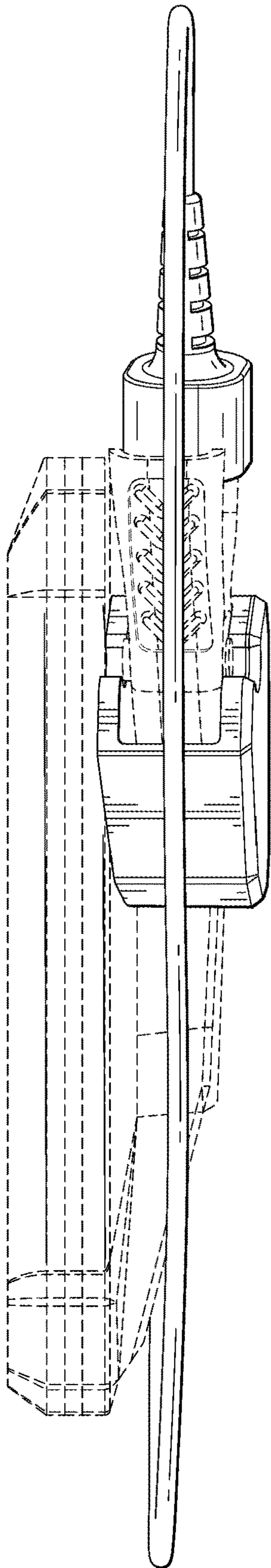


FIG. 4

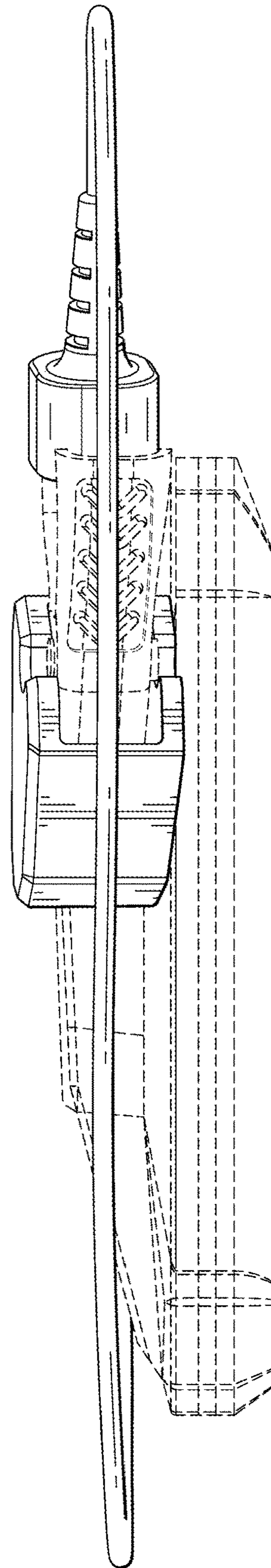


FIG. 5

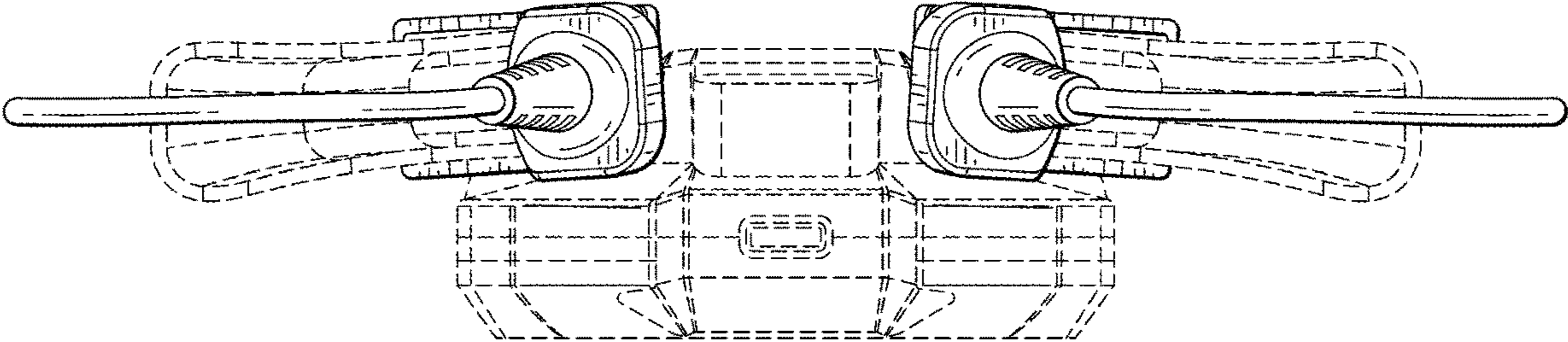


FIG. 6

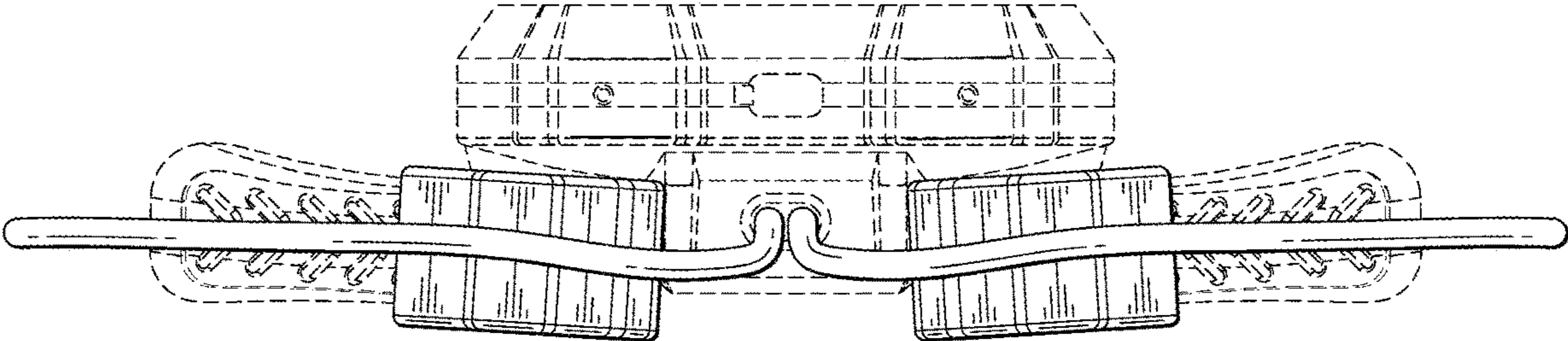


FIG. 7