



US0D1043358S

(12) **United States Design Patent** (10) **Patent No.:** **US D1,043,358 S**
Cox et al. (45) **Date of Patent:** **** Sep. 24, 2024**

(54) **BOTTLE**
(71) Applicant: **Homecourt Inc.**, Santa Monica, CA (US)
(72) Inventors: **Courtney Cox**, Malibu, CA (US); **Sarah Jahnke**, Dallas, TX (US); **Nick Axelrod-Welk**, Los Angeles, CA (US)
(73) Assignee: **Homecourt Inc.**, Santa Monica, CA (US)

D639,666 S * 6/2011 Hawry D9/541
D716,665 S * 11/2014 O'Donahue D9/693
D723,381 S * 3/2015 O'Donahue D9/693
D951,771 S * 5/2022 Paiji D9/500
D951,776 S 5/2022 Shi
D1,005,127 S * 11/2023 Peer D9/738
D1,014,281 S 2/2024 Hughes
D1,015,882 S * 2/2024 Subbiah D9/504
(Continued)

(**) Term: **15 Years**

FOREIGN PATENT DOCUMENTS
CA 139411 * 10/2011
EM 015029158-0001 * 8/2023
(Continued)

(21) Appl. No.: **29/883,224**

(22) Filed: **Jan. 25, 2023**

(51) **LOC (14) Cl.** **09-01**

(52) **U.S. Cl.**
USPC **D9/685**

(58) **Field of Classification Search**
USPC D9/682, 684, 685, 686, 688, 689, 690, D9/691, 693, 694, 500, 503, 504, 516, D9/517, 519, 529, 549, 558
CPC A45D 34/02; A45D 2034/0002; A45D 2034/0005; A45D 2200/05; B05B 11/3098; B65D 83/16; B65D 83/20; B65D 83/201; B65D 83/205; B65D 83/206; B65D 83/207; B65D 83/38; B65D 83/382; B65D 83/386; B65D 1/00; B65D 1/02; B65D 1/0223; B65D 23/00; B65D 51/32; B65D 2501/00; B65D 2501/0009

See application file for complete search history.

(56) **References Cited**

U.S. PATENT DOCUMENTS

D275,933 S 10/1984 Topor et al.
D486,062 S * 2/2004 Huang D9/694
D525,534 S 7/2006 Snell
D569,736 S 5/2008 Oates et al.
D610,917 S 3/2010 Ho

OTHER PUBLICATIONS

Hand Wash, posted Oct. 16, 2023 [retrieved Apr. 10, 2024]. Retrieved from internet, <https://www.amazon.com/Homecourt-Hand-Wash-Cleanses-Hydrates/dp/B0CC3X76KF> (Year: 2023).*

(Continued)

Primary Examiner — Darcey E Gottschalk
Assistant Examiner — Haley K Schnebele
(74) *Attorney, Agent, or Firm* — Young Basile Hanlon & MacFarlane, P.C.

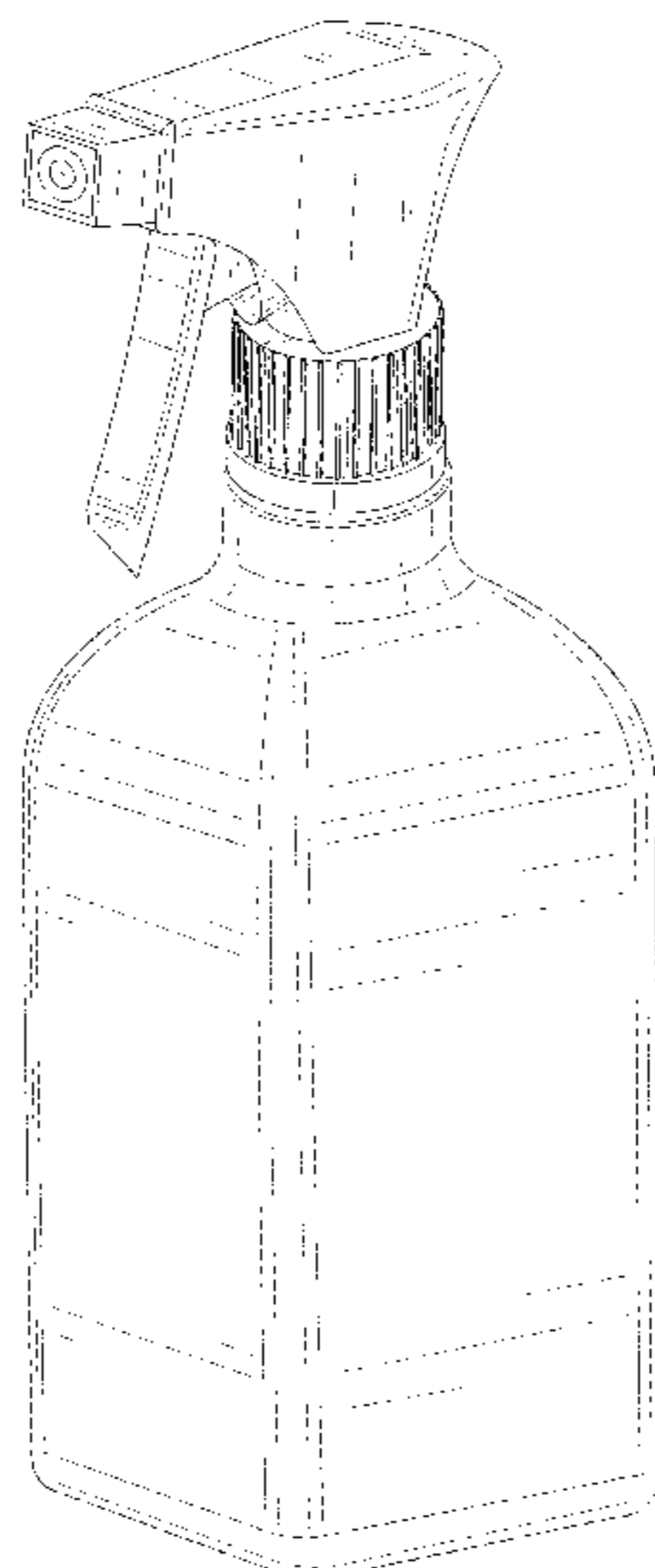
(57) **CLAIM**

The ornamental design for a bottle, as shown and described.

DESCRIPTION

FIG. 1 is a front, upper, left perspective view of a bottle of our new design;
FIG. 2 is a rear, lower, right perspective view;
FIG. 3 is a left view thereof;
FIG. 4 is a right view thereof;
FIG. 5 is a front view thereof;
FIG. 6 is a rear view thereof;
FIG. 7 is a top view thereof; and,
FIG. 8 is a bottom view thereof.

1 Claim, 8 Drawing Sheets



(56)

References Cited

U.S. PATENT DOCUMENTS

D1,015,889 S 2/2024 Hughes
D1,015,890 S 2/2024 Hughes
D1,015,891 S 2/2024 Hughes
2011/0180568 A1* 7/2011 Gillispie B05B 15/30
222/377

FOREIGN PATENT DOCUMENTS

EM 015029158-0002 * 8/2023
EM 015029158-0003 * 8/2023
EM 015029158-0004 * 8/2023
GB 8078590000-1000 5/2012
WO D078590-001 7/2012

OTHER PUBLICATIONS

Homecourt, posted Nov. 16, 2022 [retrieved Apr. 10, 2024]. Retrieved from internet, <https://www.wellandgood.com/homecourt-review/> (Year: 2022).*

Courteney Cox's Non-Toxic Cleaning Products, posted Mar. 1, 2023 [retrieved Apr. 10, 2024]. Retrieved from internet, <https://www.thekitchn.com/homecourt-kitchen-cleaner-trio-review-23509657> (Year: 2023).*

I Tried Courteney Cox's Luxe Home-Care and Cleaning Brand, posted Sep. 21, 2022 [retrieved Apr. 10, 2024]. Retrieved from internet, <https://www.popsugar.com/home/homecourt-products-review-48956312> (Year: 2022).*

Surface Cleaner Spray, posted Jul. 17, 2023 [retrieved Apr. 10, 2024]. Retrieved from internet, <https://www.amazon.com/Homecourt-Surface-Cleaner-All-Purpose-Formula/dp/B0CC3T6WPG> (Year: 2023).*

Square Spray Bottle, posted Jun. 1, 2023 [retrieved Apr. 10, 2024]. Retrieved from internet, <https://www.amazon.com/YARNOW-Cosmetic-Container-Moisturizing-Toiletries/dp/B0C6T1FX77?th=1> (Year: 2023).*

II Palagio Extra Virgin Olive Oil by Sting, <https://www.walmart.com/ip/II-Palagio-Extra-Virgin-Olive-Oil-by-Sting/233194724>, Jan. 26, 2023, 4 pages.

* cited by examiner

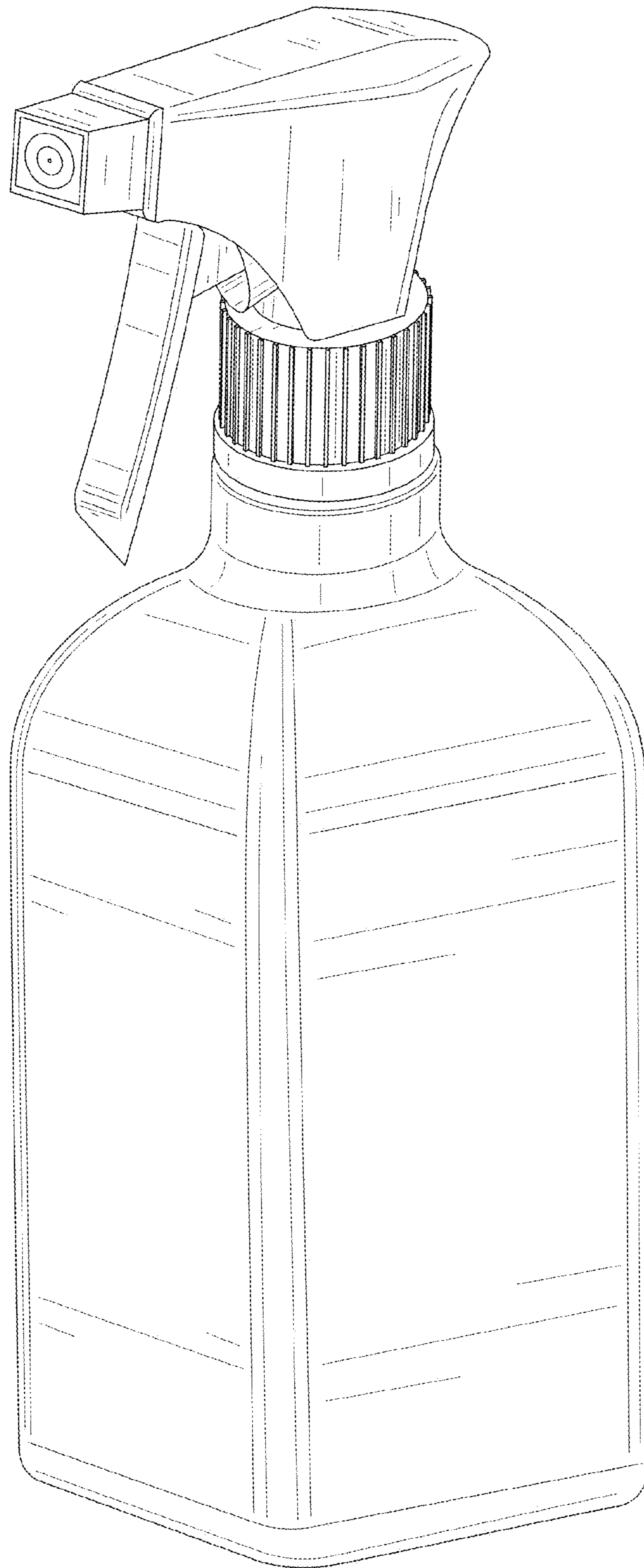


FIG. 1



FIG. 2



FIG. 3



FIG. 4



FIG. 5

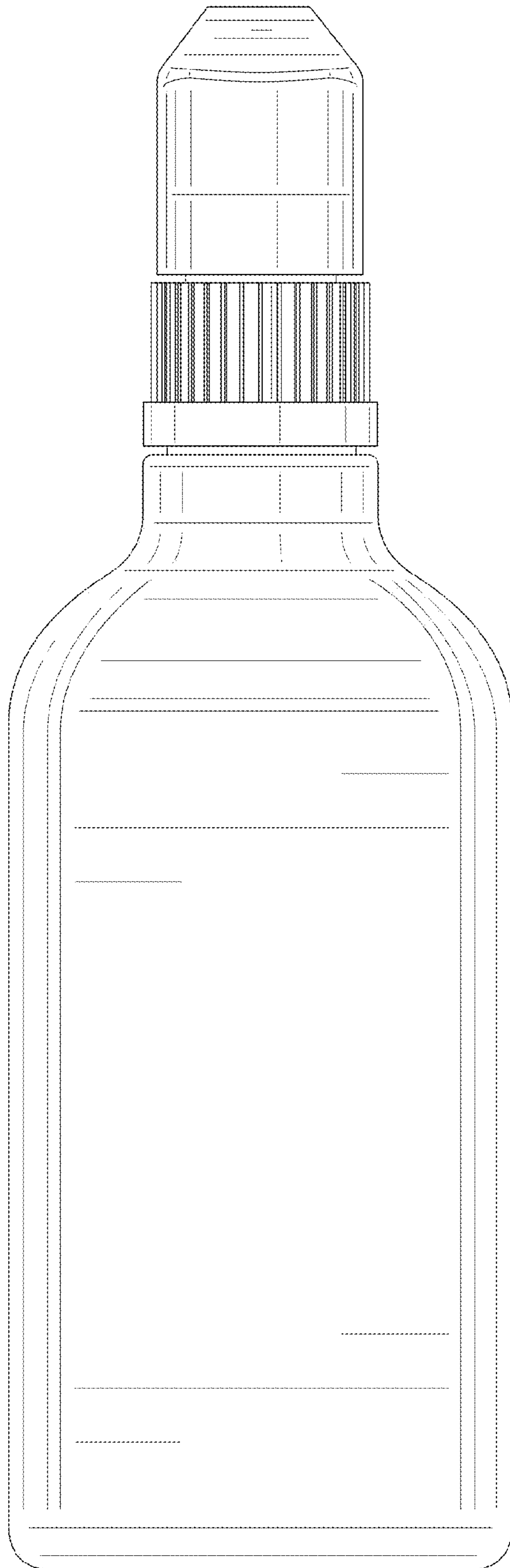


FIG. 6

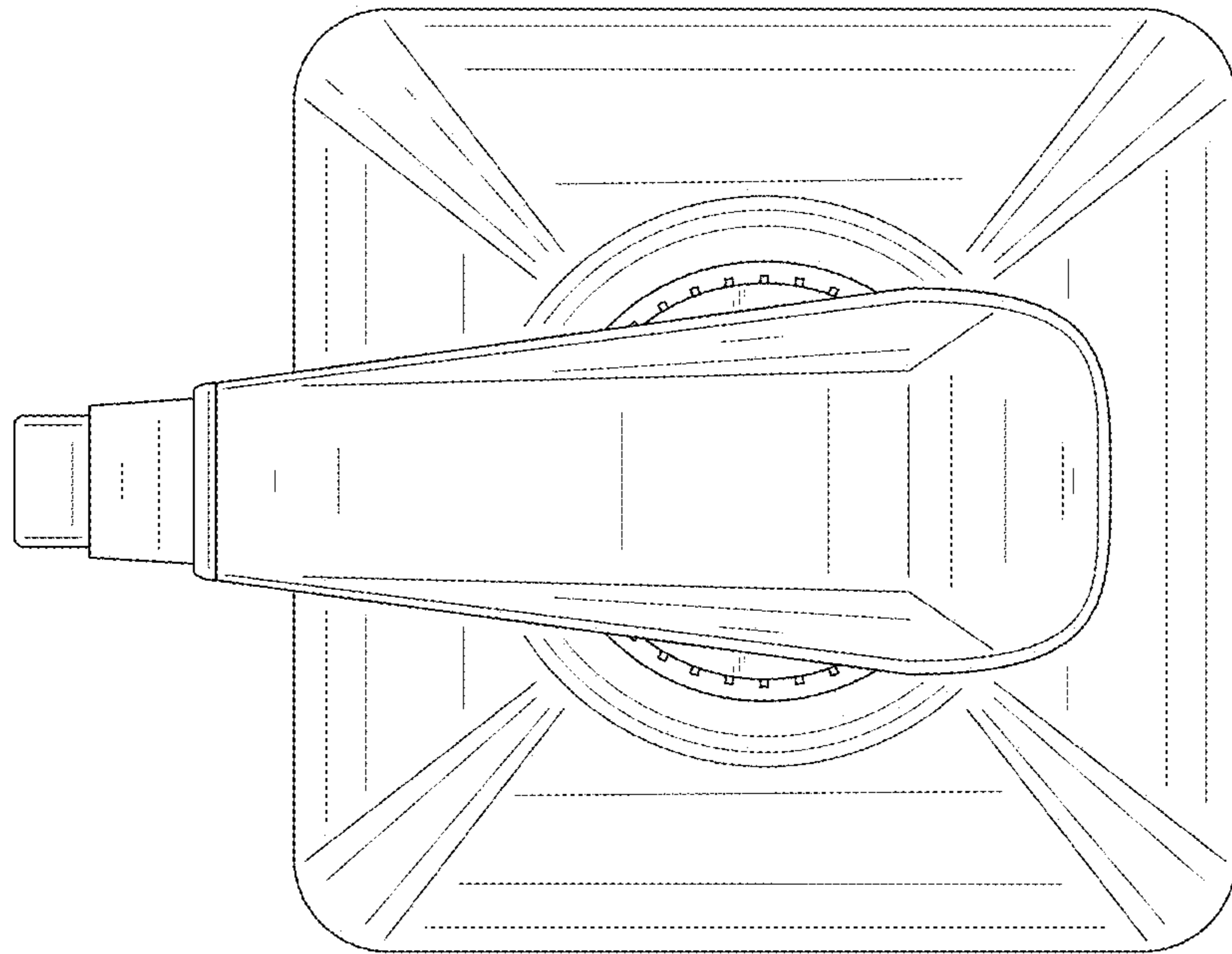


FIG. 7

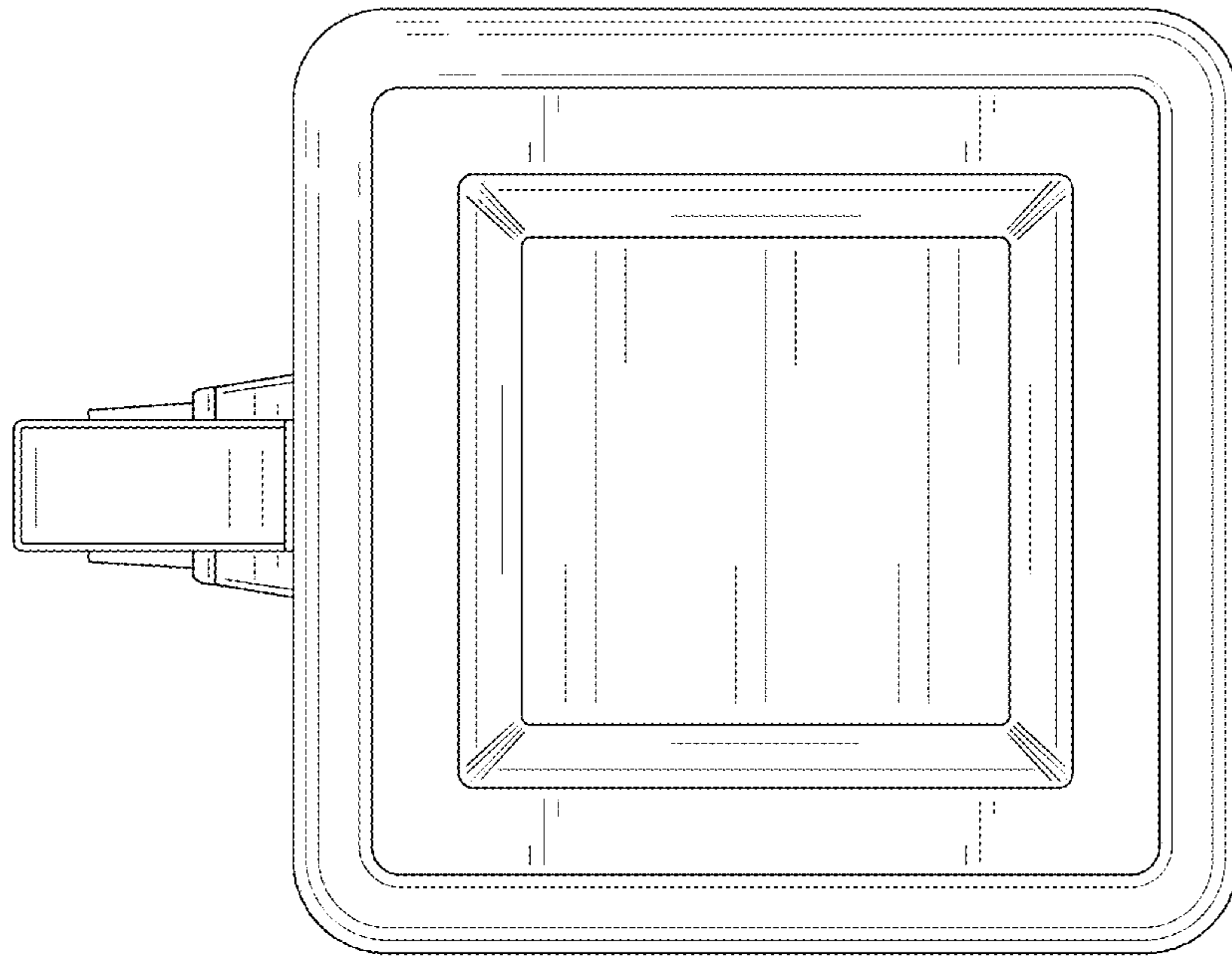


FIG. 8