



US0D1043264S

(12) **United States Design Patent** (10) **Patent No.: US D1,043,264 S**
Kuhs et al. (45) **Date of Patent: ** Sep. 24, 2024**

- (54) **BEVERAGE CONTAINER HOLDER**
- (71) Applicant: **Float Luv LLC**, Plano, TX (US)
- (72) Inventors: **James Kuhs**, Plano, TX (US);
Jonathan Hoak, Plano, TX (US)
- (73) Assignee: **Float Luv LLC**, Plano, TX (US)
- (**) Term: **15 Years**
- (21) Appl. No.: **29/877,312**
- (22) Filed: **Jun. 5, 2023**

D511,438 S * 11/2005 Johnson D7/619.1
 D514,392 S 2/2006 Bruns
 D639,117 S 6/2011 Jonsson
 D668,308 S 10/2012 Gilmore et al.
 D708,485 S 7/2014 VanDyke
 D832,059 S 10/2018 Lichtenberg
 (Continued)

OTHER PUBLICATIONS

20oz. Tumbler Beverage Buoy, Float Luv, [online], [site visited Dec. 12, 2022], Available from internet URL: <https://www.floatluv.com/product-page/20oz-tumbler-beverage-buoy> (Year: 2022).
 (Continued)

Related U.S. Application Data

- (62) Division of application No. 29/806,409, filed on Sep. 2, 2021, now abandoned.
- (51) **LOC (14) Cl.** **07-09**
- (52) **U.S. Cl.**
USPC **D7/619.1; D7/624.2**
- (58) **Field of Classification Search**
USPC D7/387, 396.2, 602, 605, 607, 608,
D7/619.1, 619.2, 622, 624.1, 624.2, 625;
D3/202, 215; D21/803, 804
CPC A47G 23/02; A47G 23/0208; A47G
23/0216; A47G 23/0225; A47G 23/0233;
A47G 23/0241; A47G 23/0266; A47G
2023/0275; A47G 2023/0283; A47G
2023/0291; A47G 2200/02
See application file for complete search history.

Primary Examiner — Mary Ann Calabrese
Assistant Examiner — Natalya M Rapundalo

(57) **CLAIM**

The ornamental design for a beverage container holder, as shown and described.

DESCRIPTION

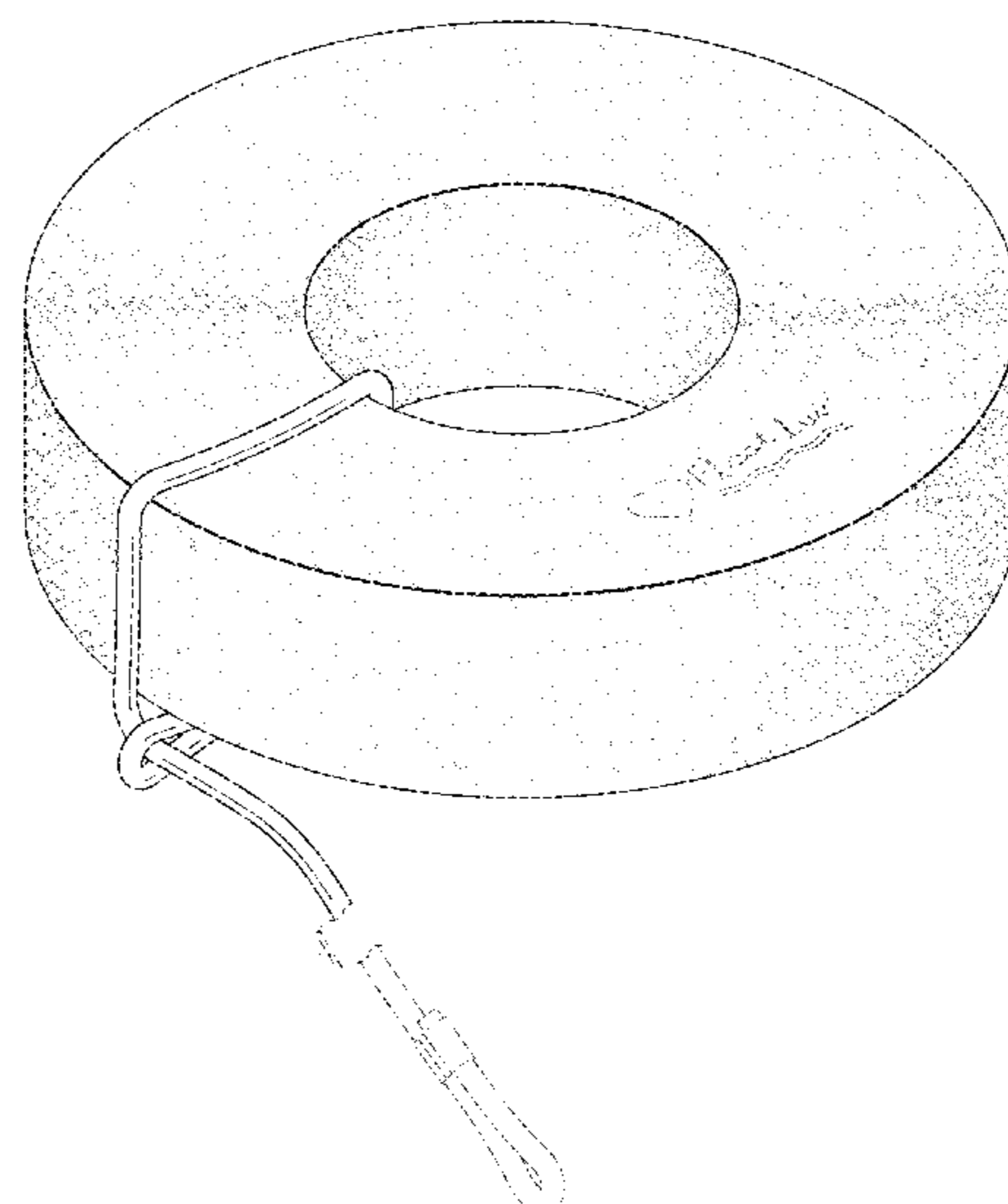
FIG. 1 is a front perspective view of a beverage container holder showing my new design;
 FIG. 2 is a front elevation view thereof;
 FIG. 3 is a rear elevation view of thereof;
 FIG. 4 is a right side view thereof;
 FIG. 5 is a left side thereof;
 FIG. 6 is a top view thereof;
 FIG. 7 is a bottom view thereof; and,
 FIG. 8 is a front perspective view of the beverage container holder shown in a configuration of use.
 The broken lines in FIGS. 1-8 illustrate portions of the beverage container holder and form no part of the claimed design. The other broken lines illustrating a beverage container in FIG. 8 represent environment and form no part of the claimed design.

(56) **References Cited**

U.S. PATENT DOCUMENTS

- D338,556 S 8/1993 McNamara
- 5,413,502 A 5/1995 Wang
- 5,972,009 A 10/1999 Fortier et al.
- 6,310,961 B1 10/2001 Oliveira et al.
- D469,317 S 1/2003 Doerr
- 6,607,090 B1 * 8/2003 Doerr G09F 23/02
220/560
- D504,285 S 4/2005 Lowe

1 Claim, 8 Drawing Sheets



(56)

References Cited

U.S. PATENT DOCUMENTS

D847,583	S *	5/2019	Wampold	D7/606
D848,225	S	5/2019	Zhang	
D873,624	S	1/2020	Rogers et al.	
D874,228	S	2/2020	Biebersdorf	
D880,954	S *	4/2020	McCutchen	D7/624.2
D945,223	S *	3/2022	Rogers	D7/619.1
D968,911	S	11/2022	George et al.	
D969,566	S *	11/2022	Newton	D7/619.1
D1,017,336	S *	3/2024	Noravian	D7/619.1
2004/0040968	A1 *	3/2004	Visser	G09F 23/02 220/560
2004/0089774	A1	5/2004	Pace	
2008/0078788	A1 *	4/2008	Degges	A45C 3/10 224/148.1
2016/0324350	A1	11/2016	Rogers et al.	
2018/0199742	A1	7/2018	Rogers et al.	
2019/0100286	A1 *	4/2019	Kennedy	E04H 4/14
2019/0350393	A1	11/2019	Storey-Knight et al.	
2020/0275792	A1	9/2020	McCutchen	
2022/0071423	A1	3/2022	Linhart et al.	
2022/0408951	A1 *	12/2022	Rietema	B63B 21/20

OTHER PUBLICATIONS

30oz. Tumbler Beverage Buoy, Float Luv, [online], [site visited Dec. 12, 2022], Available from internet URL: <https://www.floatluv.com/product-page/30oz-tumbler> (Year: 2022).

Drinks Up! Neoprene Floating Drink Holder, Amazon, [online], [site visited Dec. 12, 2022], Available from internet URL: <https://www.amazon.com/Drinks-Up-Neoprene-Floating-Holder/dp/B073TS1X5R> (Year: 2022).

* cited by examiner

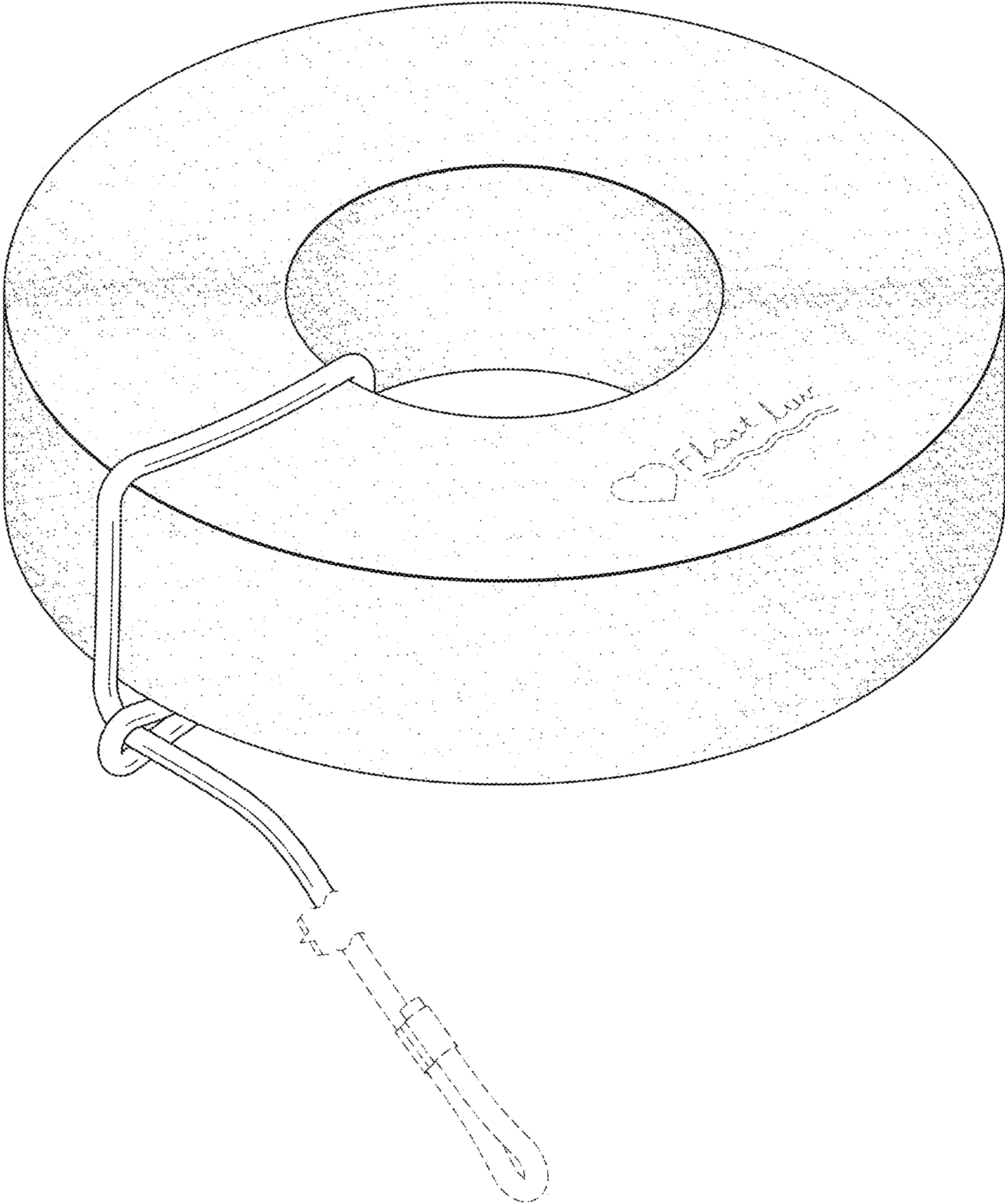


FIG. 1

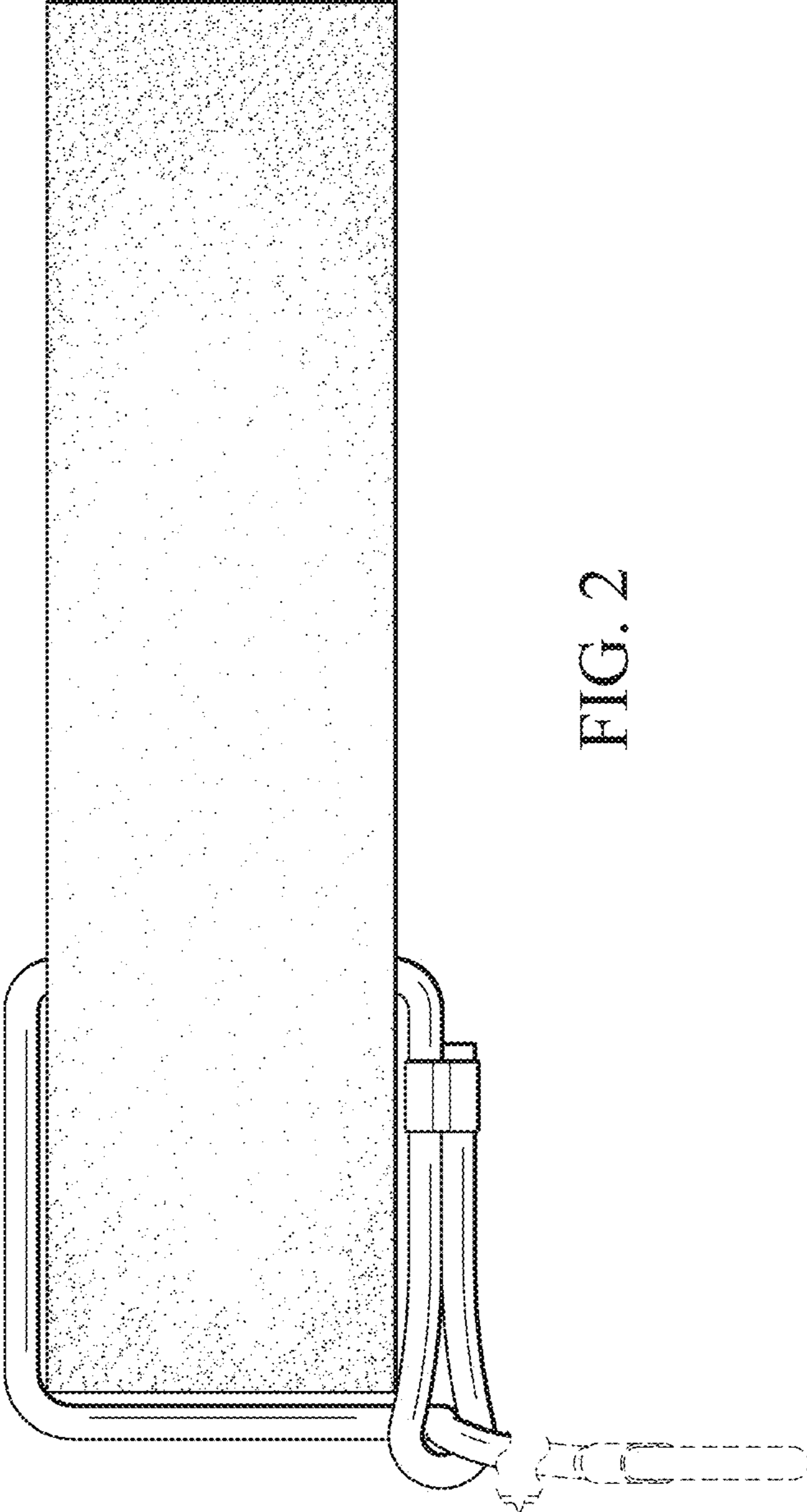


FIG. 2

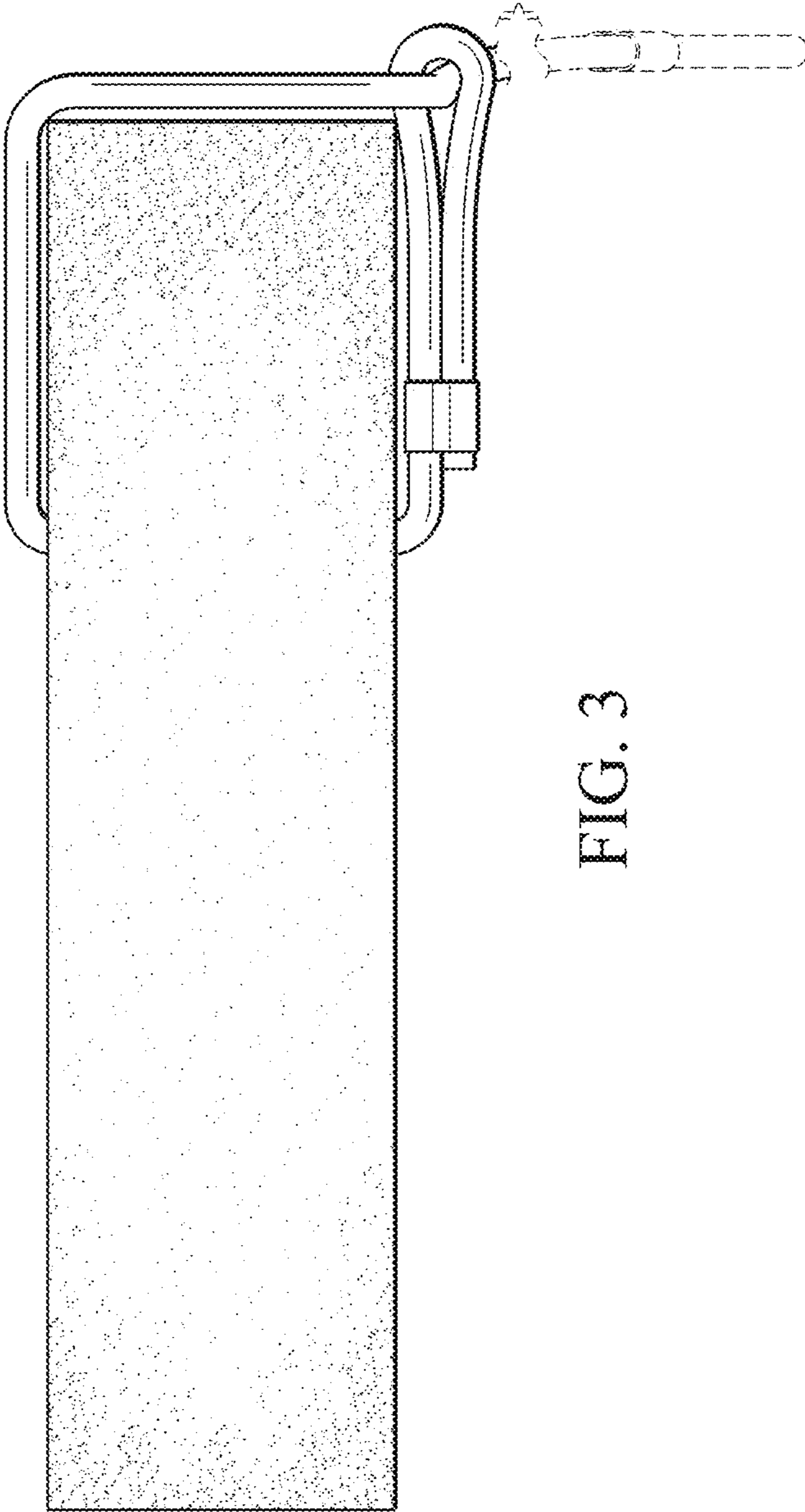


FIG. 3

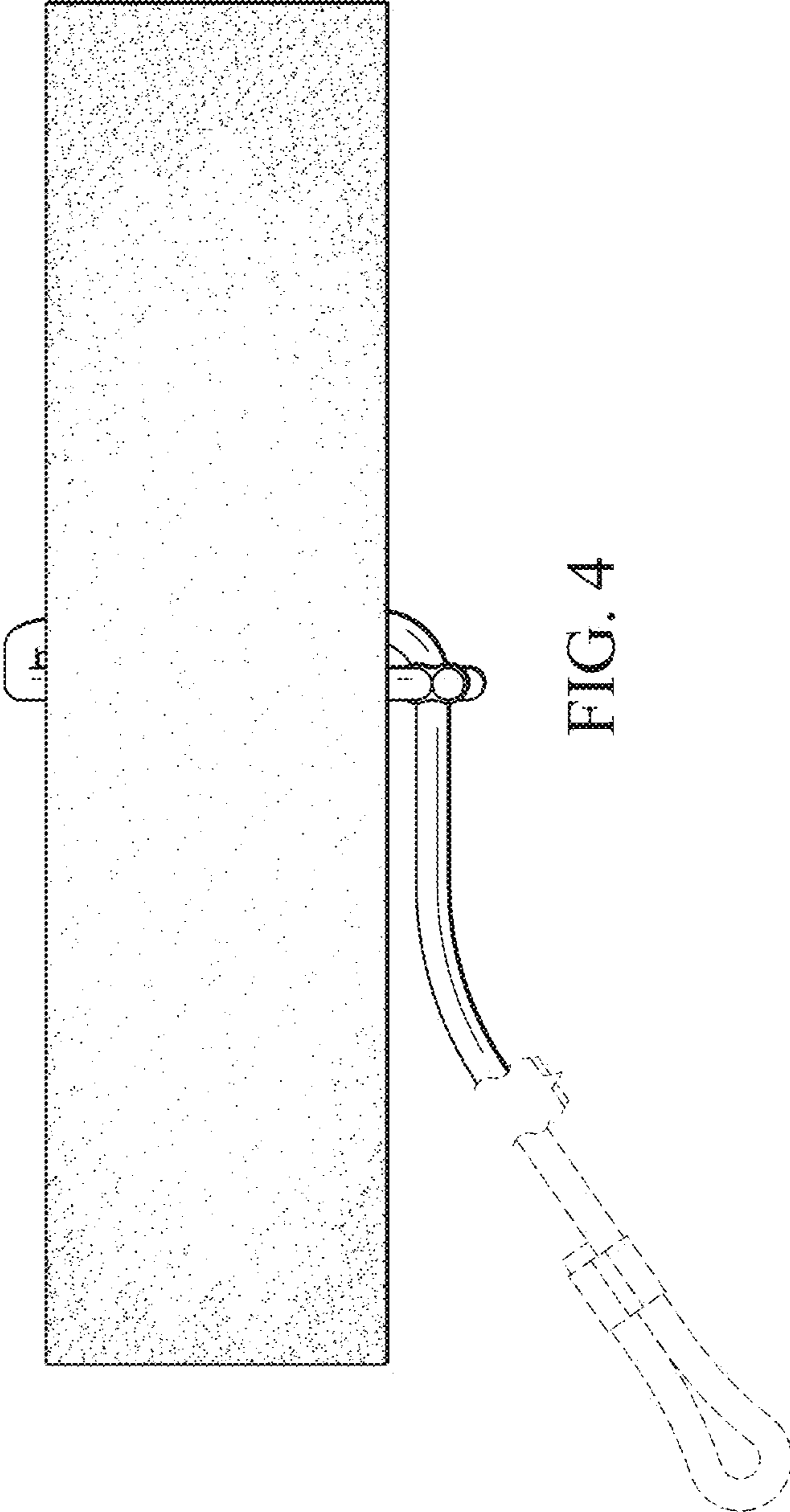
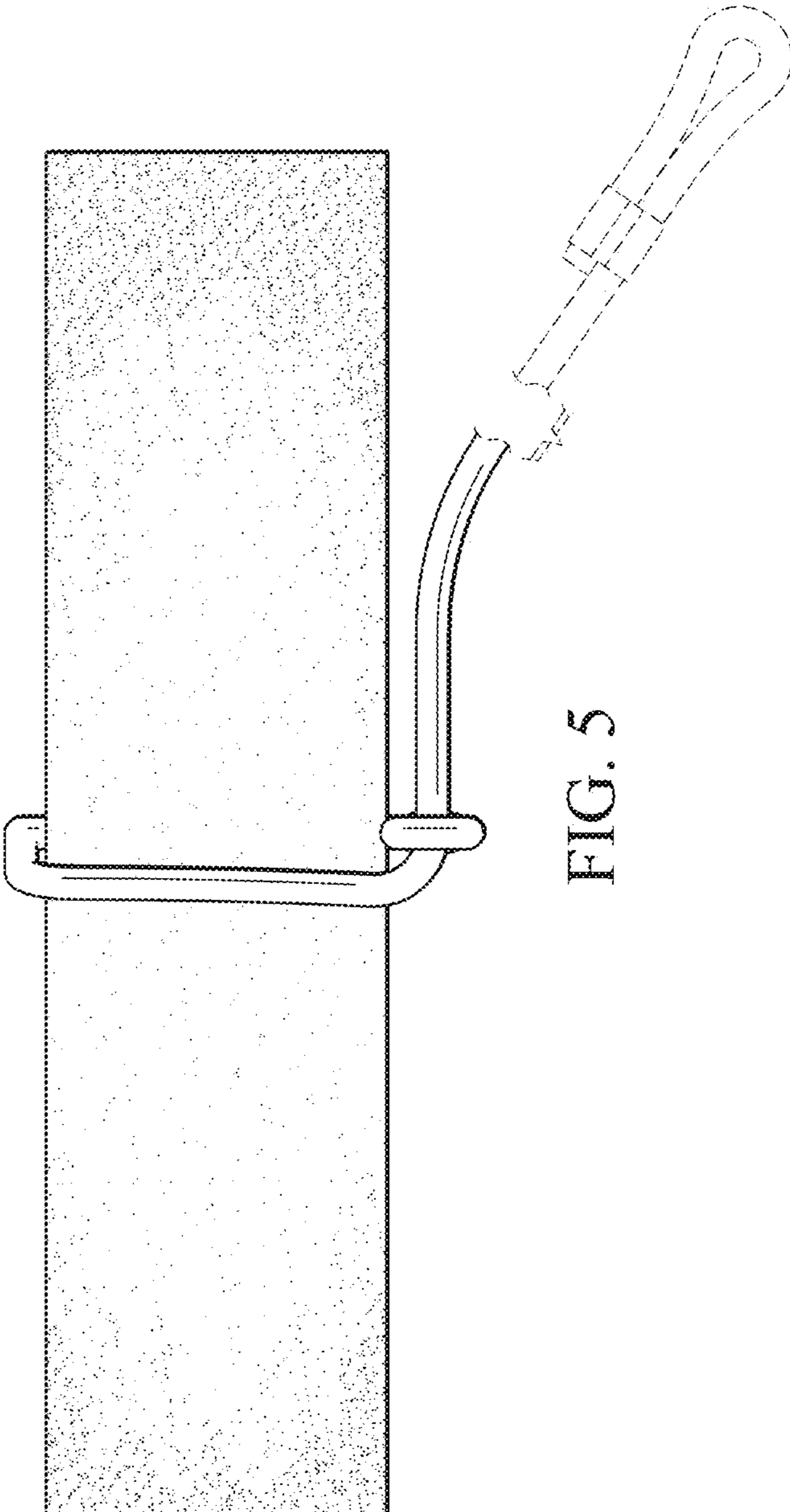


FIG. 4



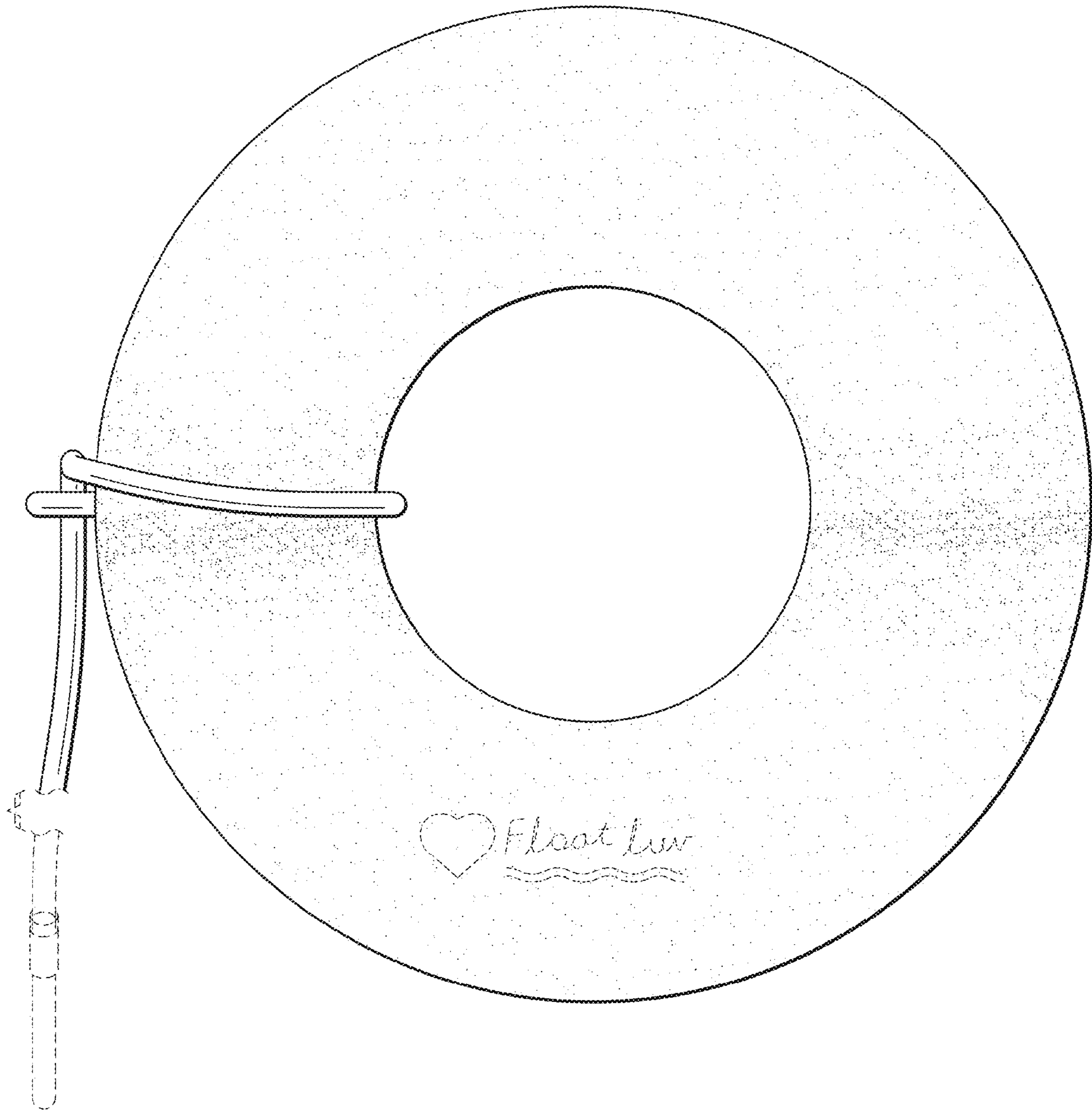


FIG. 6

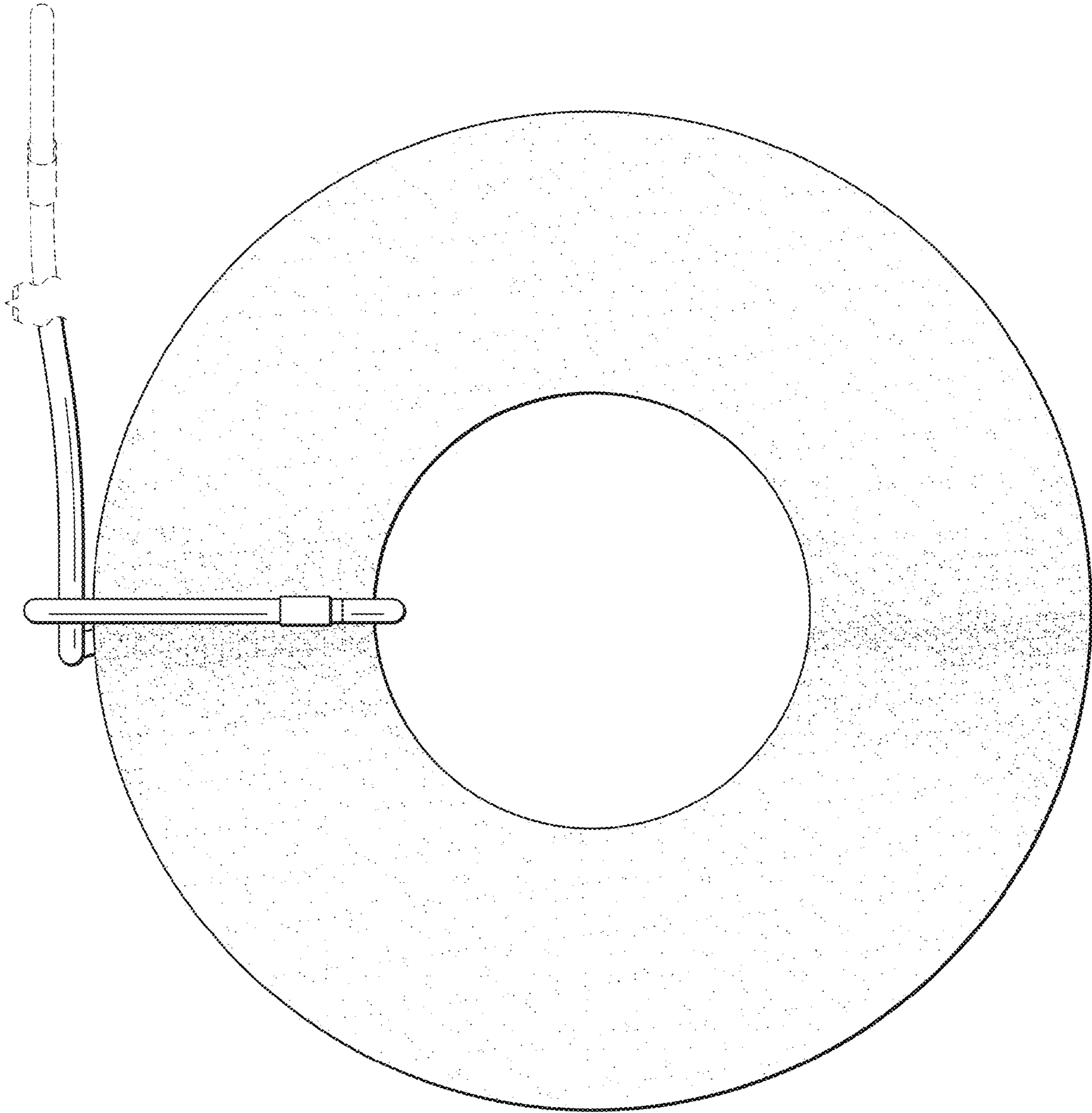


FIG. 7

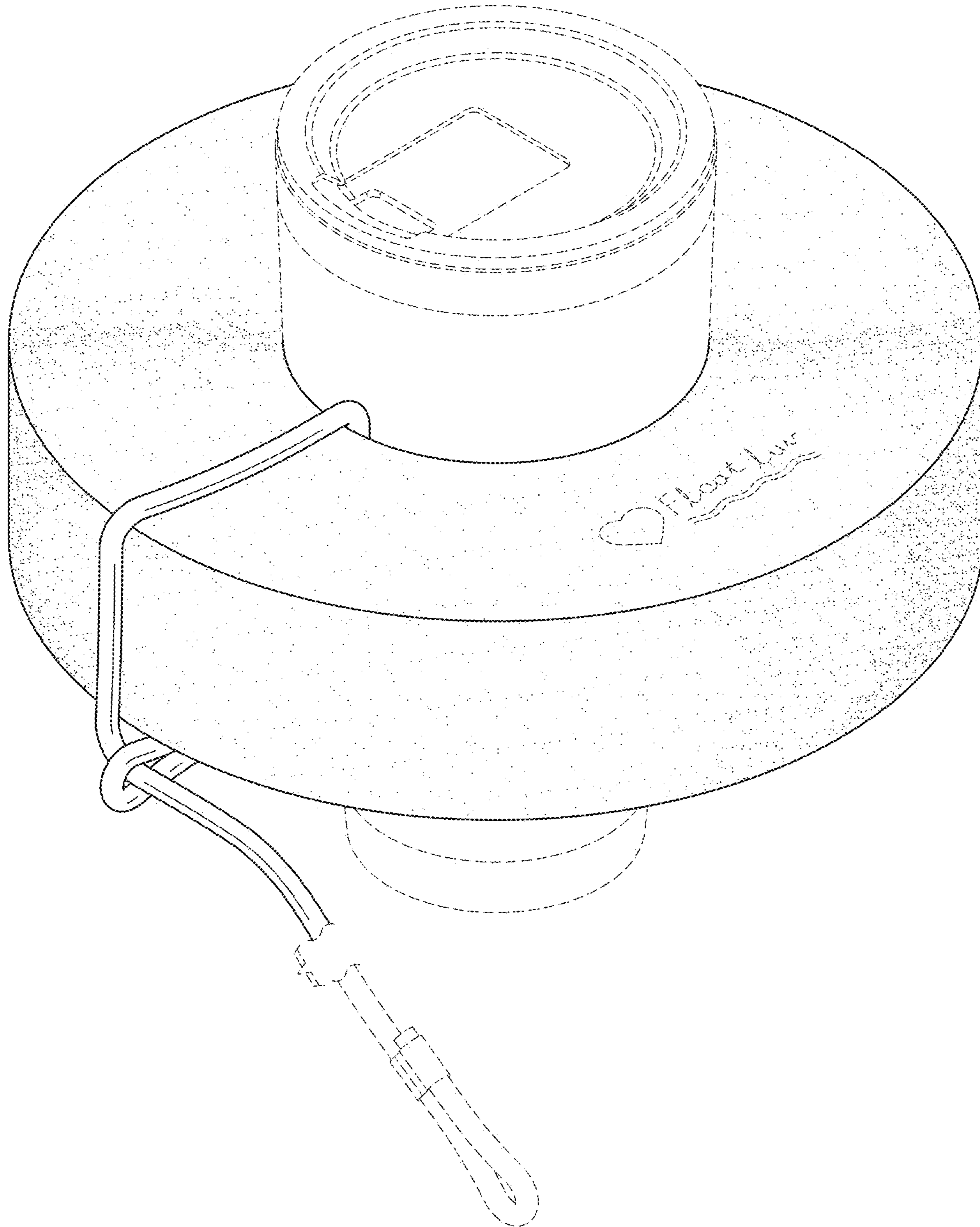


FIG. 8