



US0D1043253S

(12) **United States Design Patent** (10) **Patent No.:** **US D1,043,253 S**
Hamilton (45) **Date of Patent:** **** Sep. 24, 2024**

(54) **BEVERAGE CONTAINER**
(71) Applicant: **MAGNOLIA INTELLECTUAL
DESIGNS LLC**, Forney, TX (US)
(72) Inventor: **Mary Nicole Hamilton**, Heath, TX
(US)
(73) Assignee: **MAGNOLIA INTELLECTUAL
DESIGNS LLC**, Dallas, TX (US)

(**) Term: **15 Years**

(21) Appl. No.: **29/822,067**

(22) Filed: **Jan. 5, 2022**

(51) **LOC (14) Cl.** **07-01**

(52) **U.S. Cl.**
USPC **D7/536**; D7/510; D7/533

(58) **Field of Classification Search**
USPC D7/509, 543, 300, 396.2, 514, 619.1,
D7/622, 396.1, 608, 213, 510, 511, 523,
D7/533, 535, 536, 392.1, 600, 900;
D9/500, 516, 549, 443, 449; D3/202
CPC A63F 2009/0058; A47G 19/2205; A47G
21/18; A47G 19/22; A47G 19/2288; A47J
41/00; A47J 41/0077; B65D 1/40
See application file for complete search history.

(56) **References Cited**

U.S. PATENT DOCUMENTS

D373,051 S * 8/1996 Kramer D7/533
D386,948 S * 12/1997 Wissinger D7/533
5,918,761 A * 7/1999 Wissinger A47G 19/2288
220/592.17
D417,365 S * 12/1999 Huang D7/511
D427,853 S * 7/2000 Kohlhase D7/510
D433,877 S * 11/2000 Bickert D7/394
6,237,801 B1 * 5/2001 Liu A47G 19/2288
220/759
D472,425 S * 4/2003 Hurlbut D7/533
D539,609 S * 4/2007 Ying D7/533

D609,054 S * 2/2010 Gilbert D7/510
D659,474 S * 5/2012 Wahl D7/510
D808,218 S * 1/2018 Seiders D7/510
D813,605 S * 3/2018 Seiders D7/532
D814,870 S * 4/2018 Spivey D7/533
D821,151 S * 6/2018 Lapsker D7/511
D871,149 S * 12/2019 Kaiser D7/532

(Continued)

FOREIGN PATENT DOCUMENTS

CN 306693017 * 7/2021
GB 6152869 * 8/2021
KR 300884682.0000 * 12/2016

OTHER PUBLICATIONS

Stanley [online] URL: <https://www.amazon.com/Stanley-Stainless-Flowstate-Quencher-Tumbler/dp/B0CQVW7KQ2> (site visited: Jan. 11, 2024) (Year: 2023).*

(Continued)

Primary Examiner — Michael C Stout
Assistant Examiner — Tia Ruth-Renee Polidori
(74) *Attorney, Agent, or Firm* — Smith IP Services, P.C.

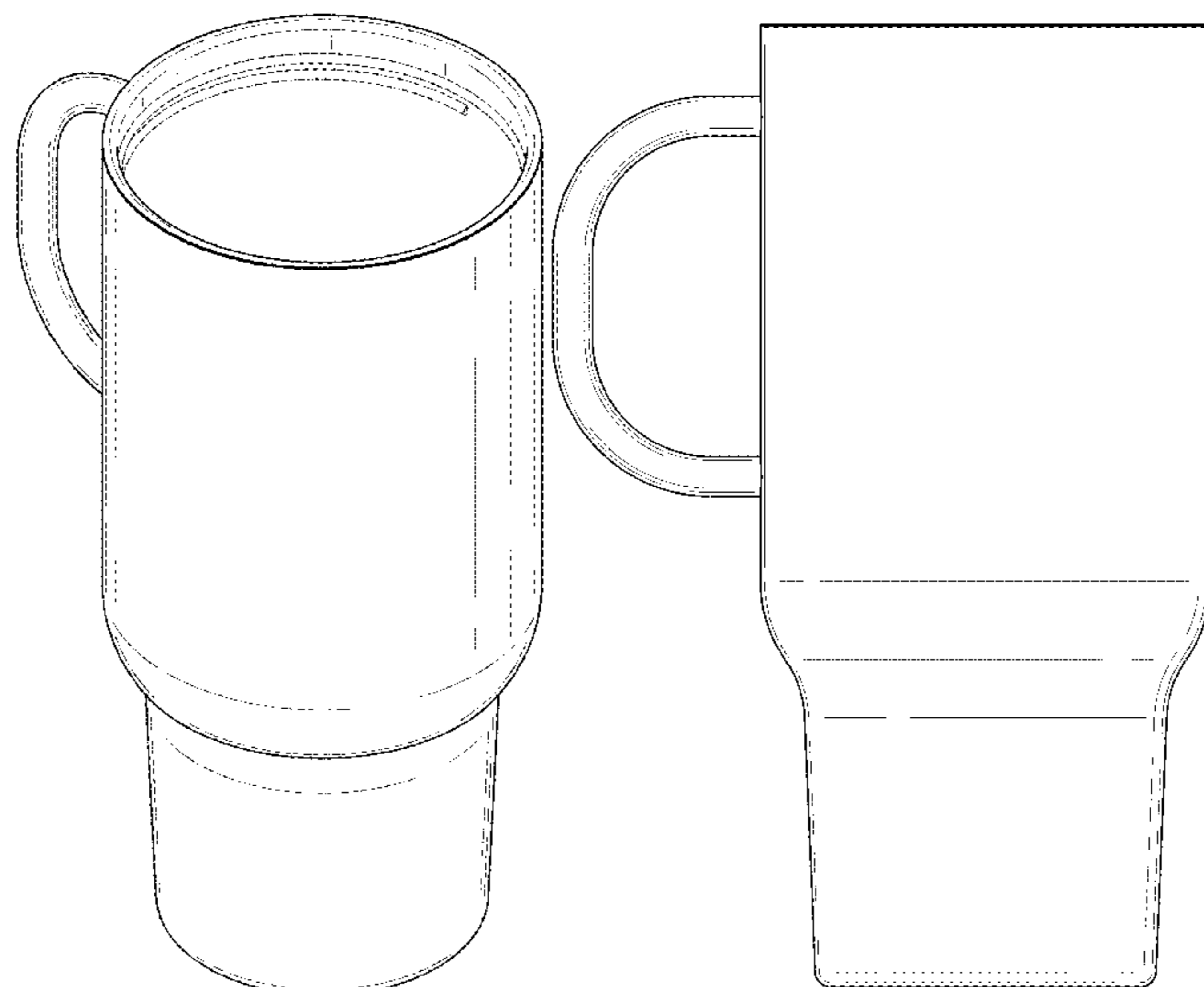
(57) **CLAIM**

The ornamental design for a beverage container, as shown and described.

DESCRIPTION

FIG. 1 is a front perspective view of my new design for a beverage container;
FIG. 2 is a rear elevational view thereof;
FIG. 3 is a front elevational view thereof;
FIG. 4 is a right side elevational view thereof, the left side elevational view being a mirror image;
FIG. 5 is a top plan view thereof; and,
FIG. 6 is a bottom plan view thereof.
The portions of the beverage container shown in broken lines form no part of the claimed design.

1 Claim, 5 Drawing Sheets



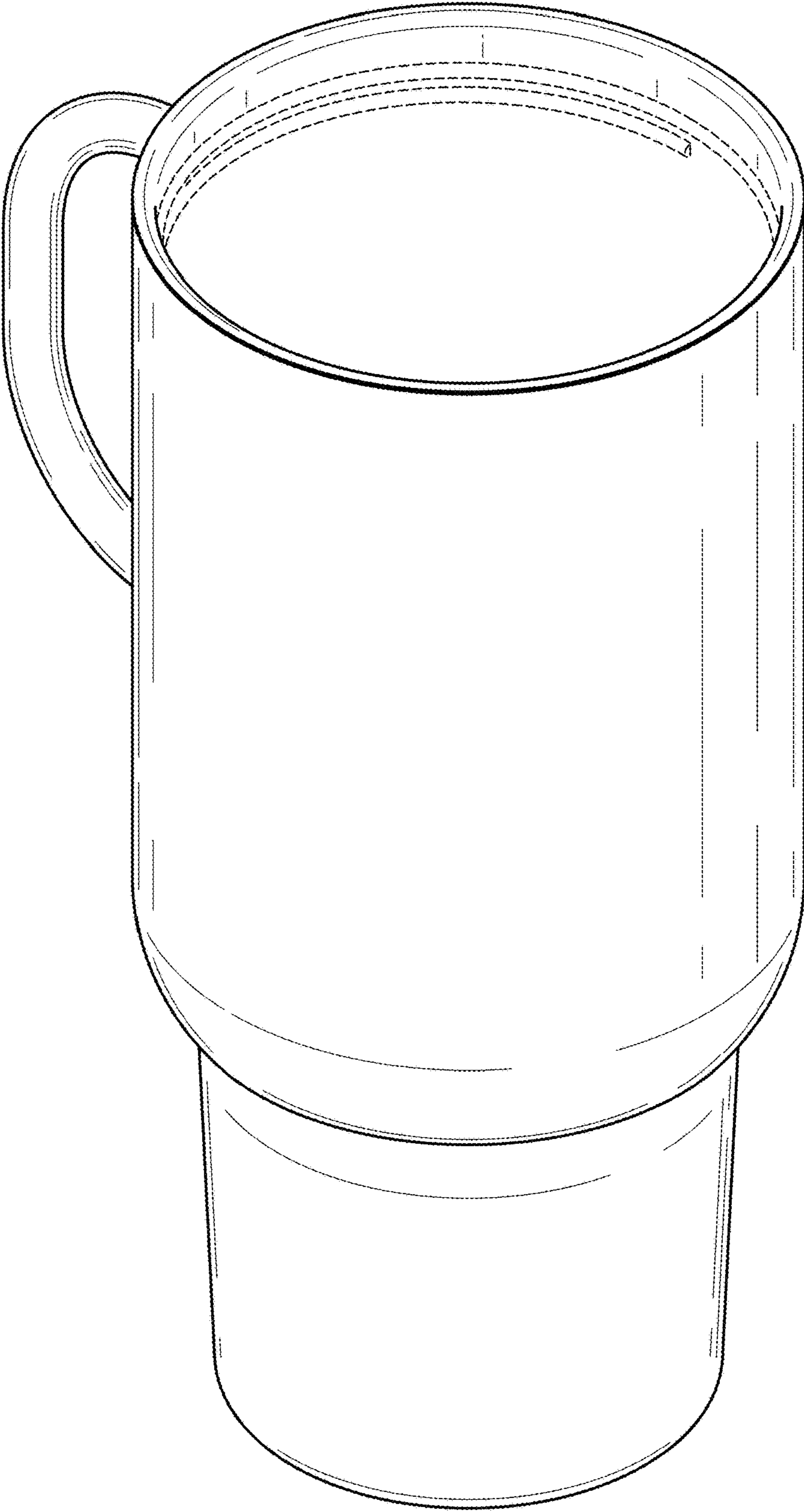


FIG. 1

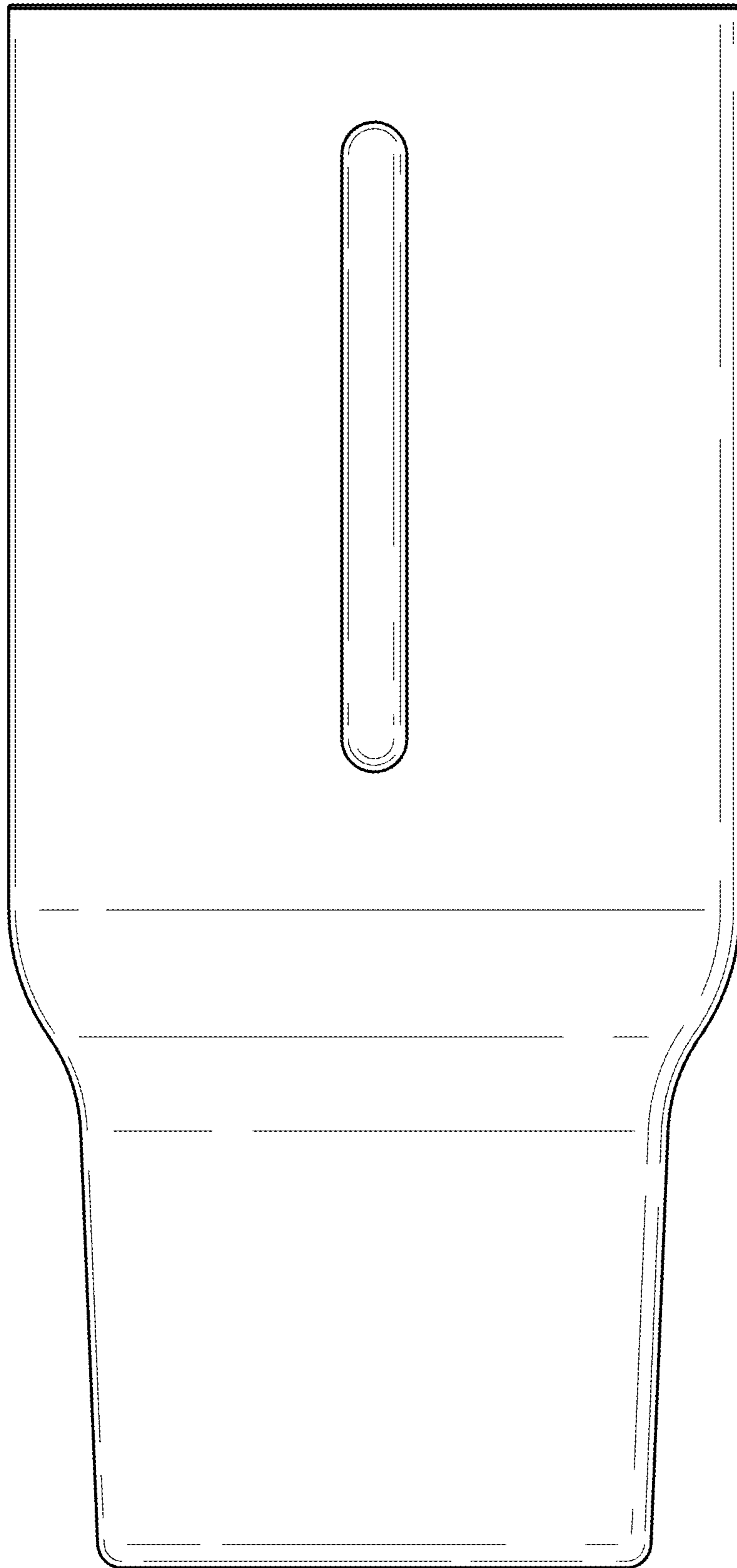


FIG.2

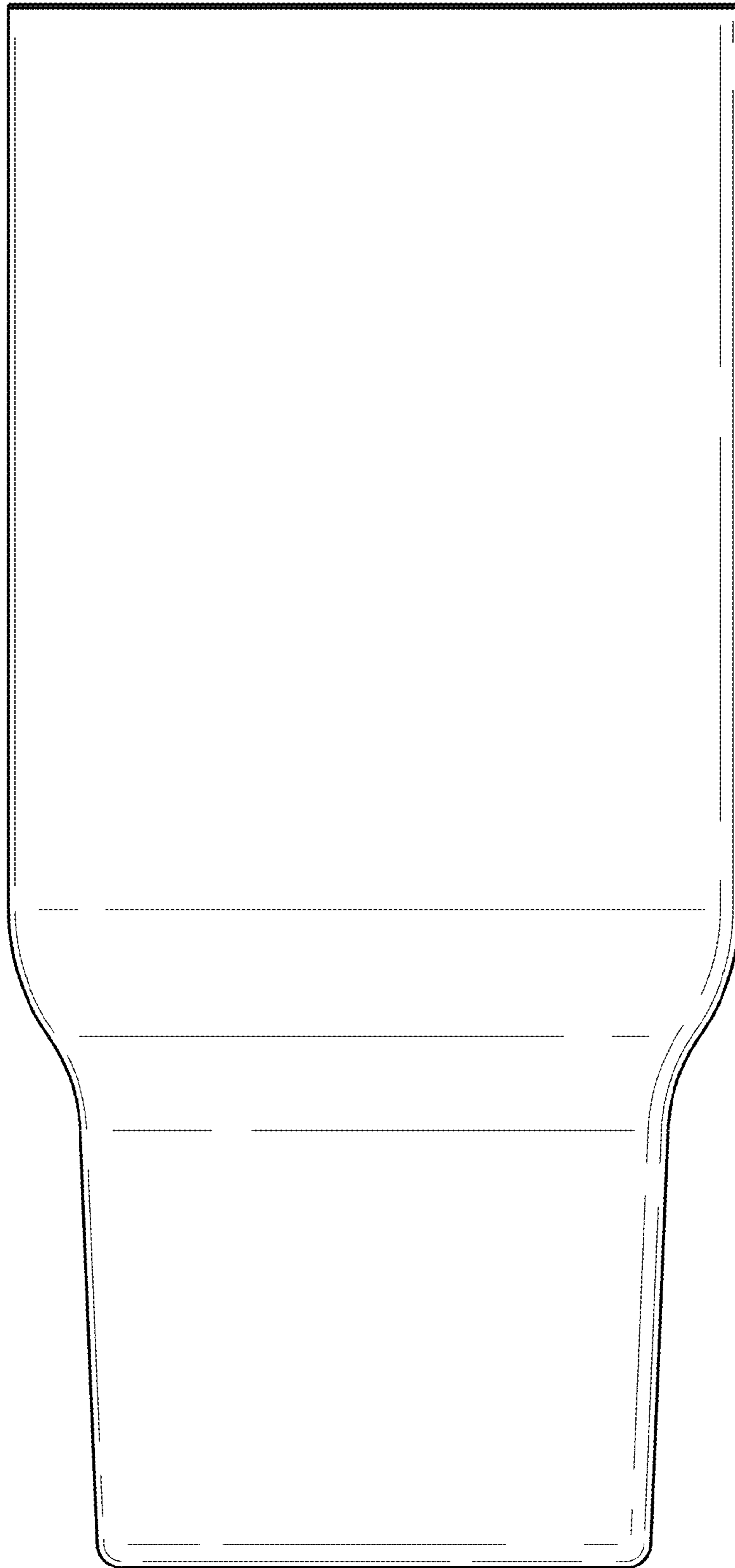


FIG.3

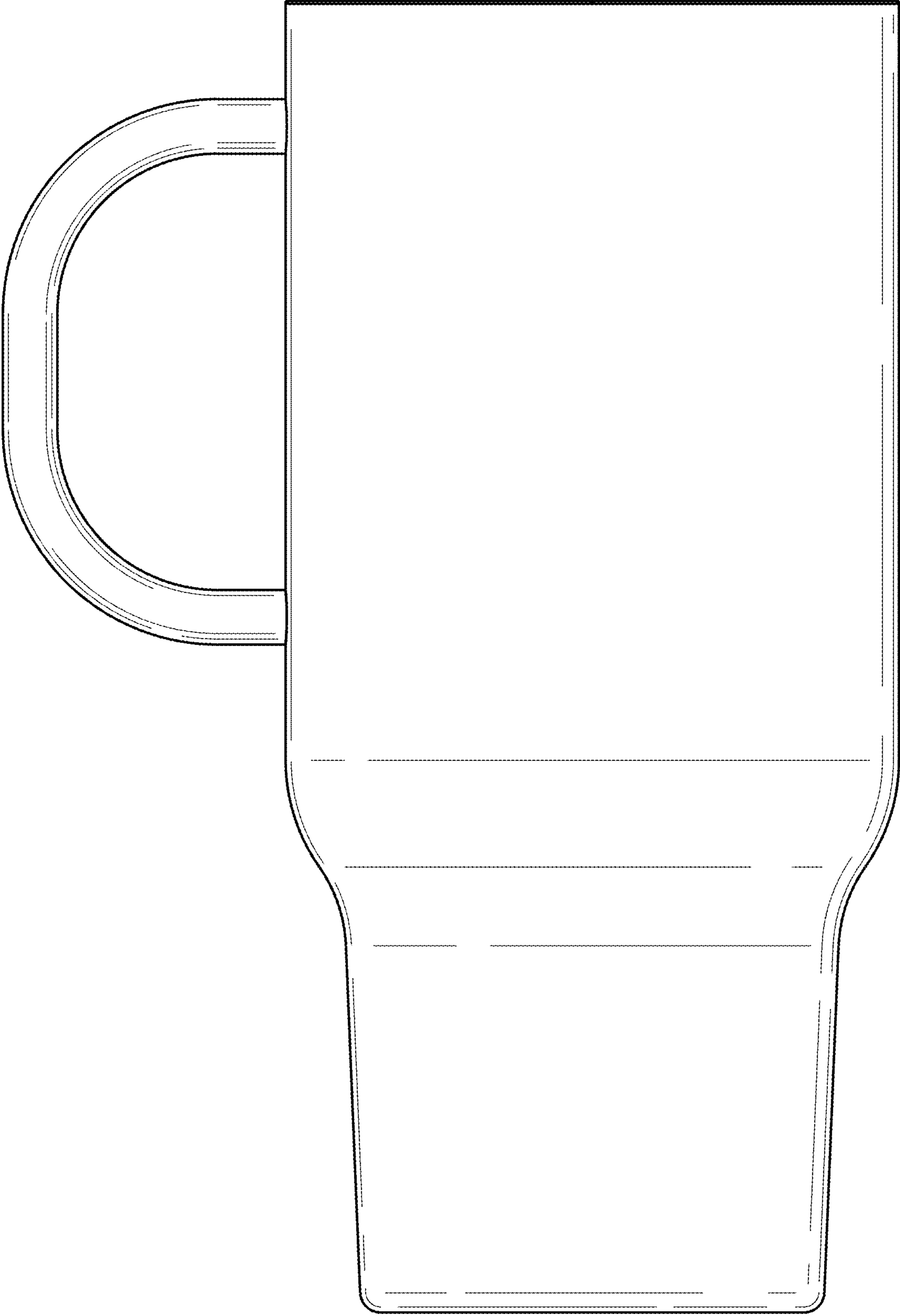


FIG.4

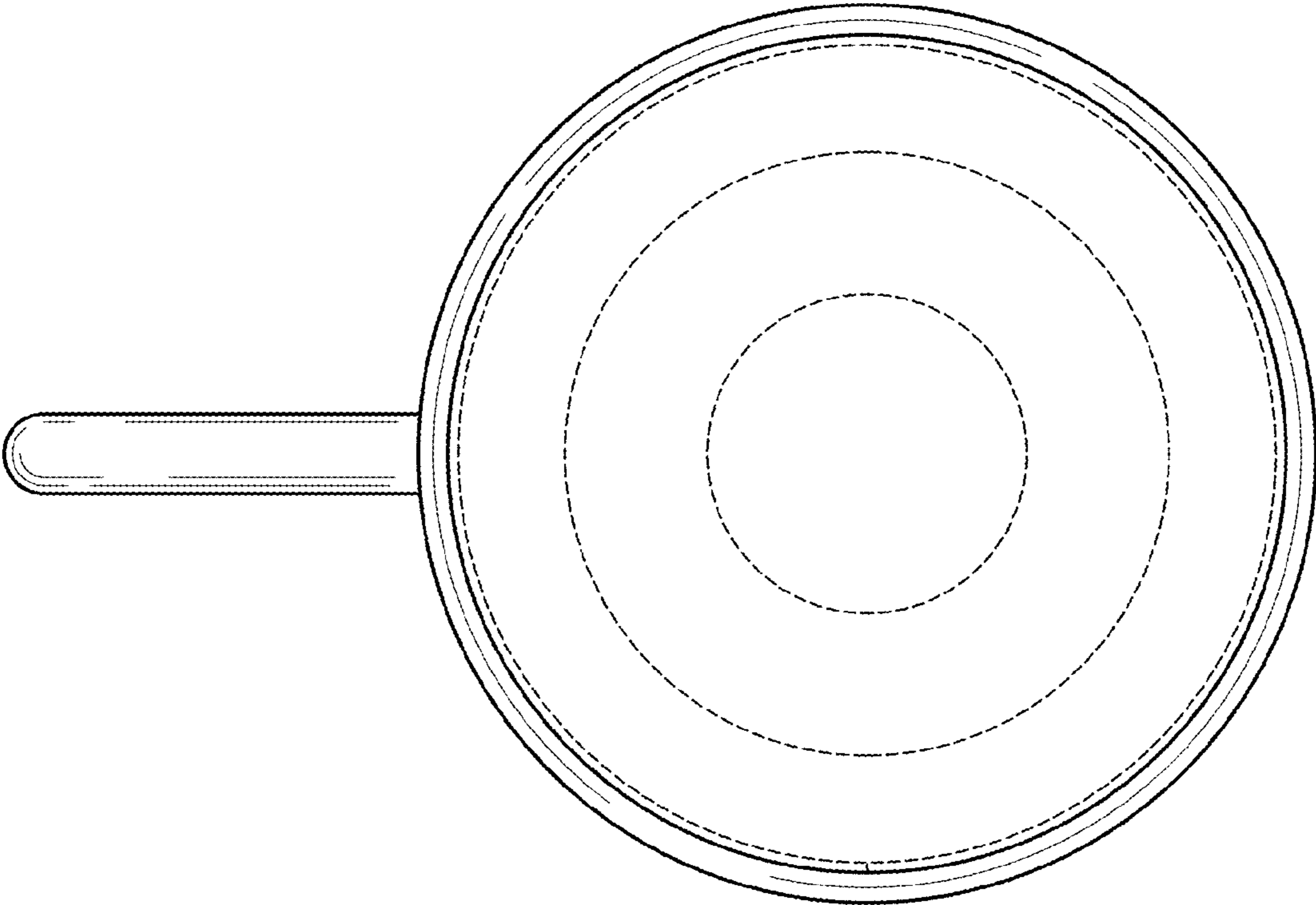


FIG. 5

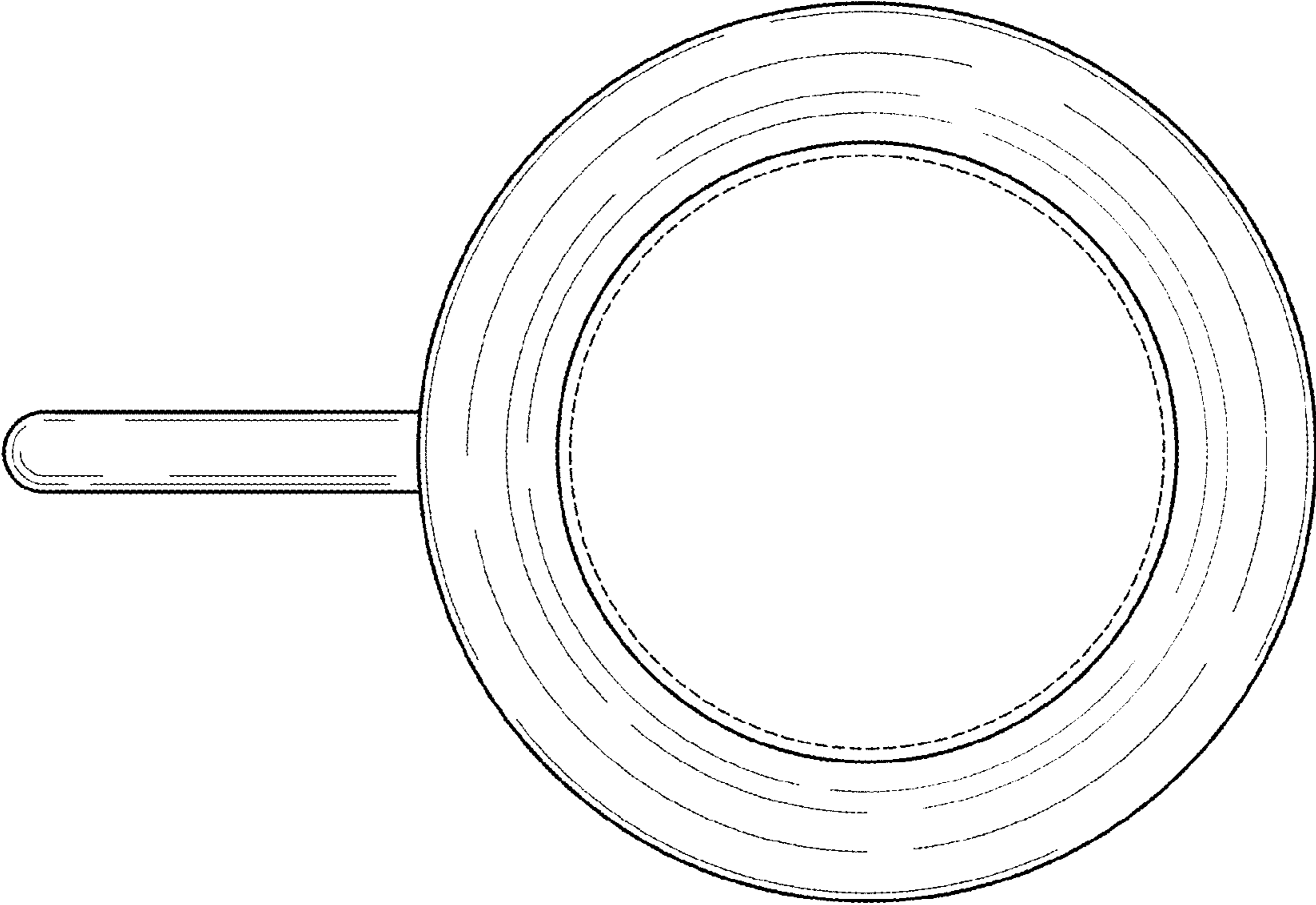


FIG. 6