



US0D1043004S

(12) **United States Design Patent** (10) **Patent No.:** **US D1,043,004 S**
Chattell (45) **Date of Patent:** **** Sep. 17, 2024**

(54) **DUST EXTRACTOR**

(71) Applicant: **RVT Group Limited**, Dartford (GB)

(72) Inventor: **Tim Chattell**, Dartford (GB)

(73) Assignee: **RVT GROUP LIMITED**, Dartford (GB)

(**) Term: **15 Years**

(21) Appl. No.: **29/783,295**

(22) Filed: **May 12, 2021**

(30) **Foreign Application Priority Data**

Nov. 12, 2020 (EM) 008266431-0001
Nov. 12, 2020 (EM) 008266431-0002
Nov. 12, 2020 (EM) 008266431-0003

(51) **LOC (14) Cl.** **15-05**

(52) **U.S. Cl.**
USPC **D32/21**

(58) **Field of Classification Search**
USPC D32/15, 17-21, 23, 24, 31-34
CPC A47L 7/0071; A47L 9/1683; A47L 5/00;
A47L 5/02; A47L 5/12; A47L 5/36; A47L
5/365; A47L 7/0047; A47L 7/0095; A47L
9/122; A47L 9/1691

See application file for complete search history.

(56) **References Cited**

U.S. PATENT DOCUMENTS

D206,574 S * 1/1967 Cook D32/24
3,599,272 A * 8/1971 Merrick A47L 11/4075
15/396
D227,694 S * 7/1973 Haynes D32/24
D235,409 S * 6/1975 Mims D32/21
D235,726 S * 7/1975 Williams D32/24

(Continued)

OTHER PUBLICATIONS

Dustex DustMaster Pro—RVT Group (online), dated Oct. 24, 2020. Retrieved from Internet Sep. 5, 2023, URL: <https://web.archive.org/web/20201024004813/https://rvtgroup.co.uk/hire-equipment/dust/dustex-dustmaster-pro> (2 pages) (Year: 2020).*

Primary Examiner — Kimberly Barnes

(74) *Attorney, Agent, or Firm* — Fredrikson & Byron, P.A.

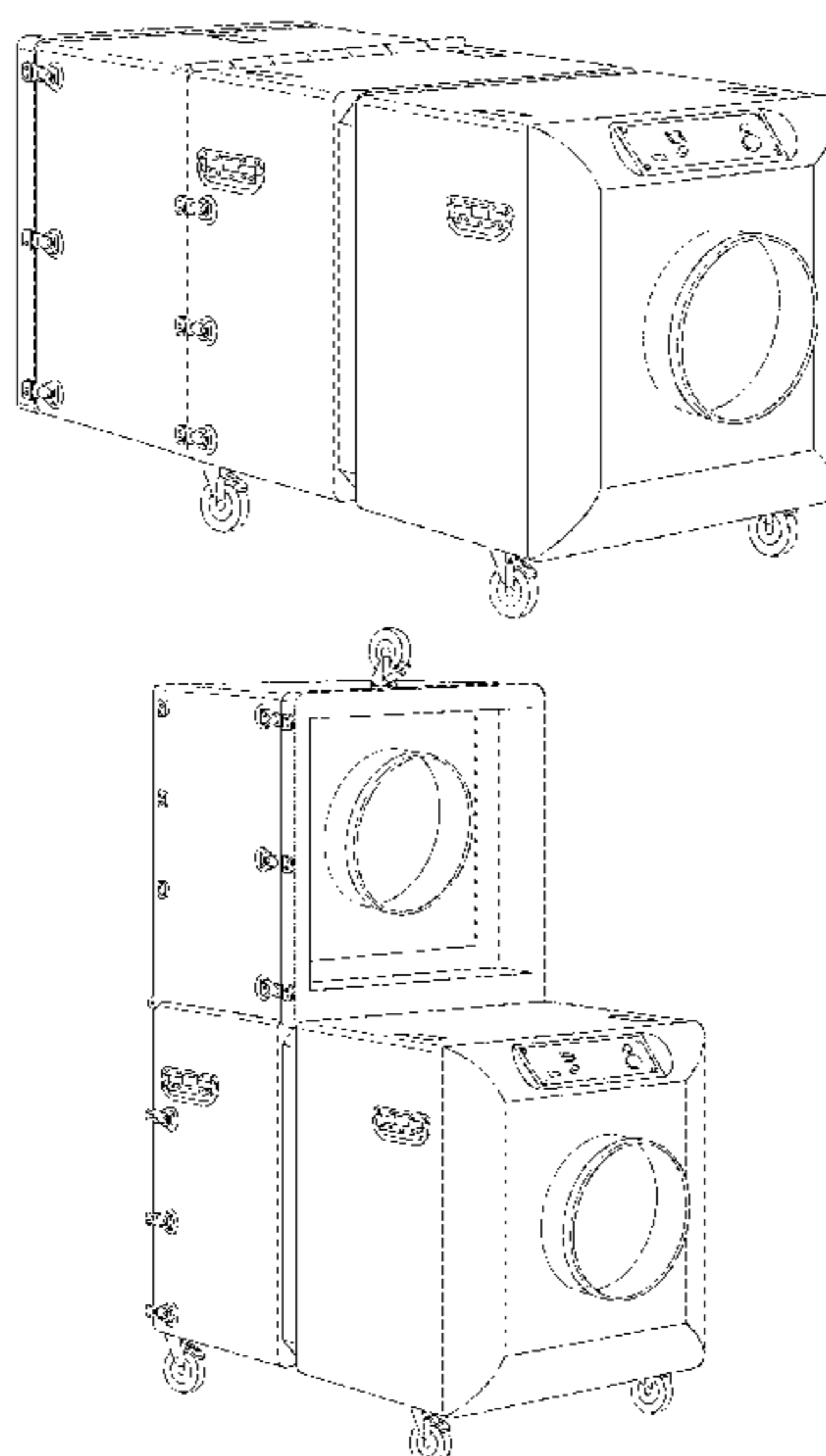
(57) **CLAIM**

Applicant claims the ornamental design for a dust extractor, as shown and described.

DESCRIPTION

FIG. 1 is a first side elevational view of a dust extractor of Applicant's design in a first position;
FIG. 2 is a second side elevational view thereof, the second side being opposite the first side;
FIG. 3 is a third side elevational view thereof;
FIG. 4 is a fourth side elevational view thereof, the fourth side being opposite the third side;
FIG. 5 is a top plan view thereof;
FIG. 6 is a perspective view thereof;
FIG. 7 is a first side elevational view of the dust extractor of Applicant's design in a second position whereby a portion is pivoted relative to that shown for the first position;
FIG. 8 is a second side elevational view thereof in the second position, the second side being opposite the first side;
FIG. 9 is a third side elevational view thereof in the second position;
FIG. 10 is a fourth side elevational view thereof in the second position, the fourth side being opposite the third side;
FIG. 11 is a top plan view thereof in the second position; and,
FIG. 12 is a perspective view thereof in the second position. The broken lines depict portions of the dust extractor that form no part of the claimed design.

1 Claim, 8 Drawing Sheets



(56)

References Cited

U.S. PATENT DOCUMENTS

D254,788	S *	4/1980	Nauta	D32/21
D257,774	S *	1/1981	Pierson	D32/21
D258,132	S *	2/1981	Levy	D32/21
D274,851	S *	7/1984	Schmitz	D32/15
D281,632	S *	12/1985	Yang	D32/15
D293,950	S *	1/1988	Ogden	D32/21
D302,613	S *	8/1989	Gurstein	D32/21
4,941,230	A *	7/1990	Lamore	A47L 5/365
				15/314
D316,447	S *	4/1991	Woodson	D23/365
D403,476	S *	12/1998	Vaughan	D32/21
6,521,051	B1 *	2/2003	Lutich	A47L 7/0038
				134/21
D563,064	S *	2/2008	Vezina	D32/24
D668,409	S *	10/2012	Witter	D32/31
D674,474	S *	1/2013	Rentschler	D23/364
D685,402	S *	7/2013	Cappuccio	D15/138
D740,501	S *	10/2015	Taylor	D32/16
D815,375	S *	4/2018	Cheng	D32/21
D912,339	S *	3/2021	Philippron	D32/15
11,969,684	B2 *	4/2024	Chattell	B01D 46/0004
2005/0193517	A1 *	9/2005	Svoboda	A47L 9/242
				15/340.1
2013/0074460	A1 *	3/2013	Sakuragi	B01D 46/42
				55/471

* cited by examiner

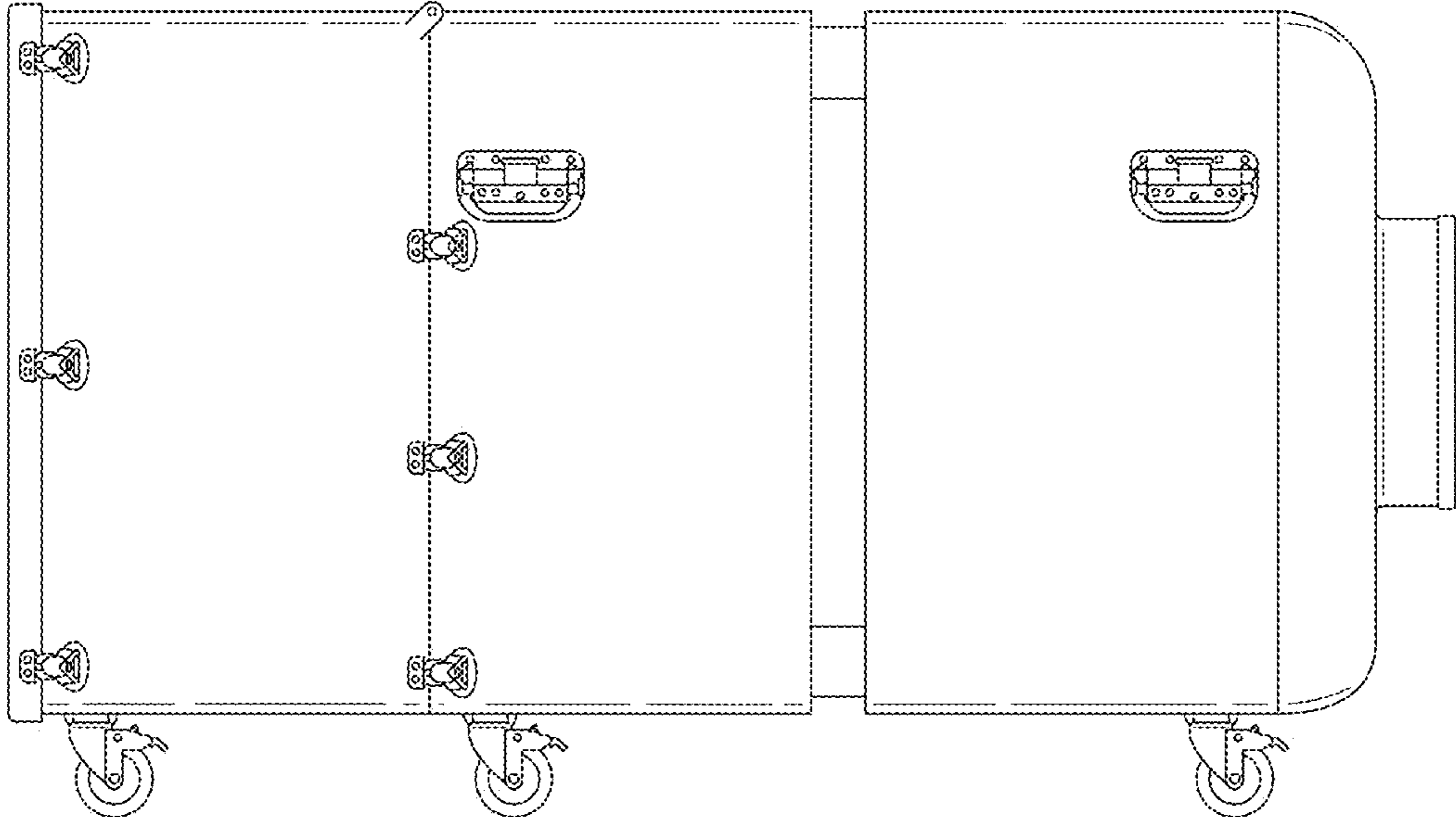


FIG. 1

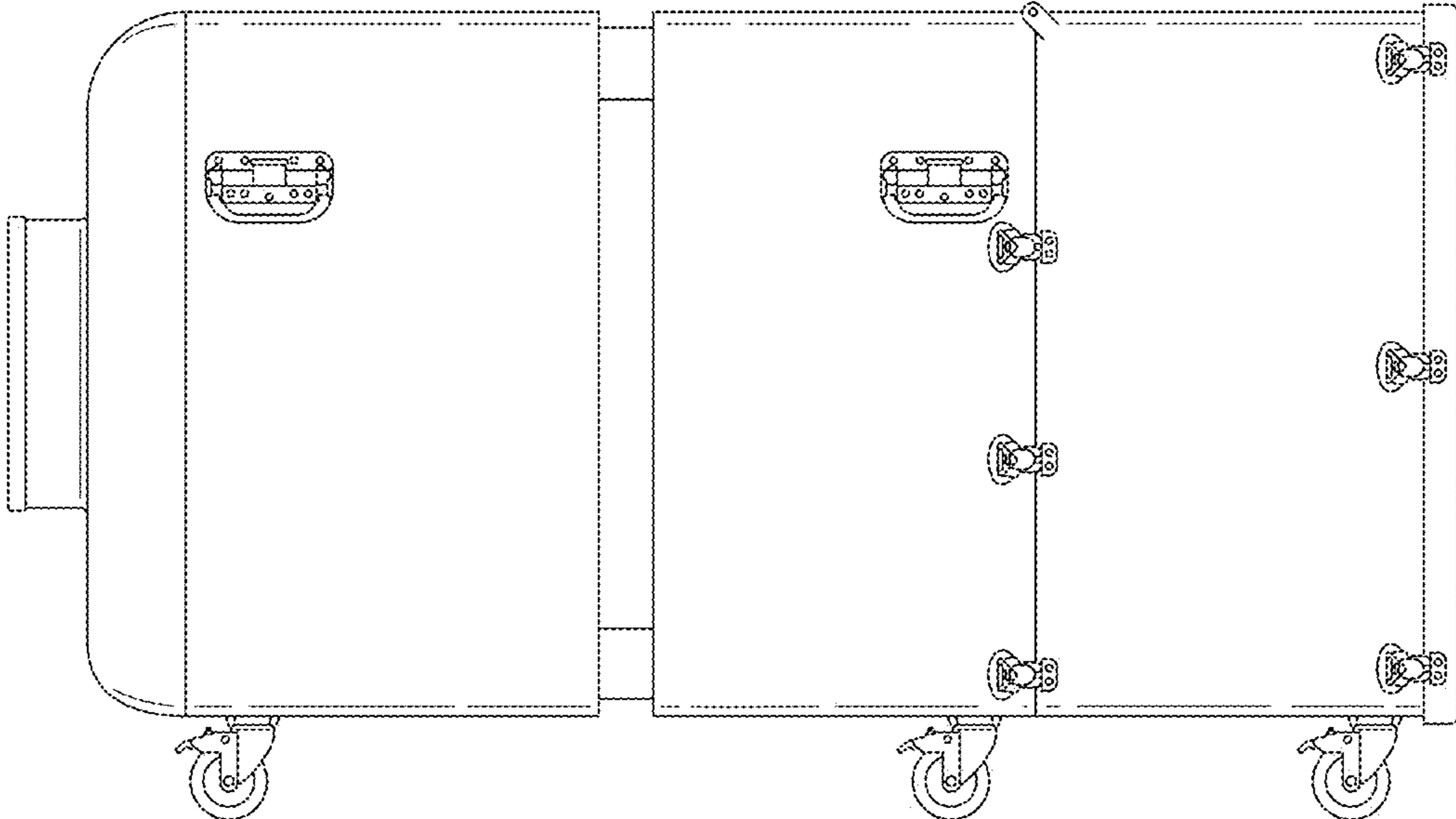


FIG. 2

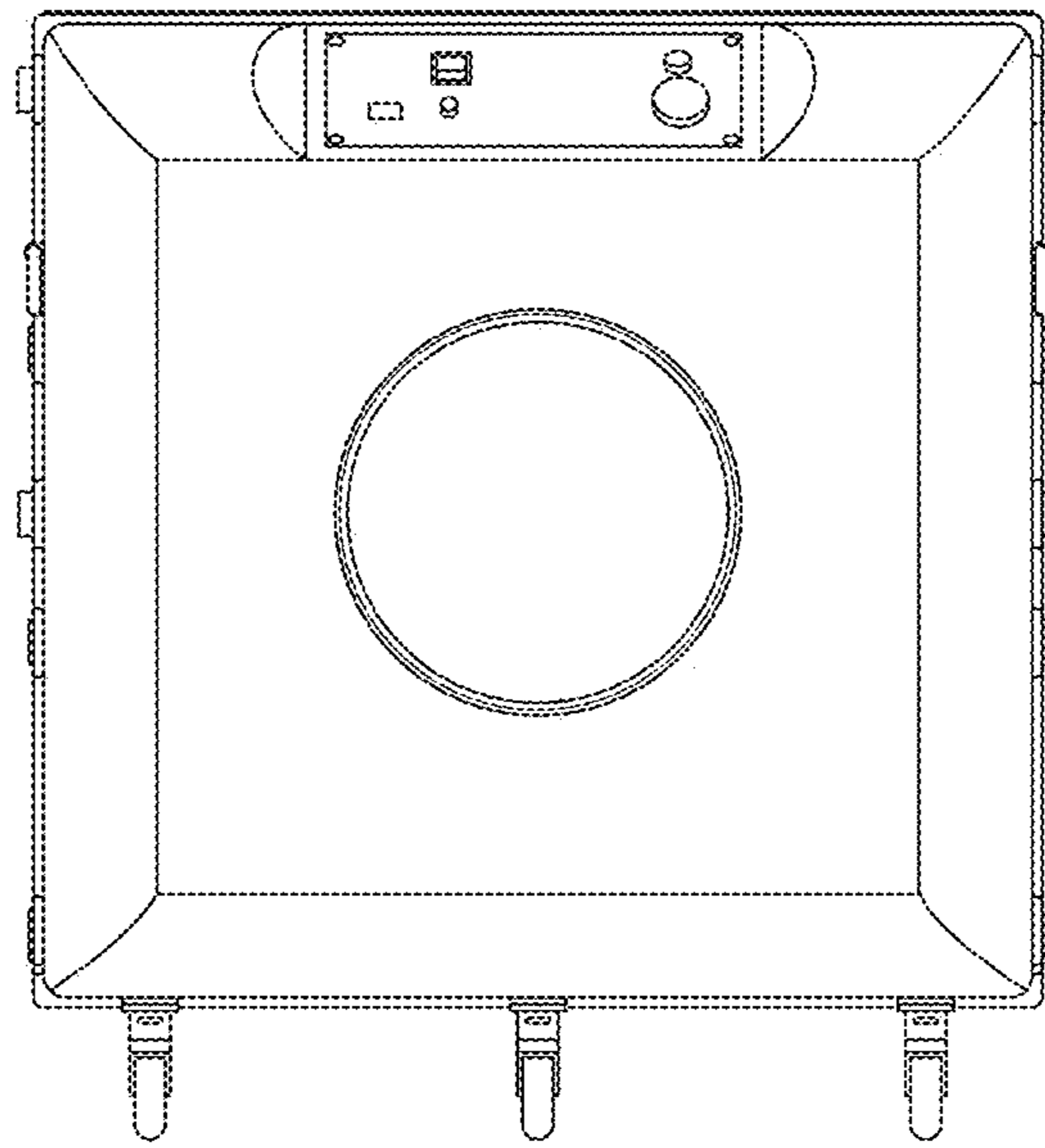


FIG. 3

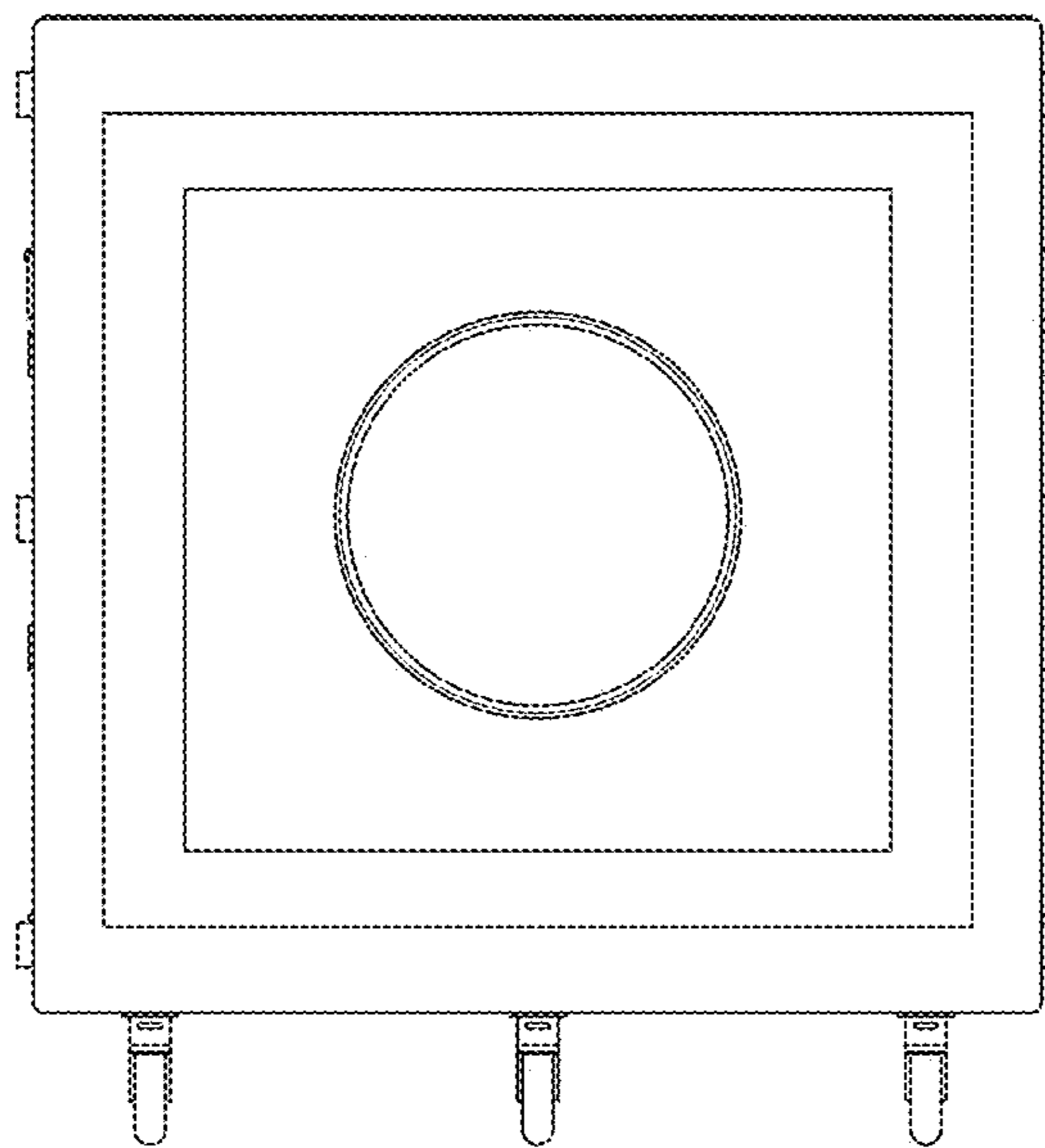


FIG. 4

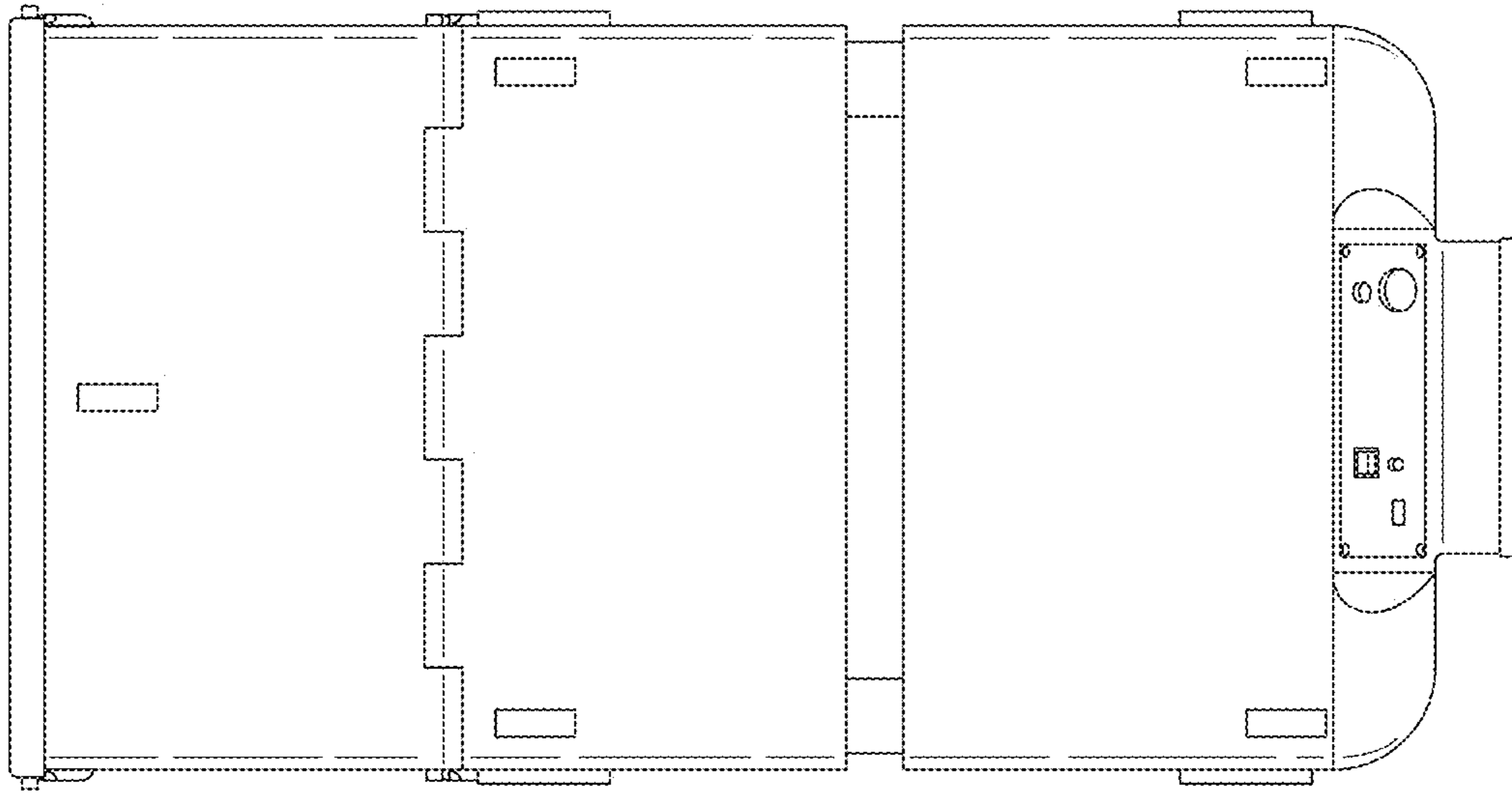


FIG. 5

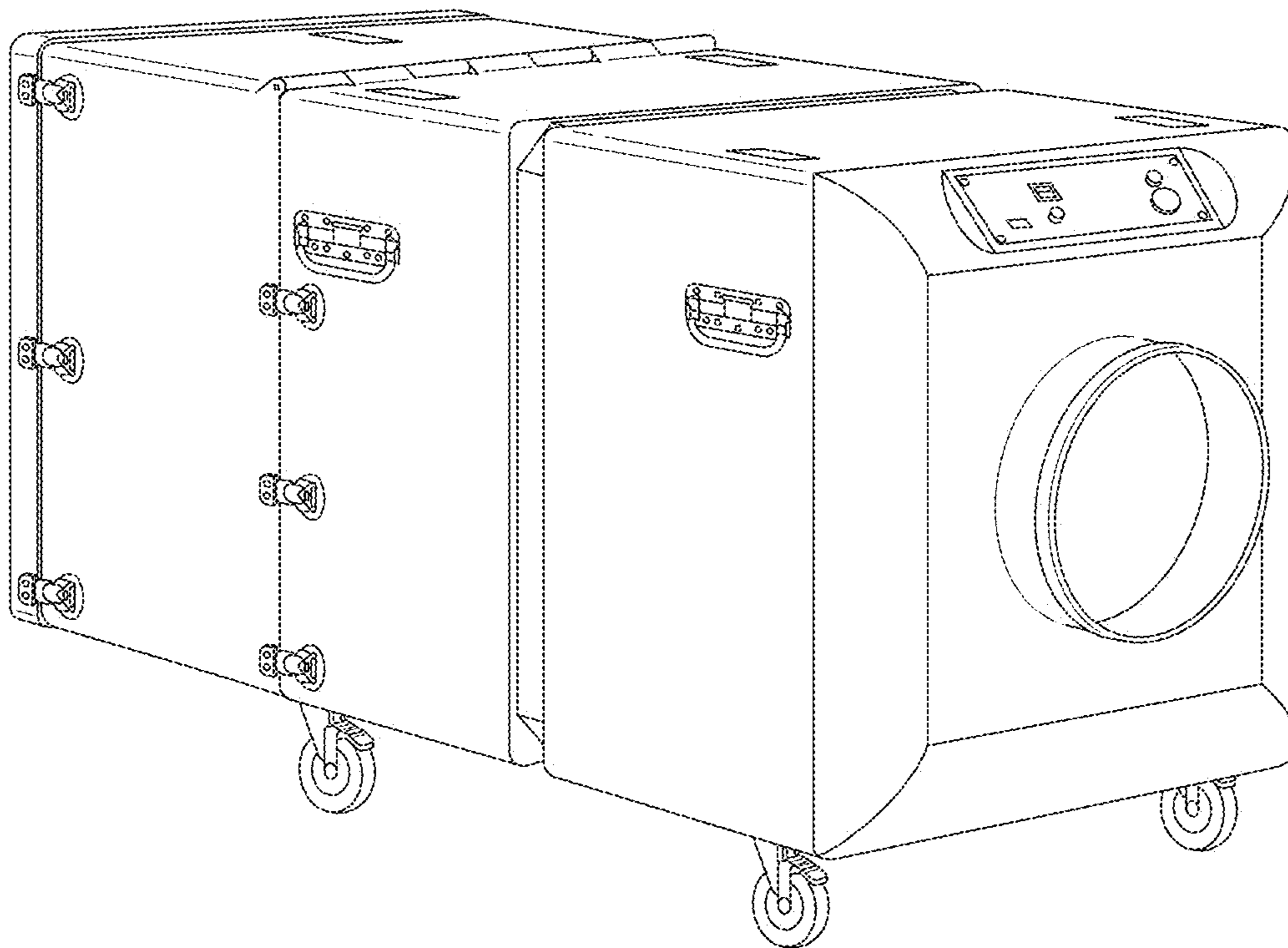


FIG. 6

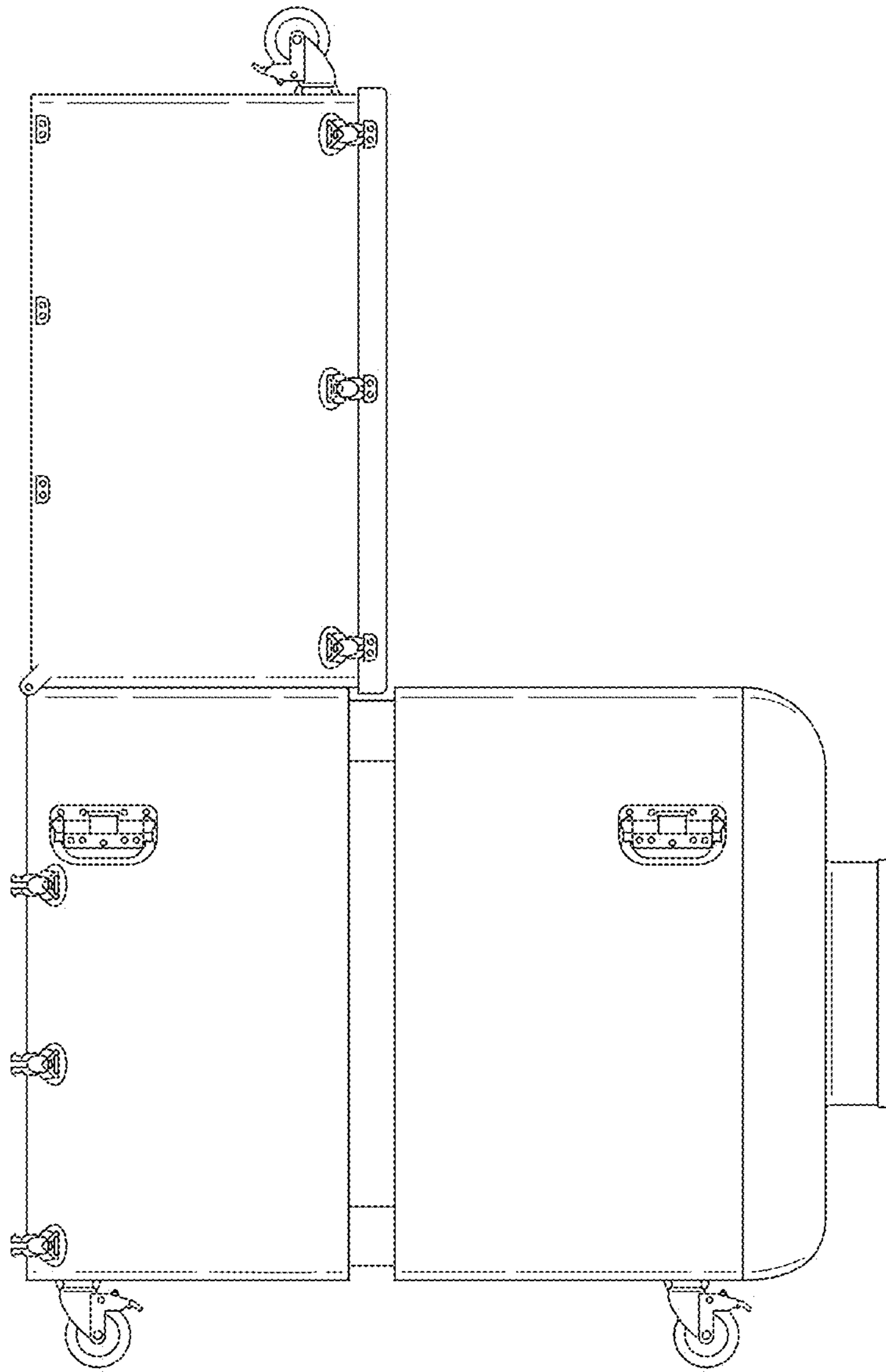


FIG. 7

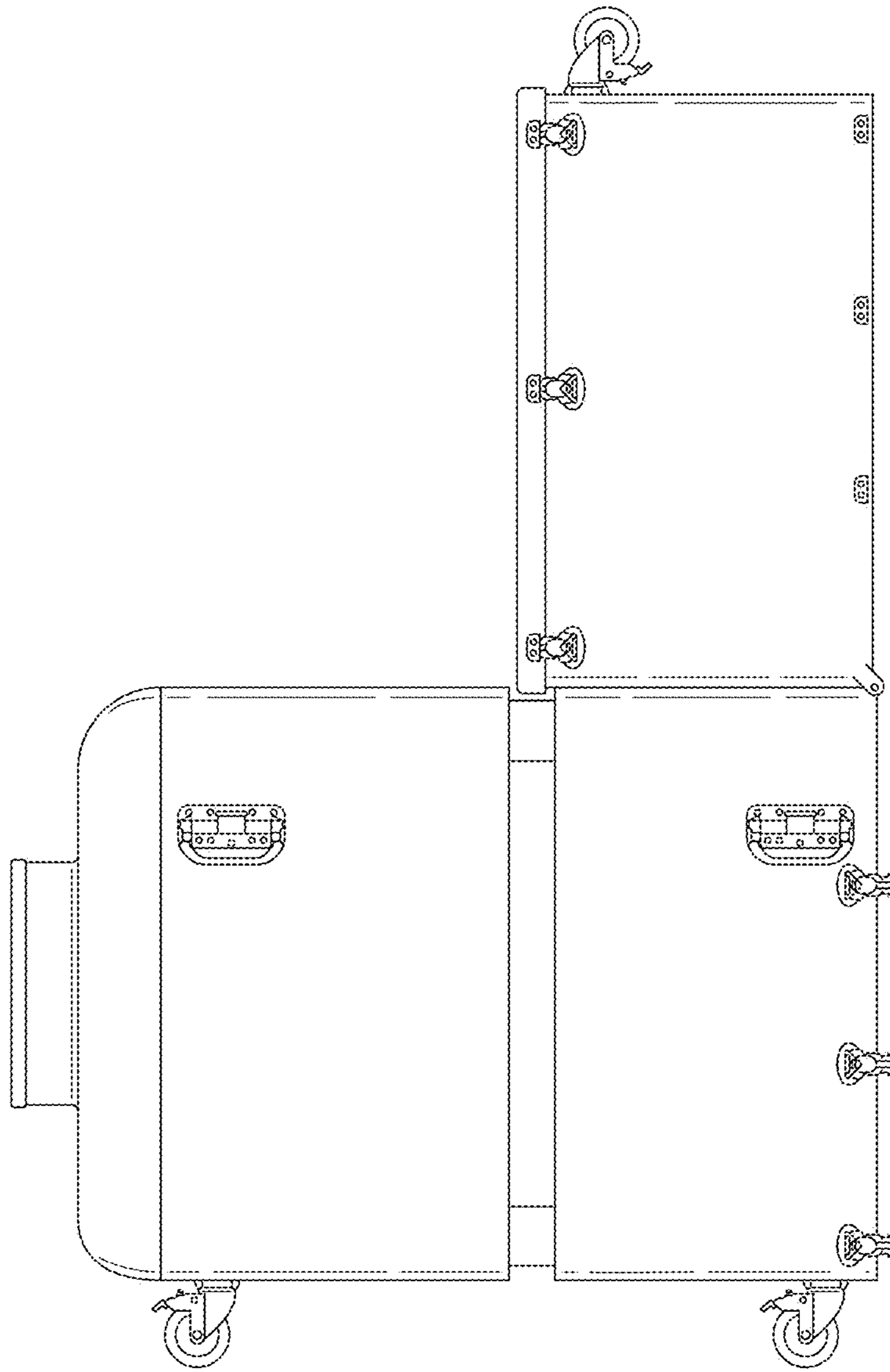


FIG. 8

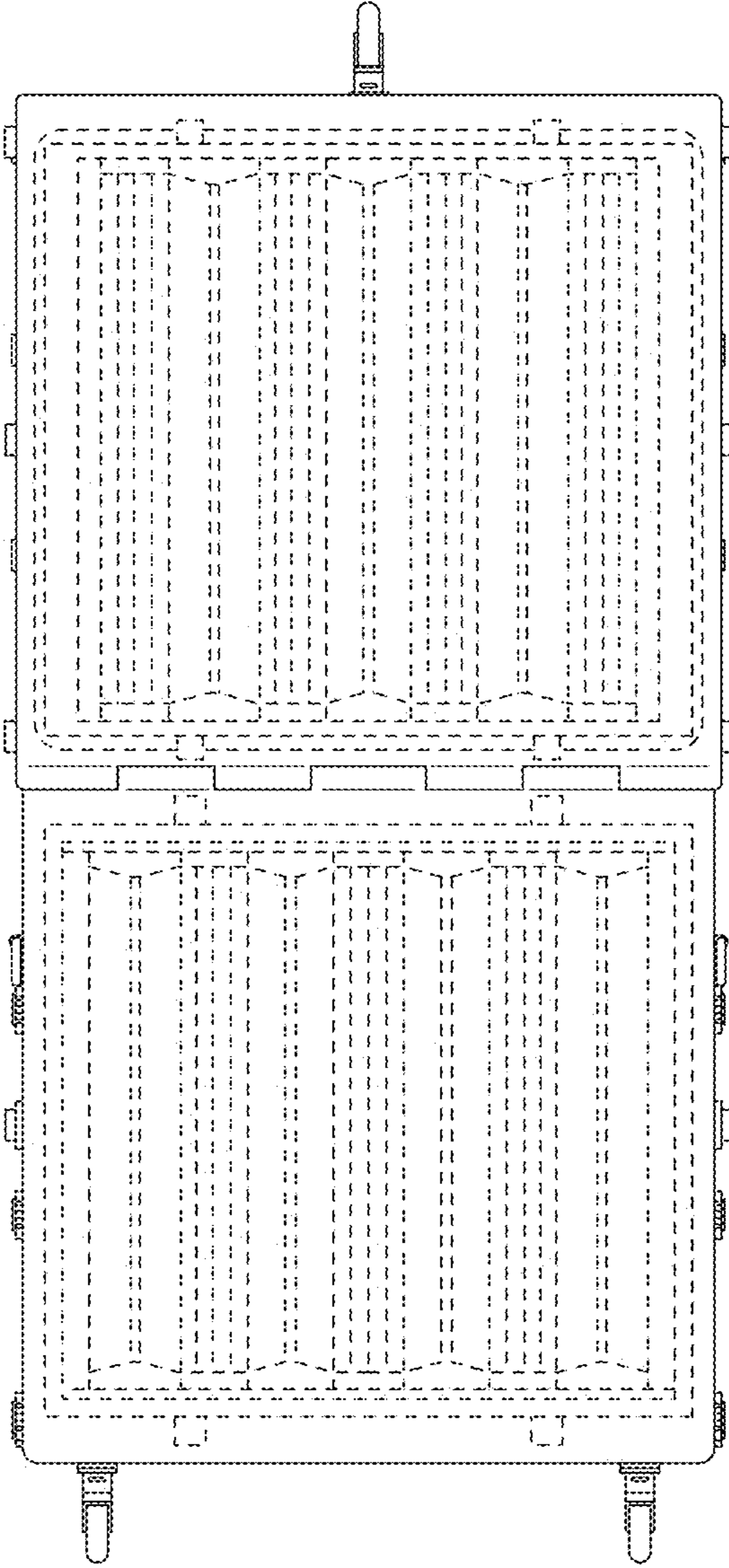


FIG. 9

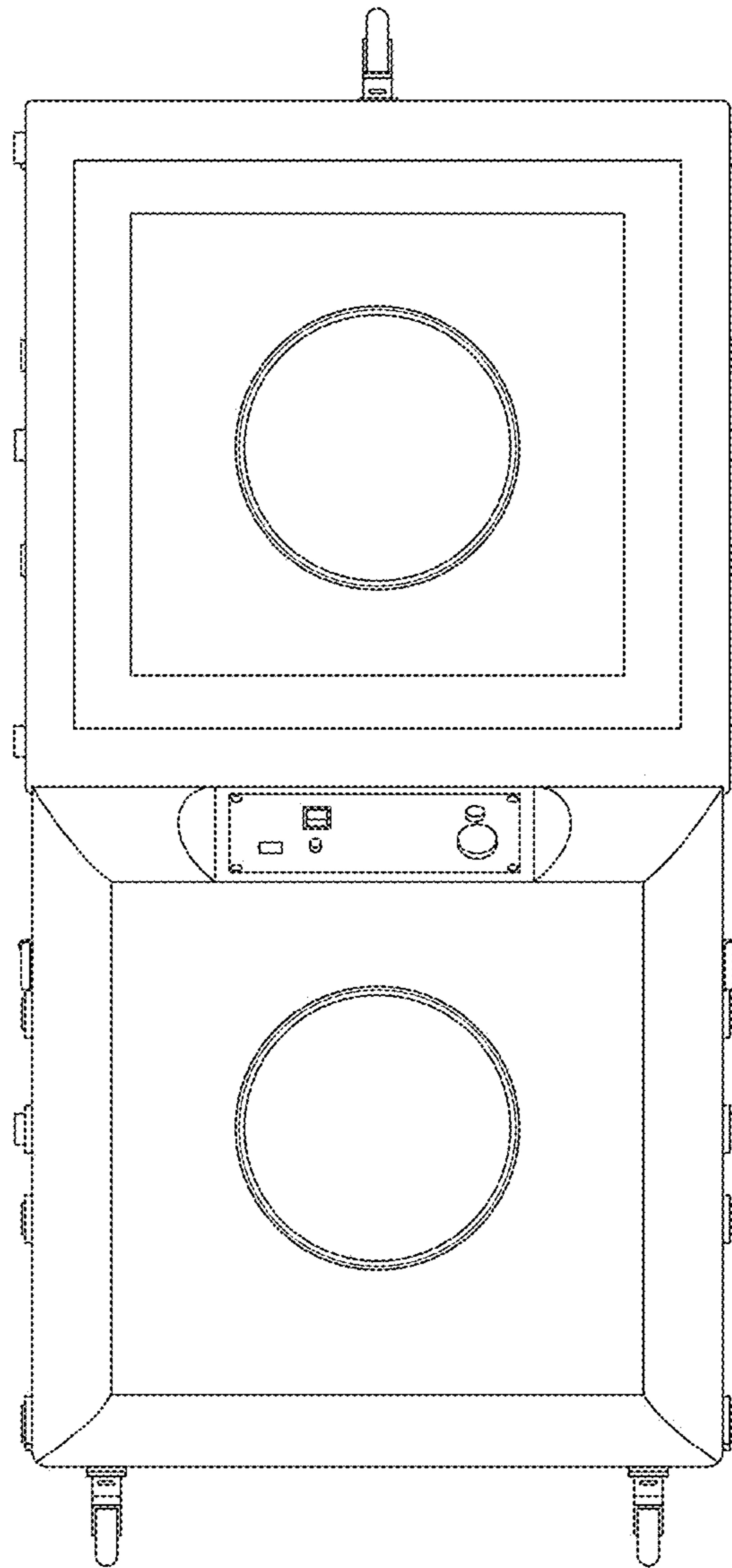


FIG. 10

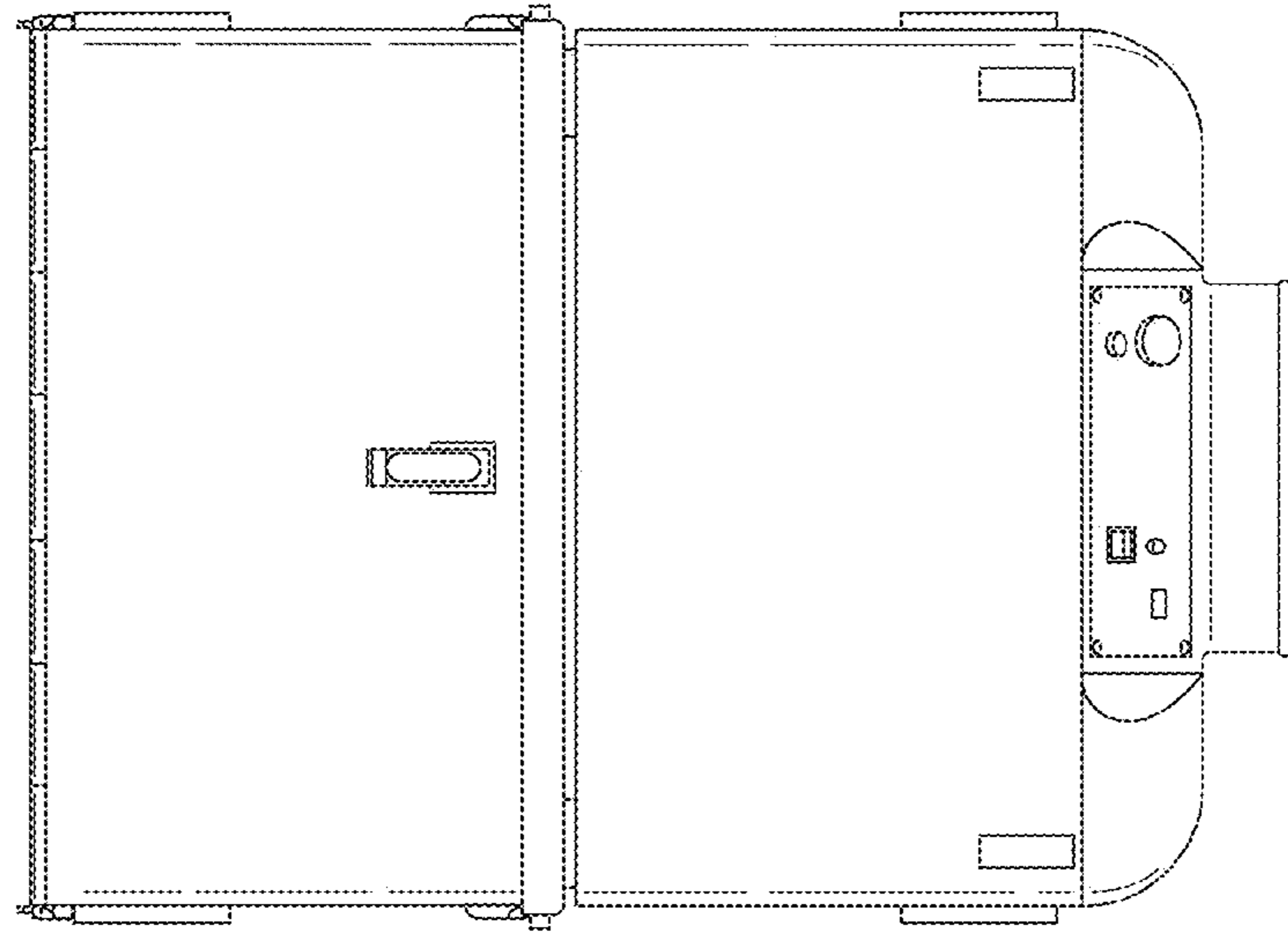


FIG. 11

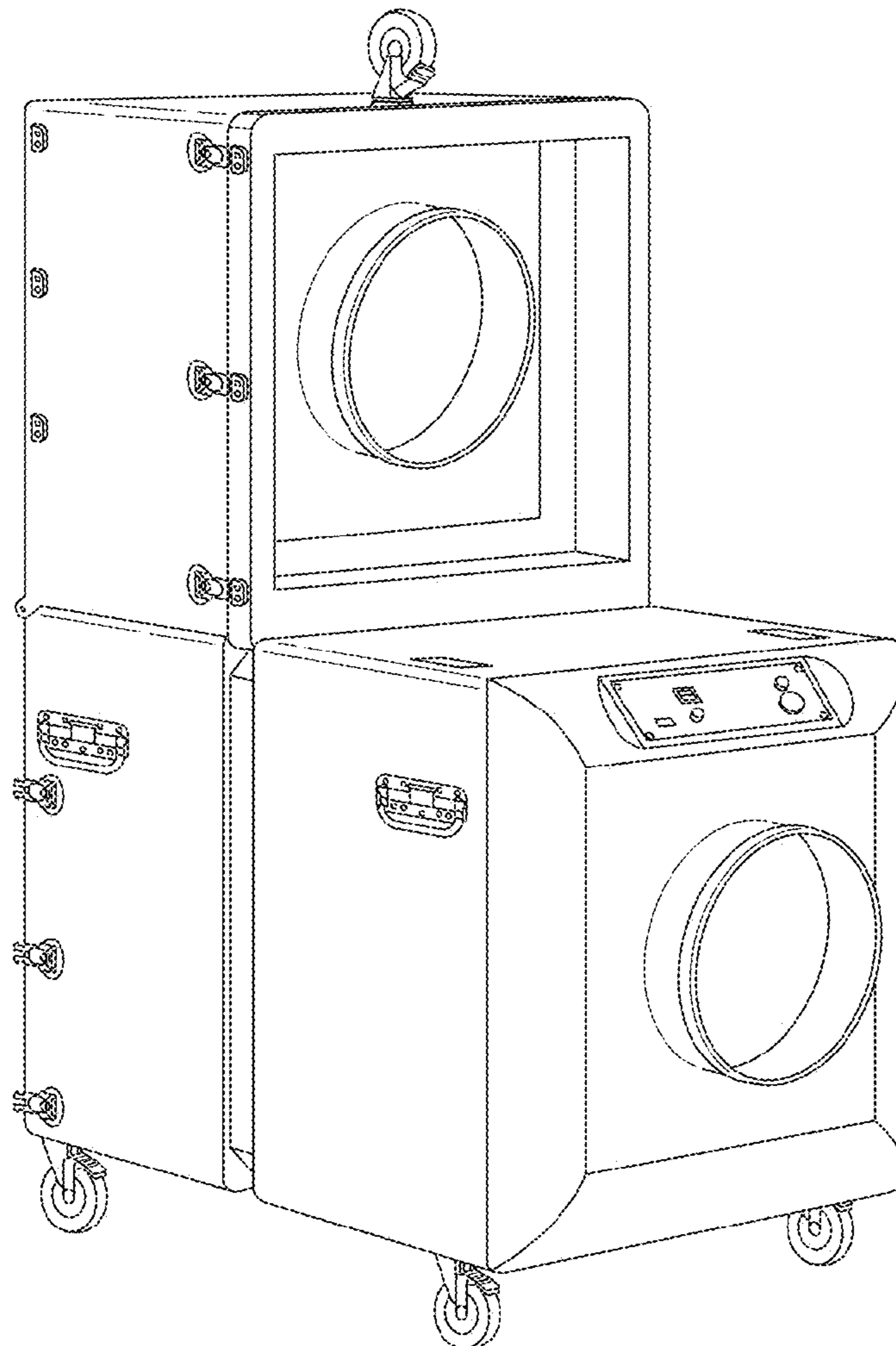


FIG. 12