



US0D1042912S

(12) **United States Design Patent** (10) **Patent No.:** **US D1,042,912 S**  
**Ando** (45) **Date of Patent:** **\*\* Sep. 17, 2024**

(54) **REAR COMBINATION LAMP FOR AN AUTOMOBILE**

D871,628 S \* 12/2019 Hirata ..... D26/28  
D880,738 S \* 4/2020 Thiebaud ..... D26/28  
D885,619 S \* 5/2020 Kawaguchi ..... D26/28  
D990,726 S \* 6/2023 Schell ..... D26/28

(71) Applicant: **TOYOTA JIDOSHA KABUSHIKI KAISHA**, Toyota (JP)

(72) Inventor: **Hideki Ando**, Obu (JP)

(73) Assignee: **TOYOTA JIDOSHA KABUSHIKI KAISHA**, Toyota (JP)

(\*\*) Term: **15 Years**

(21) Appl. No.: **29/883,688**

(22) Filed: **Feb. 2, 2023**

(30) **Foreign Application Priority Data**

Aug. 4, 2022 (JP) ..... 2022-016663 D

(51) **LOC (14) Cl.** ..... **26-06**

(52) **U.S. Cl.**  
USPC ..... **D26/28**

(58) **Field of Classification Search**  
USPC ..... D26/28-36; D12/86, 93  
CPC ..... F21S 41/00-698; F21S 43/00-50; B60Q 1/02-04; F21W 2103/00-60  
See application file for complete search history.

(56) **References Cited**

**U.S. PATENT DOCUMENTS**

D714,984 S \* 10/2014 Lai ..... D26/28  
D772,448 S \* 11/2016 Ishii ..... D26/28  
D810,974 S \* 2/2018 Sato ..... D26/28  
D828,934 S \* 9/2018 Baaske ..... D26/28  
D868,309 S \* 11/2019 Yano ..... D26/28

**OTHER PUBLICATIONS**

netcarshow.com, Subaru Outback (2020), <https://www.netcarshow.com/subaru/2020-outback/>, available as early as Sep. 13, 2021.  
netcarshow.com, Honda, Acura RDX (2019), <https://www.netcarshow.com/acura/2019-rdx/>, available as early as Sep. 13, 2021.  
netcarshow.com, Nissan, Infiniti QX80 (2022), <https://www.netcarshow.com/infiniti/2022-qx80/>, available as early as Sep. 13, 2021.

\* cited by examiner

*Primary Examiner* — Cary M Robinson  
*Assistant Examiner* — Julie Marie Bailey

(74) *Attorney, Agent, or Firm* — Saidman DesignLaw Group, LLC

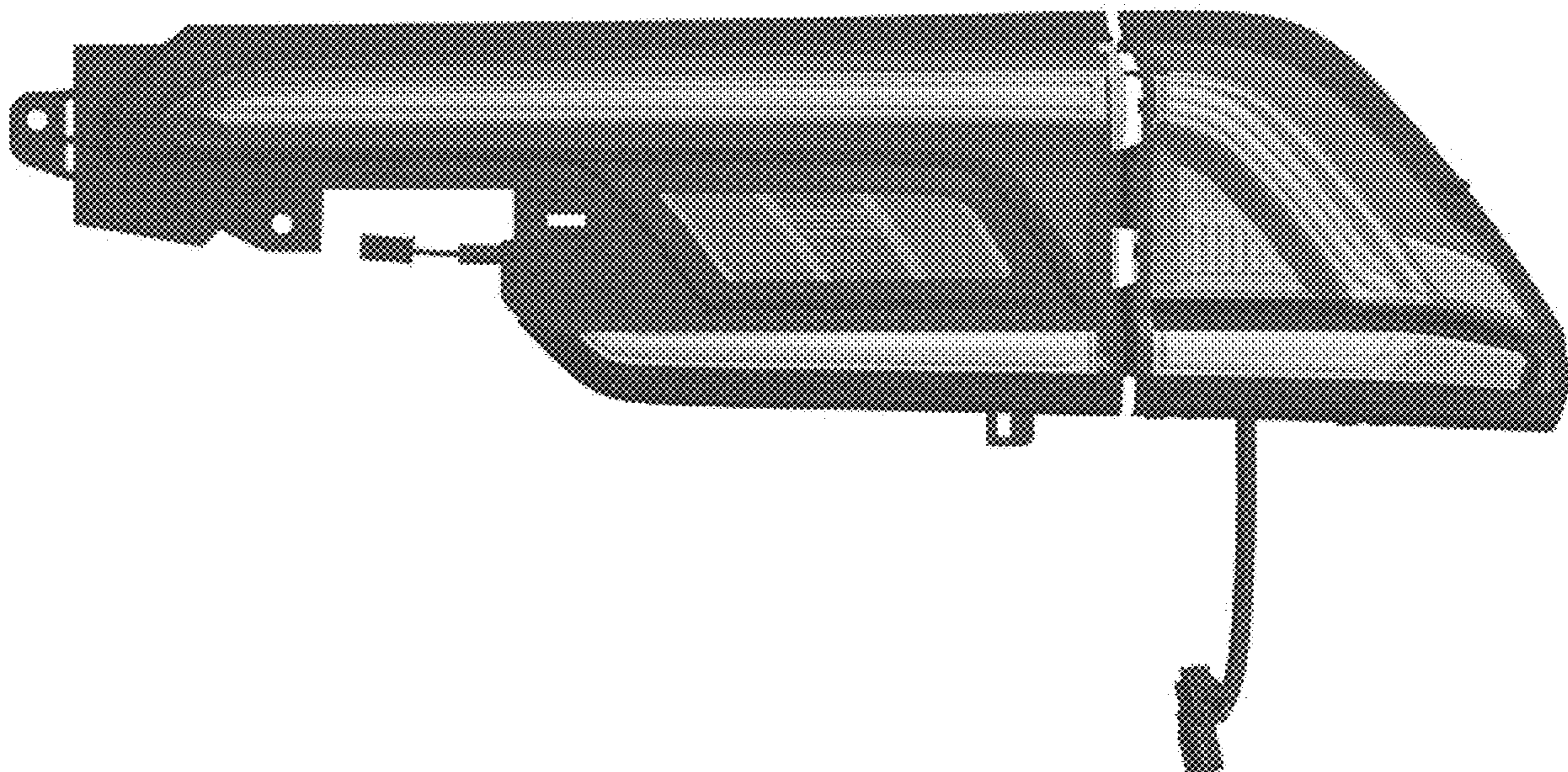
(57) **CLAIM**

The ornamental design for a rear combination lamp for an automobile, as shown and described.

**DESCRIPTION**

FIG. 1 is a perspective view of a rear combination lamp for an automobile showing my new design;  
FIG. 2 is a front view thereof;  
FIG. 3 is a rear view thereof;  
FIG. 4 is a right side view thereof;  
FIG. 5 is a left side view thereof;  
FIG. 6 is a top view thereof; and,  
FIG. 7 is a bottom view thereof.

**1 Claim, 7 Drawing Sheets**



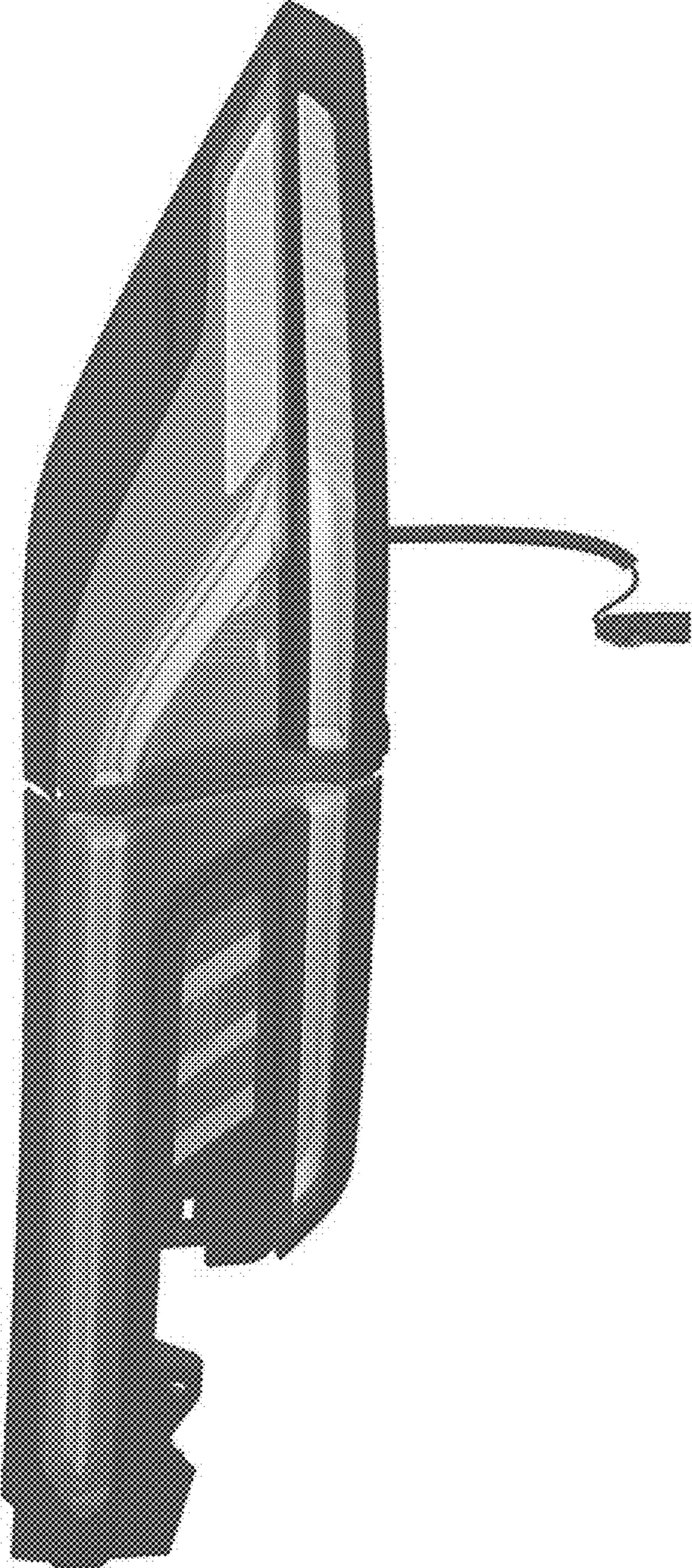


FIG. 1

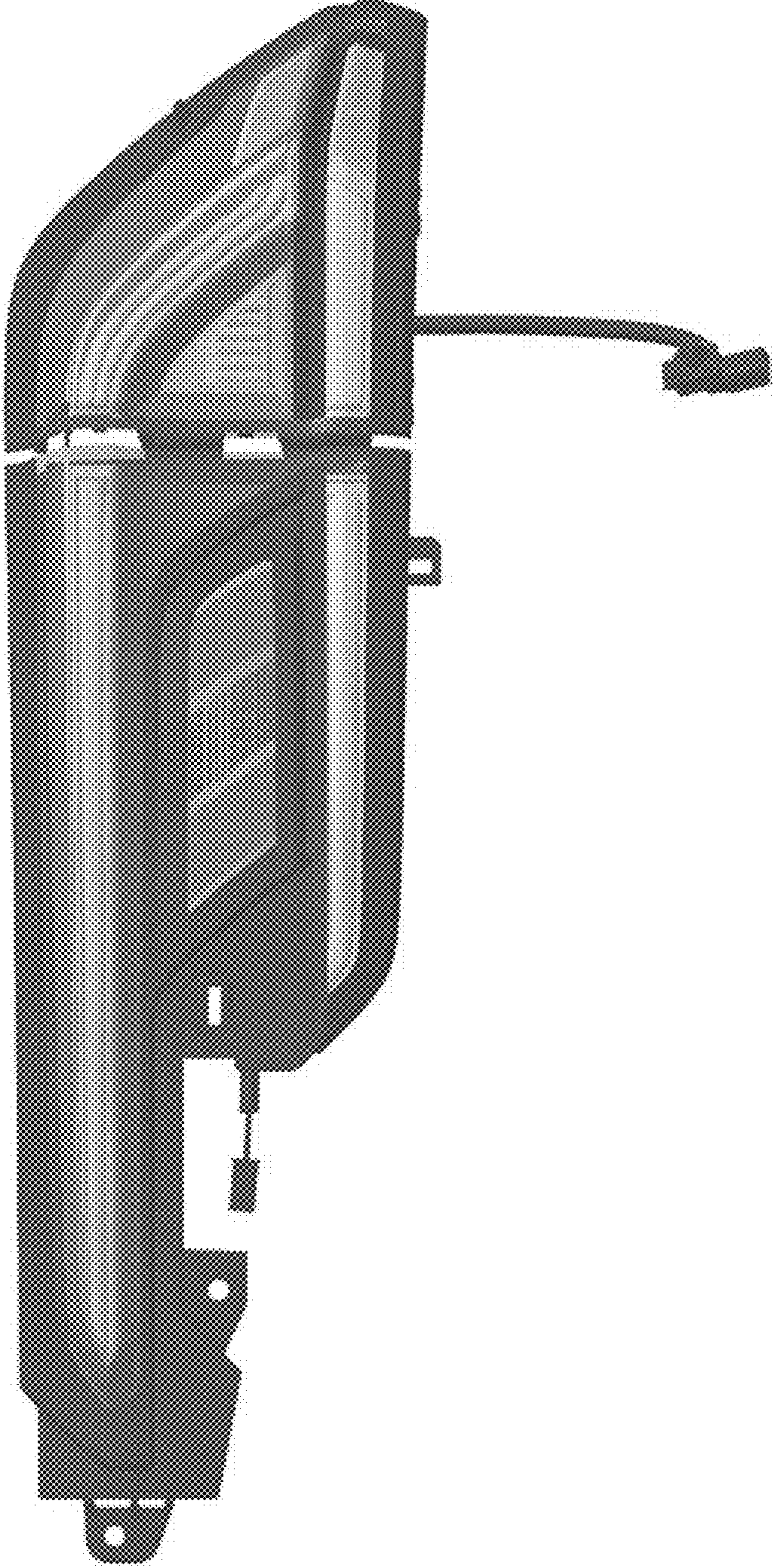


FIG. 2

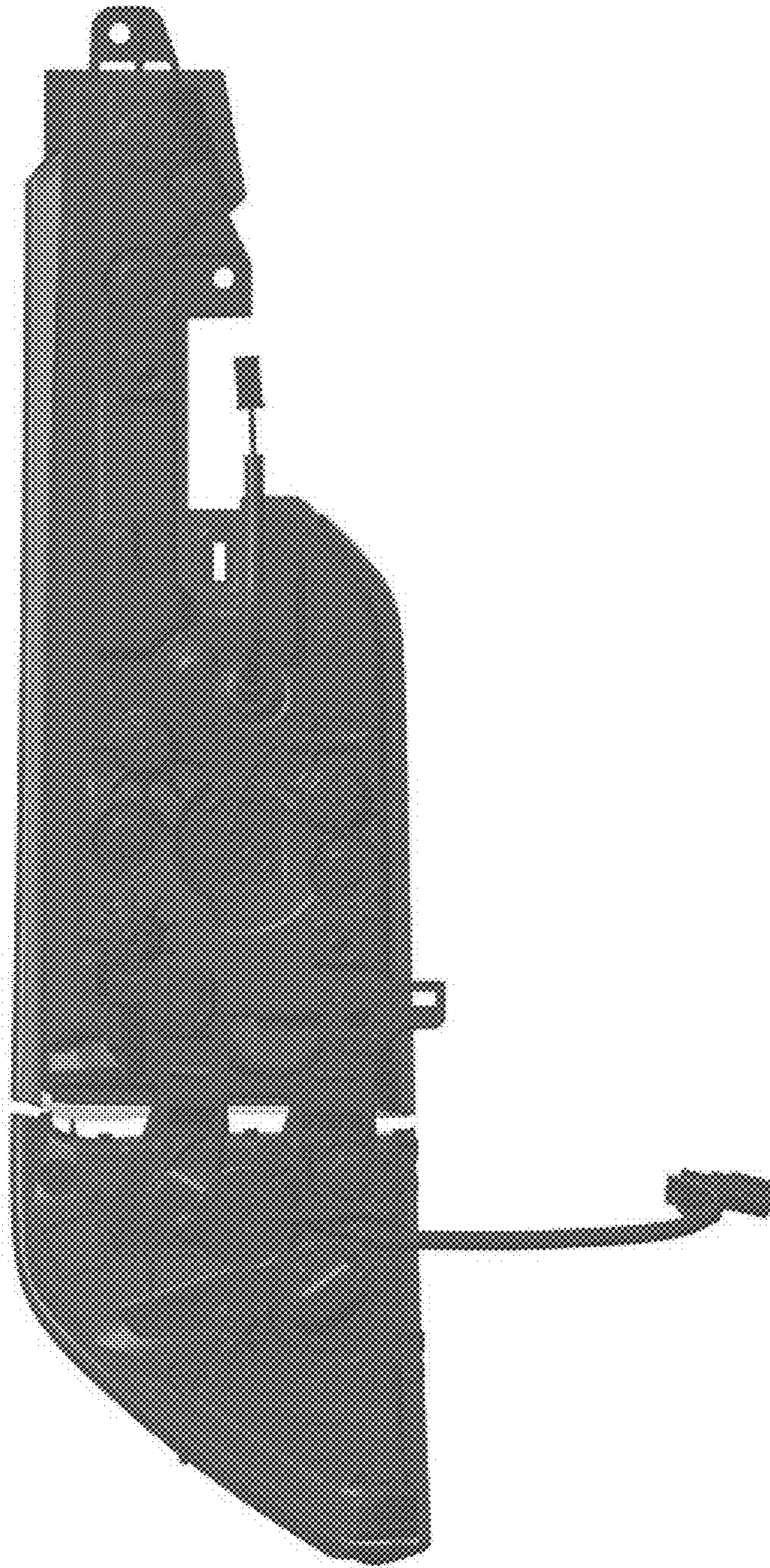


FIG. 3

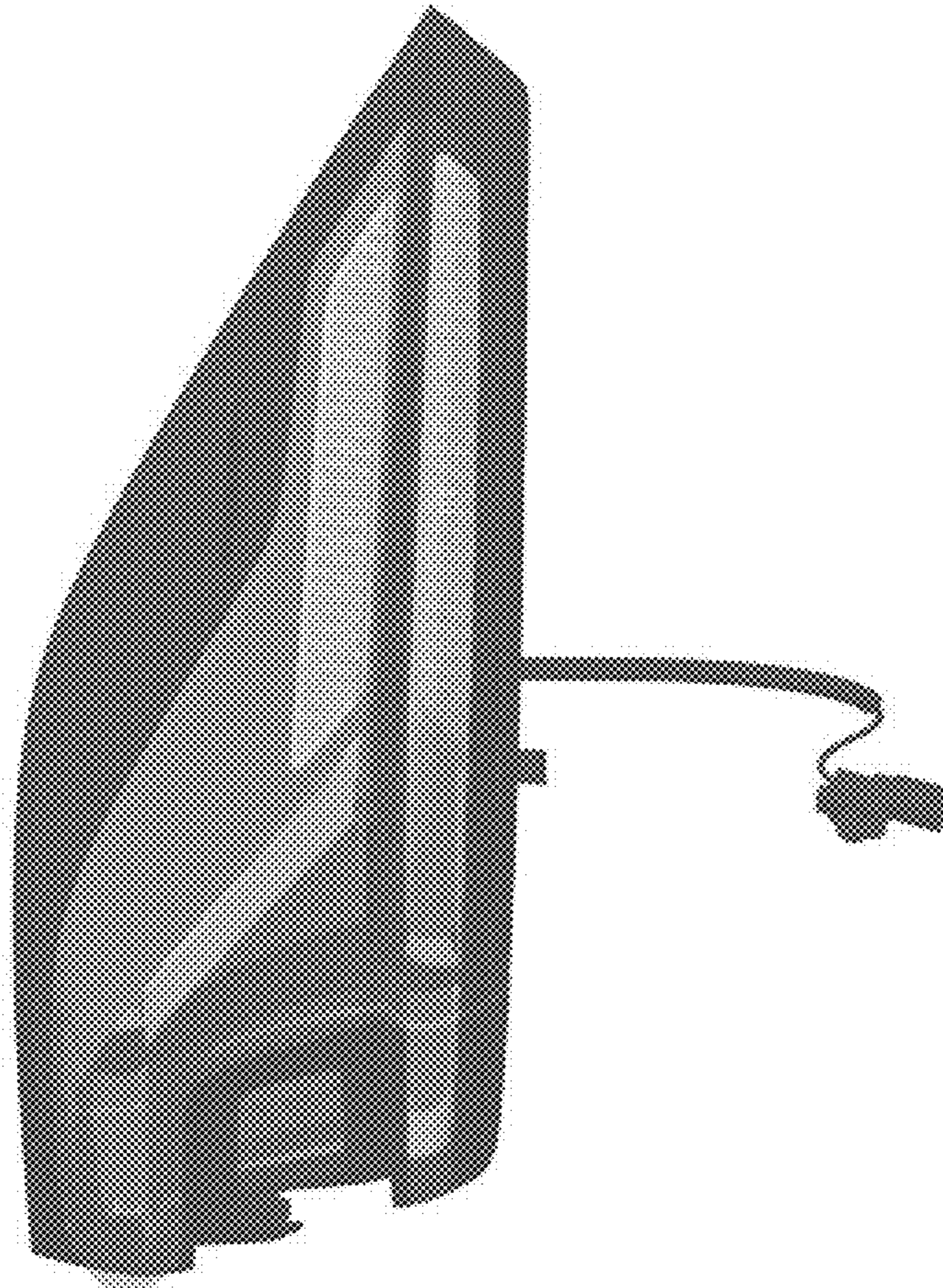


FIG. 4

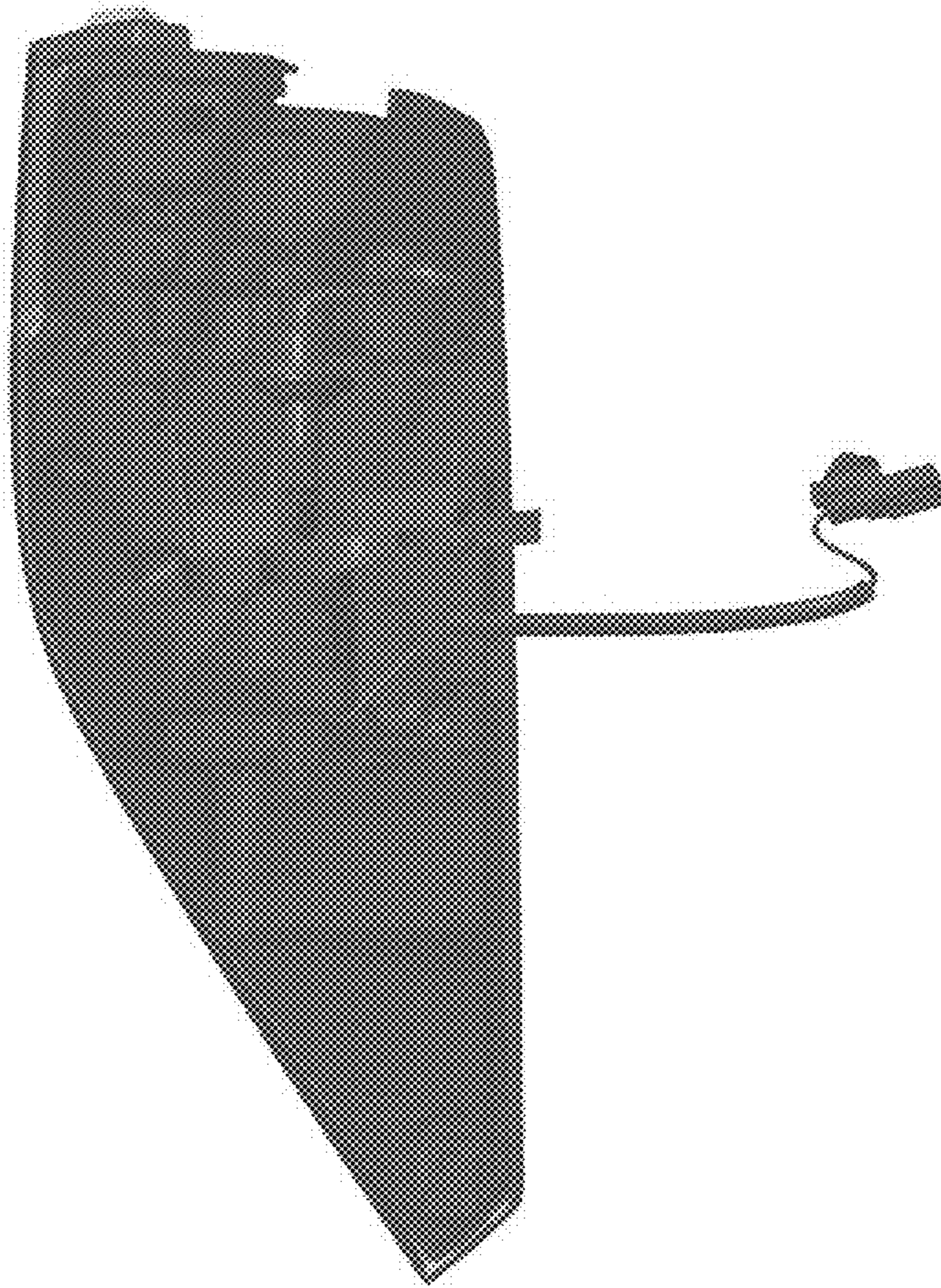


FIG. 5



FIG. 6



FIG. 7