

US0D1042888S

(12) **United States Design Patent** (10) **Patent No.:** **US D1,042,888 S**
Araujo (45) **Date of Patent:** **** Sep. 17, 2024**

(54) **SAWHORSE**
(71) Applicant: **Alejandro Araujo**, Fort Worth, TX (US)
(72) Inventor: **Alejandro Araujo**, Fort Worth, TX (US)
(**) Term: **15 Years**
(21) Appl. No.: **29/852,374**
(22) Filed: **Sep. 6, 2022**
(51) **LOC (14) Cl.** **08-99**
(52) **U.S. Cl.**
USPC **D25/67**
(58) **Field of Classification Search**
USPC D25/63, 64, 67, 68; D6/353, 691.1, D6/692.1, 692, 684, 656, 403
CPC ... B25H 1/04; B25H 1/06; B25H 1/08; B25H 1/14; E04H 12/24
See application file for complete search history.

D388,638 S * 1/1998 Ludlam D6/692
D392,746 S * 3/1998 Dickinson D25/67
D394,361 S * 5/1998 Adams D6/691.1
(Continued)

OTHER PUBLICATIONS

Brently Cedar Fliptop Outdoor Side Table, available in wayfair.com, customer review oldest date Aug. 11, 2019 [online], [site visited Oct. 18, 2023], Available from the internet URL: www.wayfair.com/Rosecliff-Heights--Brently-Folding-Wooden-Side-Table (Year: 2019).*

(Continued)

Primary Examiner — Sandra Snapp
Assistant Examiner — Jasmine L. Comedy
(74) *Attorney, Agent, or Firm* — Eversheds Sutherland (US) LLP

(57) **CLAIM**

The ornamental design for a sawhorse, as shown and described.

(56) **References Cited**

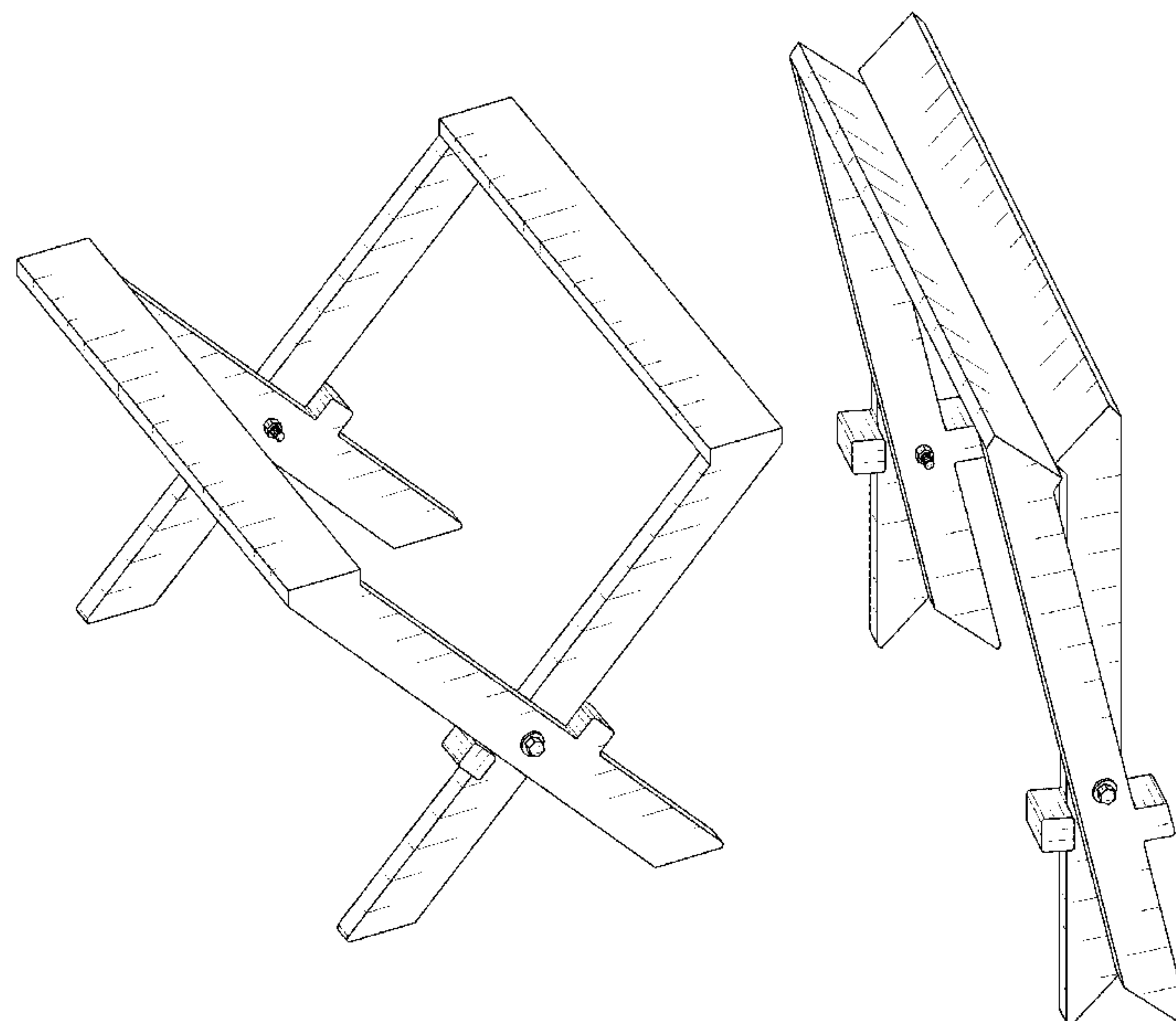
U.S. PATENT DOCUMENTS

2,829,927 A * 4/1958 Sword B25H 1/06
182/186.3
D257,395 S * 10/1980 Correll D25/67
D261,712 S * 11/1981 Ferdinand D6/691
D266,128 S * 9/1982 Ferdinand D6/684
D287,318 S * 12/1986 Garduno D6/392
D298,056 S * 10/1988 Auerbach D25/67
D300,251 S * 3/1989 Coryea D25/67
D308,728 S * 6/1990 Carlson D25/67
D328,355 S * 7/1992 Librach D25/67
D334,811 S * 4/1993 Parks D25/67
D344,347 S * 2/1994 Wittman D25/67
5,584,254 A * 12/1996 Williams B25H 1/10
108/29
5,647,285 A * 7/1997 Steward A47B 3/02
108/119

DESCRIPTION

FIG. 1 is a top perspective view for a sawhorse, showing the sawhorse in an open position;
FIG. 2 is a bottom perspective view in an open position thereof;
FIG. 3 is a side elevation view in an open position thereof;
FIG. 4 is a side elevation view in an open position thereof;
FIG. 5 is a front elevation view in an open position thereof;
FIG. 6 is a rear elevation view in an open position thereof;
FIG. 7 is a top plan view in an open position thereof;
FIG. 8 is a bottom plan view in an open position thereof;
FIG. 9 is a top perspective view in a closed position; and,
FIG. 10 is a bottom perspective view in a closed position thereof.

1 Claim, 8 Drawing Sheets



(56)

References Cited

U.S. PATENT DOCUMENTS

D407,235	S	*	3/1999	Cunningham	D6/692.1
D440,070	S	*	4/2001	Goodworth	D6/692.1
D546,588	S	*	7/2007	Massaud	D6/691
D634,858	S	*	3/2011	Landau	D25/67
D642,401	S	*	8/2011	Lien	D6/403
D681,851	S	*	5/2013	Zidek	D25/67
D688,901	S	*	9/2013	Colson	D6/656
D693,943	S	*	11/2013	Balentine	D25/67
10,155,308	B2	*	12/2018	Wysong	B25H 1/06
D862,951	S	*	10/2019	Angel	D6/691.1
D985,294	S	*	5/2023	Zheng	D6/353
D988,764	S	*	6/2023	Angel	D6/691.1
D1,008,675	S	*	12/2023	Ozturk	D6/349

OTHER PUBLICATIONS

Lancaster Table & Seating Walnut Wood Folding Luggage Rack, available in webstaurantstore.com, customer review oldest date Jun. 11, 2010 [online], [site visited Oct. 18, 2023], Available from the internet URL: www.webstaurantstore.com/lancaster-table-seating-24-1-2-x-15-x-20-walnut-wood-folding-luggage-rack (Year: 2010).*

Log Sawhorse plans, announced in YouTube on Nov. 27, 2015 [online], [site visited Oct. 18, 2023], Available from the internet URL: <https://www.youtube.com/watch?v=H3CM9a7XISM&t=1s> (Year: 2015).*

Folding Wooden Step Stool, available in lakeland.co.uk, customer review oldest date Mar. 16, 2012 [online], [site visited Oct. 18, 2023], Available from the internet URL: <https://www.lakeland.co.uk/23408/folding-wooden-step-stool> (Year: 2012).*

Wooden sawbuck, available in istockphoto.com, date first available Sep. 7, 2014 [online], [site visited Oct. 18, 2023], Available from the internet URL: <https://www.istockphoto.com/photo/wooden-sawbuck-gm510904955-46411598> (Year: 2014).*

Craster Folding Tray Table, available in craster.com, date first available Dec. 15, 2020 [online], [site visited Oct. 18, 2023], Available from the internet URL: <https://craster.com/walnut-folding-tray-table/> (Year: 2020).*

Teak Framed Folding Camp Stool with Khaki Canvas Seat, available in Amazon.com, date first available Nov. 23, 2010 [online], [site visited Oct. 18, 2023], Available from the internet URL: <https://www.amazon.com/Framed-Folding-Stool-Khaki-Canvas/dp/B004EFUN7C> (Year: 2010).*

* cited by examiner

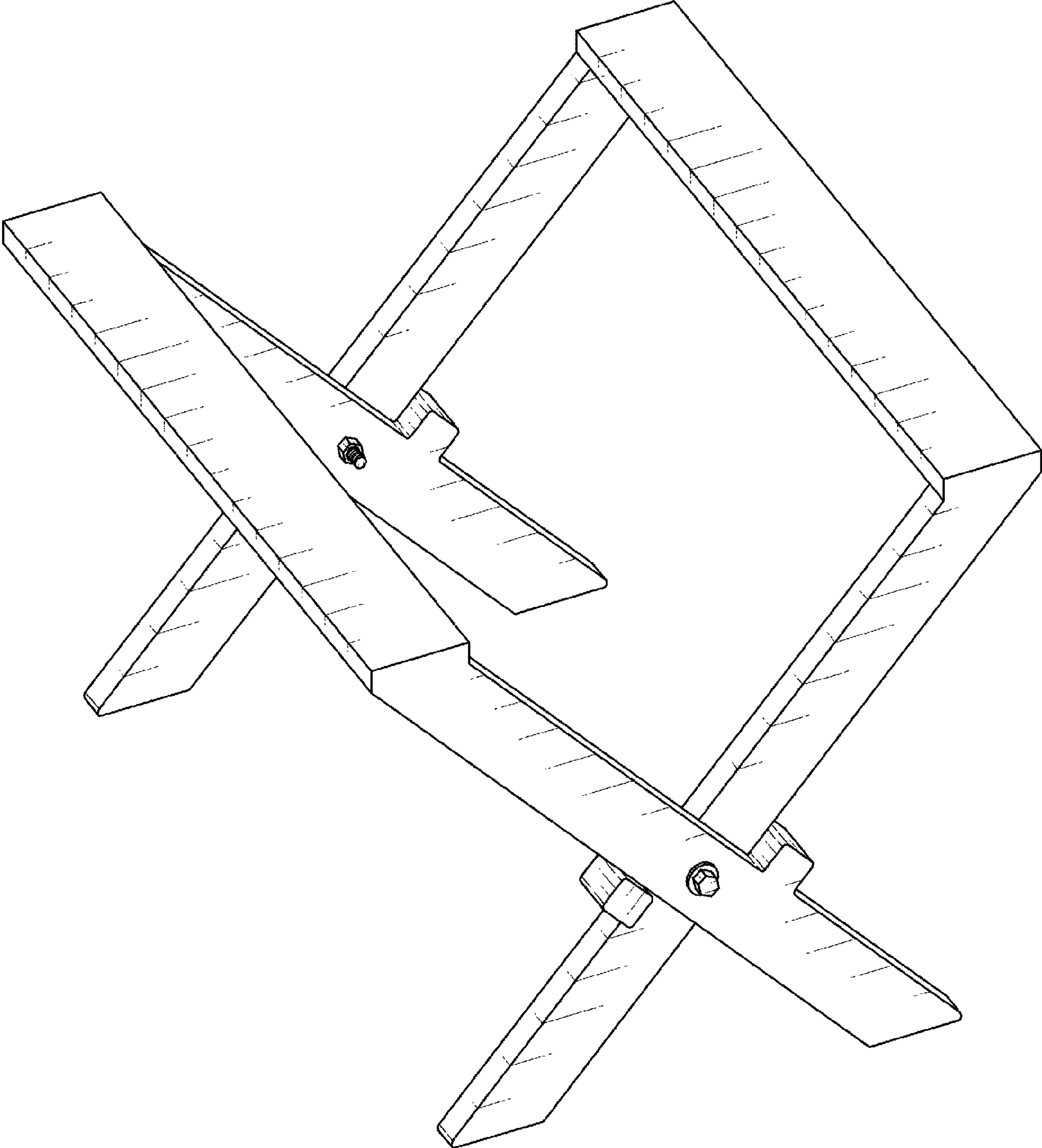


FIG. 1

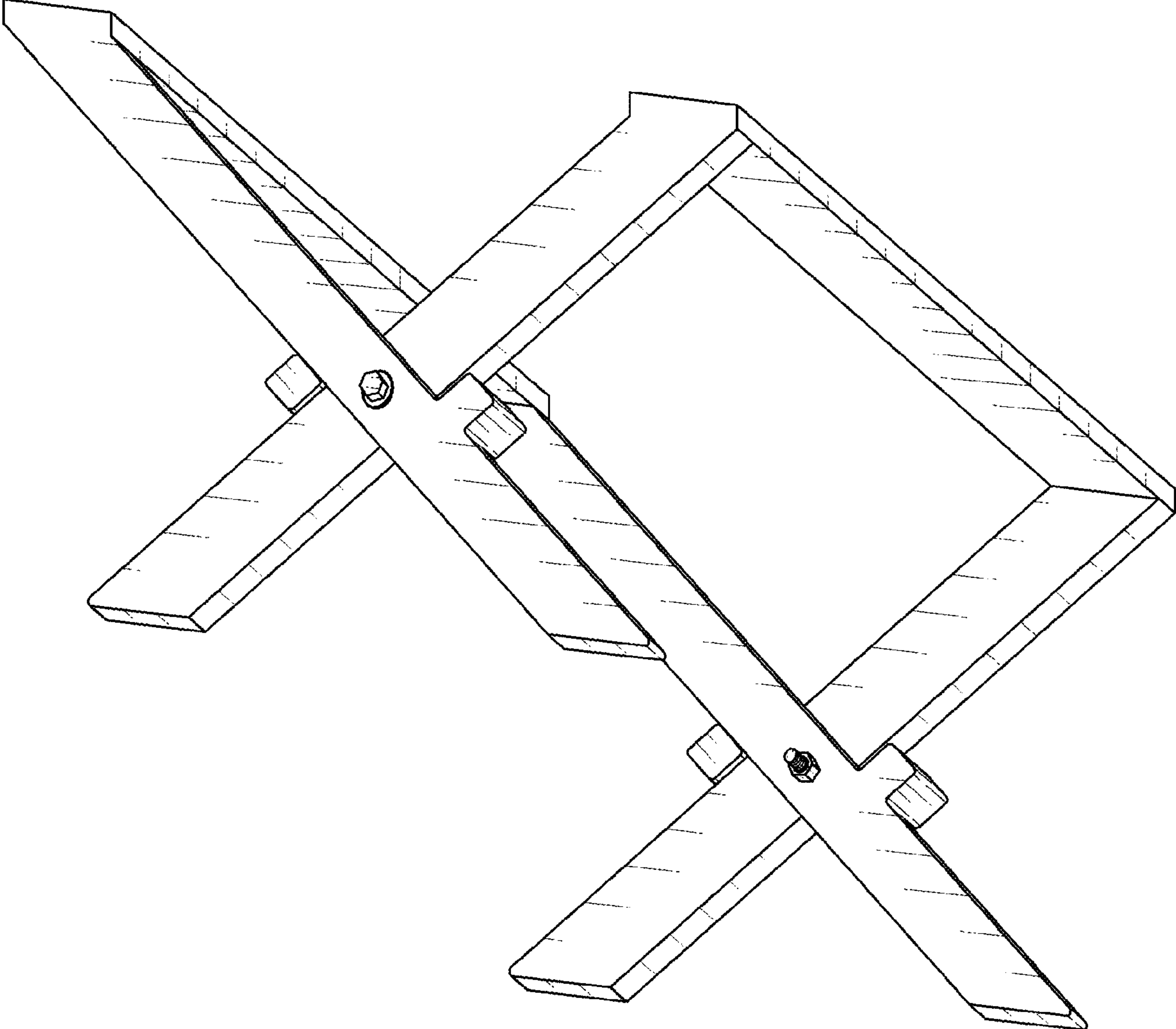


FIG. 2

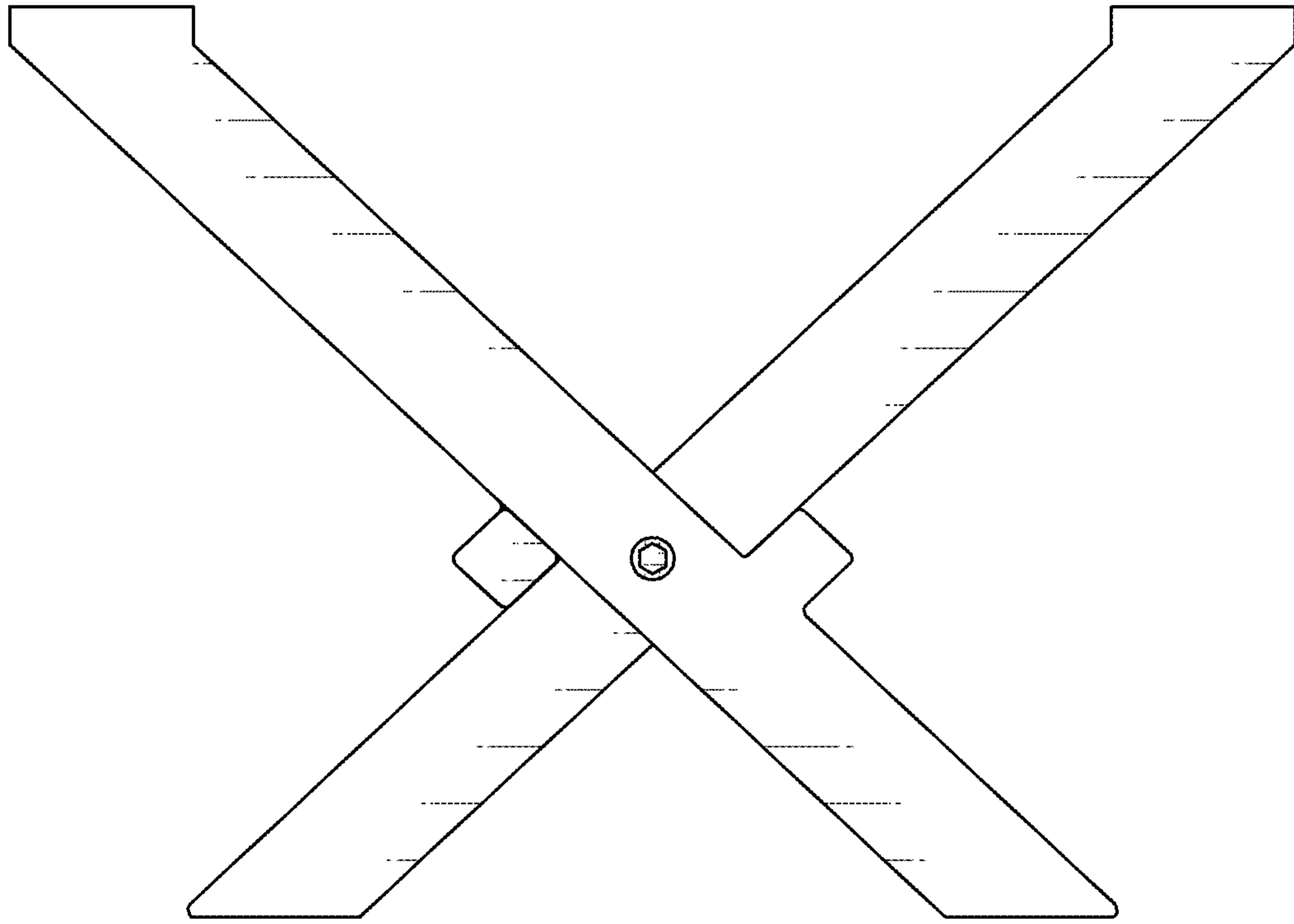


FIG. 3

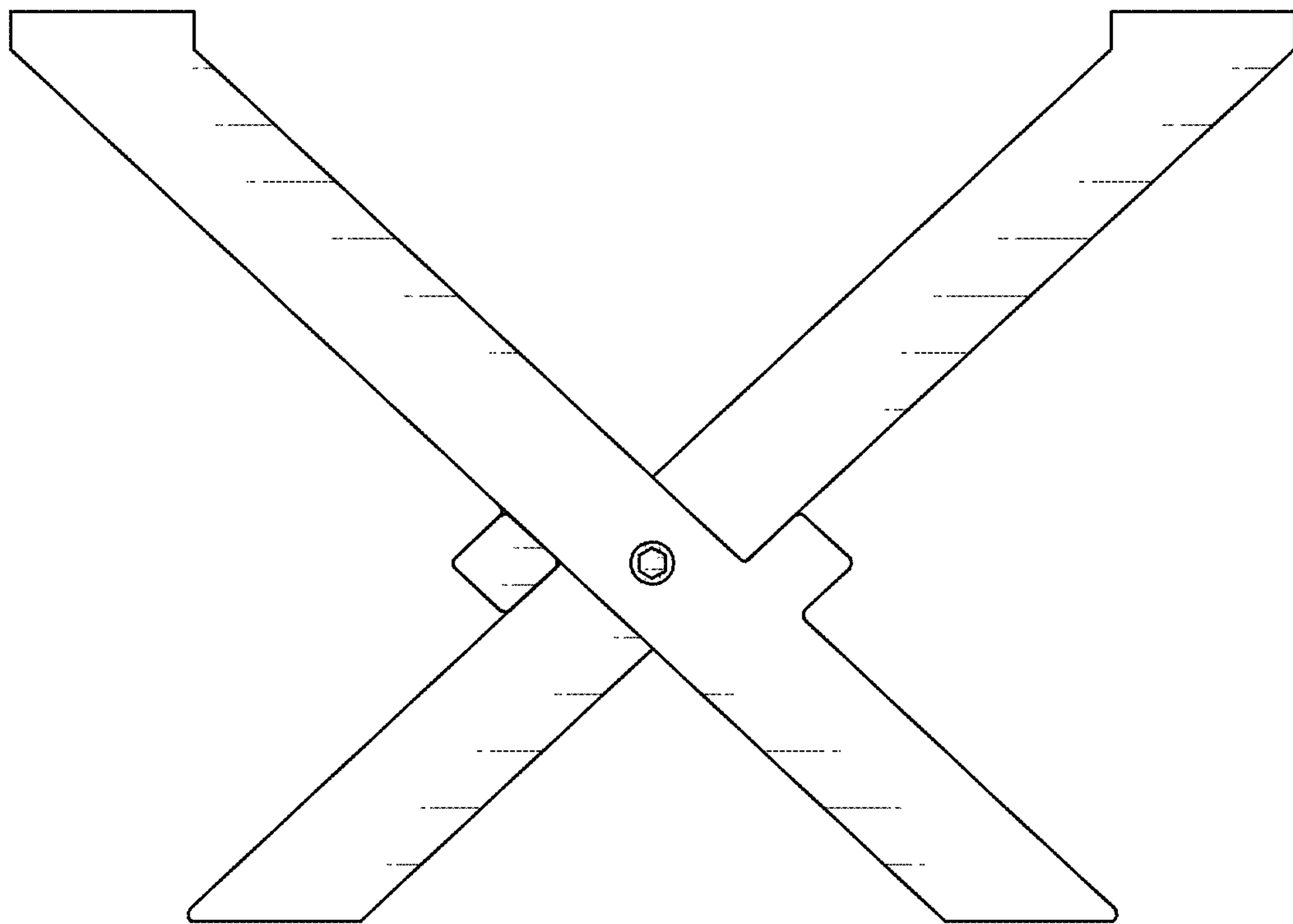


FIG. 4

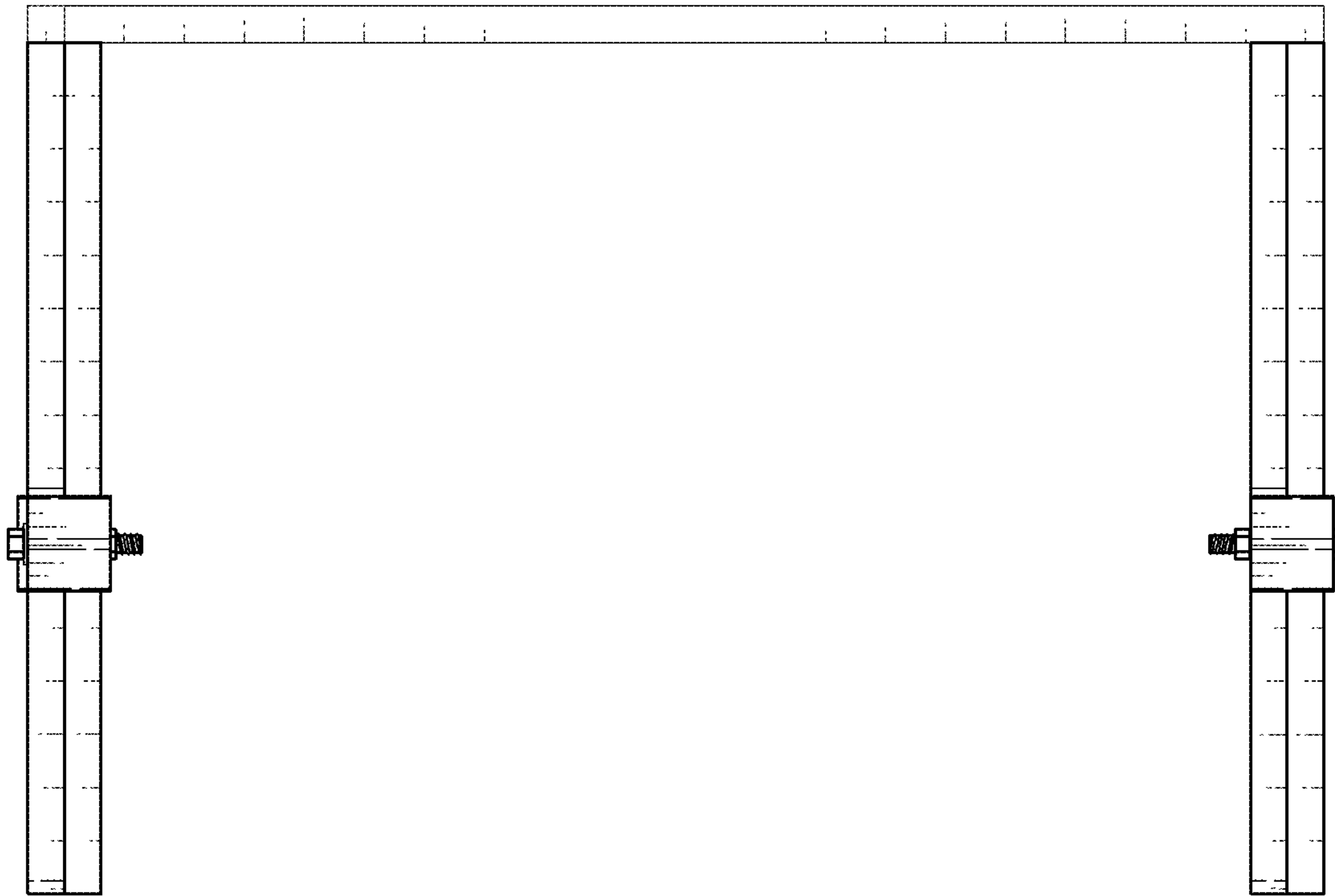


FIG. 5

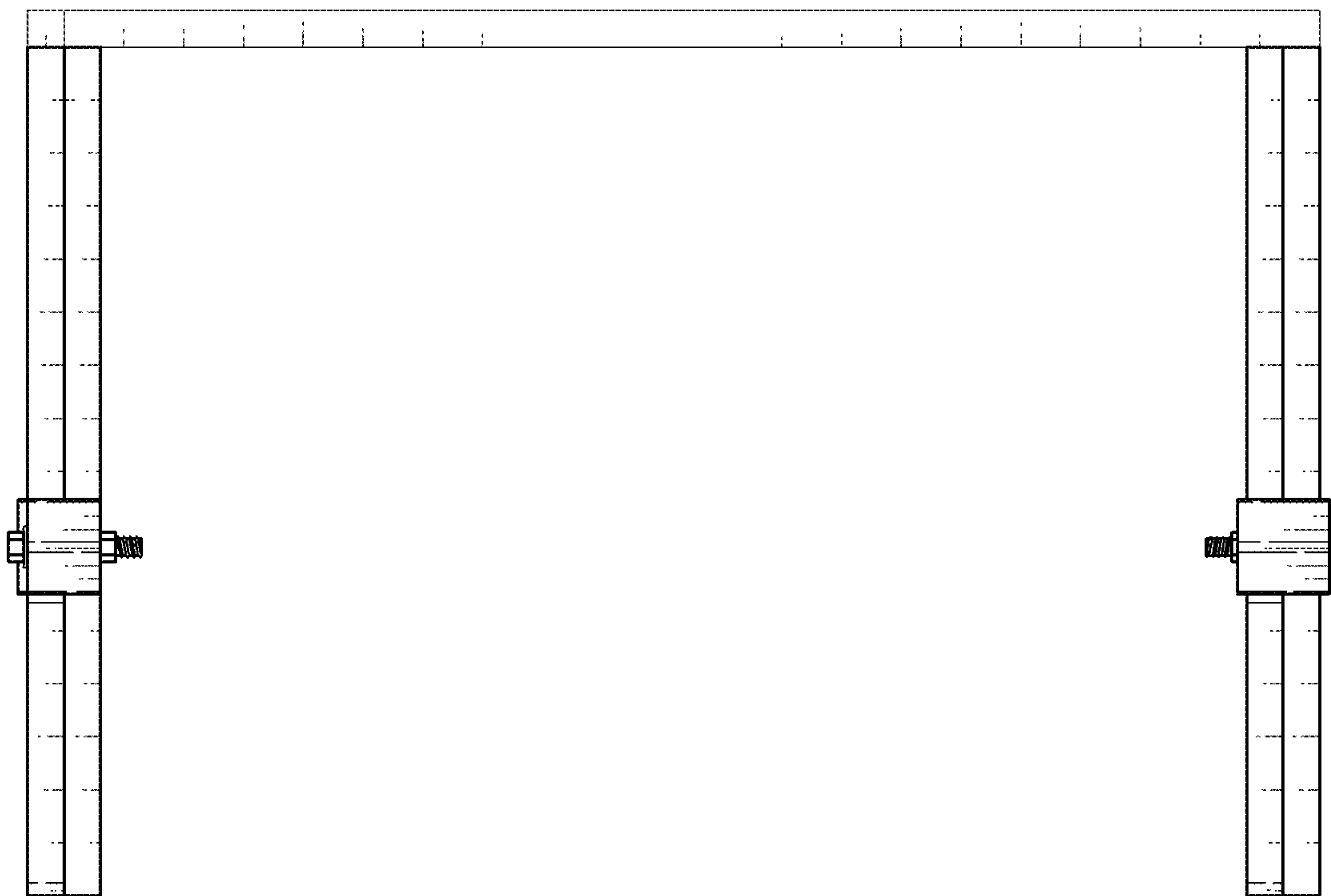


FIG. 6

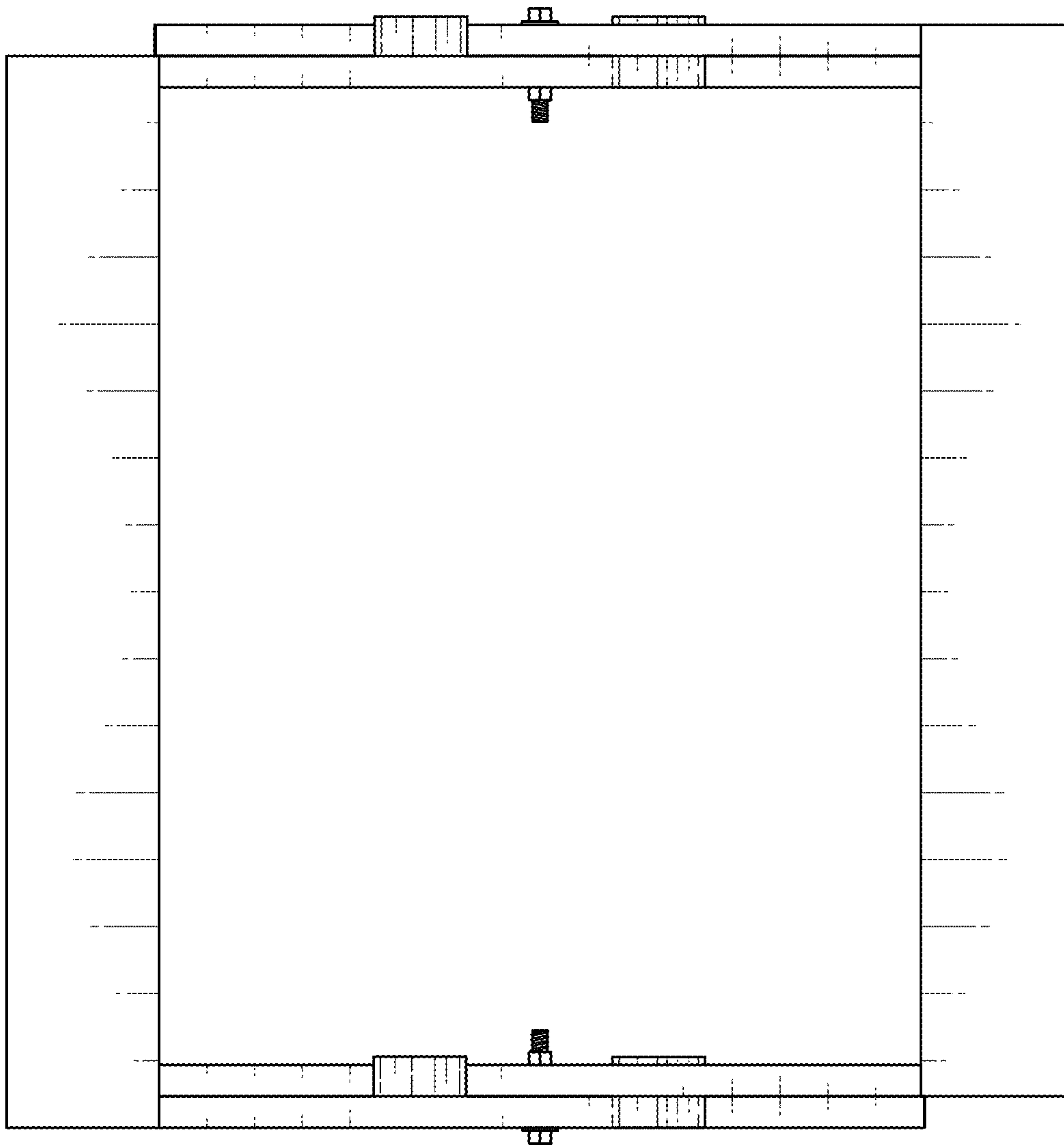


FIG. 7

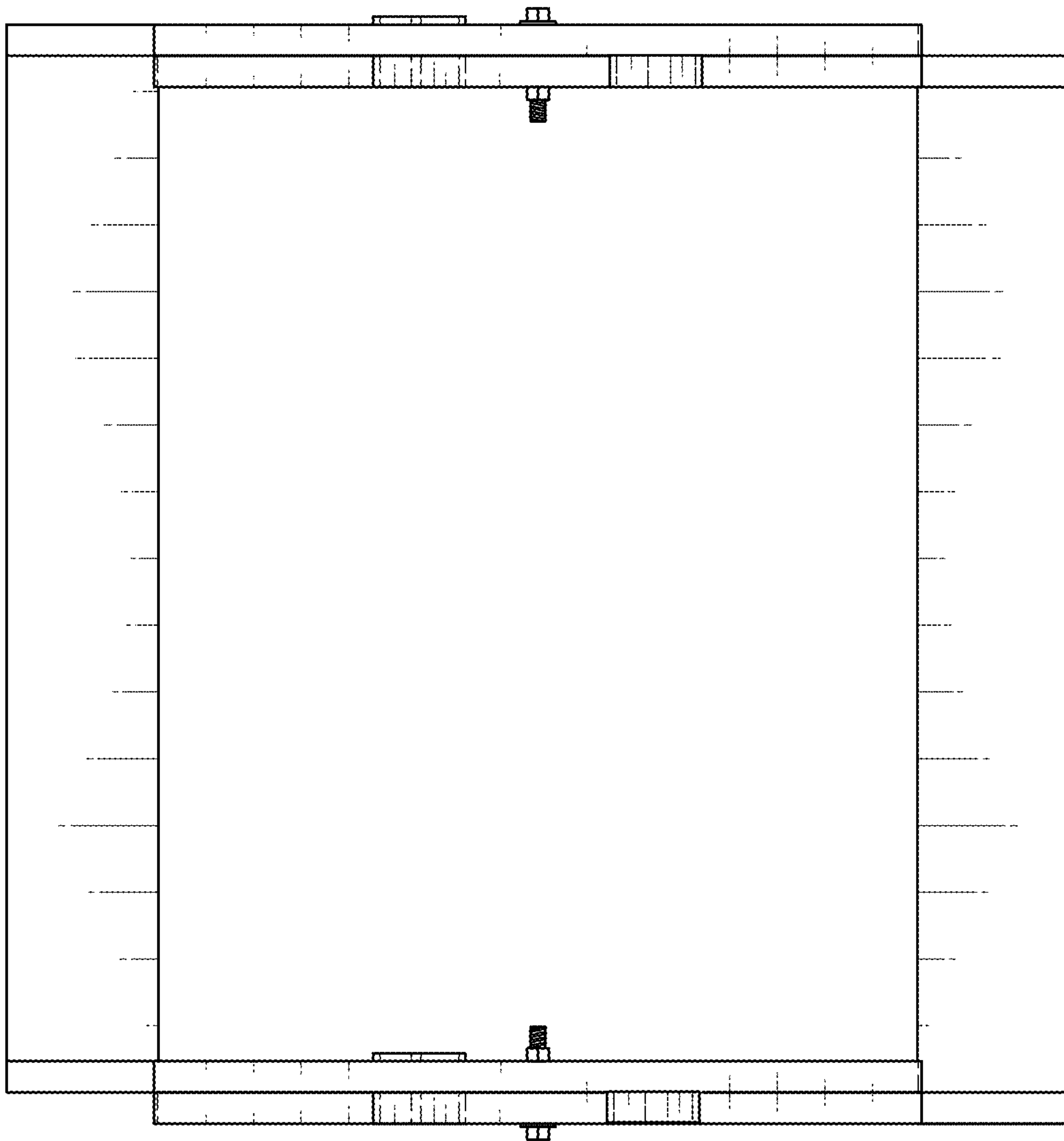


FIG. 8

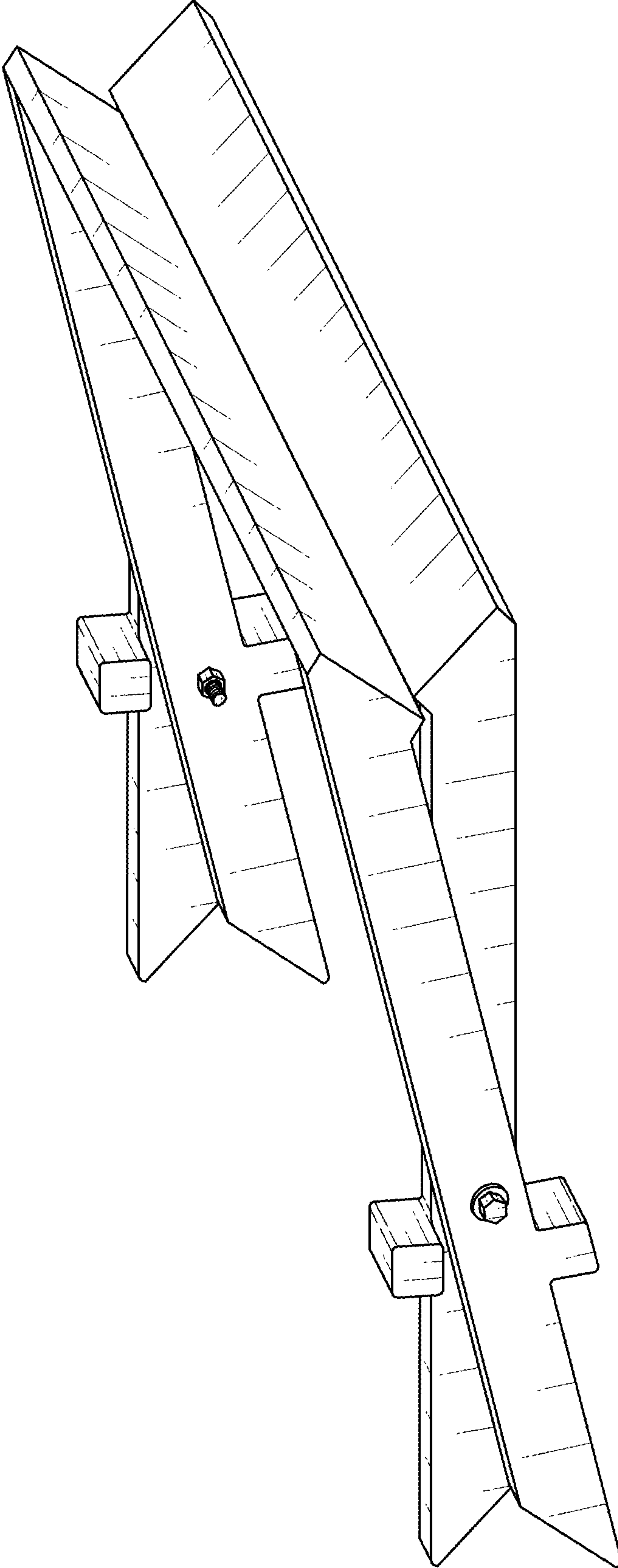


FIG. 9

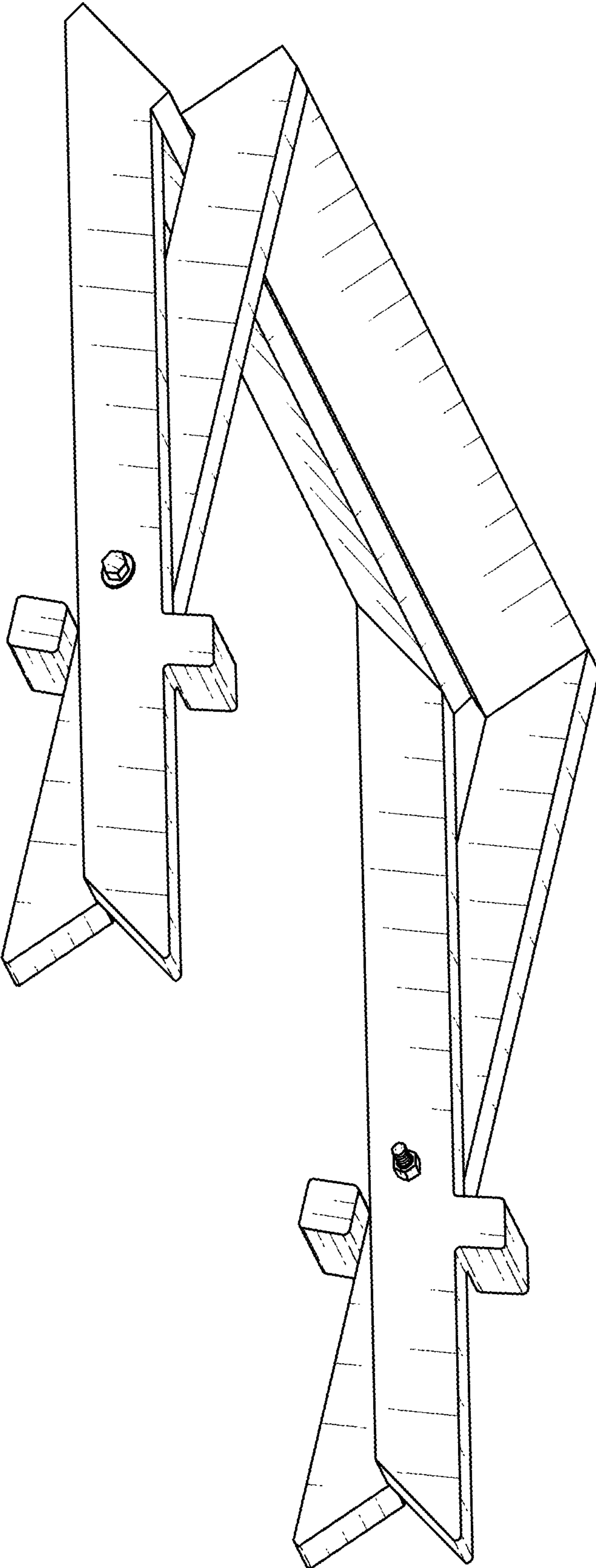


FIG. 10