



US0D1042815S

(12) **United States Design Patent** (10) **Patent No.: US D1,042,815 S**  
**Kemps et al.** (45) **Date of Patent: \*\* \*Sep. 17, 2024**

- (54) **CONNECTOR**
- (71) Applicant: **Fisher & Paykel Healthcare Limited**, Auckland (NZ)
- (72) Inventors: **David Robert Kemp**s, Auckland (NZ); **Simon Mordechai Stam**, Auckland (NZ)
- (73) Assignee: **Fisher & Paykel Healthcare Limited**, Auckland (NZ)
- (\*) Notice: This patent is subject to a terminal disclaimer.
- (\*\*) Term: **15 Years**
- (21) Appl. No.: **29/707,718**
- (22) Filed: **Sep. 30, 2019**

D591,438 S	4/2009	Hama et al.	
D629,891 S	12/2010	Virr et al.	
D631,542 S	1/2011	DeGross et al.	
D651,709 S	1/2012	Zeyfang	
D671,639 S	11/2012	Trifilio	
D736,372 S	8/2015	Anderson	
D751,699 S	3/2016	Mills	
D757,929 S	5/2016	Kerber et al.	
D805,629 S	12/2017	Fiorenza	
D820,441 S	6/2018	Ketelhohn et al.	
D827,130 S *	8/2018	Penttilä	D24/129
D838,363 S *	1/2019	Katagiri	D24/127
D873,996 S *	1/2020	Sanders	D24/129
D878,576 S *	3/2020	Johnson	D24/127
D892,321 S *	8/2020	Newton	D24/129
D908,210 S *	1/2021	Saint	D24/113

(Continued)

*Primary Examiner* — David G Muller  
(74) *Attorney, Agent, or Firm* — Knobbe, Martens, Olson & Bear, LLP

(57) **CLAIM**

The ornamental design for a connector, as shown and described.

**DESCRIPTION**

FIG. 1 is a right, front, and top perspective view of a connector embodying our new design.  
 FIG. 2 is a left, front, and top perspective view thereof.  
 FIG. 3 is a front view thereof.  
 FIG. 4 is a rear view thereof.  
 FIG. 5 is a left side view thereof.  
 FIG. 6 is a right side view thereof.  
 FIG. 7 is a top view thereof.  
 FIG. 8 is a bottom view thereof.  
 FIG. 9 is a cross-sectional view thereof taken along 9-9 in FIG. 5; and,  
 FIG. 10 is a cross-section view thereof taken along line 10-10 in FIG. 5.  
 The broken lines in the figures show portions of the connector that form no part of the claimed design.

**1 Claim, 10 Drawing Sheets**

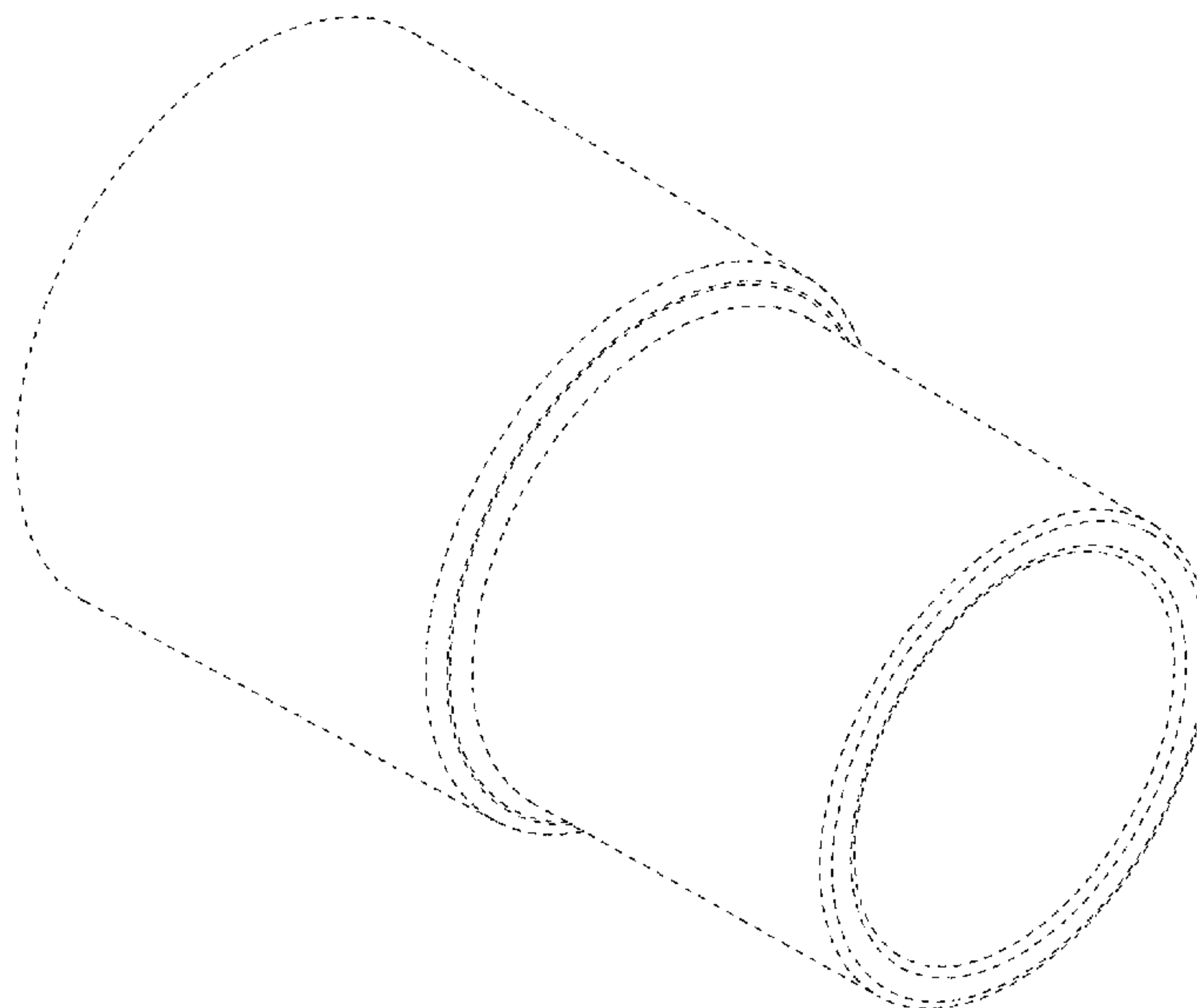
**Related U.S. Application Data**

- (62) Division of application No. 29/611,853, filed on Jul. 26, 2017, now Pat. No. Des. 867,586.
- (51) **LOC (14) Cl.** ..... **24-02**
- (52) **U.S. Cl.**  
USPC ..... **D24/129**
- (58) **Field of Classification Search**  
USPC ..... D24/127-131, 112-114, 133, 186  
CPC .. A61M 25/065; A61M 5/42; A61M 25/0612;  
A61M 25/00; A61M 39/00; A61M 27/00;  
A61M 25/0043; A61M 25/0067; A61M  
25/0097; A61F 2/958  
See application file for complete search history.

(56) **References Cited**

**U.S. PATENT DOCUMENTS**

5,842,466 A	12/1998	Selman
D430,293 S	8/2000	Jansen
D474,839 S	5/2003	Francavilla et al.



(56)

**References Cited**

U.S. PATENT DOCUMENTS

D910,170 S \* 2/2021 Scalise ..... D24/129  
D914,194 S \* 3/2021 Fiorenza ..... D24/129  
D925,733 S \* 7/2021 Doubet ..... A61M 5/3134  
D24/129  
D934,418 S \* 10/2021 Gertsenchtein ..... D24/112  
D936,218 S \* 11/2021 McLean ..... D24/129  
D940,306 S \* 1/2022 Osypka ..... D24/127  
D940,307 S \* 1/2022 Osypka ..... A61B 18/1492  
D24/127  
D956,214 S \* 6/2022 Petersen ..... D24/113  
D969,992 S \* 11/2022 Espinoza ..... D24/114  
D975,839 S \* 1/2023 Kuo ..... D24/129

\* cited by examiner

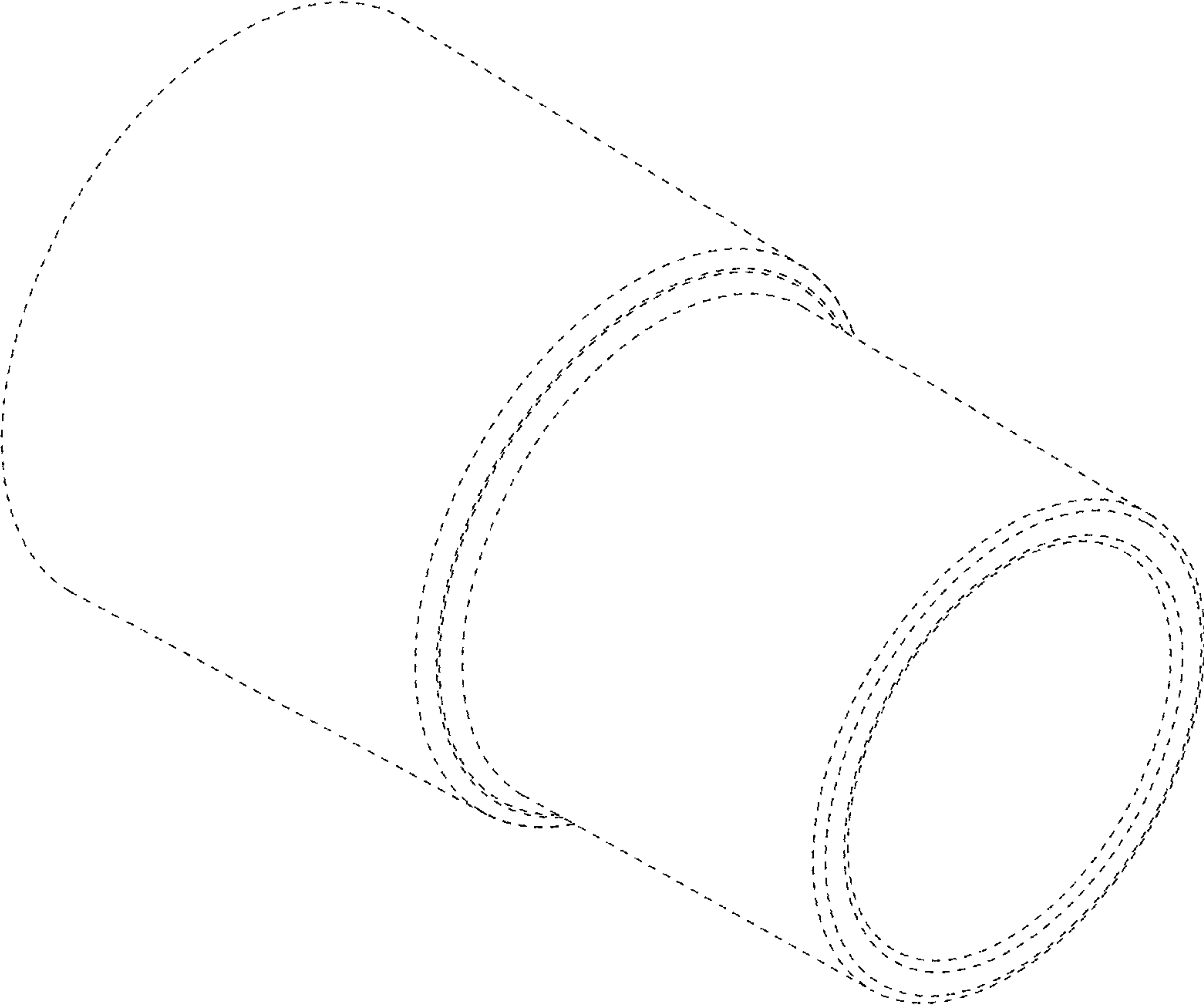


FIG. 1

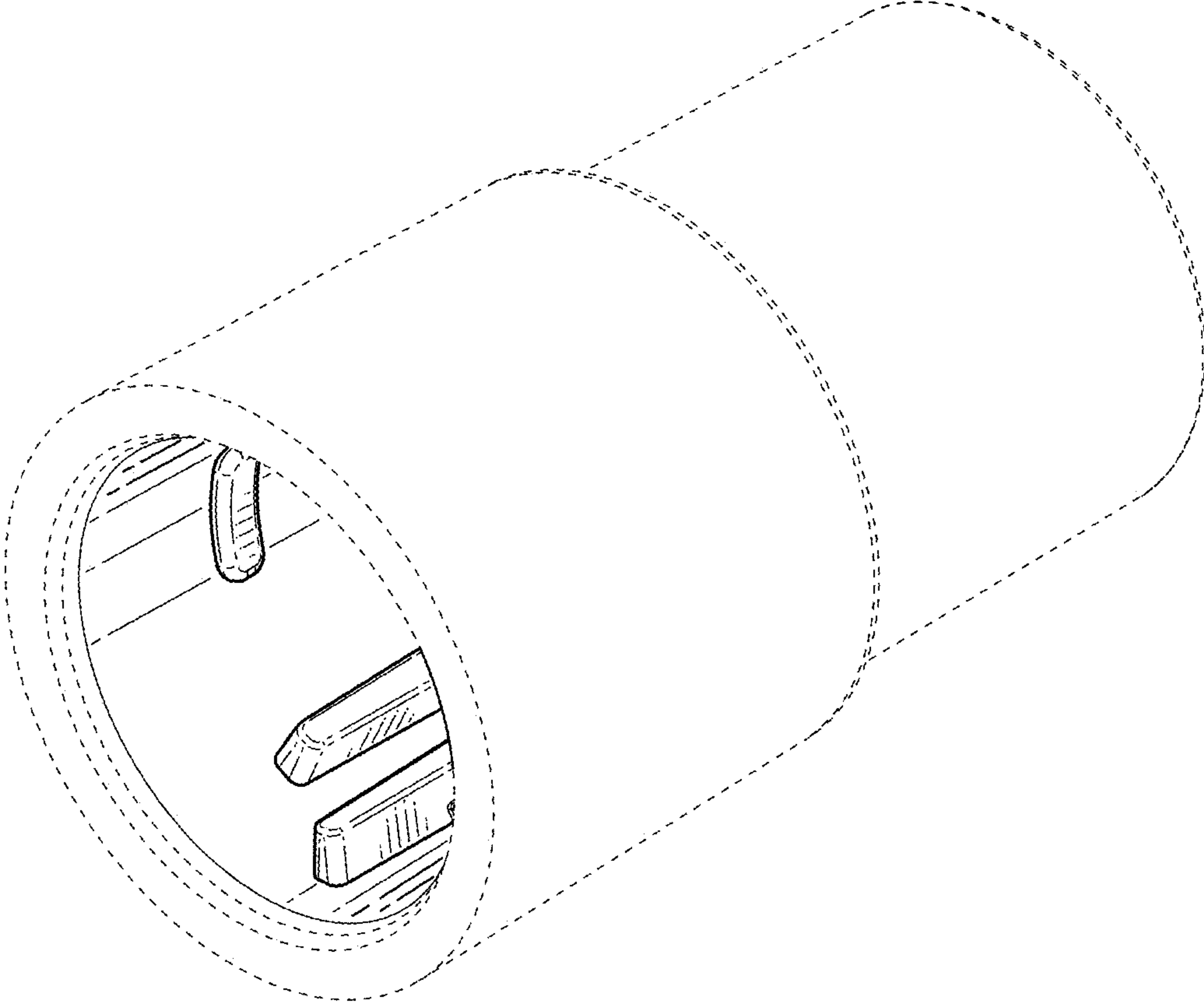


FIG. 2

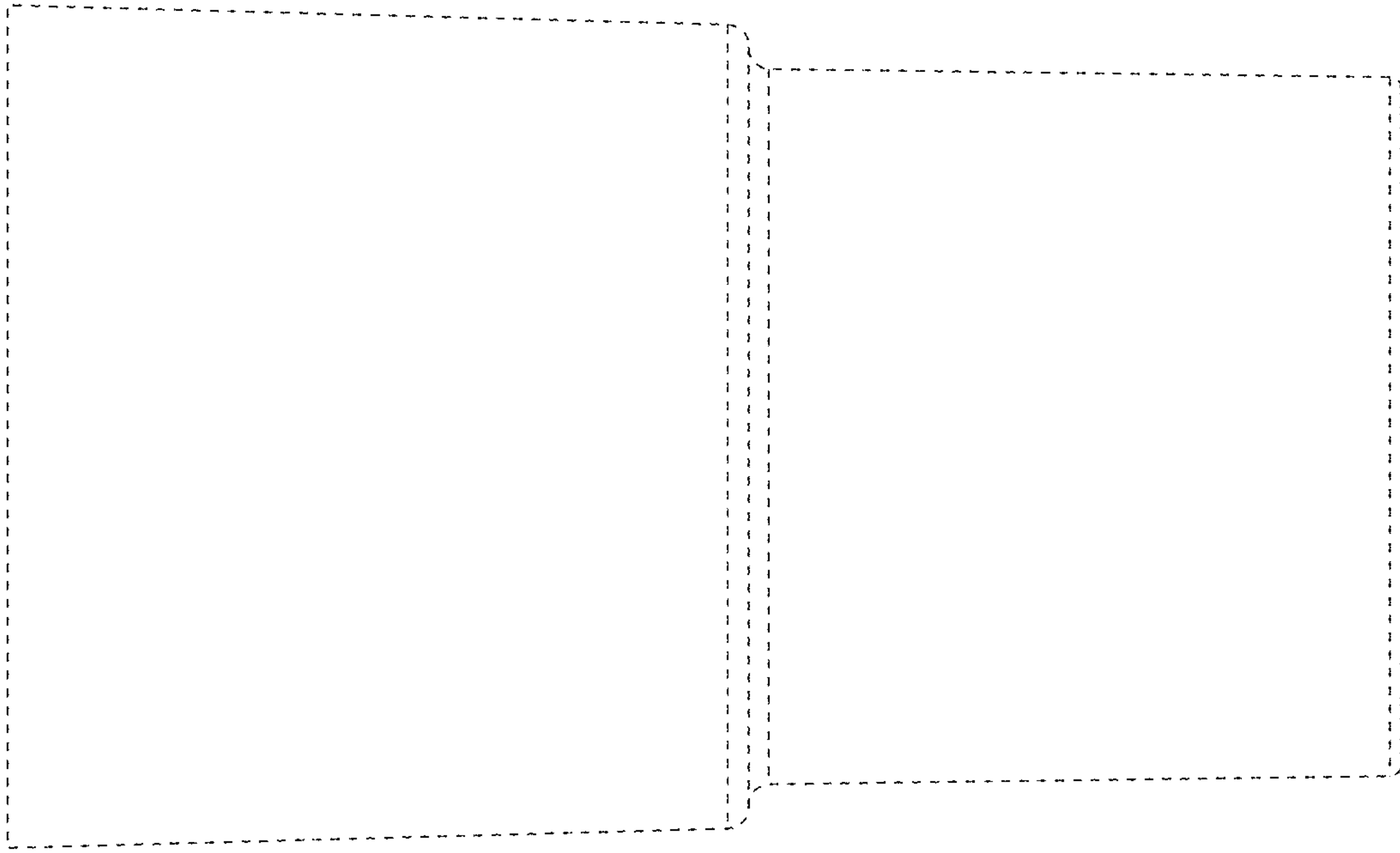


FIG. 3

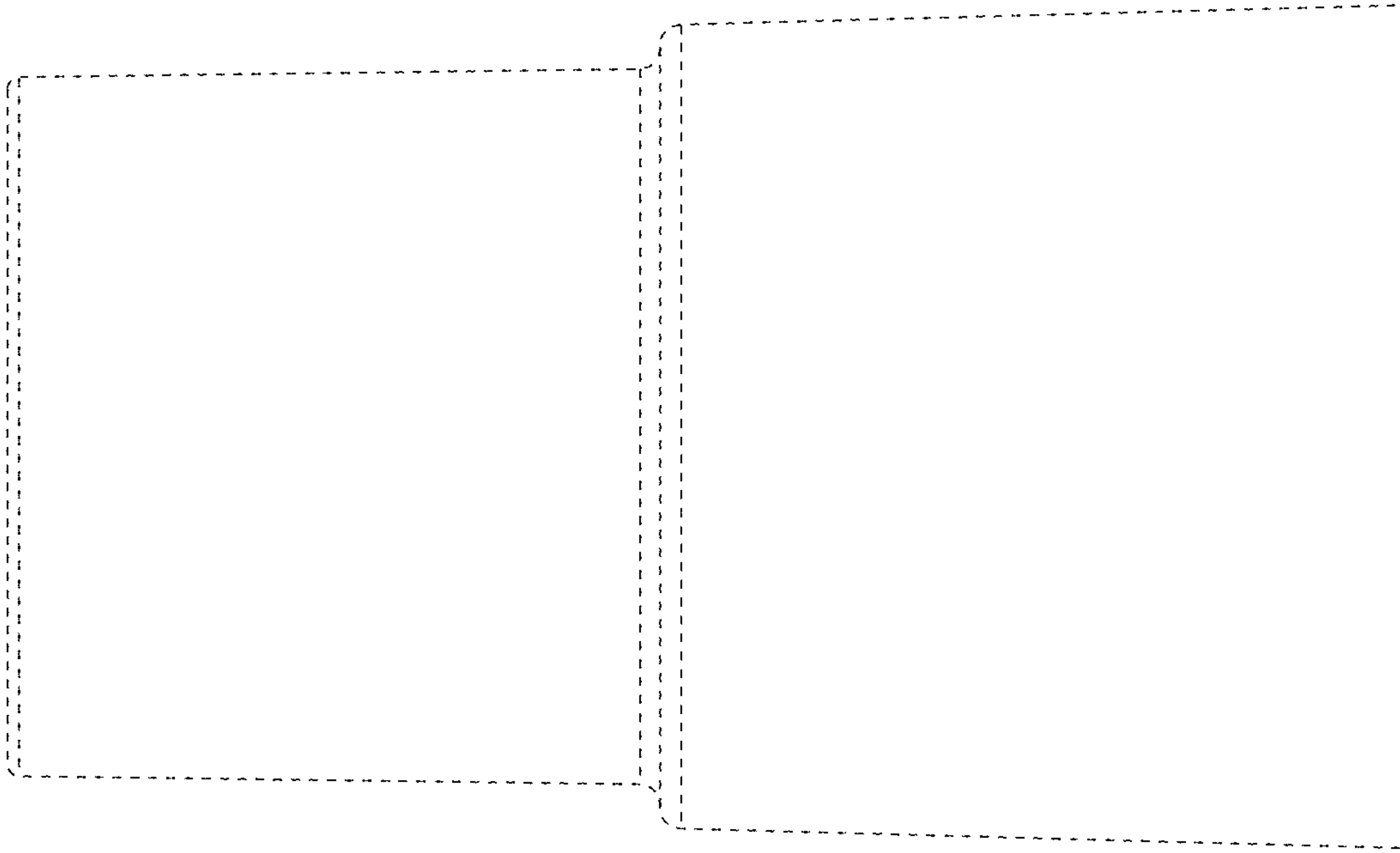


FIG. 4

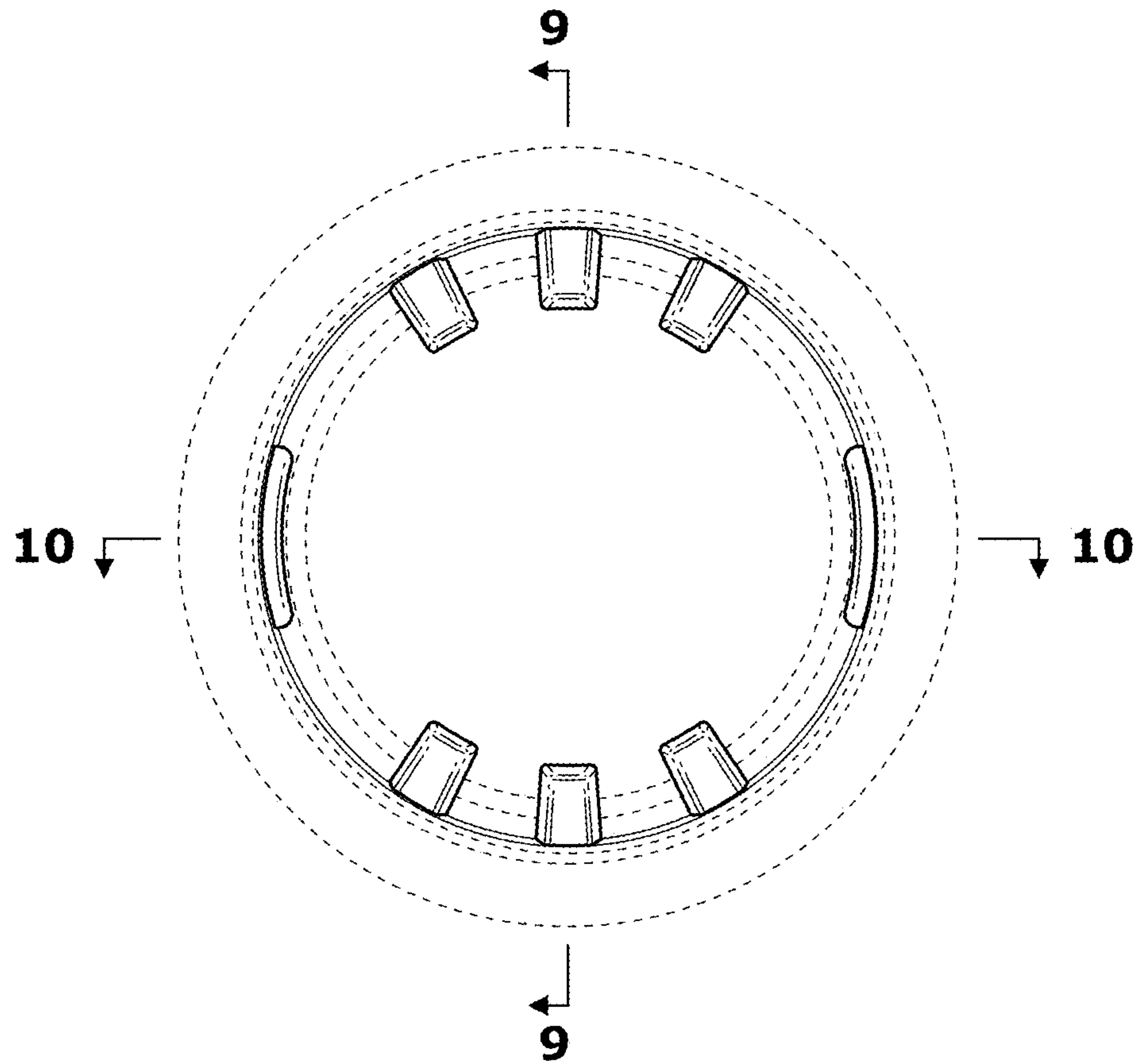


FIG. 5

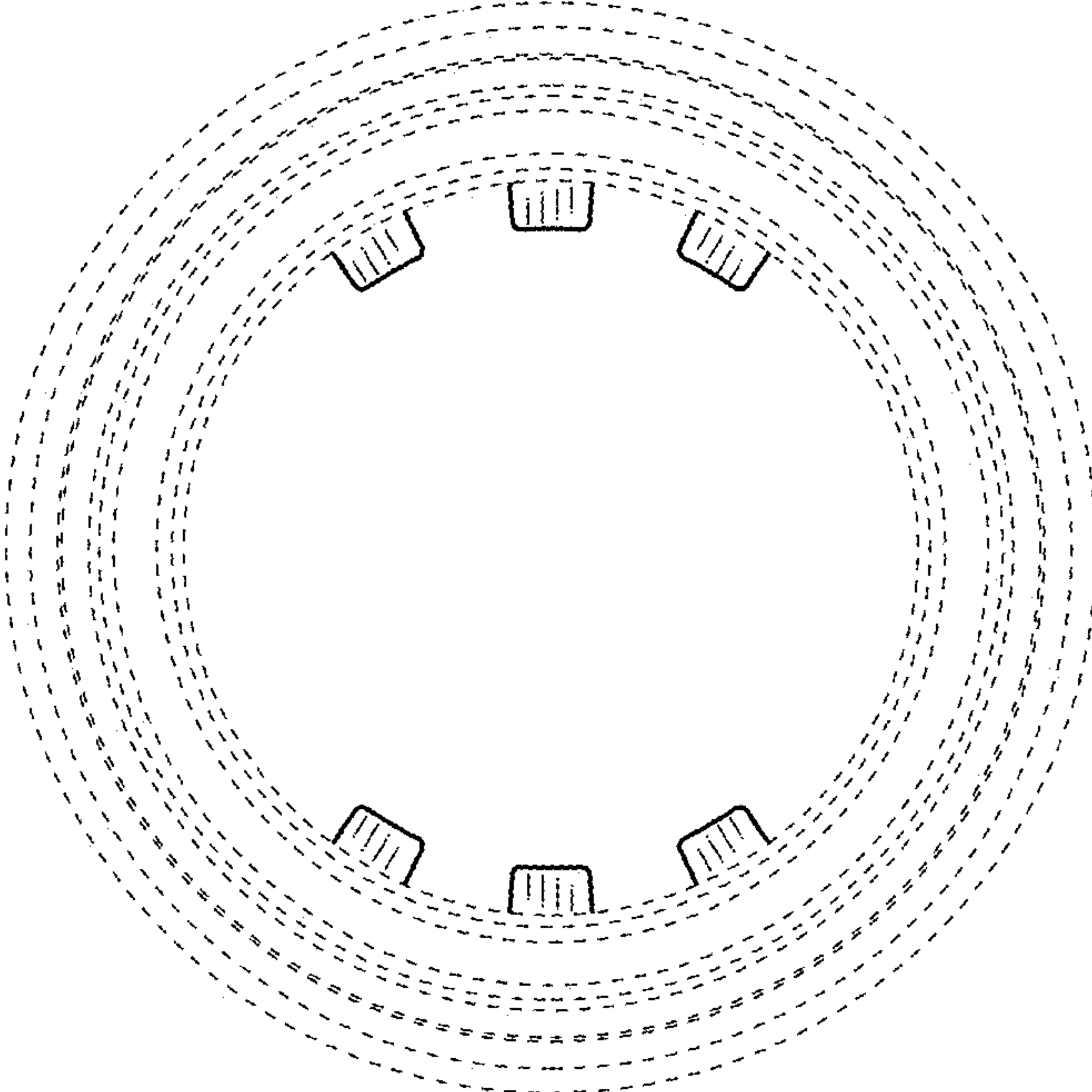


FIG. 6



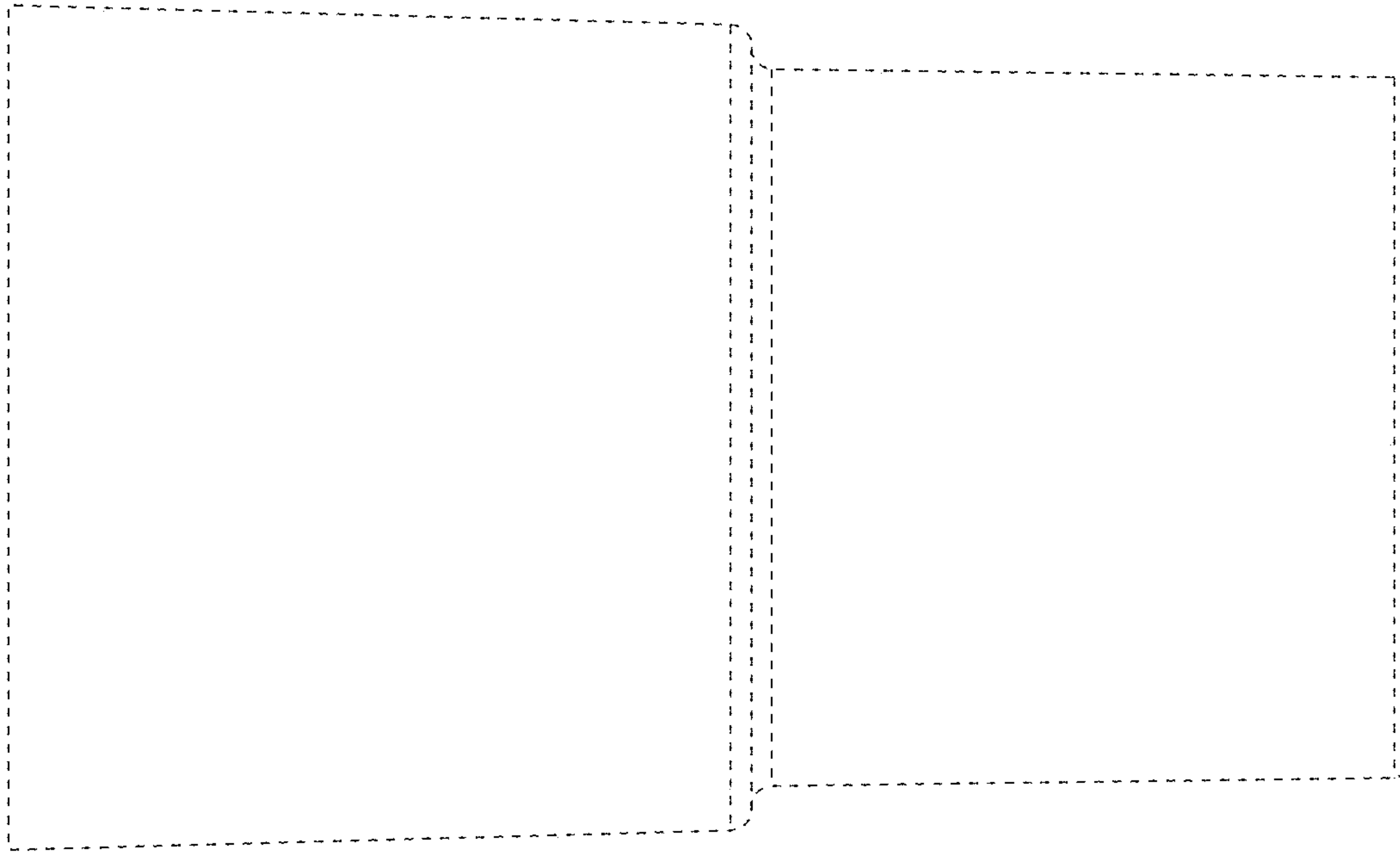


FIG. 7

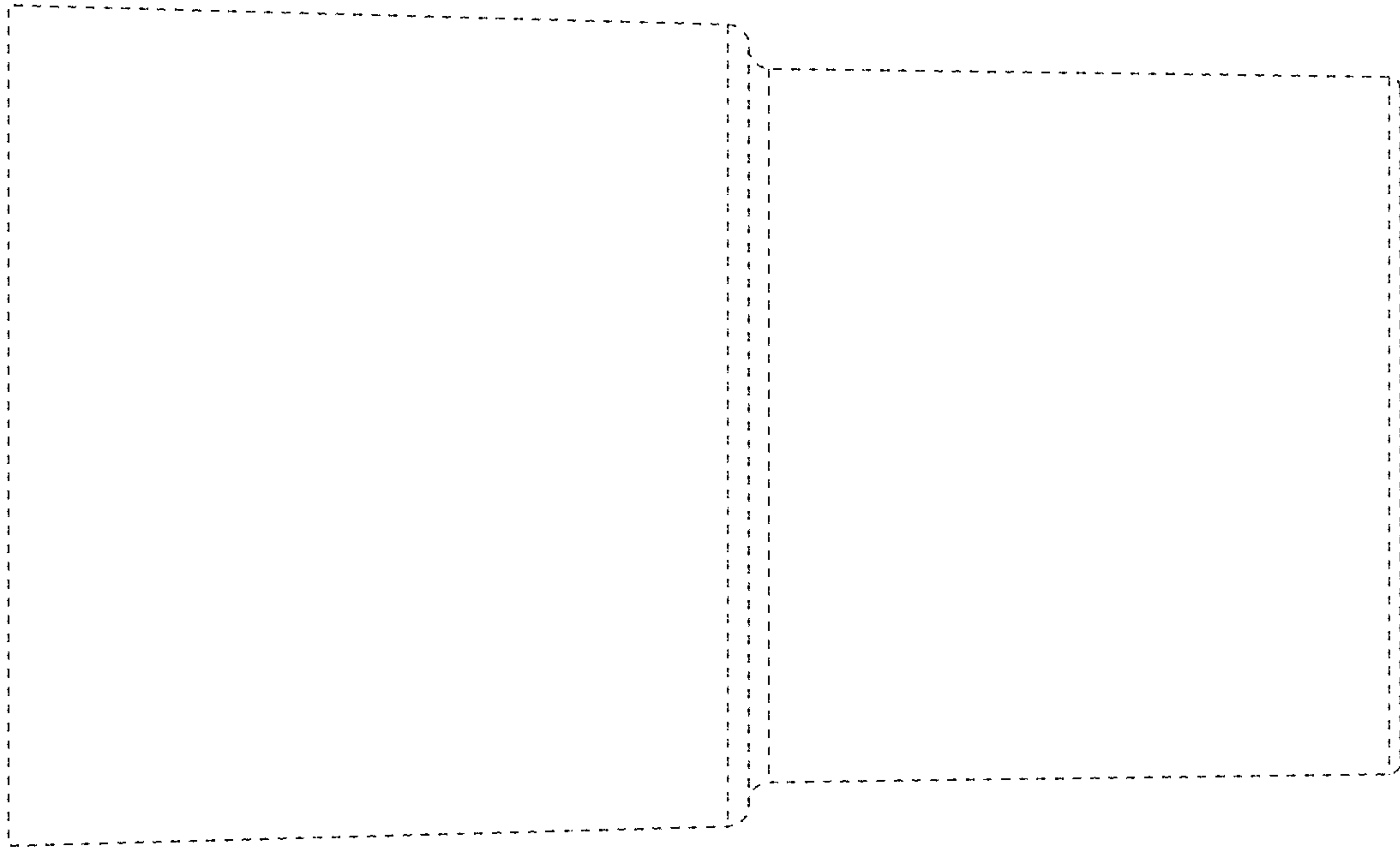


FIG. 8

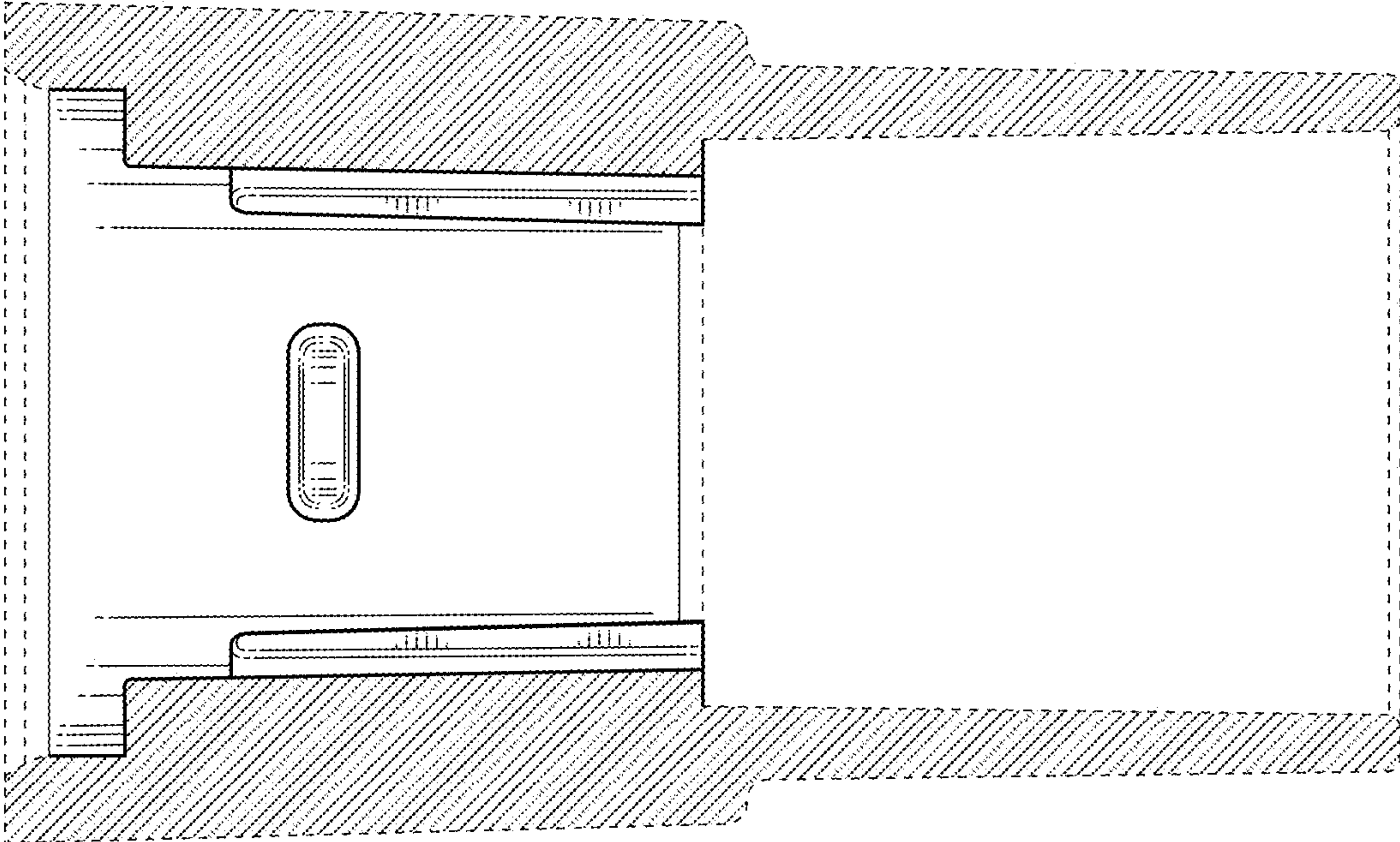


FIG. 9

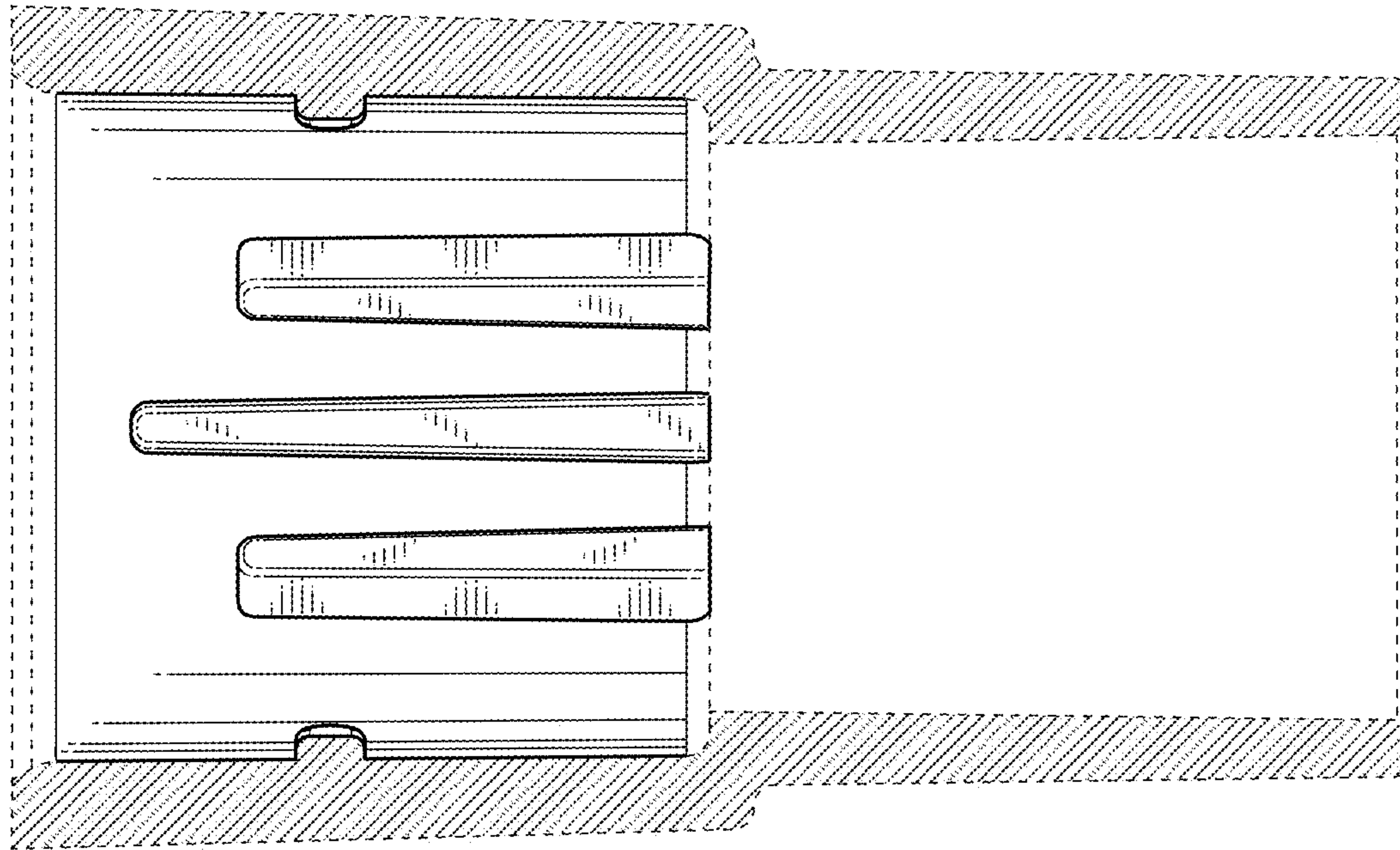


FIG. 10

UNITED STATES PATENT AND TRADEMARK OFFICE  
**CERTIFICATE OF CORRECTION**

PATENT NO. : D1,042,815 S  
APPLICATION NO. : 29/707718  
DATED : September 17, 2024  
INVENTOR(S) : David Robert Kemps et al.

Page 1 of 1

It is certified that error appears in the above-identified patent and that said Letters Patent is hereby corrected as shown below:

On the Title Page

Column 2, Line 10, under DESCRIPTION, delete "along" and insert --along line--.

Signed and Sealed this  
Tenth Day of December, 2024  
*Katherine Kelly Vidal*

Katherine Kelly Vidal  
*Director of the United States Patent and Trademark Office*