



US0D1042761S

(12) **United States Design Patent** (10) **Patent No.:** **US D1,042,761 S**
Stoltzfus et al. (45) **Date of Patent:** **** Sep. 17, 2024**

(54) **FIRE PIT**

- (71) Applicant: **Breeo, LLC**, Kinzers, PA (US)
- (72) Inventors: **Amos A. Stoltzfus**, Gordonville, PA (US); **Jonathan C. Miller**, New Providence, PA (US); **Christopher Boehmer**, Shohola, PA (US)
- (73) Assignee: **Breeo, LLC**, Kinzers, PA (US)
- (**) Term: **15 Years**
- (21) Appl. No.: **29/847,956**
- (22) Filed: **Jul. 28, 2022**
- (51) **LOC (14) Cl.** **23-01**
- (52) **U.S. Cl.**
USPC **D23/332**
- (58) **Field of Classification Search**
USPC D23/332, 334, 335, 336, 337, 338, 339, D23/340, 341, 343, 346, 348; D7/332, D7/333, 334, 335, 337, 339, 341
CPC F24C 1/16; F24C 5/00; F24C 3/14; A47J 33/00; A47J 37/0763; A47J 37/07; F24B 1/18; F24B 1/182; F24B 1/1808; F24B 1/181; F24B 1/195
See application file for complete search history.

(56) **References Cited**

U.S. PATENT DOCUMENTS

1,996,349 A	4/1935	Ross
2,210,720 A	8/1940	Johnson et al.
2,419,379 A	4/1947	Tindell, Jr.
2,604,884 A	7/1952	Walker
D186,487 S	10/1959	Brooks
D191,186 S	8/1961	Maki
3,220,400 A	11/1965	Yager
D204,348 S	4/1966	Shilling
3,458,895 A	8/1969	Miller, II
3,742,839 A	7/1973	Maley

(Continued)

OTHER PUBLICATIONS

U.S. Pat. No. D. 1,004,062 issued Nov. 7, 2023, Stoltzfus.

(Continued)

Primary Examiner — Ania Aman

(74) *Attorney, Agent, or Firm* — Fred Zollinger

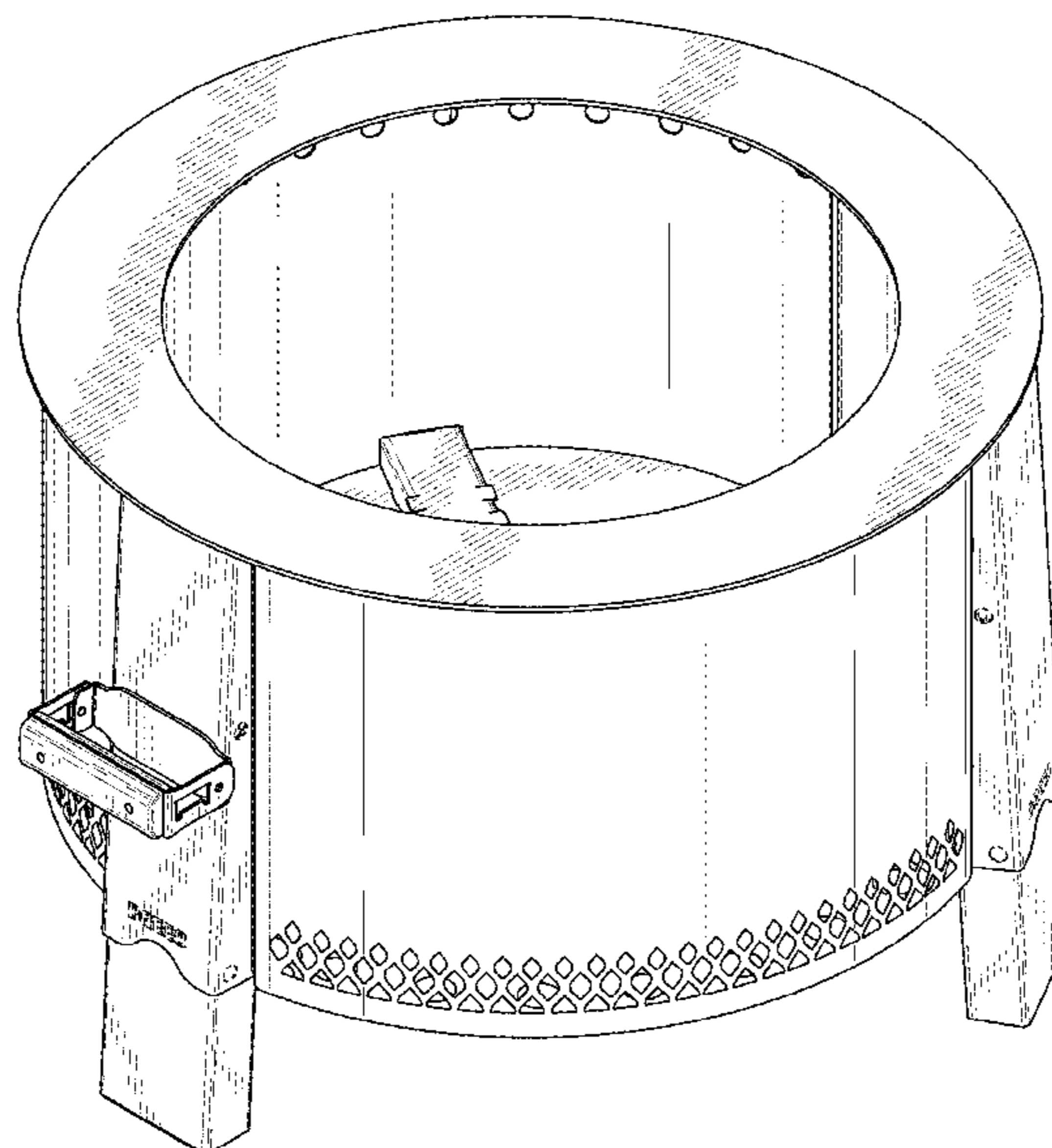
(57) **CLAIM**

The ornamental design for a fire pit, as shown and described.

DESCRIPTION

FIG. 1 is a perspective view of a fire pit showing our new design with the legs in a first position.
 FIG. 2 is a front elevation view thereof.
 FIG. 3 is a rear elevation view thereof.
 FIG. 4 is a left side elevation view thereof.
 FIG. 5 is a right side elevation view thereof.
 FIG. 6 is a top plan view thereof.
 FIG. 7 is a bottom plan view thereof.
 FIG. 8 is a section view taken along line 8-8 of FIG. 6.
 FIG. 9 is a perspective view of the fire pit with the legs in a second position.
 FIG. 10 is a front elevation view thereof.
 FIG. 11 is a rear elevation view thereof.
 FIG. 12 is a left side elevation view thereof.
 FIG. 13 is a right side elevation view thereof.
 FIG. 14 is a top plan view thereof.
 FIG. 15 is a perspective view of the fire pit with the legs in a third position.
 FIG. 16 is a front elevation view thereof.
 FIG. 17 is a rear elevation view thereof.
 FIG. 18 is a left side elevation view thereof.
 FIG. 19 is a right side elevation view thereof; and,
 FIG. 20 is a top plan view thereof.
 The dashed lines shown in the drawings are for purposes of illustrating portions of the article that form no part of the claimed design.

1 Claim, 20 Drawing Sheets



(56)

References Cited

U.S. PATENT DOCUMENTS

3,765,397 A 10/1973 Henderson
 3,868,943 A 3/1975 Hottenroth et al.
 3,982,522 A 9/1976 Hottenroth et al.
 D263,918 S 4/1982 Boyd
 D264,541 S 5/1982 Bruveris
 4,471,751 A 9/1984 Hottenroth et al.
 4,548,193 A 10/1985 Marogil
 4,667,651 A 5/1987 Groeneweg
 4,732,138 A 3/1988 Vos
 4,762,114 A 8/1988 Blankemeyer
 4,813,308 A 3/1989 Petrus
 D315,846 S 4/1991 Hatzenbeller
 5,094,223 A 3/1992 Gonzalez
 D327,602 S 7/1992 Walker
 5,133,266 A 7/1992 Cullen
 D335,811 S 5/1993 Bengtson et al.
 D342,184 S 12/1993 Sanchez
 D344,207 S 2/1994 Bauman
 D349,024 S 7/1994 Doffee
 D369,939 S 5/1996 Gibbs
 5,572,983 A 11/1996 Schlosser et al.
 5,596,980 A 1/1997 Whalen et al.
 D382,765 S 8/1997 Kellermann
 D390,935 S 2/1998 Bosje et al.
 5,797,386 A 8/1998 Orr
 5,832,915 A 11/1998 Skidmore et al.
 5,842,463 A 12/1998 Hall
 5,862,742 A 1/1999 Bjerg
 5,873,356 A 2/1999 Vossler et al.
 6,070,571 A 6/2000 Bradbury
 D440,638 S 4/2001 Lefroy-Brooks
 6,289,795 B1 9/2001 McLemore et al.
 6,289,887 B1 9/2001 Oliver, Jr. et al.
 6,298,843 B1 10/2001 Olsen et al.
 6,336,449 B1 1/2002 Drisdelle et al.
 6,354,288 B1 3/2002 McDonald
 D457,029 S 5/2002 Wickizer
 6,386,192 B1 5/2002 Weber
 6,578,568 B1 6/2003 Dufort et al.
 6,845,705 B1 1/2005 Chen
 7,007,687 B2 3/2006 Lewis
 7,063,006 B1 6/2006 Spehle et al.
 D563,144 S 3/2008 Melzer et al.
 7,383,836 B2 6/2008 Klemming
 D577,946 S 10/2008 Carroll
 D582,197 S 12/2008 Parmelee
 D592,443 S 5/2009 Fraser
 D624,350 S 9/2010 Wu
 8,272,601 B2 9/2012 Kocher
 D679,791 S 4/2013 Lowsky
 D690,405 S 9/2013 Lowsky
 D701,721 S 4/2014 Jan
 D715,611 S 10/2014 Stamm et al.
 8,893,703 B2 11/2014 DeFoort et al.
 D724,714 S 3/2015 Benson et al.
 8,991,382 B1 3/2015 Mau
 D726,235 S 4/2015 Nauli
 D734,975 S 7/2015 Troyer, Jr.
 9,215,950 B2 12/2015 Walker
 D774,172 S 12/2016 Zemel et al.
 D780,897 S 3/2017 Weng
 D790,677 S 6/2017 Horsfield
 D792,567 S 7/2017 Zemel et al.
 D796,655 S 9/2017 Horne, III
 9,763,539 B2 9/2017 Robles
 D801,495 S 10/2017 Home, III
 D812,957 S 3/2018 McGuinness
 10,098,502 B2 10/2018 Ohler et al.
 10,130,212 B2 11/2018 Lopez
 10,222,092 B1 3/2019 Traeger
 D845,455 S 4/2019 Horsfield
 D858,729 S 9/2019 Scott
 10,473,334 B2 11/2019 Crosen
 10,517,428 B2 12/2019 Marlett
 D877,553 S 3/2020 Jordan

10,588,455 B2 3/2020 Horne, III
 10,888,195 B1 1/2021 Norris et al.
 D914,172 S 3/2021 Stoltzfus
 D917,682 S 4/2021 Stoltzfus
 D918,357 S 5/2021 Stoltzfus
 D918,358 S 5/2021 Stoltzfus
 D919,777 S 5/2021 Stoltzfus
 D927,659 S 8/2021 Stoltzfus
 D954,921 S 6/2022 Stoltzfus et al.
 D956,193 S 6/2022 Stoltzfus
 D961,321 S 8/2022 Lam
 D965,121 S * 9/2022 Stoltzfus D23/343
 11,585,534 B2 2/2023 Stoltzfus et al.
 2002/0040644 A1 * 4/2002 McLemore A47J 37/0786
 99/450
 2004/0055590 A1 3/2004 Warnick et al.
 2006/0236996 A1 10/2006 Mosher, II et al.
 2007/0017500 A1 1/2007 Chen
 2007/0137634 A1 6/2007 Traeger et al.
 2007/0272229 A1 11/2007 Becker et al.
 2007/0289587 A1 12/2007 Eckes
 2008/0105252 A1 5/2008 Barbour et al.
 2010/0258106 A1 10/2010 Simms, II
 2011/0073098 A1 3/2011 Chang
 2011/0186033 A1 * 8/2011 Chang A47J 37/079
 126/25 B
 2012/0145139 A1 6/2012 Deeds
 2012/0196232 A1 8/2012 Miller
 2012/0312297 A1 12/2012 Walker
 2014/0238378 A1 8/2014 Scott
 2014/0338585 A1 11/2014 McBride et al.
 2015/0075514 A1 3/2015 Kuenzinger
 2015/0136112 A1 5/2015 Dyson
 2015/0201804 A1 7/2015 Liao
 2015/0267919 A1 9/2015 Zemel et al.
 2015/0285507 A1 10/2015 Troyer, Jr.
 2015/0305561 A1 10/2015 Andol
 2016/0029841 A1 2/2016 Walker
 2016/0166109 A1 6/2016 Banal et al.
 2017/0303741 A1 10/2017 Horne, III
 2018/0184840 A1 7/2018 Maga
 2019/0137107 A1 5/2019 Crosen
 2019/0159630 A1 5/2019 Salum
 2020/0077840 A1 3/2020 White
 2020/0096199 A1 3/2020 Harrington et al.
 2020/0352379 A1 11/2020 Fiveash
 2020/0370753 A1 11/2020 Goin
 2021/0018180 A1 1/2021 Jan et al.
 2021/0045578 A1 2/2021 Stoltzfus
 2021/0048188 A1 2/2021 Harrington et al.
 2021/0156565 A1 5/2021 Skillman
 2021/0180792 A1 * 6/2021 Kovar F24B 1/192
 2021/0404663 A1 12/2021 Strange
 2022/0260255 A1 8/2022 Farrer
 2022/0349582 A1 11/2022 Stoltzfus et al.
 2023/0043482 A1 * 2/2023 Allgyer A47J 33/00
 2023/0132862 A1 * 5/2023 Spinney F24B 1/193
 126/25 R
 2024/0035662 A1 2/2024 Stoltzfus et al.

OTHER PUBLICATIONS

Jan. 19, 2011 Fire Pit w/ Kettle Winch publication, Beaver Creek Furniture.
 Printed from <https://breeo.co> Aug. 15, 2019; breeo Smokeless Fire Pits, Luxeve.
 Breeo, LLC, Double Flame 17" Grill & Post, downloaded on Sep. 4, 2019 from <https://breeo.co/collections/double-flame/products/double-flame-17-grill-post>.
 Breeo, LLC, Double Flame 19" Smokeless Fire Pit, downloaded on Sep. 4, 2019 from <https://breeo.co/collections/double-flame/products/double-flame-19-fire-pit-stainless>.
 Breeo, LLC, Double Flame 24" Smokeless Fire Pit—Steel, downloaded on Sep. 4, 2019 from <https://breeo.co/collections/double-flame/products/double-flame-24-fire-pit-steel>.
 Breeo, LLC, Double Flame 24" Smokeless Fire Pit—Stainless, downloaded on Sep. 4, 2019 from <https://breeo.co/collections/double-flame/products/double-flame-24-fire-pit-stainless>.

(56)

References Cited

OTHER PUBLICATIONS

Breeo, LLC, Double Flame 24" Double Flame 24" Grill & Post, downloaded on Sep. 4, 2019 from <https://breeo.co/collections/double-flame/products/double-flame-24-grill-post>.

Breeo, LLC, Phoenix, downloaded on Sep. 4, 2019 from <https://breeo.co/collections/phoenix>.

Yardcraft, The Forge Smokeless Fire Pit, accessed Apr. 22, 2021, printed May 11, 2021, from www.yardcraft.com/product/fire-pits/urban-fire-collection/the-forge-smokeless-fire-pit.

U.S. Pat. No. 613,781, Nov. 8, 1898, Schneider.

* cited by examiner

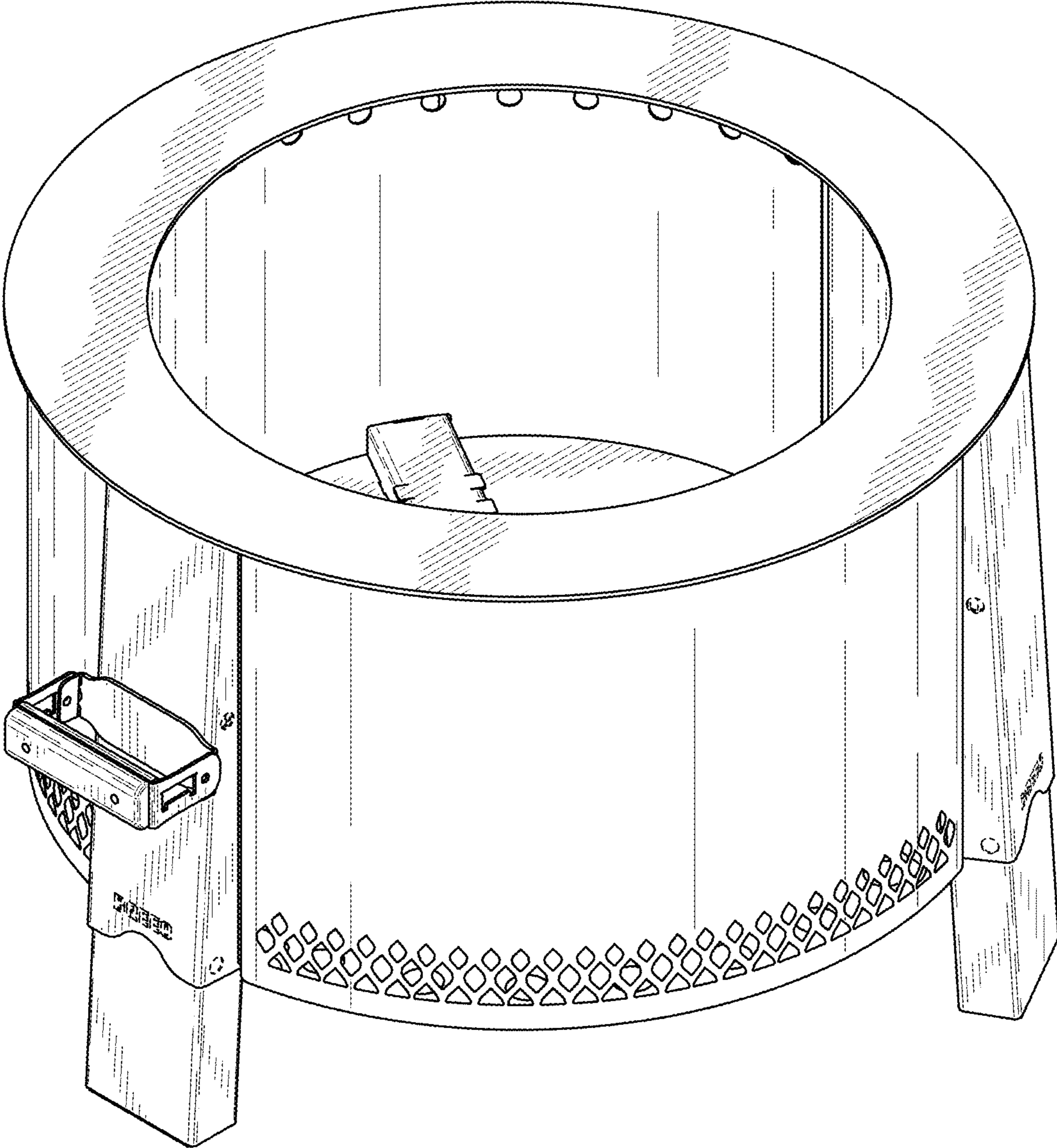


FIG. 1

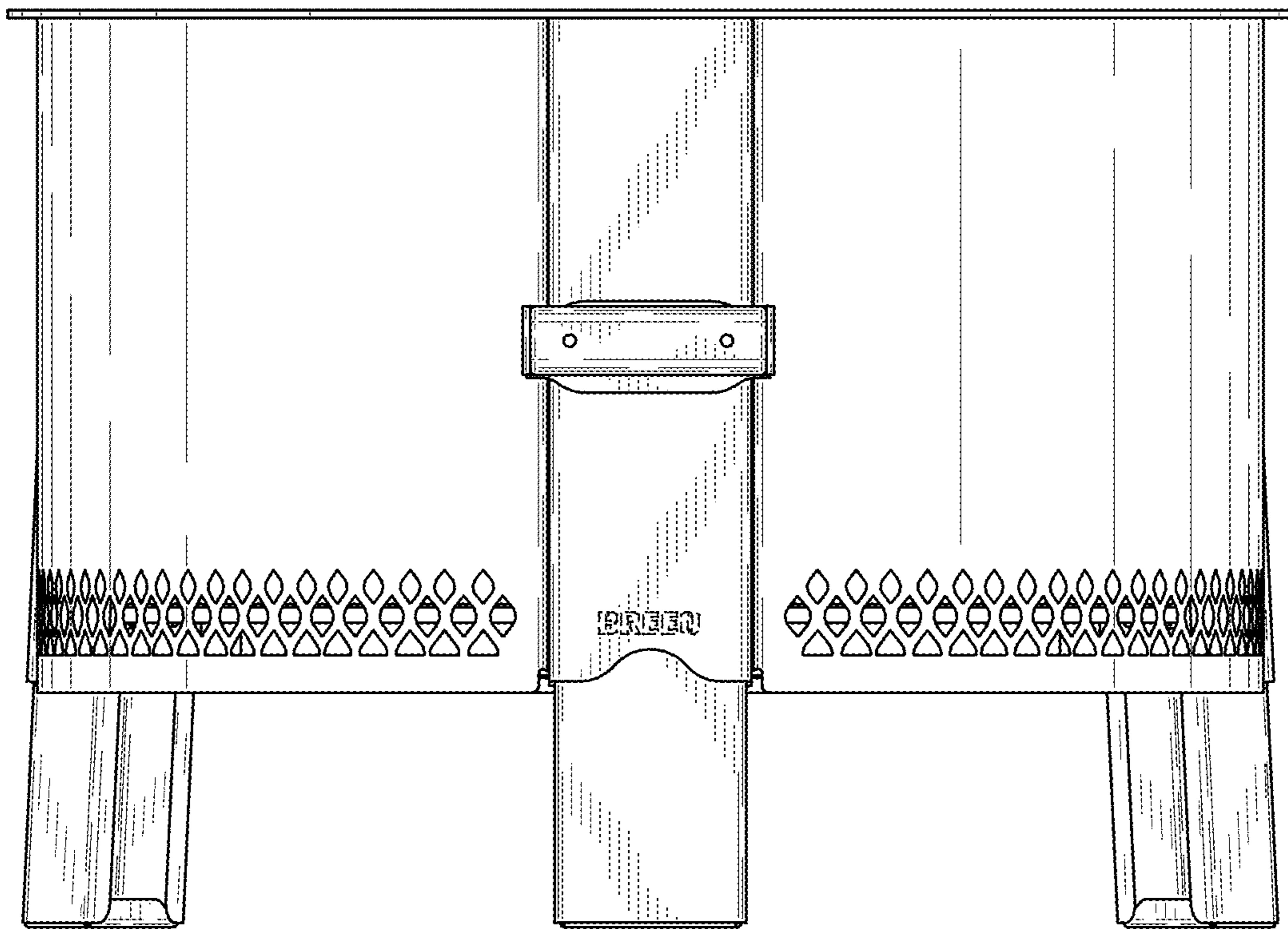


FIG. 2

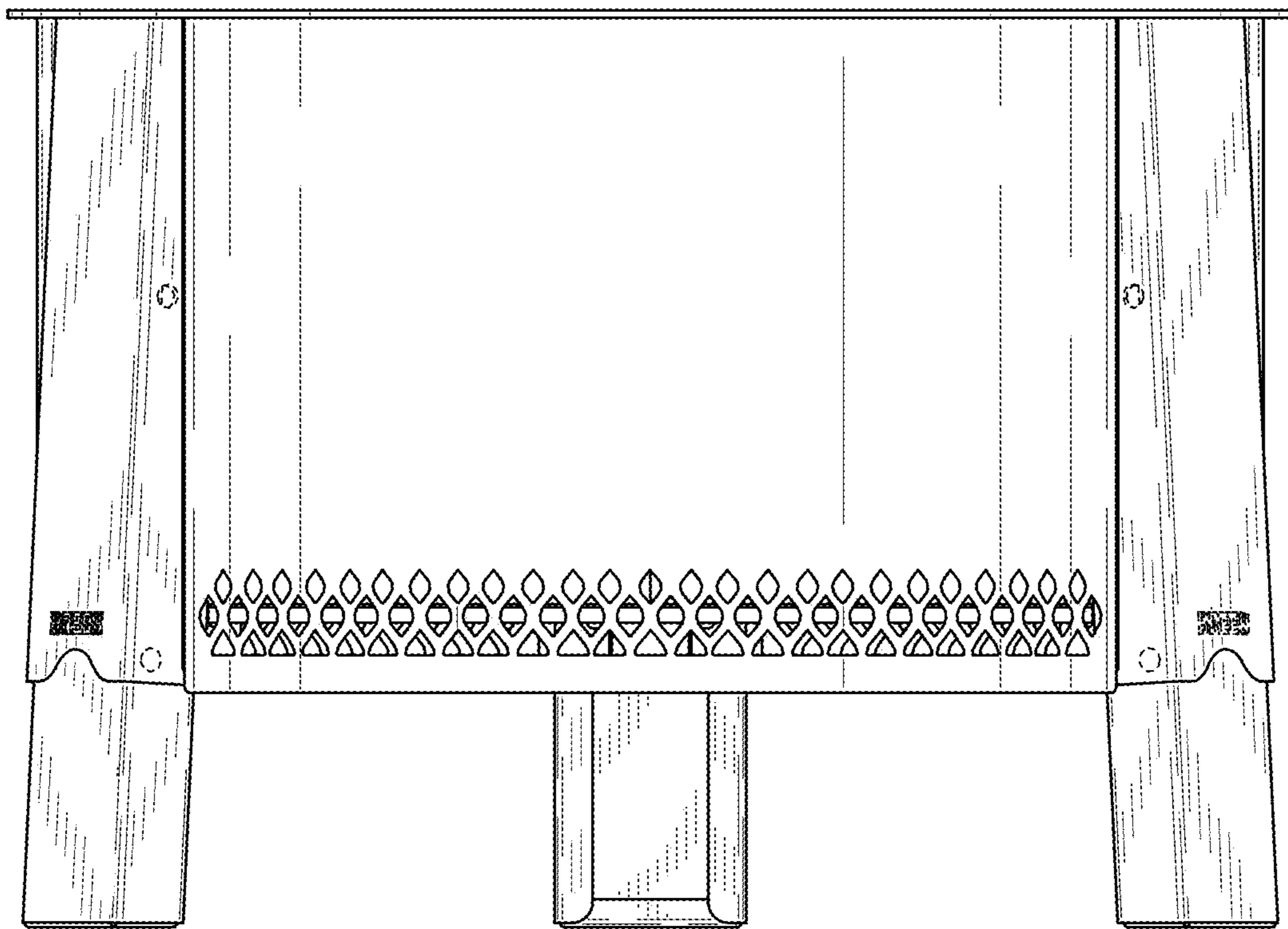


FIG. 3

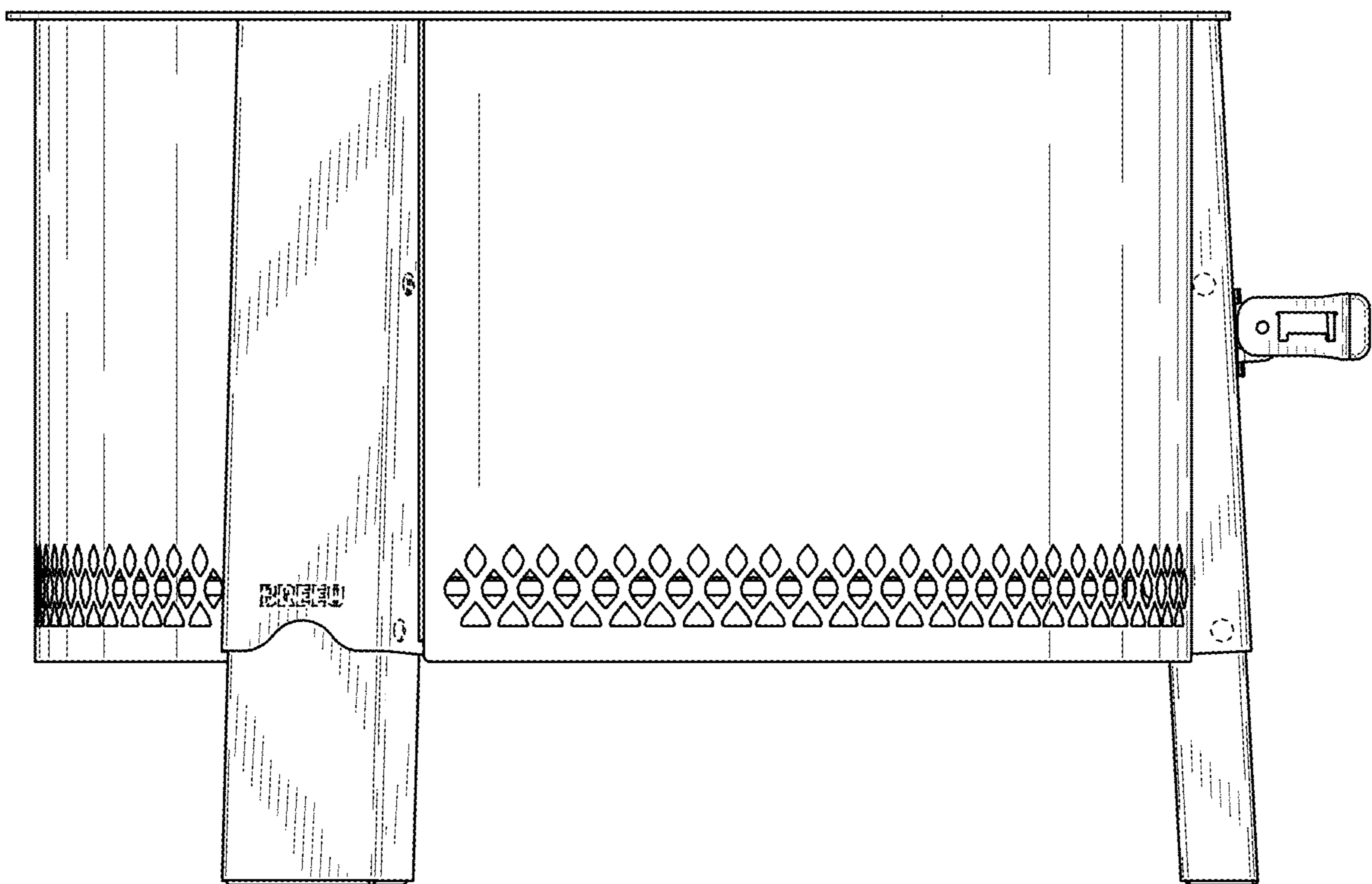


FIG. 4

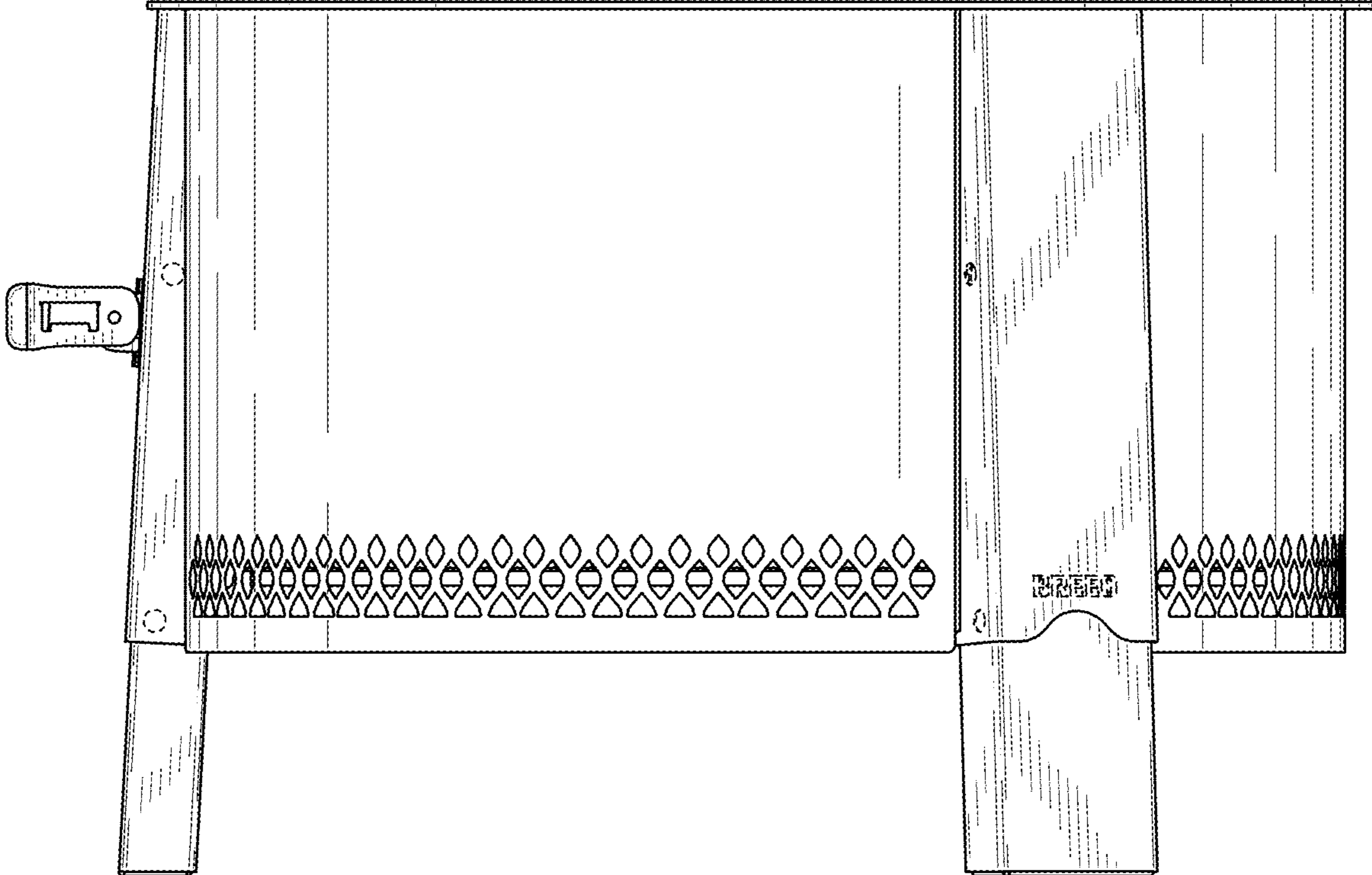


FIG. 5

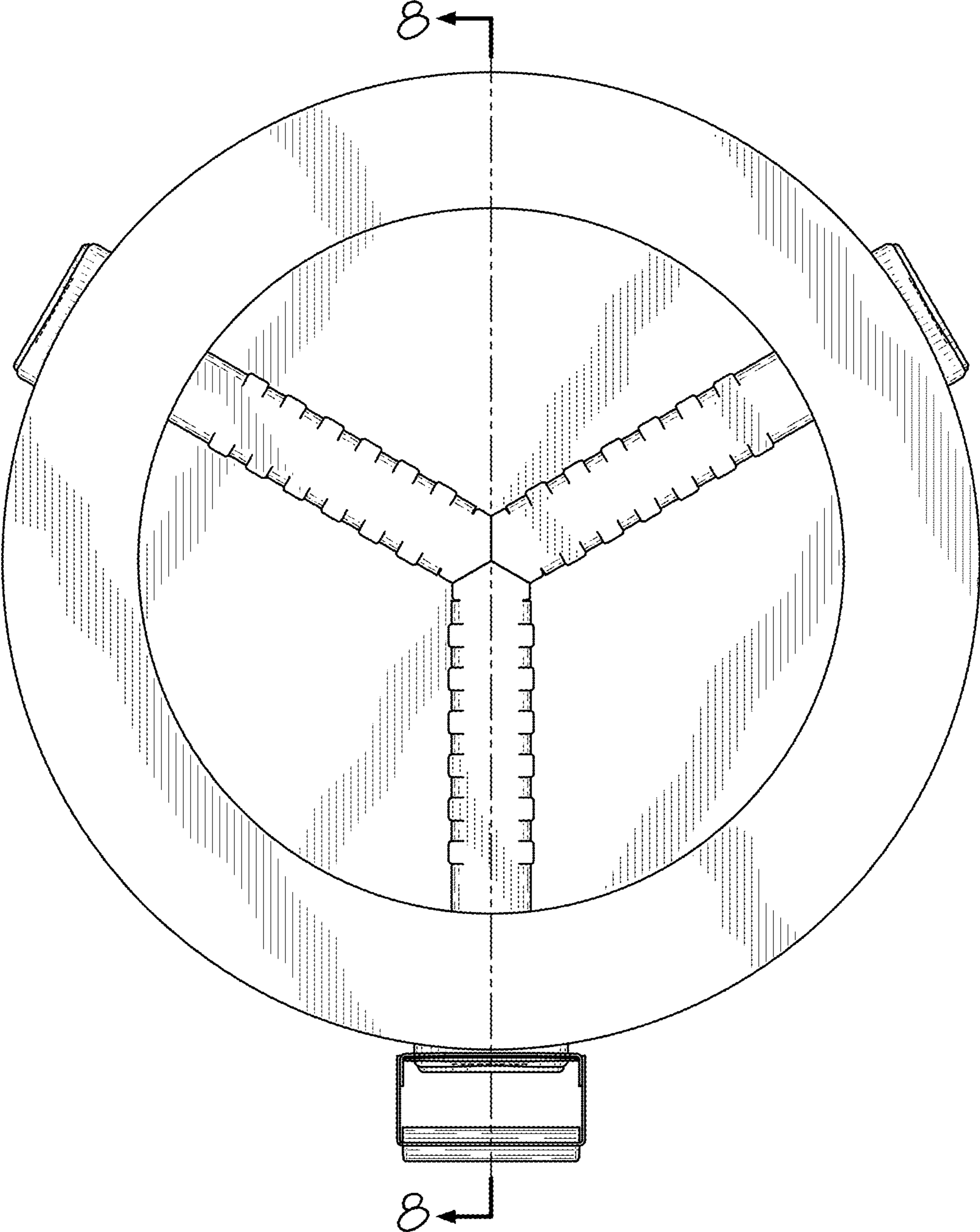


FIG. 6

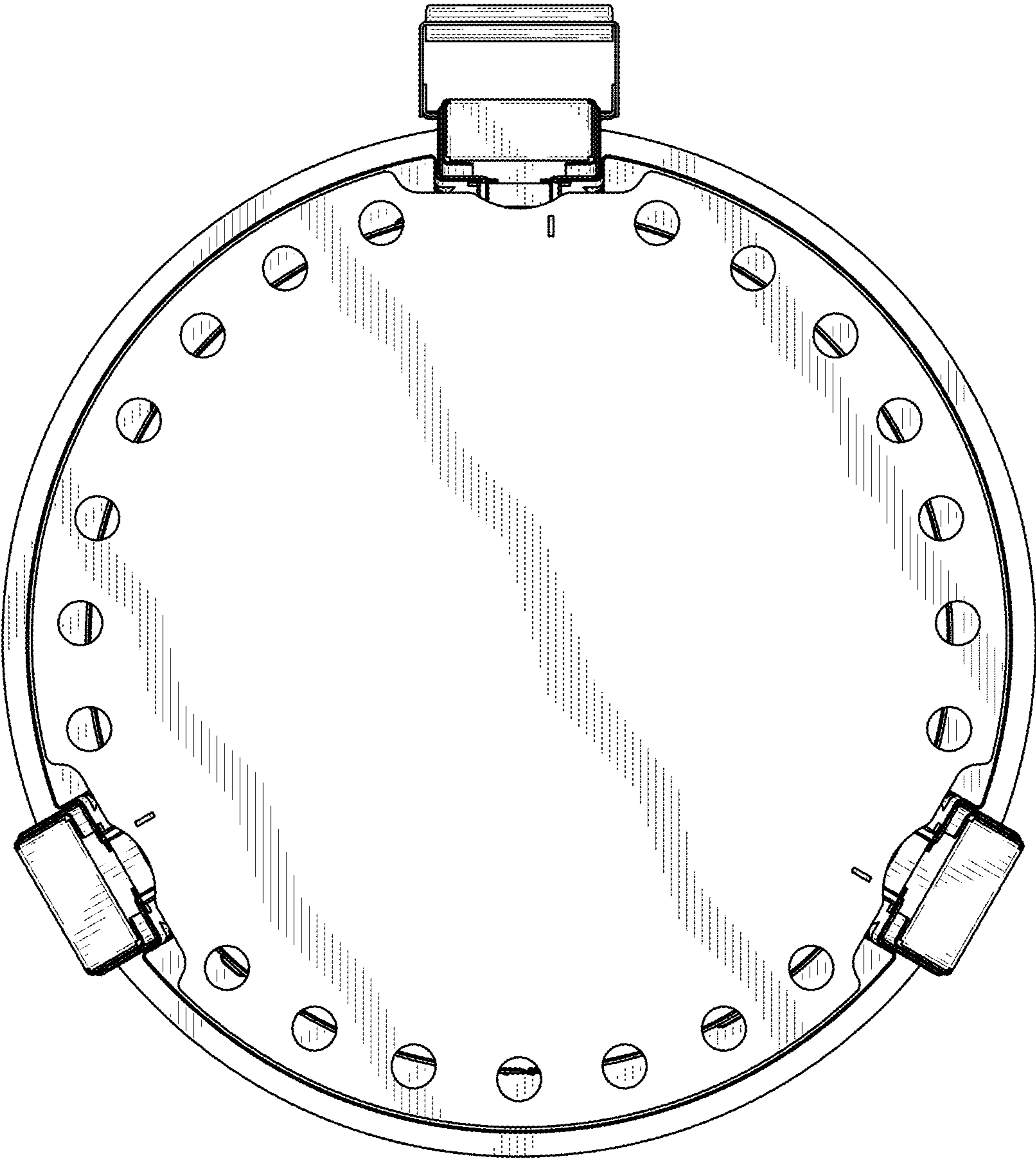


FIG. 7

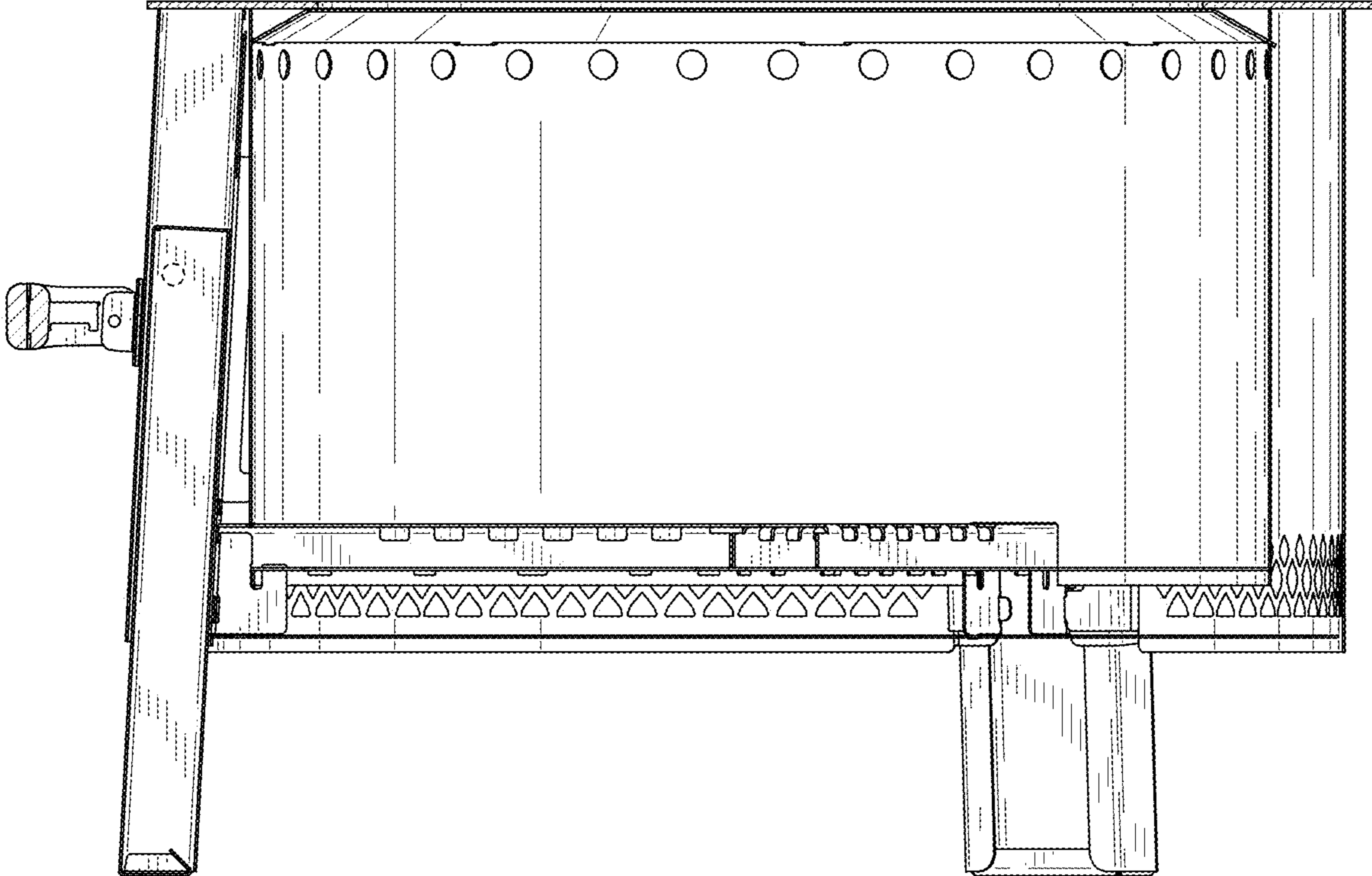


FIG. 8

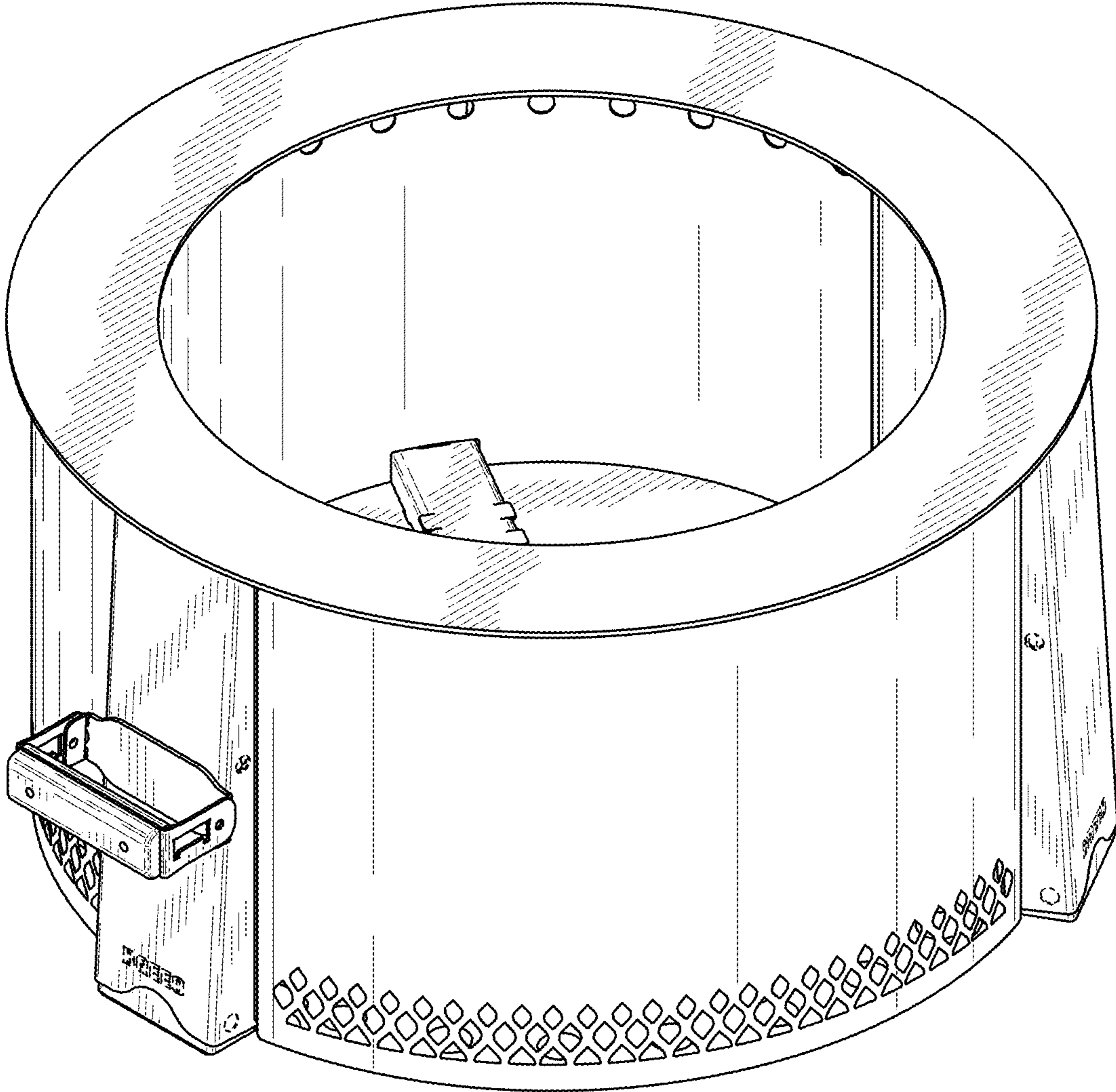


FIG. 9

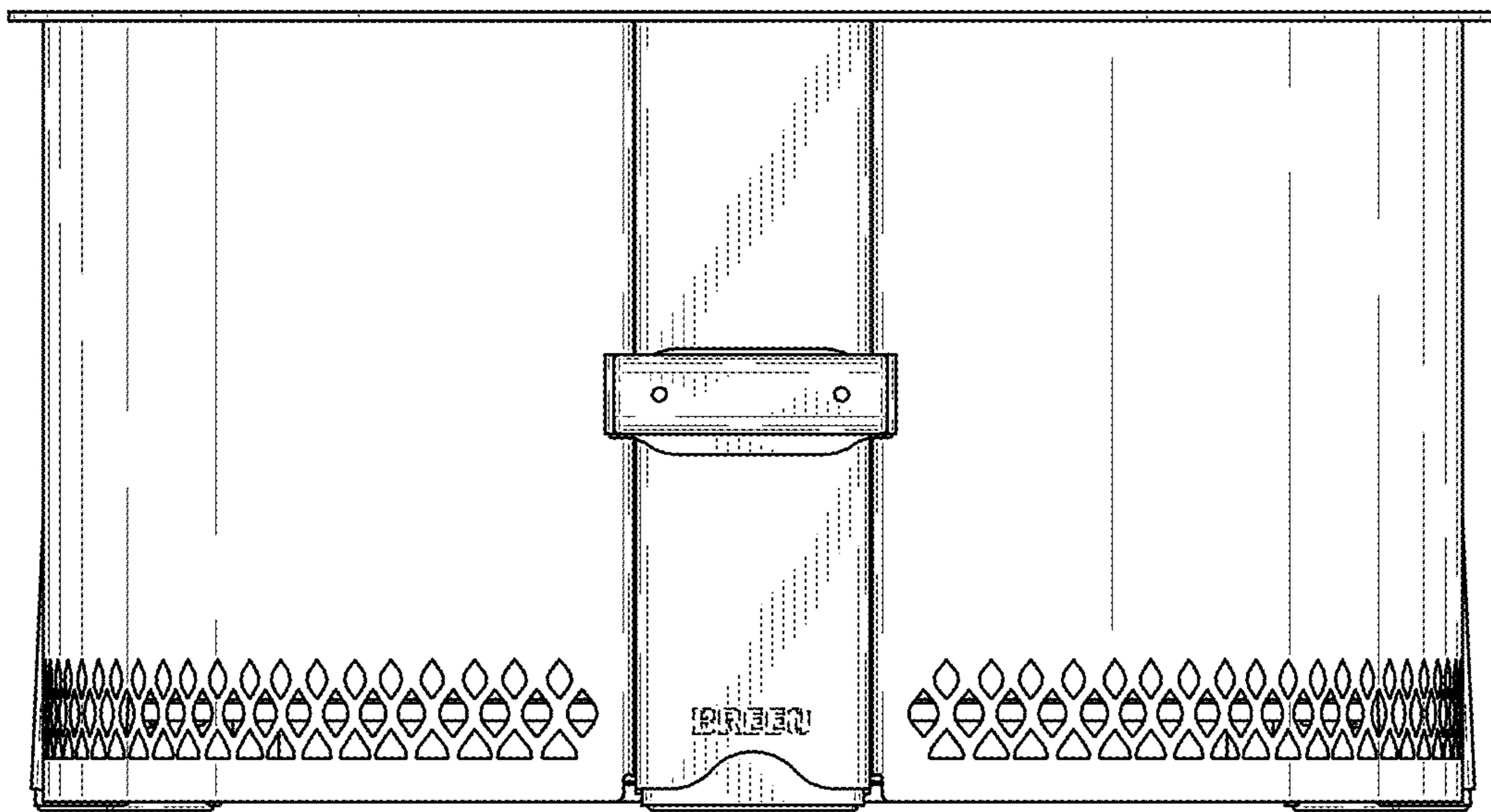


FIG. 10

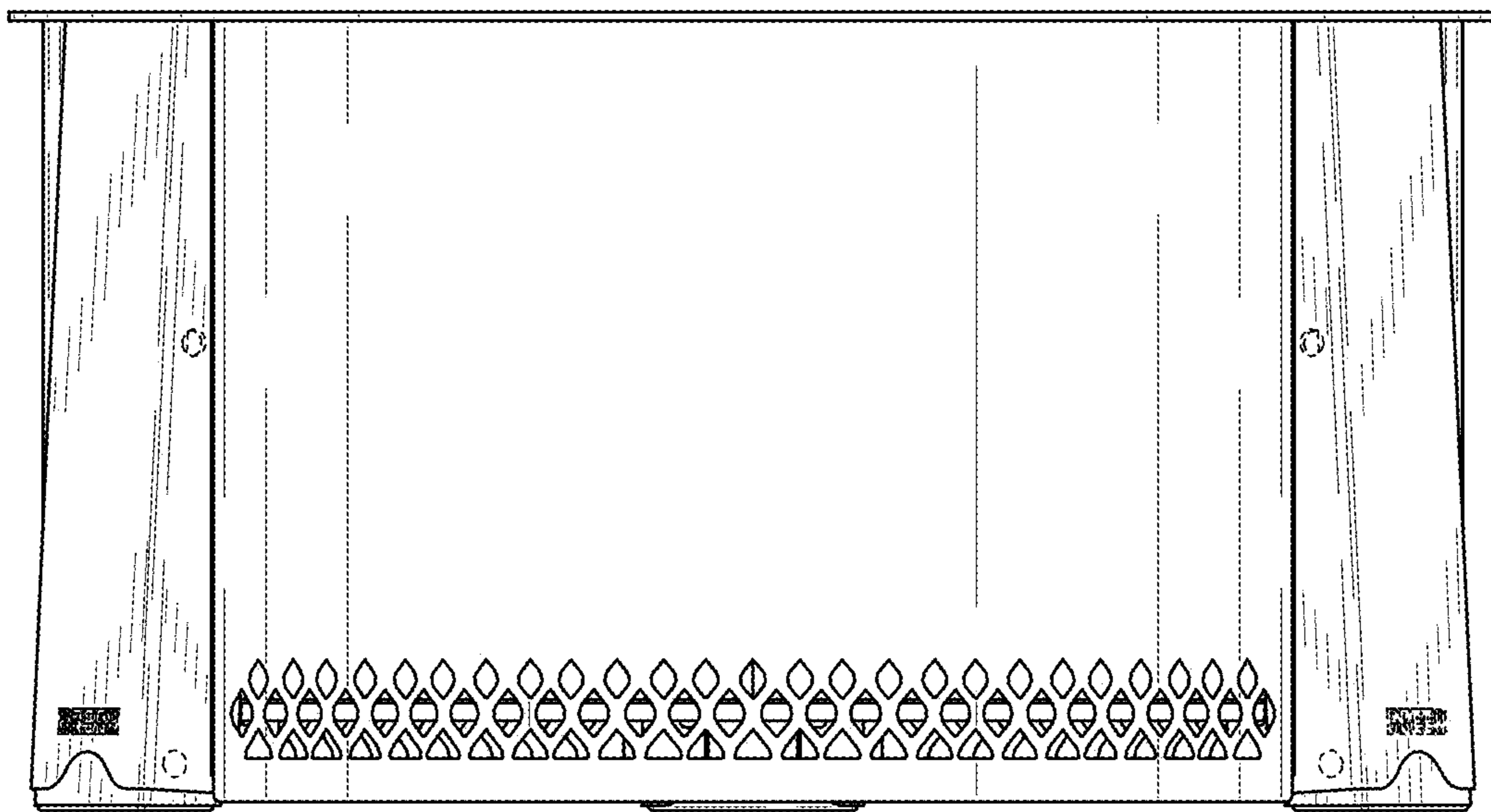


FIG. 11

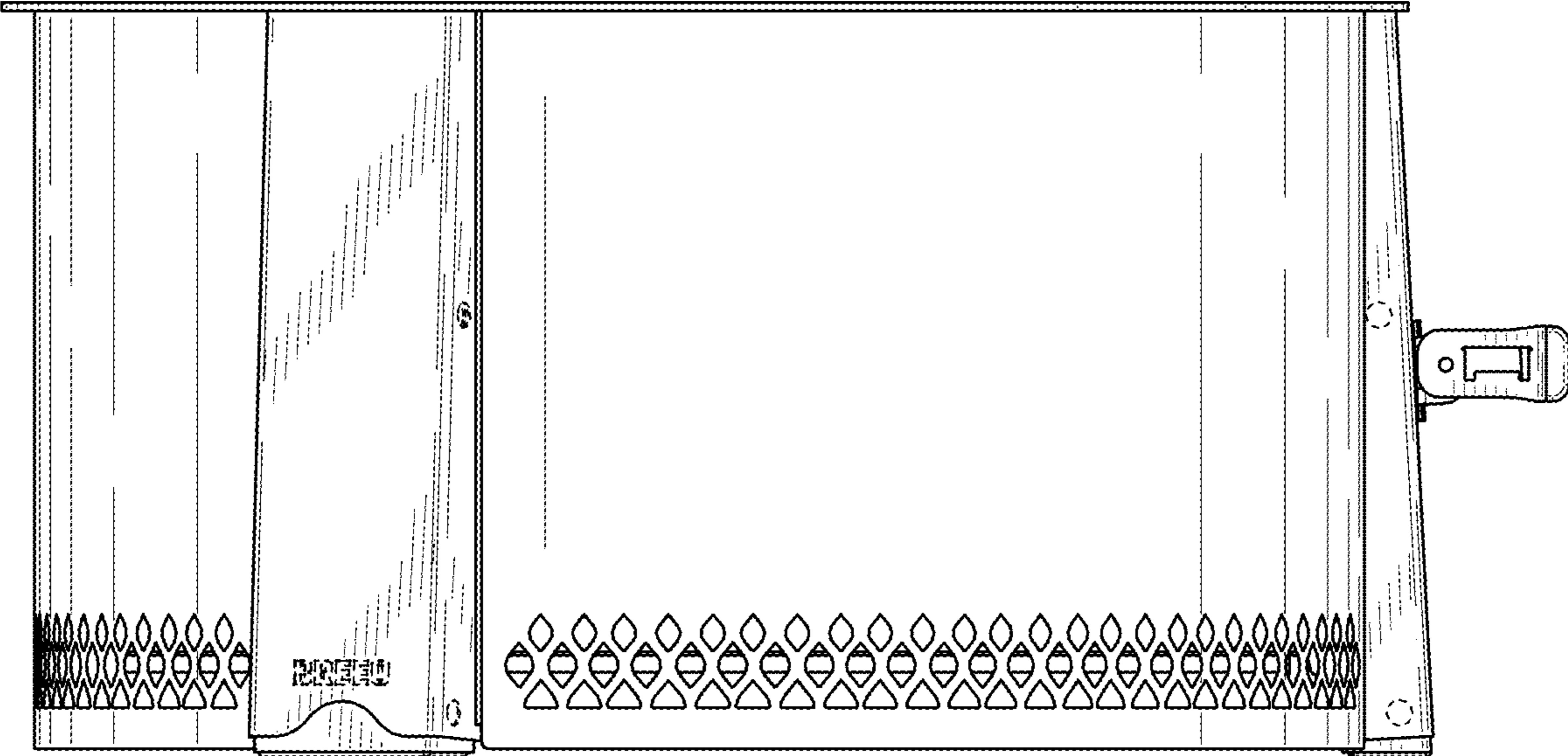


FIG. 12

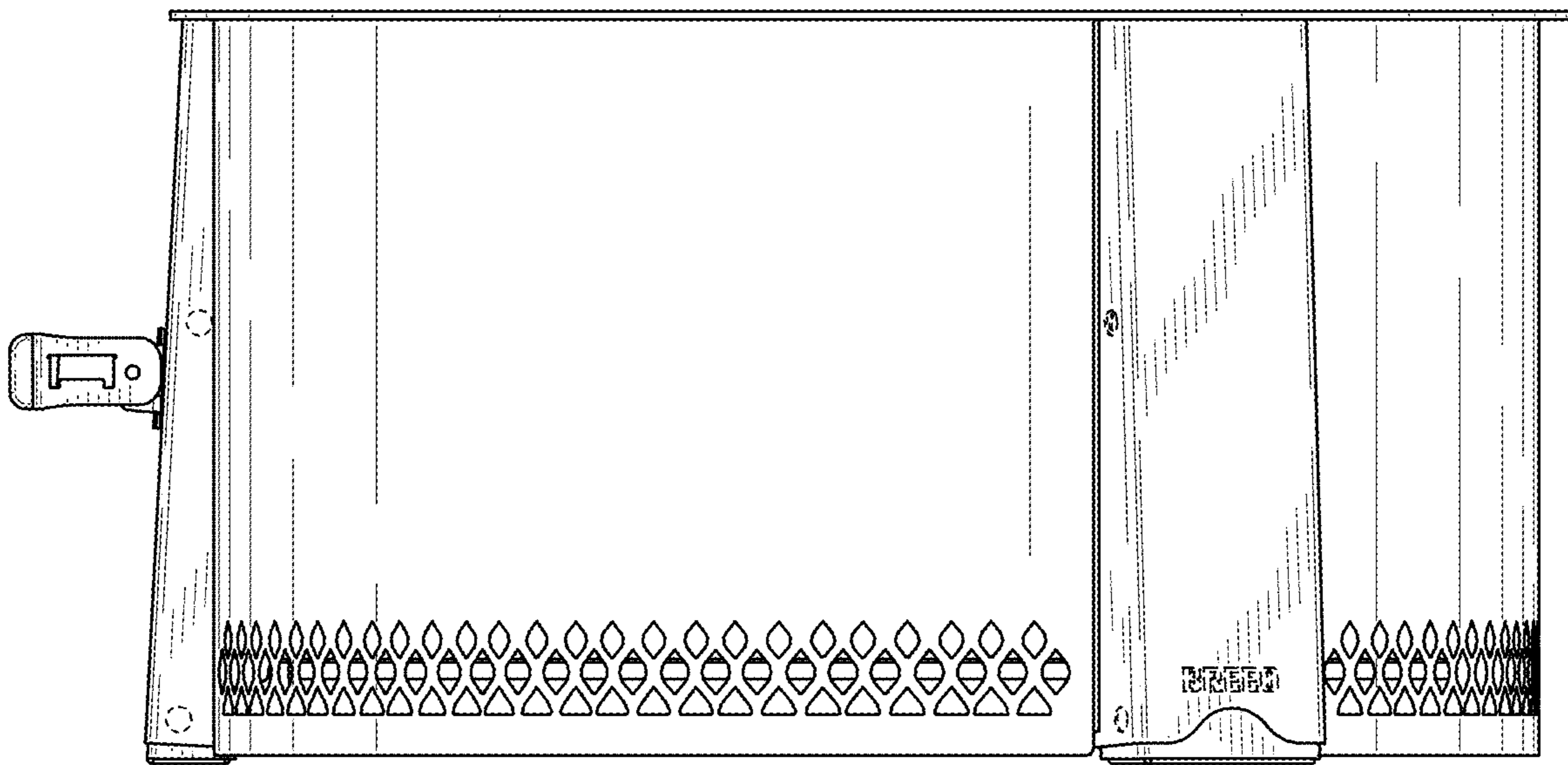


FIG. 13

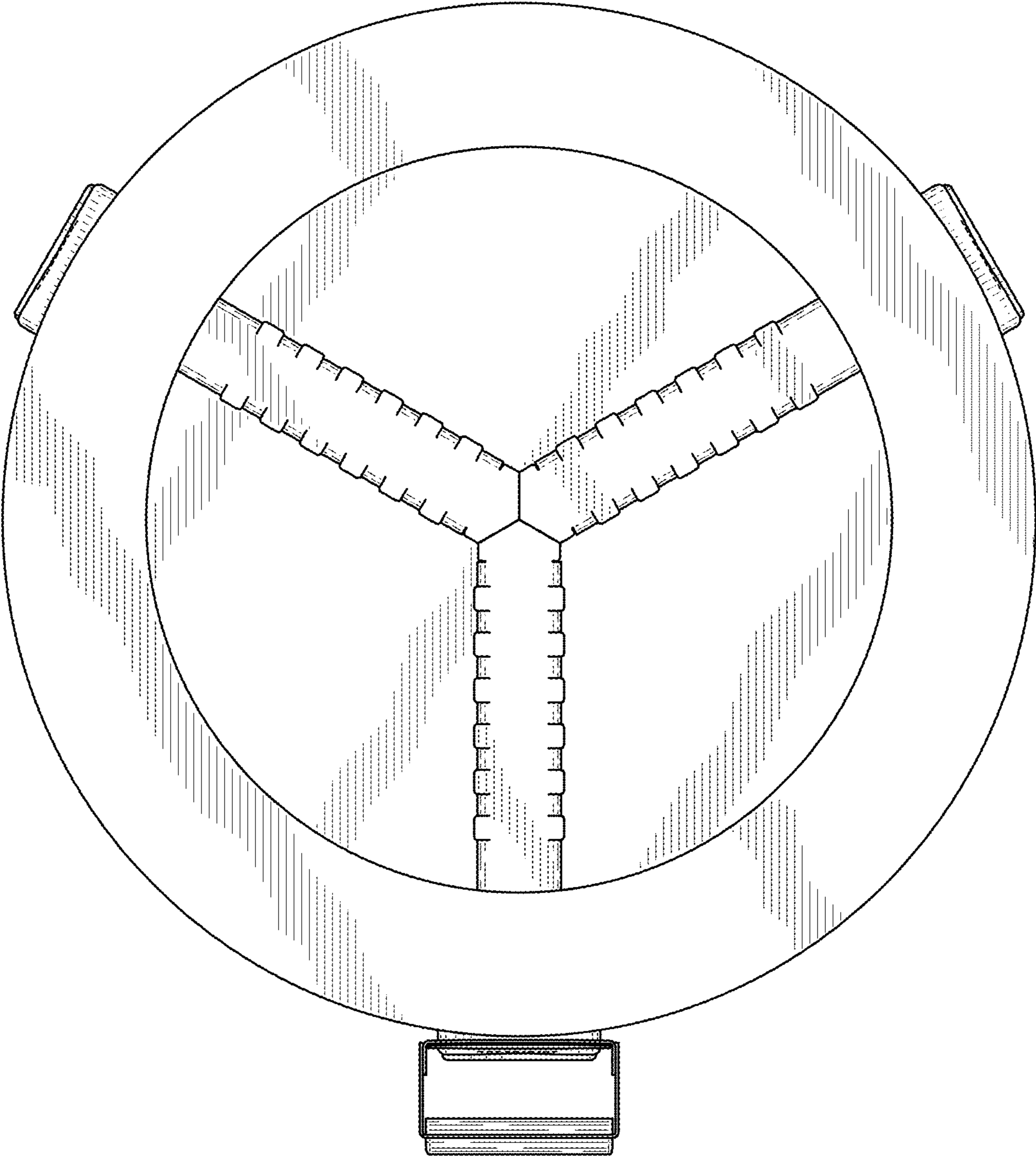


FIG. 14

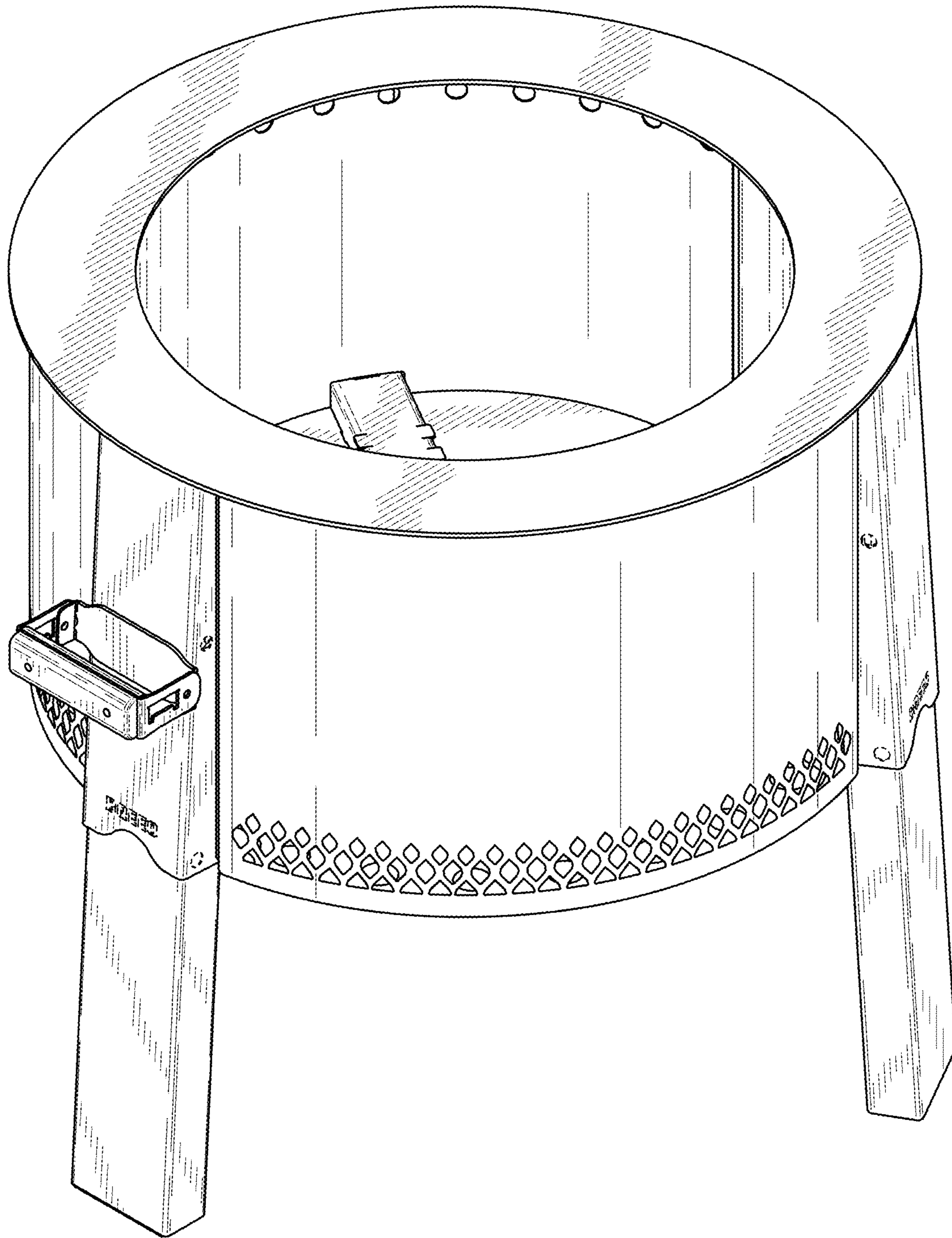


FIG. 15

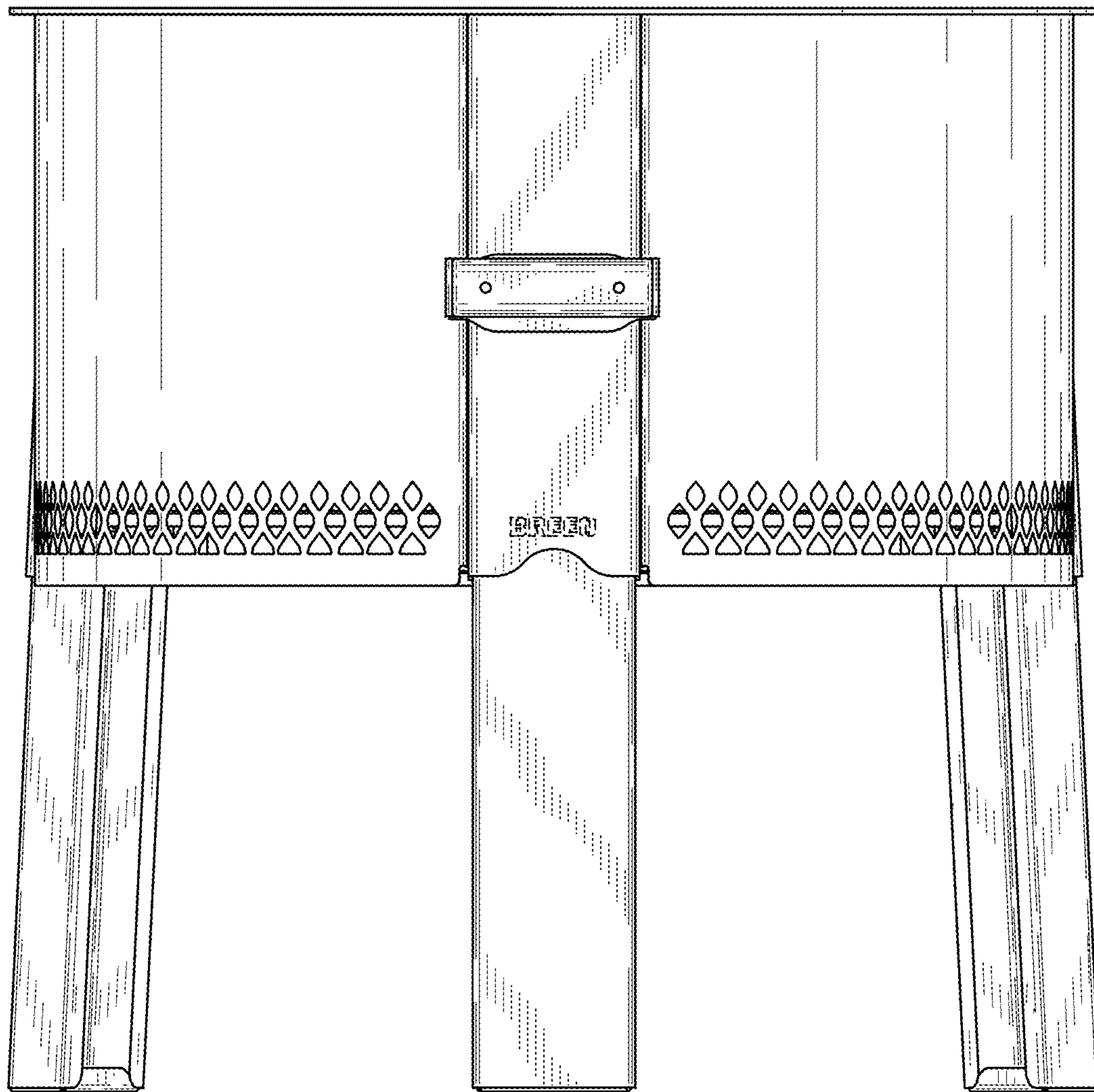


FIG. 16

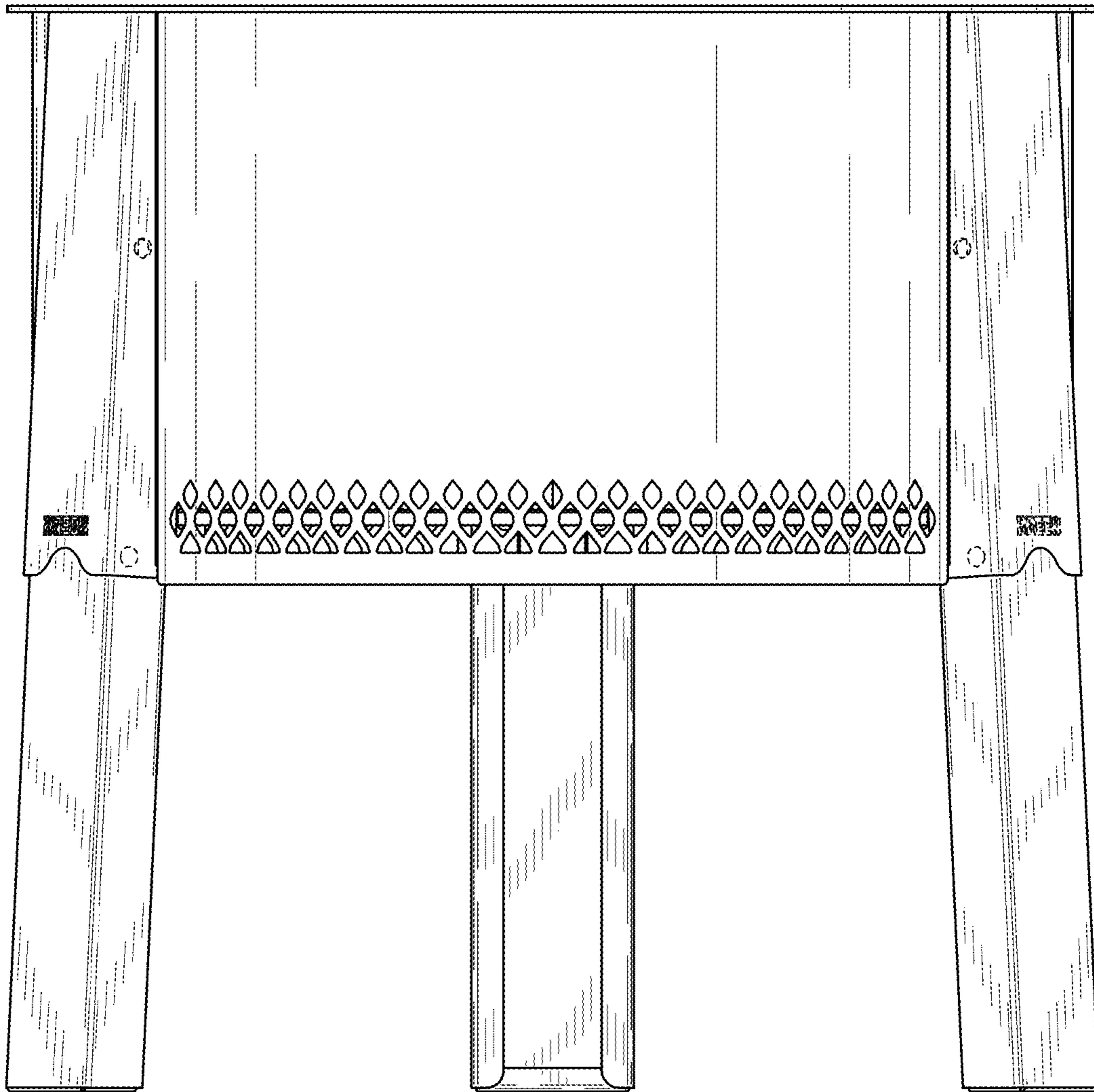


FIG. 17

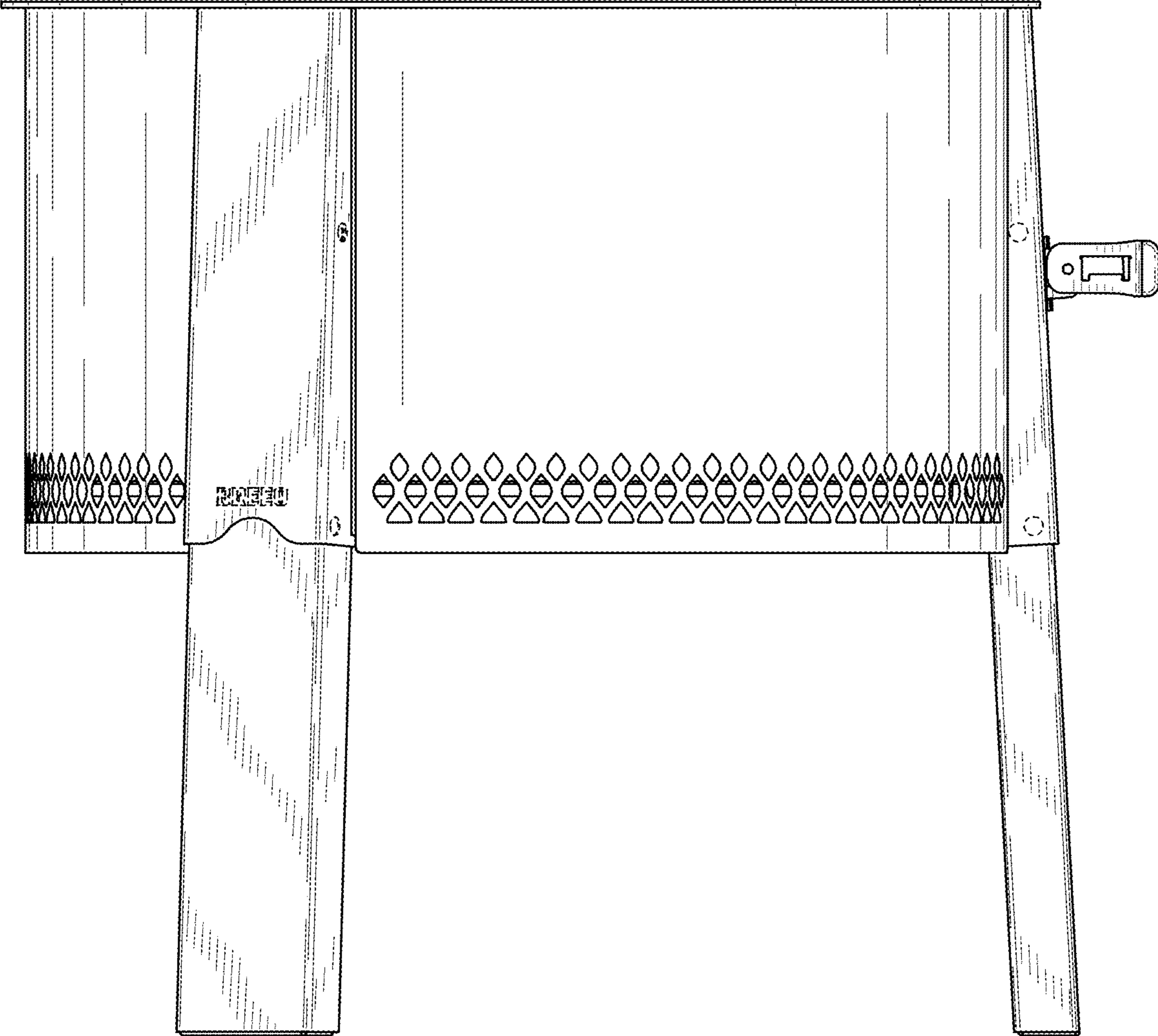


FIG. 18

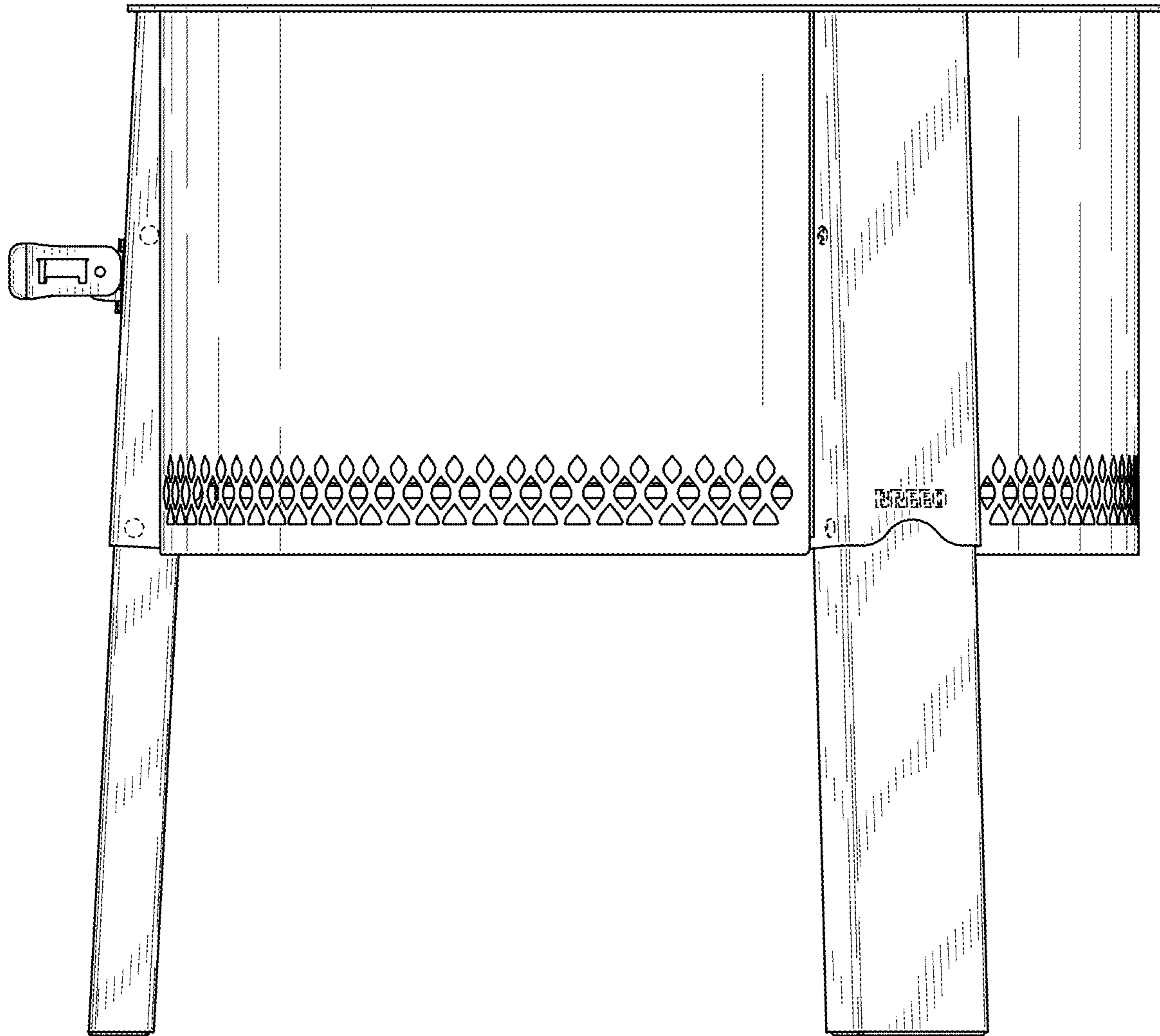


FIG. 19

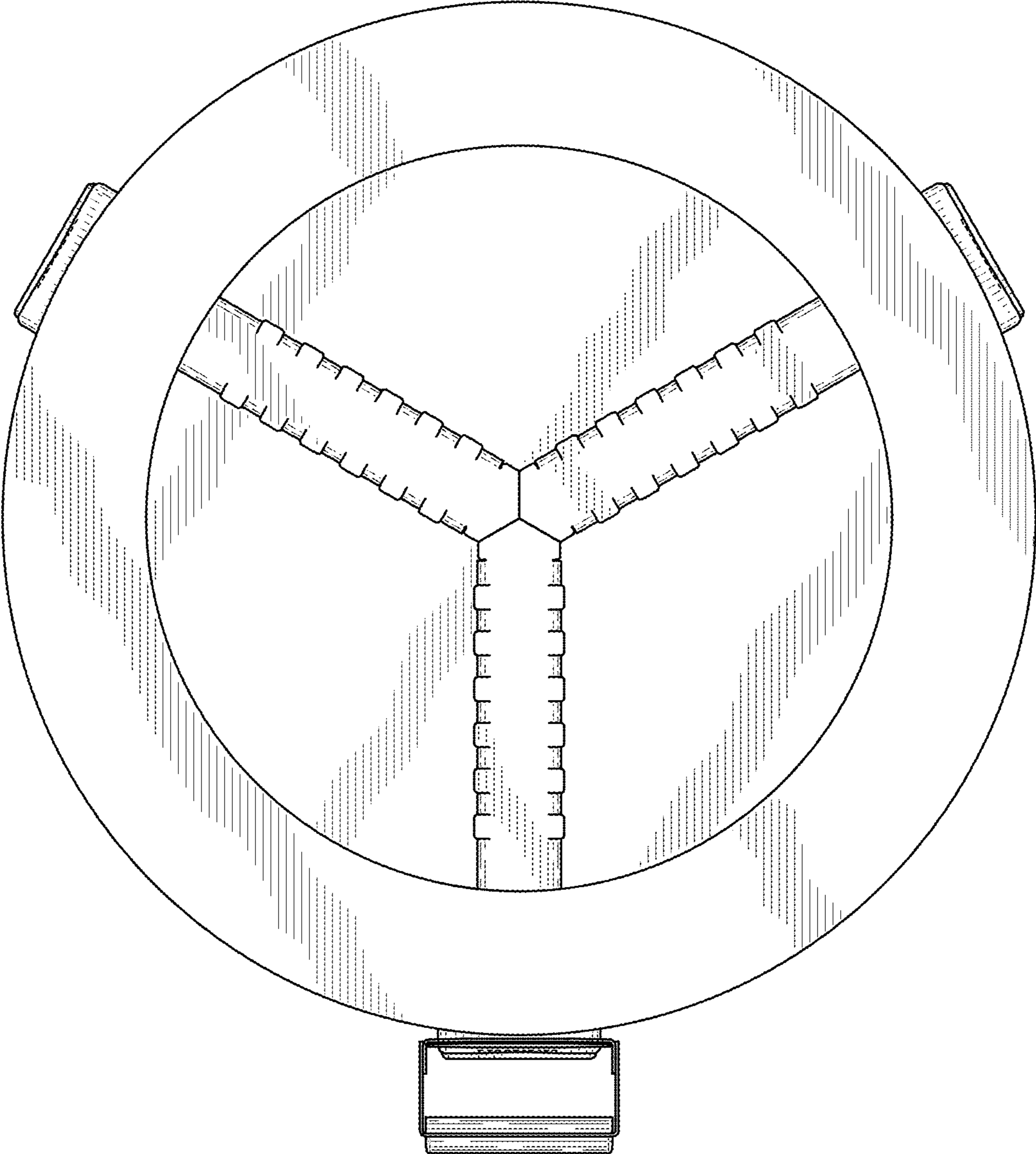


FIG. 20