



US0D1042728S

(12) **United States Design Patent** (10) **Patent No.:** **US D1,042,728 S**
Baltes (45) **Date of Patent:** **** *Sep. 17, 2024**

(54) **INTEGRATED INCLINED CUP AND ROD HOLDER**

D335,031 S * 4/1993 Resnik D3/221
D371,595 S * 7/1996 Pieper D22/147
D388,153 S * 12/1997 Snyder D22/147

(Continued)

(71) Applicant: **MTB Designs, Inc.**, Palm City, FL (US)

(72) Inventor: **Michael Baltes**, Palm City, FL (US)

(*) Notice: This patent is subject to a terminal disclaimer.

(**) Term: **15 Years**

(21) Appl. No.: **29/772,771**

(22) Filed: **Mar. 4, 2021**

(51) **LOC (14) Cl.** **22-05**

(52) **U.S. Cl.**
USPC **D22/147**

(58) **Field of Classification Search**
USPC D7/620, 602, 701, 705, 706, 619.1, 622;
D22/144-147; D12/302
CPC A01K 83/00; A01K 97/10; A01K 83/06;
A01K 97/06; A01K 85/00; A01K 85/02;
A01K 83/04; A01K 91/08; A01K 93/00;
A01K 97/24; Y10S 224/922; Y10S
312/902; A45F 5/02; B63B 22/00; B63B
34/21; F16B 45/00

See application file for complete search history.

(56) **References Cited**

U.S. PATENT DOCUMENTS

4,375,731 A * 3/1983 Budd A01K 97/10
43/21.2
4,527,349 A * 7/1985 Emory, Jr. A01K 97/10
248/513
4,749,162 A 6/1988 Wanzor
4,778,141 A 10/1988 Bogar
4,919,316 A * 4/1990 Grauberger A01K 97/10
224/567
5,163,244 A 11/1992 Rupp

OTHER PUBLICATIONS

Boat Outfitters, posted unknown [online], [retrieved Apr. 28, 2023]. Retrieved from internet, <https://www.amazon.com/Pelican-Boats-PS0649-2-Hardware-Accessory/dp/B07JC8YGLC/refr> (Date:2023) (Year: 2023).*

(Continued)

Primary Examiner — Christian P. McLean
Assistant Examiner — Kristopher Michael Blechschmidt
(74) *Attorney, Agent, or Firm* — Larson & Larson; Justin P. Miller; Frank Liebenow

(57) **CLAIM**

I claim the ornamental design for an integrated inclined cup and rod holder, as shown and described.

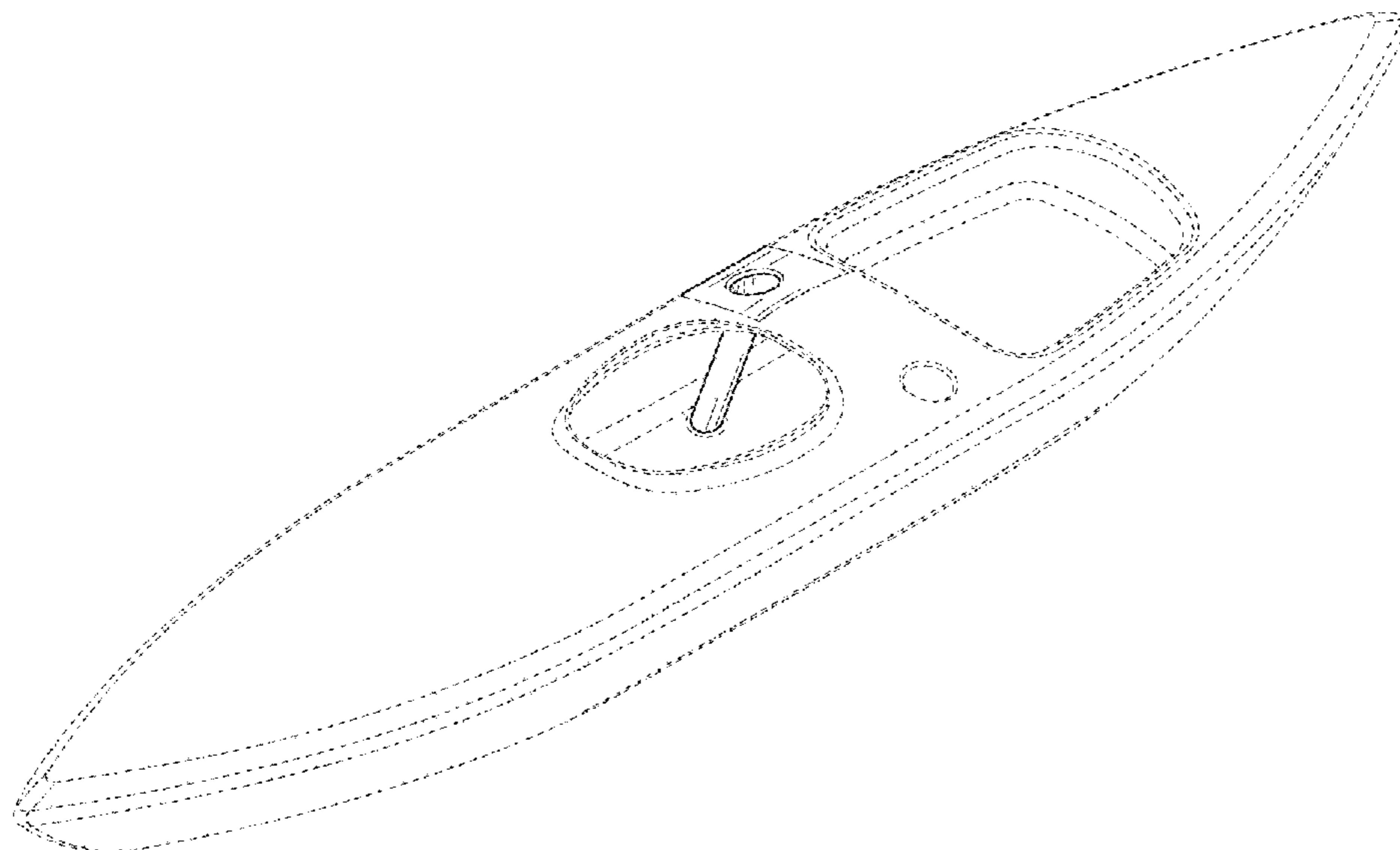
DESCRIPTION

FIG. 1 is a perspective view of an integrated inclined cup and rod holder showing my new design; FIG. 2 is a front elevation view thereof; FIG. 3 is a back elevation thereof; FIG. 4 is a right-side elevation view thereof; FIG. 5 is a left-side elevation view thereof; FIG. 6 is a top plan view thereof; FIG. 7 is a bottom plan view thereof; and FIG. 8 is a side cross-sectional view thereof; FIG. 9 is a perspective view with a fishing pole; and, FIG. 10 is a perspective view with an insulated can, showing the integrated inclined cup and rod holder.

The broken lines showing the kayak, fishing pole, and insulated can are included for the purpose of illustrating environmental structure and form no part of the claimed design.

The dot-dash broken lines form the boundary of the claimed design.

1 Claim, 6 Drawing Sheets



(56)

References Cited

U.S. PATENT DOCUMENTS

5,987,803 A * 11/1999 White A01K 97/10
43/21.2
D499,789 S 12/2004 Bridgewater
6,993,865 B2 * 2/2006 Peters A01K 97/10
248/514
7,004,102 B2 2/2006 Sampson et al.
D591,385 S 4/2009 Baltes
D591,386 S 4/2009 Baltes
D595,807 S 7/2009 Baltes
D595,808 S 7/2009 Baltes
D607,962 S 1/2010 Baltes
D607,963 S 1/2010 Baltes
D649,621 S * 11/2011 Michael D22/147
8,640,377 B2 2/2014 Baltes
D857,155 S 8/2019 Baltes
D861,125 S 9/2019 Baltes
10,709,125 B2 * 7/2020 Sarnowski B63B 17/00
D978,767 S * 2/2023 Baltes D12/317
2005/0173610 A1 * 8/2005 Peters A01K 97/10
248/538

2006/0086877 A1 * 4/2006 Cotton A01K 97/10
248/311.2
2007/0074446 A1 * 4/2007 Wilcox A01K 97/10
248/515
2018/0177174 A1 * 6/2018 McQuade A01K 97/10
2019/0098885 A1 * 4/2019 Sarnowski A01K 97/10
2020/0305403 A1 * 10/2020 Karpanty A01K 97/10
2022/0279770 A1 * 9/2022 Chmura A01K 97/10

OTHER PUBLICATIONS

Pelican, posted Nov. 30, 2023 [online], [retrieved Apr. 28, 2023]. Retrieved from internet, <https://www.boatoutfitters.com/rod-holder-cup-holder> (Date:2023) (Year: 2023).*

Boat Accessories, posted unknown [online], [retrieved Apr. 28, 2023]. Retrieved from internet, <https://www.aliexpress.us/item/3256804588362082.html?gatewayAdapt=glo2usa4itemAdapt> (Date:2023) (Year: 2023).*

Kayak Rod Holder Mount, posted Apr. 28, 2015 [online], [retrieved Apr. 28, 2023]. Retrieved from internet, <https://www.pinterest.com/pin/623256035904005480/> (Date:2023) (Year: 2015).*

* cited by examiner

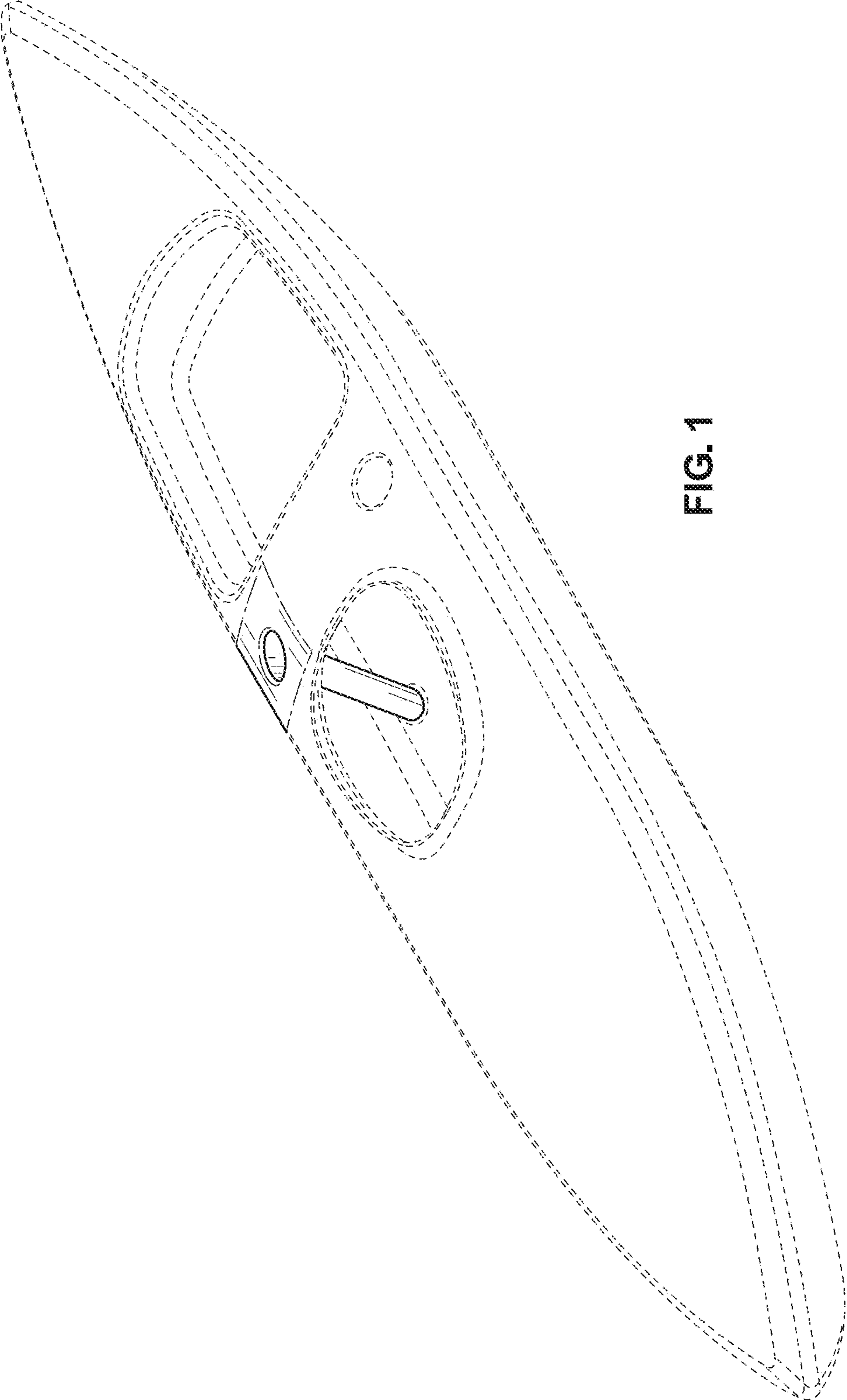


FIG. 1

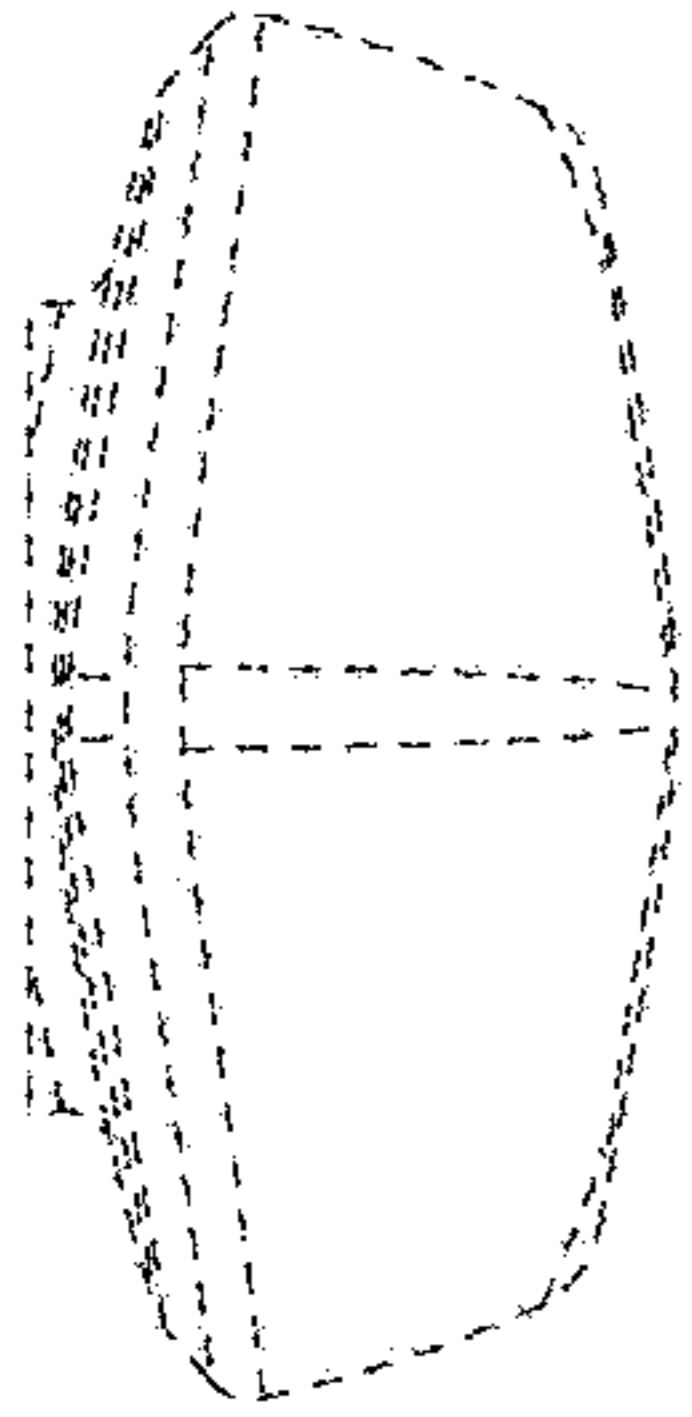


FIG. 2

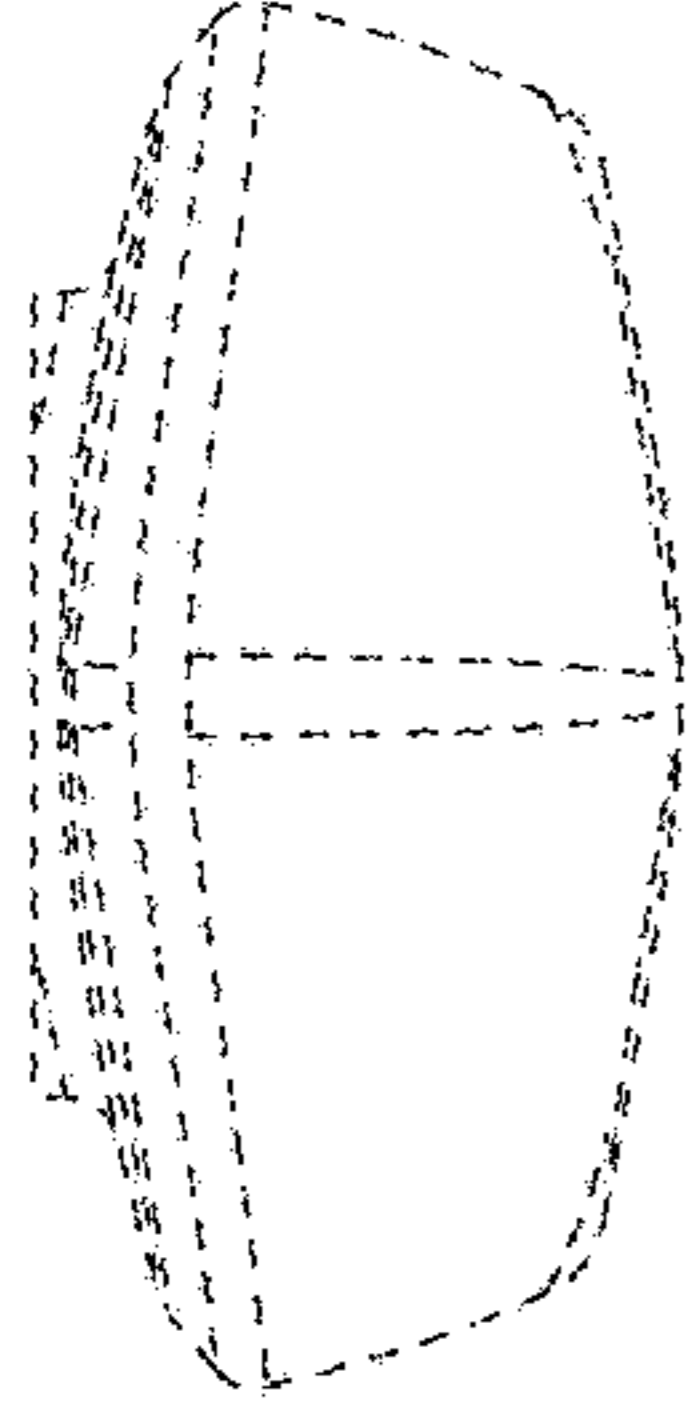


FIG. 3

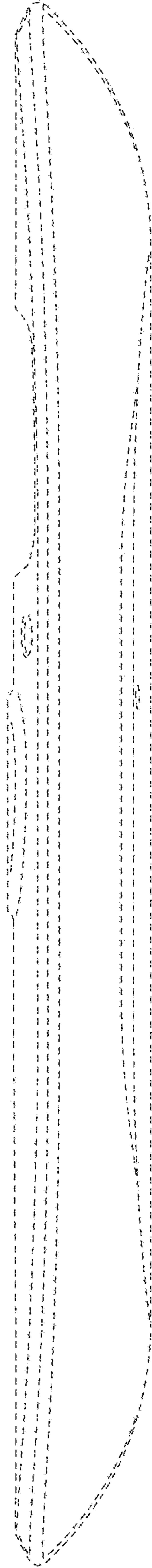


FIG. 4

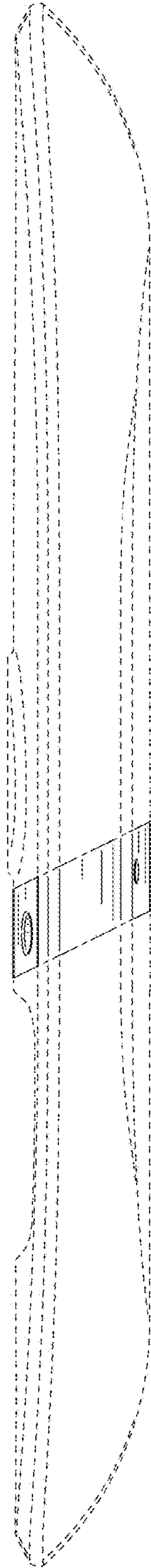


FIG. 5

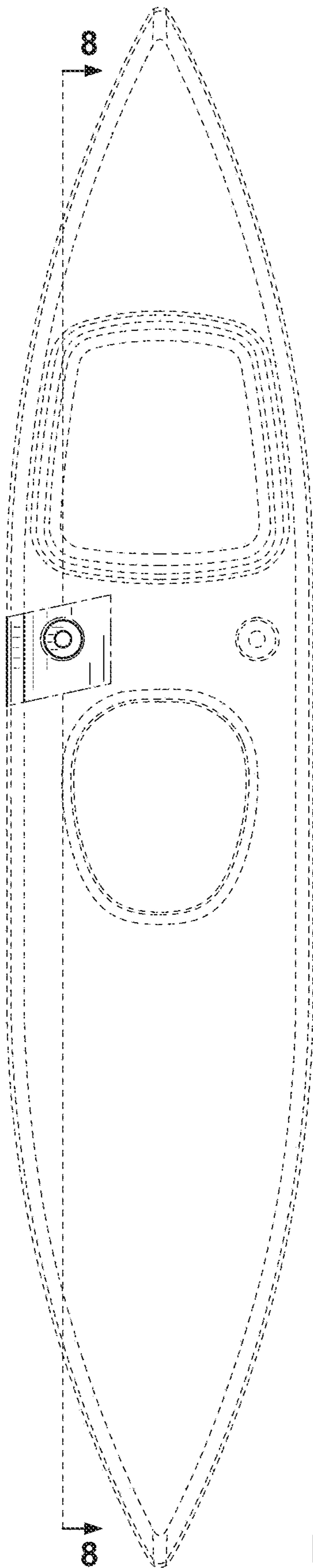


FIG. 6

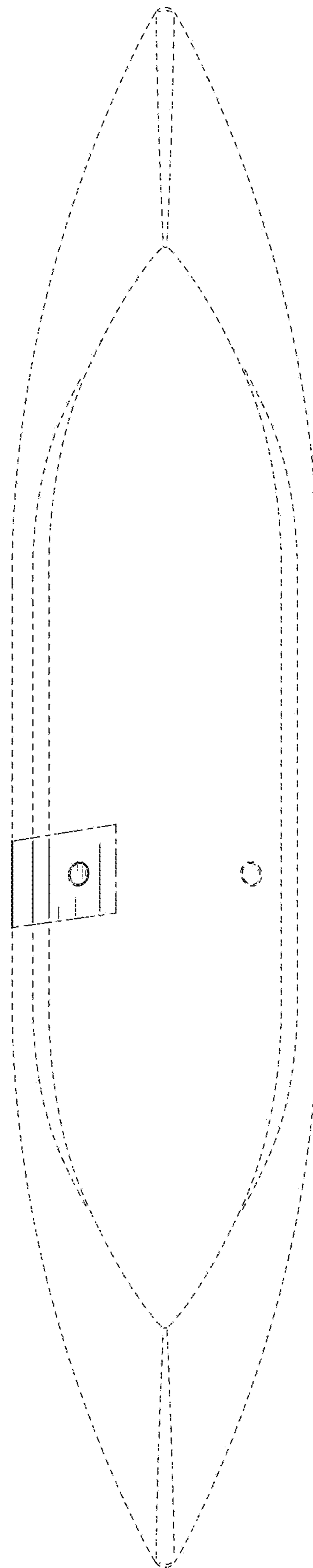


FIG. 7

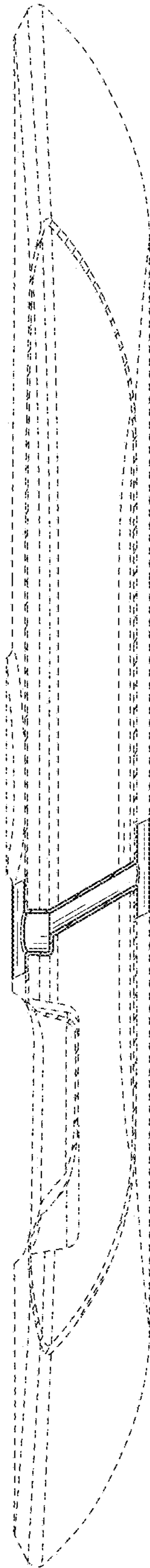


FIG. 8

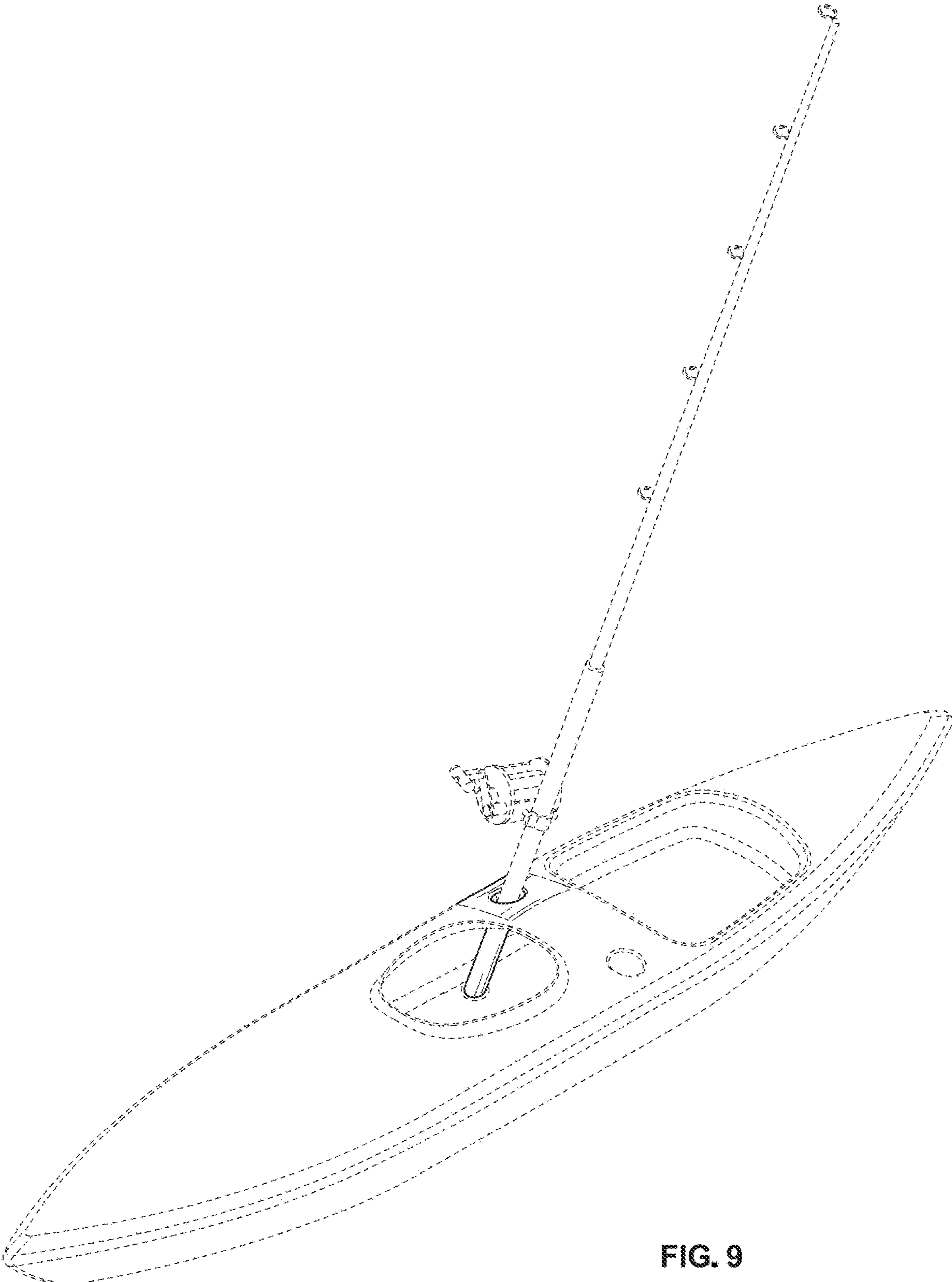


FIG. 9

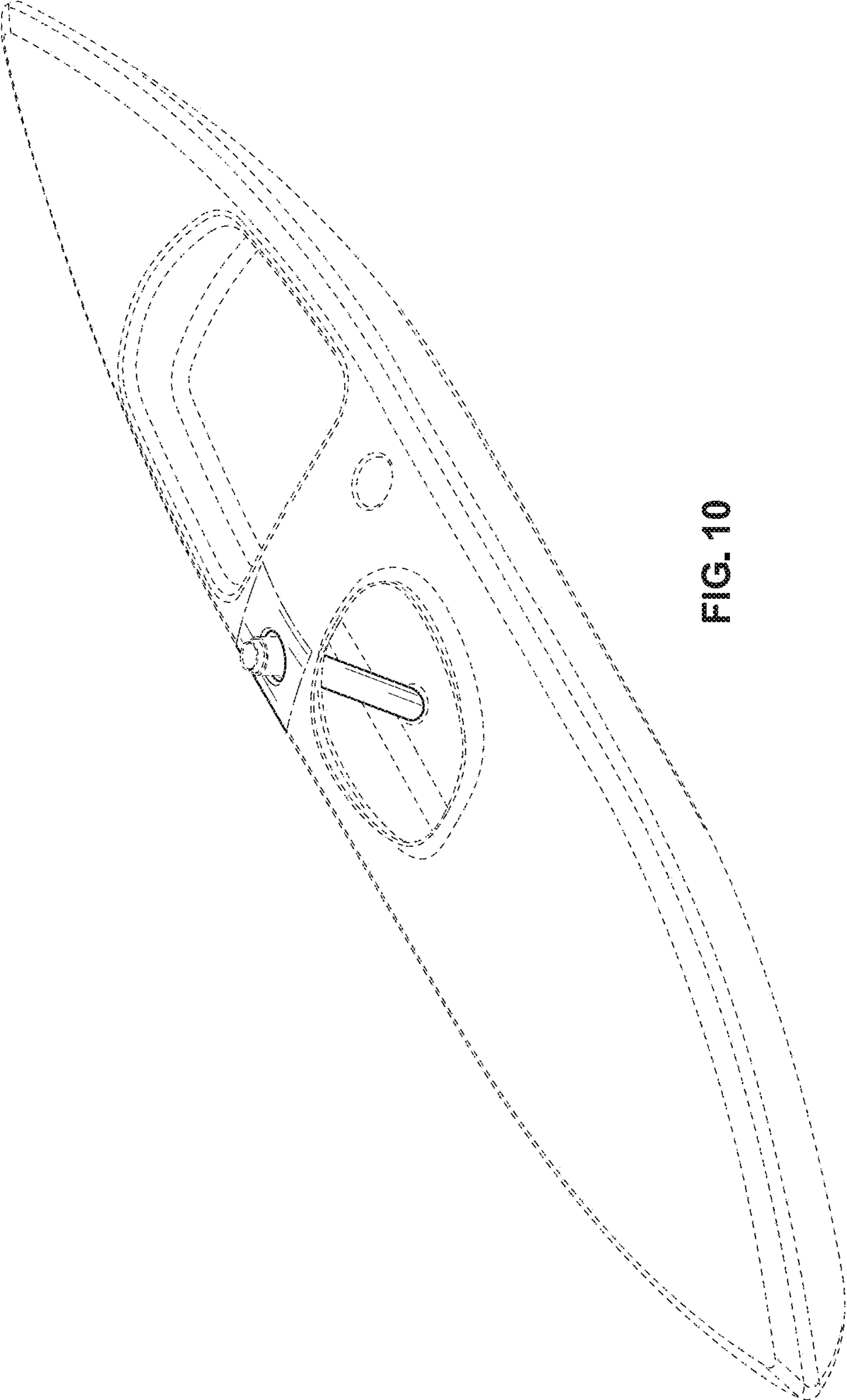


FIG. 10