



US0D1042702S

(12) **United States Design Patent** (10) **Patent No.: US D1,042,702 S**
Jiang (45) **Date of Patent: ** Sep. 17, 2024**

(54) **PUNCHING BAG**

(71) Applicant: **Kun Jiang**, Jiangxi (CN)

(72) Inventor: **Kun Jiang**, Jiangxi (CN)

(**) Term: **15 Years**

(21) Appl. No.: **29/933,400**

(22) Filed: **Mar. 19, 2024**

(51) **LOC (14) Cl.** **21-02**

(52) **U.S. Cl.**
USPC **D21/787**

(58) **Field of Classification Search**
USPC D21/439, 440, 662, 680, 688, 698, 722,
D21/787, 798
CPC A63B 69/20; A63B 69/203; A63B 69/205;
A63B 69/206; A63B 69/24; A63B 69/26;
A63B 69/32; A63B 69/34; A63B
2244/102; A63B 2244/106; A63B
2244/10; A63B 2244/104; A63B 69/224;
A63B 69/22; A63B 2220/53; A63B
2071/026

See application file for complete search history.

(56) **References Cited**

U.S. PATENT DOCUMENTS

- 1,665,969 A * 4/1928 McNamara A63B 69/224
482/90
- 5,624,358 A * 4/1997 Hestilow A63B 69/224
482/90
- D409,670 S * 5/1999 Kuo A63B 69/224
D21/662
- 6,027,435 A * 2/2000 Nadorf A63B 69/224
482/146
- 6,390,958 B1 * 5/2002 Chu A63B 69/22
482/90
- 6,464,621 B1 * 10/2002 Chen A63B 69/224
482/90
- 6,790,167 B1 * 9/2004 Carlin A63B 69/224
482/90

- RE39,372 E * 11/2006 Kuo A63B 69/224
D21/798
- 7,357,760 B1 * 4/2008 Rios A63B 69/22
482/90
- 7,704,194 B1 * 4/2010 Chen A63B 69/224
482/90

(Continued)

FOREIGN PATENT DOCUMENTS

- EM 015052101-0003 * 3/2024
- GB 6349994 * 3/2024

OTHER PUBLICATIONS

“Gikpal Freestanding Punching Bag” available Aug. 7, 2020, [online], [site visited May 1, 2024]. Retrieved from Internet, URL:https://www.amazon.com/GIKPAL-Freestanding-Punching-182lbs-Kickboxing/dp/B08BJHTW1K/ref=sr_1_1_sspa?crd=14VPHA4CBCR33&dib=eyJ2ljojMSJ9.i24qQUsF0Wbx76NCUtovkENQ42FHJ0bsnAbmoN7DPH6gKff (Year: 2020).*

(Continued)

Primary Examiner — Mitchell I. Siegel
Assistant Examiner — Rochel L Rimelspach-Zare
(74) *Attorney, Agent, or Firm* — Ying-Ting Chen; Law Office of Michael Chen

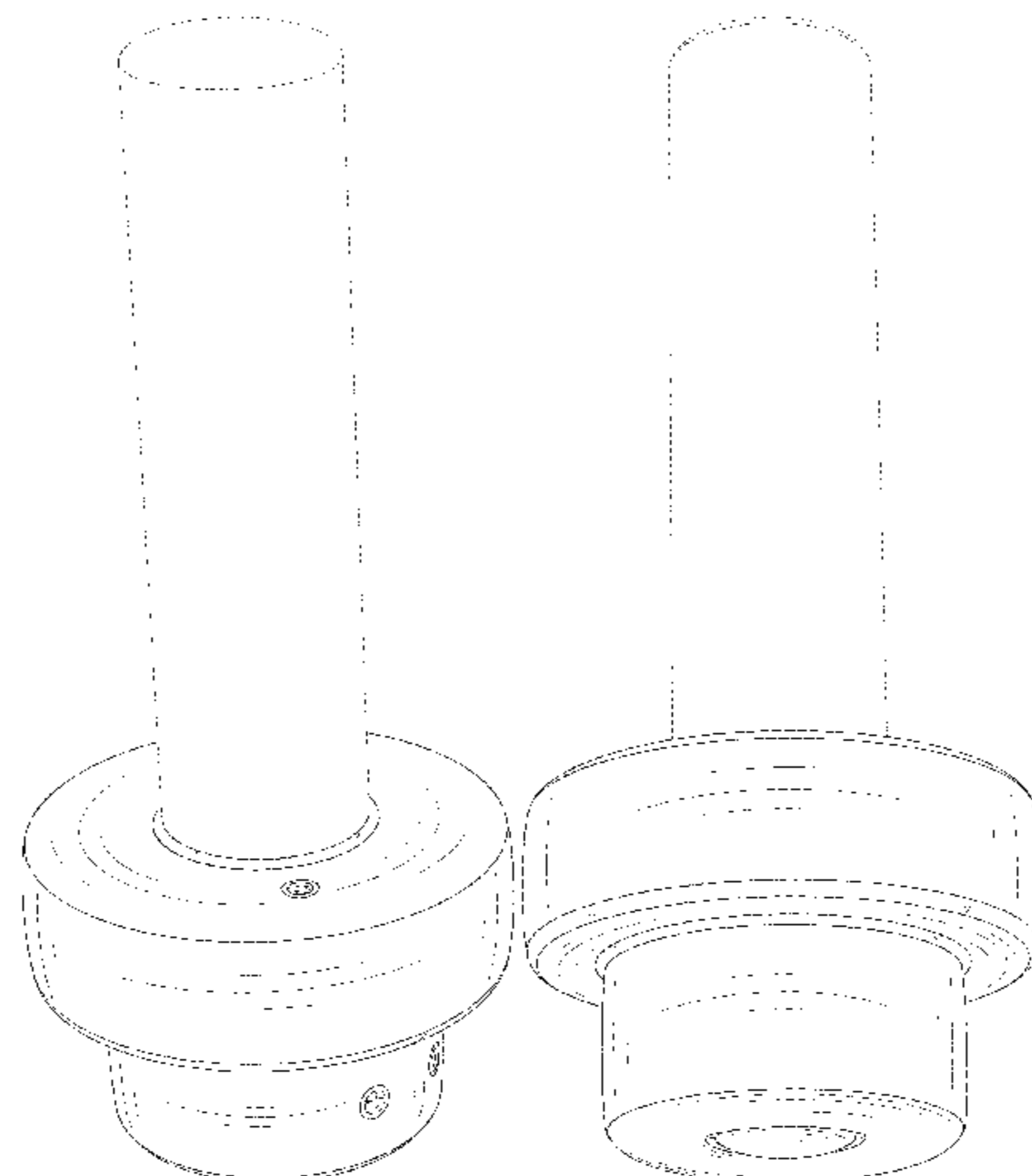
(57) **CLAIM**

The ornamental design for a punching bag, as shown and described.

DESCRIPTION

FIG. 1 is a perspective view of the punching bag showing my new design;
FIG. 2 is another perspective view thereof;
FIG. 3 is a front elevational view thereof;
FIG. 4 is a rear elevational view thereof;
FIG. 5 is a left side elevational view thereof;
FIG. 6 is a right side elevational view thereof;
FIG. 7 is a top plan view thereof; and,
FIG. 8 is a bottom plan view thereof.

(Continued)



The broken lines in the figures illustrate portions that form no part of the claimed design.

1 Claim, 8 Drawing Sheets

2018/0001176 A1* 1/2018 Siklosi F16B 1/00
 2023/0226423 A1* 7/2023 Leavitt A63B 69/222
 482/87
 2023/0356053 A1* 11/2023 Sobotka A63B 69/305
 2023/0364482 A1* 11/2023 Hoang A63B 69/224
 2024/0123313 A1* 4/2024 Wu A63B 69/22

(56)

References Cited

U.S. PATENT DOCUMENTS

D706,886 S * 6/2014 Hafeken, Sr. A63B 69/22
 D21/787
 D709,976 S * 7/2014 Clauder D21/787
 D757,196 S * 5/2016 Shepherd D21/699
 9,399,161 B2* 7/2016 Chen A63B 69/22
 10,207,169 B2* 2/2019 Siklosi F16B 2/08
 D912,753 S * 3/2021 Zheng D21/787
 D919,022 S * 5/2021 Yang D21/673
 D926,903 S * 8/2021 Zheng D21/787
 D1,005,429 S * 11/2023 Zhu D21/787
 D1,006,935 S * 12/2023 Zhu D21/787
 2011/0251024 A1* 10/2011 Hu A63B 69/224
 482/90
 2013/0331235 A1* 12/2013 Fields A63B 69/22
 482/83
 2014/0066268 A1* 3/2014 Hafeken, Sr. A63B 69/22
 482/85
 2016/0166909 A1* 6/2016 Heaney G06F 11/3438
 482/83
 2017/0036087 A1* 2/2017 Codrington B32B 9/025

OTHER PUBLICATIONS

“Heavy Punching Bag with Stand” available Feb. 19, 2024, [online], [site visited May 1, 2024]. Retrieved from Internet, URL:https://www.amazon.com/dp/B0CS6D2YWL/ref=sspa_dk_detail_3?psc=1&pd_rd_i=B0CS6D2YWL&pd_rd_w=woDUJ&content-id=amzn1.sym.eb7c1ac5-7c51-4df5-ba34-ca810f1f119a&pf_rd_p=eb7c1ac5-7c51-4df5-ba3 (Year: 2024).*

“Century Torrent Training Bag” available Jun. 22, 2017, [online], [site visited May 1, 2024]. Retrieved from Internet, URL:https://www.amazon.com/dp/B086H6BHM7/ref=sspa_dk_detail_7?pd_rd_i=B086H6BHM7&pd_rd_w=M8A75&content-id=amzn1.sym.eb7c1ac5-7c51-4df5-ba34-ca810f1f119a&pf_rd_p=eb7c1ac5-7c51-4df5-ba34-ca810 (Year: 2017).*

“Yorwhin Upgrade Free Standing Punching Bag” available Oct. 6, 2023, [online], [site visited May 1, 2024]. Retrieved from Internet, URL:https://www.amazon.com/YORWHIN-Automatic-Inflation-Kickboxing-Taekwondo/dp/B0CKL3HSHK/ref=asc_df_B0CKL3HSHK/?tag=hyprod-20&linkCode=df0&hvadid=693032873496&hvpos=&hvnetw=g (Year: 2023).*

* cited by examiner

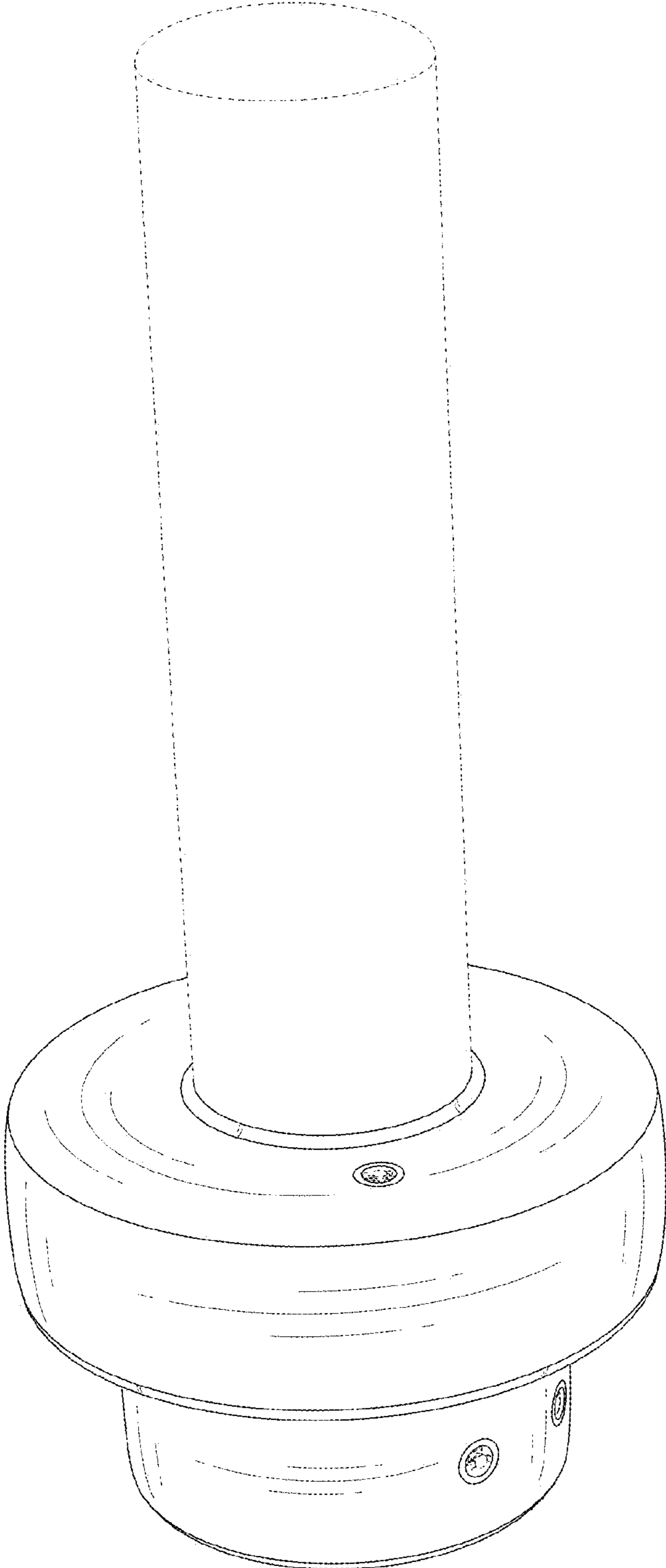


FIG.1

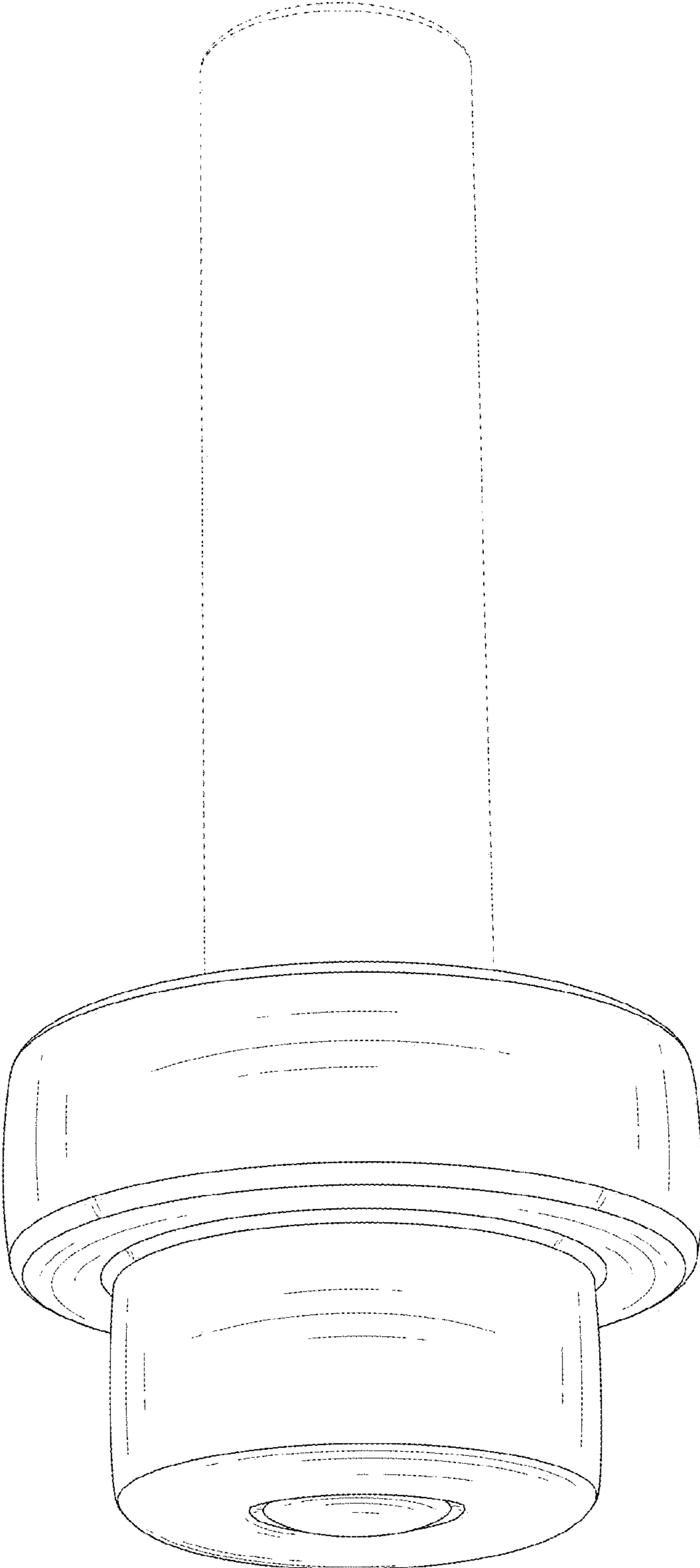


FIG.2

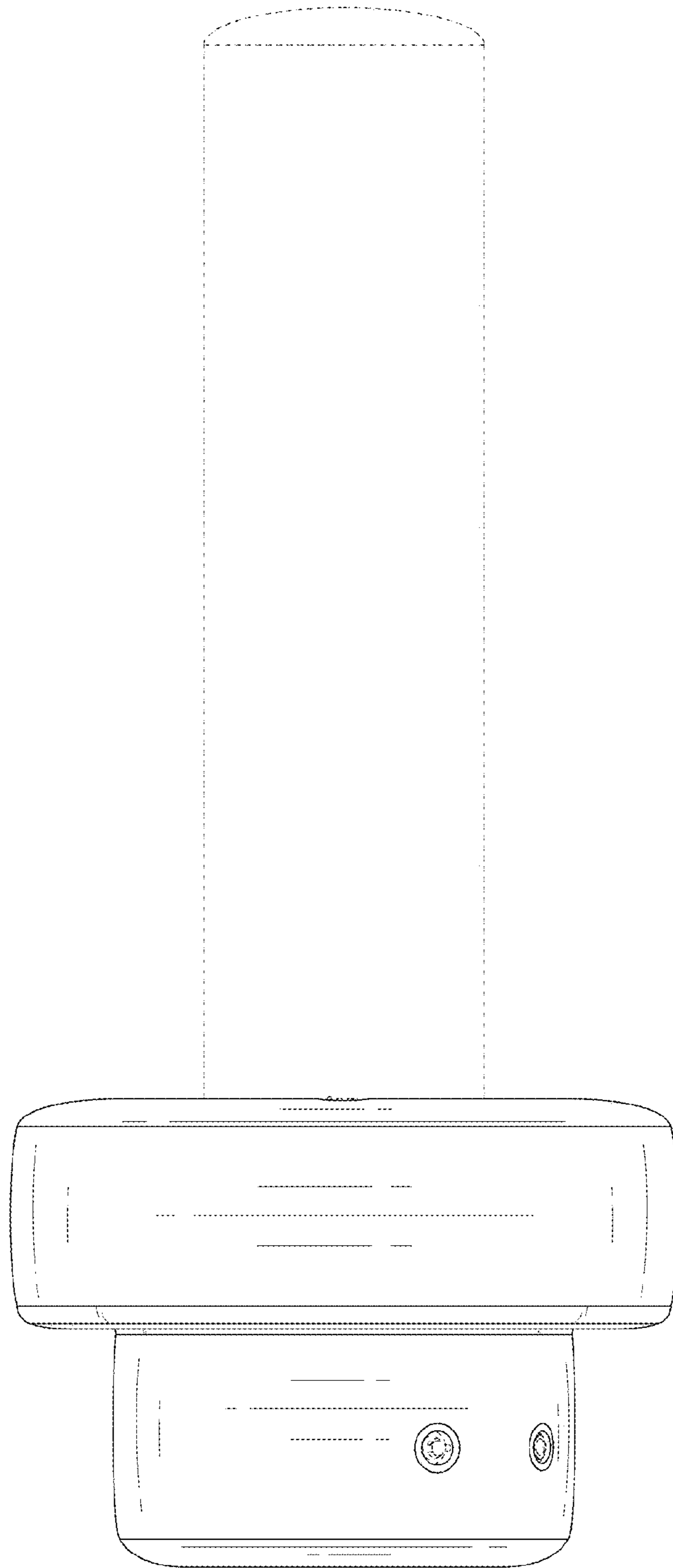


FIG.3

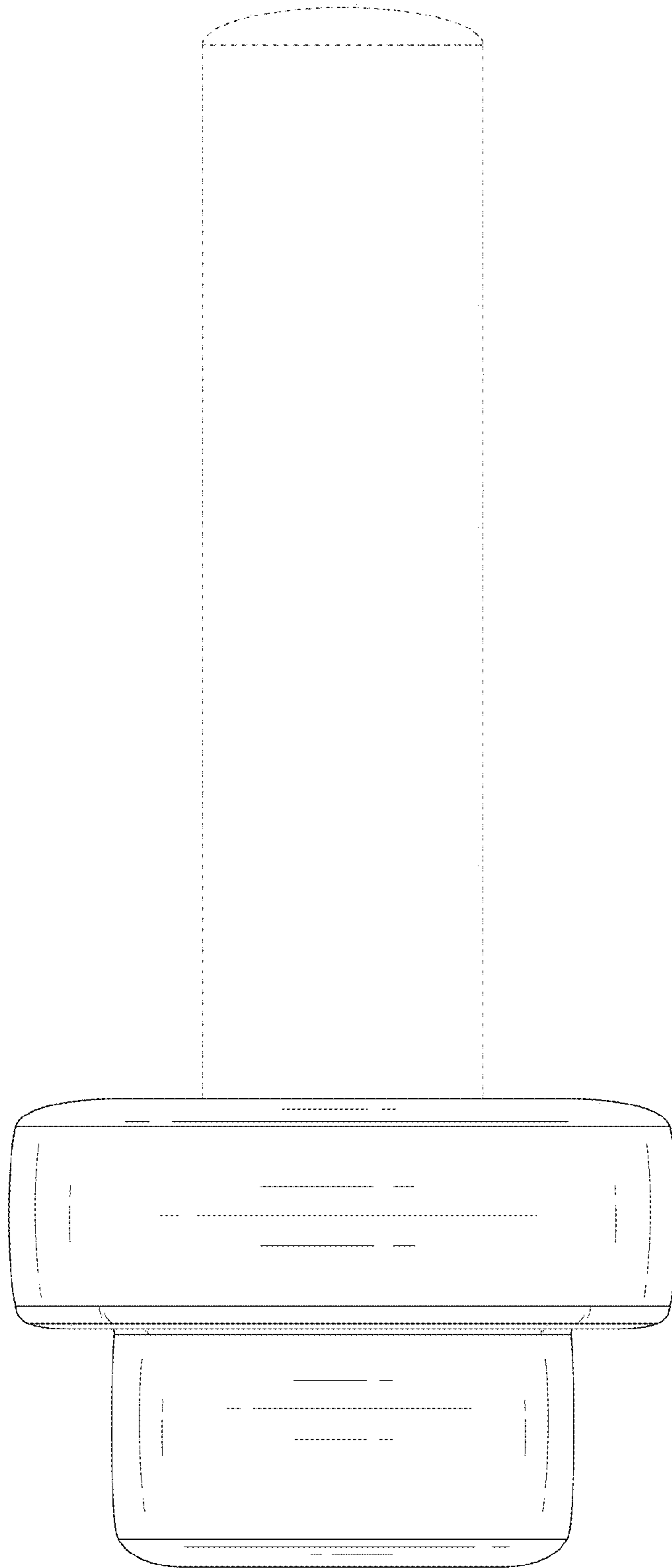


FIG.4

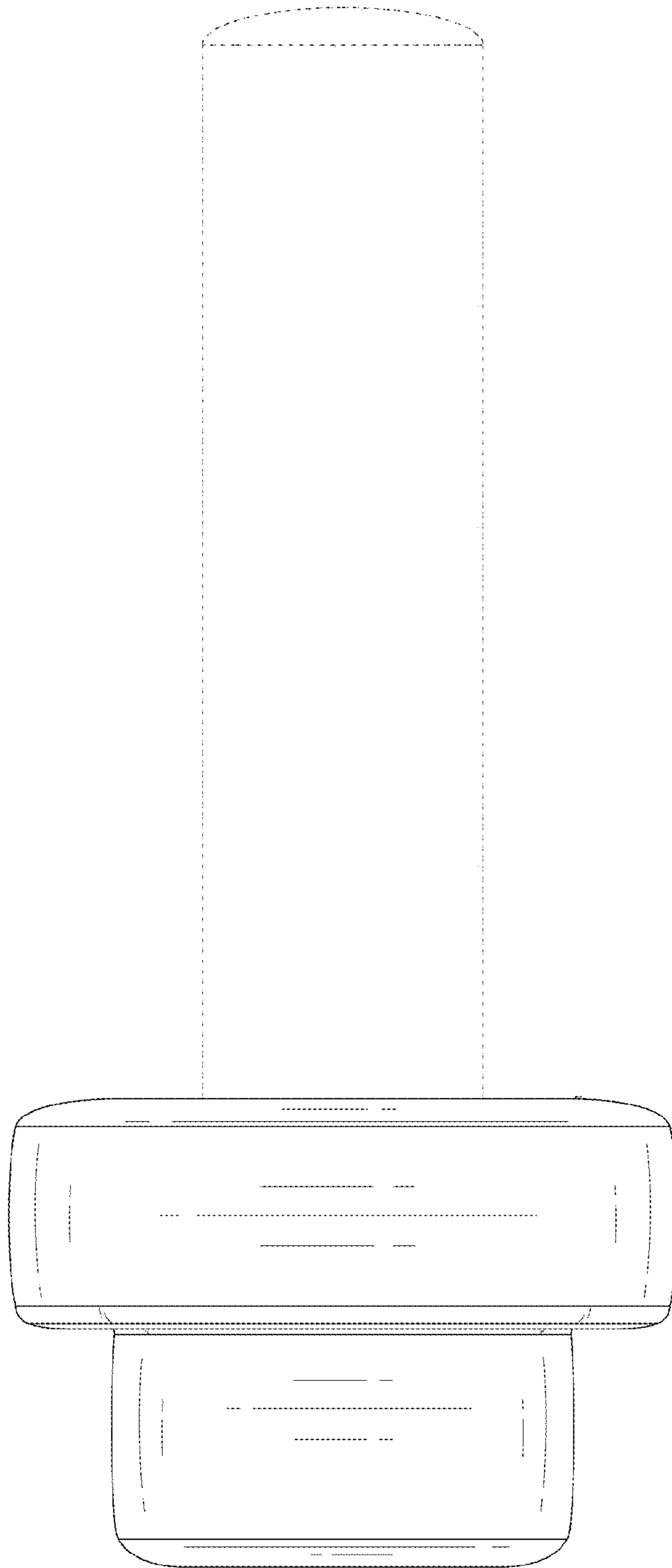


FIG.5

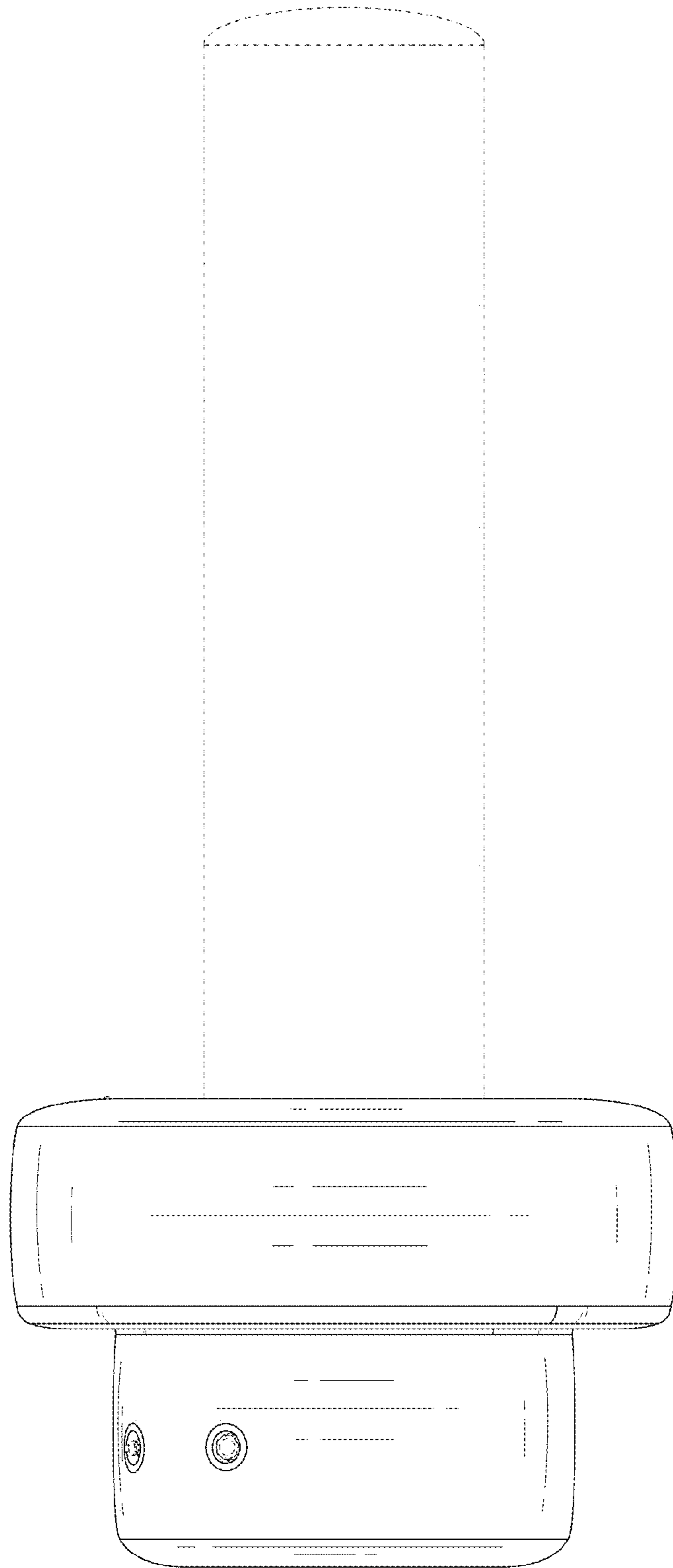


FIG.6

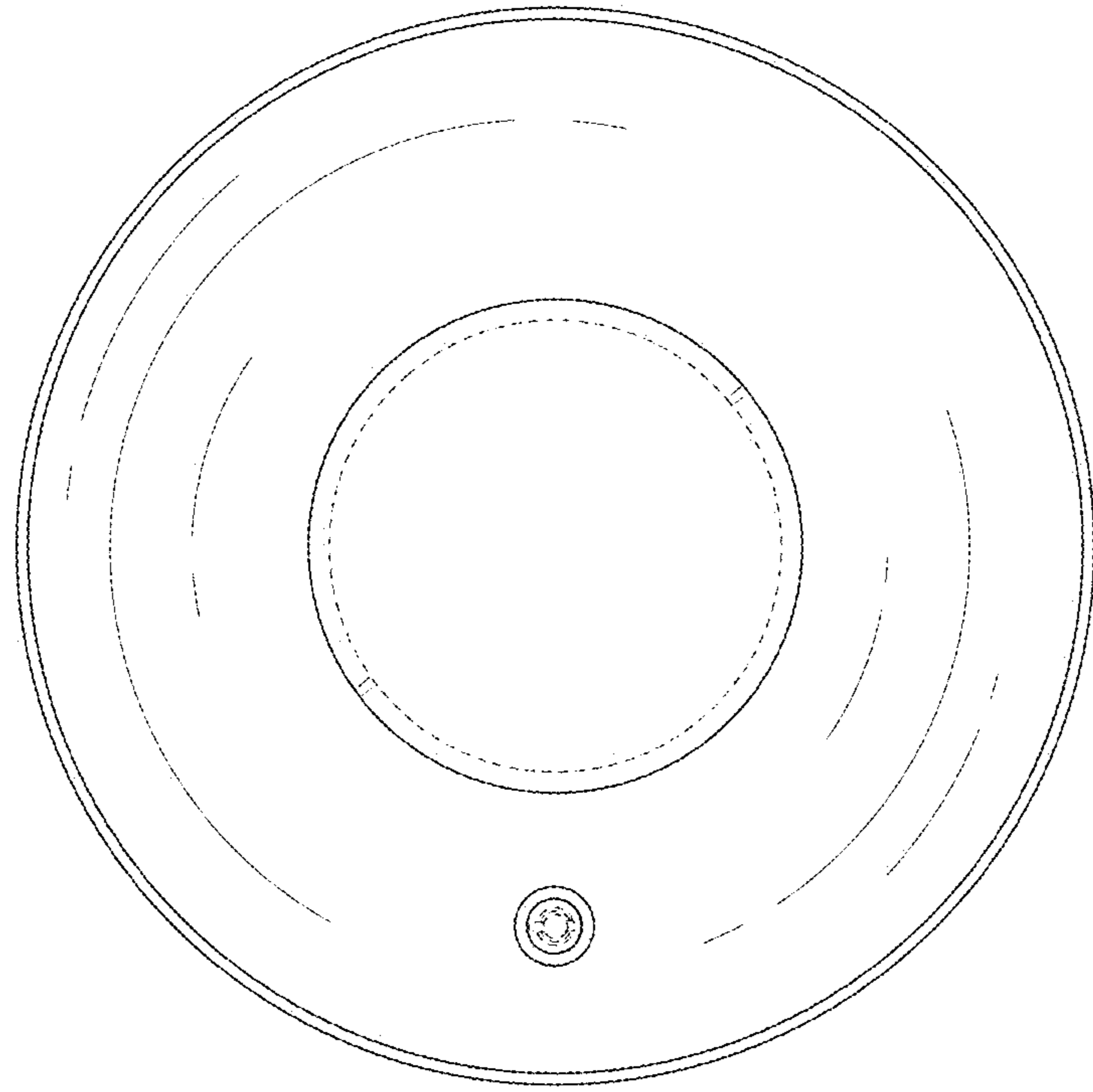


FIG.7

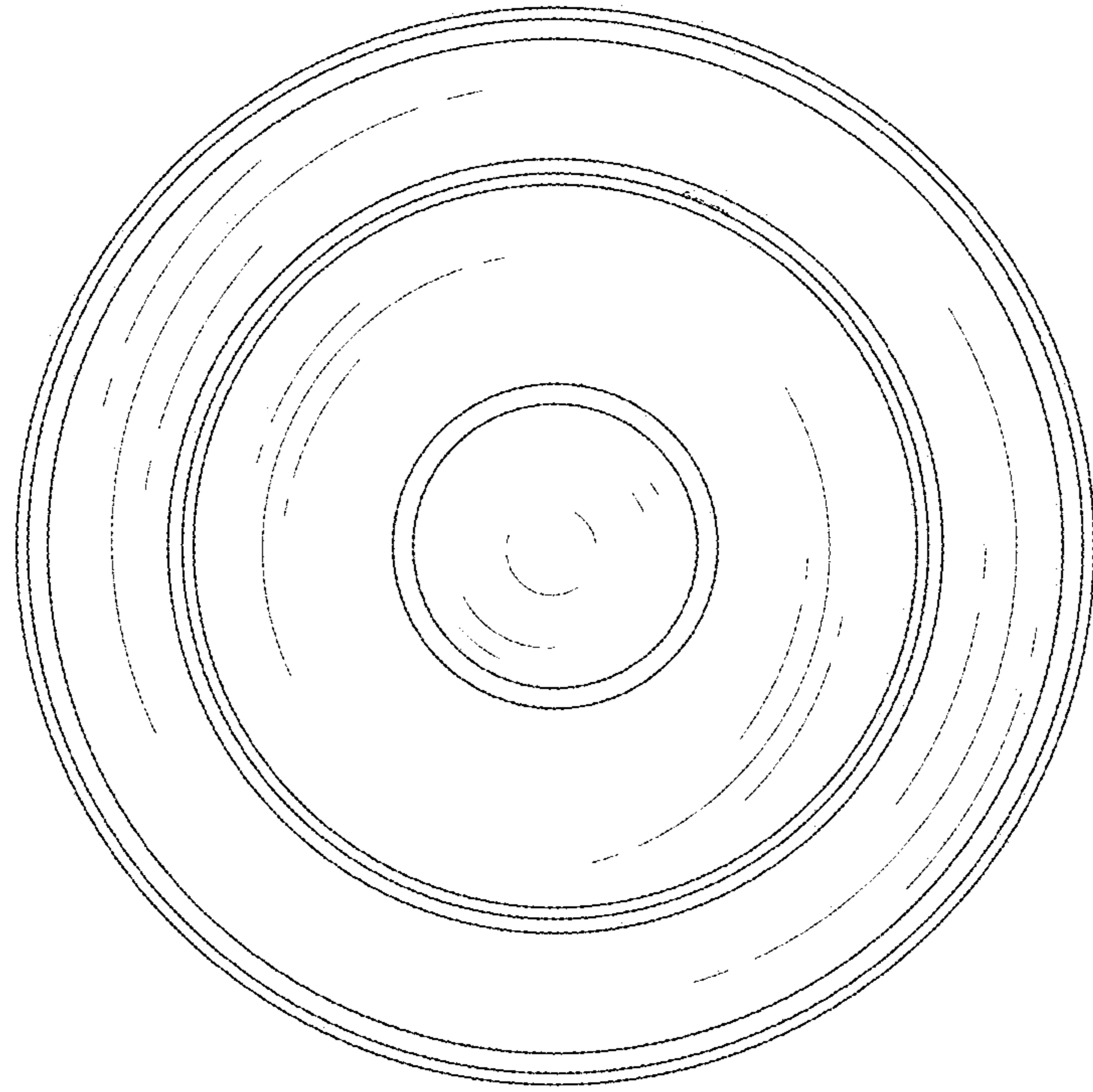


FIG.8