



US0D1042701S

(12) **United States Design Patent** (10) **Patent No.:** **US D1,042,701 S**  
**Jiang** (45) **Date of Patent:** **\*\* Sep. 17, 2024**

(54) **PUNCHING BAG**

(71) Applicant: **Kun Jiang**, Jiangxi (CN)

(72) Inventor: **Kun Jiang**, Jiangxi (CN)

(\*\*) Term: **15 Years**

(21) Appl. No.: **29/933,371**

(22) Filed: **Mar. 19, 2024**

(51) **LOC (14) Cl.** ..... **21-02**

(52) **U.S. Cl.**  
USPC ..... **D21/787**

(58) **Field of Classification Search**  
USPC ..... D21/439, 440, 662, 680, 688, 698, 722,  
D21/787, 798  
CPC ..... A63B 69/20; A63B 69/203; A63B 69/205;  
A63B 69/206; A63B 69/24; A63B 69/26;  
A63B 69/32; A63B 69/34; A63B  
2244/102; A63B 2244/106; A63B  
2244/10; A63B 2244/104; A63B 69/224;  
A63B 69/22; A63B 2220/53; A63B  
2071/026

See application file for complete search history.

(56) **References Cited**

**U.S. PATENT DOCUMENTS**

- 1,665,969 A \* 4/1928 McNamara ..... A63B 69/224  
482/90
- 5,624,358 A \* 4/1997 Hestilow ..... A63B 69/224  
482/90
- D409,670 S \* 5/1999 Kuo ..... A63B 69/224  
D21/662
- 6,027,435 A \* 2/2000 Nadorf ..... A63B 69/224  
482/146
- 6,390,958 B1 \* 5/2002 Chu ..... A63B 69/22  
482/90
- 6,464,621 B1 \* 10/2002 Chen ..... A63B 69/224  
482/90
- 6,790,167 B1 \* 9/2004 Carlin ..... A63B 69/224  
482/90

- RE39,372 E \* 11/2006 Kuo ..... A63B 69/224  
D21/798
- 7,357,760 B1 \* 4/2008 Rios ..... A63B 69/22  
482/90
- 7,704,194 B1 \* 4/2010 Chen ..... A63B 69/224  
482/90

(Continued)

**FOREIGN PATENT DOCUMENTS**

- EM 015052101-0003 \* 3/2024
- GB 6349994 \* 3/2024

**OTHER PUBLICATIONS**

“Gikpal Freestanding Punching Bag” available Aug. 7, 2020, [online], [site visited May 1, 2024]. Retrieved from Internet, URL: [https://www.amazon.com/GIKPAL-Freestanding-Punching-182lbs-Kickboxing/dp/B08BJHTW1K/ref=sr\\_1\\_1\\_sspa?crd=14VPHA4CBCR33&dib=eyJ2ljojMSJ9.i24qQUsF0Wbx76NCUtovkENQ42FHJ0bsnAbmoN7DPH6gKff](https://www.amazon.com/GIKPAL-Freestanding-Punching-182lbs-Kickboxing/dp/B08BJHTW1K/ref=sr_1_1_sspa?crd=14VPHA4CBCR33&dib=eyJ2ljojMSJ9.i24qQUsF0Wbx76NCUtovkENQ42FHJ0bsnAbmoN7DPH6gKff) (Year: 2020).\*

(Continued)

*Primary Examiner* — Mitchell I. Siegel  
*Assistant Examiner* — Rochel L Rimelspach-Zare  
(74) *Attorney, Agent, or Firm* — Ying-Ting Chen; Law Office of Michael Chen

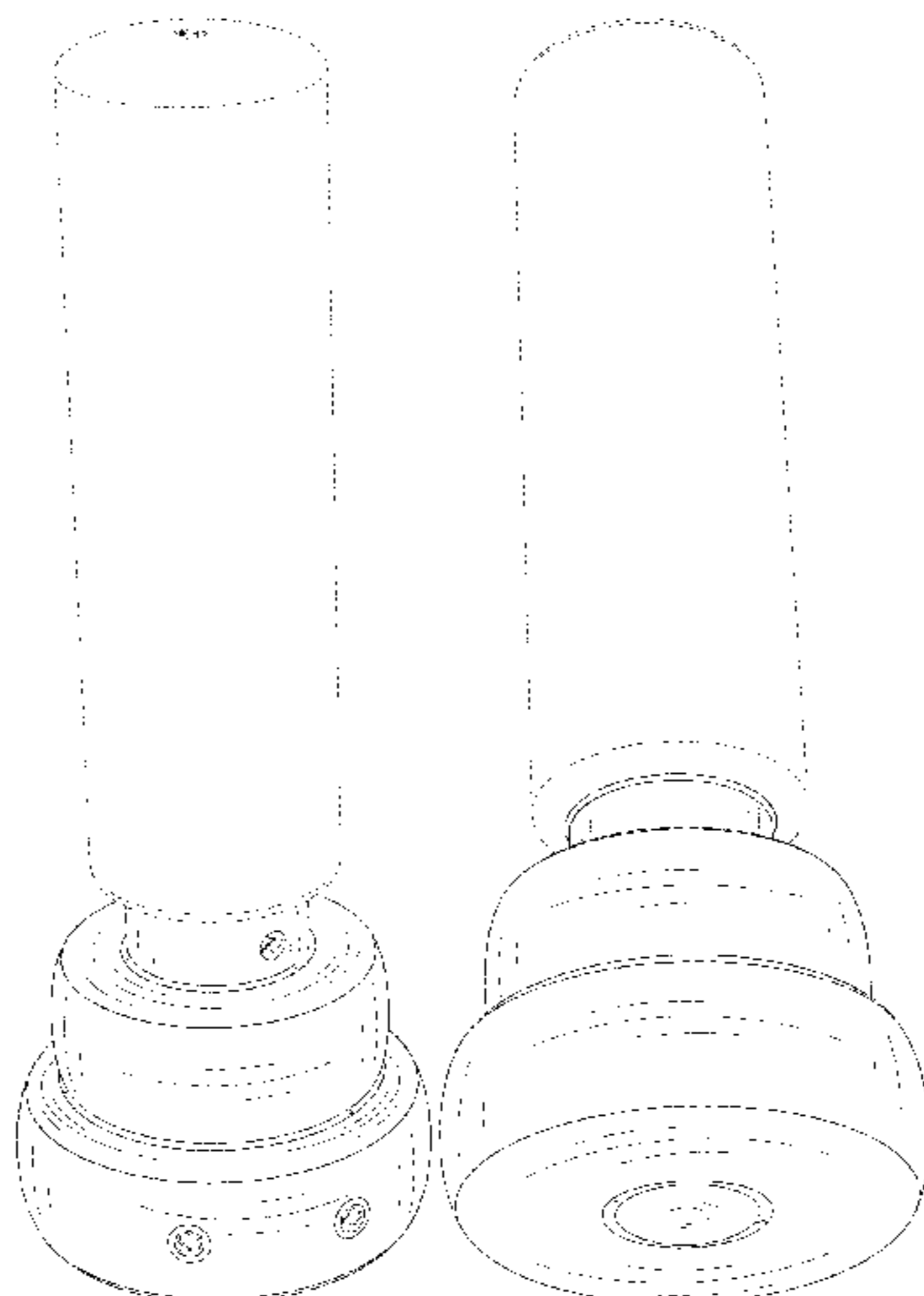
(57) **CLAIM**

The ornamental design for a punching bag, as shown and described.

**DESCRIPTION**

FIG. 1 is a perspective view of the punching bag showing my new design;  
FIG. 2 is another perspective view thereof;  
FIG. 3 is a front elevational view thereof;  
FIG. 4 is a rear elevational view thereof;  
FIG. 5 is a left side elevational view thereof;  
FIG. 6 is a right side elevational view thereof;  
FIG. 7 is a top plan view thereof; and,  
FIG. 8 is a bottom plan view thereof.

(Continued)



The broken lines in the figures illustrate portions that form no part of the claimed design.

**1 Claim, 8 Drawing Sheets**

2018/0001176 A1\* 1/2018 Siklosi ..... F16B 1/00  
 2023/0226423 A1\* 7/2023 Leavitt ..... A63B 69/222  
 482/87  
 2023/0356053 A1\* 11/2023 Sobotka ..... A63B 69/305  
 2023/0364482 A1\* 11/2023 Hoang ..... A63B 69/224  
 2024/0123313 A1\* 4/2024 Wu ..... A63B 69/22

(56)

**References Cited**

U.S. PATENT DOCUMENTS

D706,886 S \* 6/2014 Hafeken, Sr. .... A63B 69/22  
 D21/787  
 D709,976 S \* 7/2014 Clauder ..... D21/787  
 D757,196 S \* 5/2016 Shepherd ..... D21/699  
 9,399,161 B2\* 7/2016 Chen ..... A63B 69/22  
 10,207,169 B2\* 2/2019 Siklosi ..... F16B 2/08  
 D912,753 S \* 3/2021 Zheng ..... D21/787  
 D919,022 S \* 5/2021 Yang ..... D21/673  
 D926,903 S \* 8/2021 Zheng ..... D21/787  
 D1,005,429 S \* 11/2023 Zhu ..... D21/787  
 D1,006,935 S \* 12/2023 Zhu ..... D21/787  
 2011/0251024 A1\* 10/2011 Hu ..... A63B 69/224  
 482/90  
 2013/0331235 A1\* 12/2013 Fields ..... A63B 69/22  
 482/83  
 2014/0066268 A1\* 3/2014 Hafeken, Sr. .... A63B 69/22  
 482/85  
 2016/0166909 A1\* 6/2016 Heaney ..... G06F 11/3438  
 482/83  
 2017/0036087 A1\* 2/2017 Codrington ..... B32B 9/025

OTHER PUBLICATIONS

“Heavy Punching Bag with Stand” available Feb. 19, 2024, [online], [site visited May 1, 2024]. Retrieved from Internet, URL:https://www.amazon.com/dp/B0CS6D2YWL/ref=sspa\_dk\_detail\_3?psc=1&pd\_rd\_i=B0CS6D2YWL&pd\_rd\_w=woDUJ&content-id=amzn1.sym.eb7c1ac5-7c51-4df5-ba34-ca810f1f119a&pf\_rd\_p=eb7c1ac5-7c51-4df5-ba3 (Year: 2024).\*

“Century Torrent Training Bag” available Jun. 22, 2017, [online], [site visited May 1, 2024]. Retrieved from Internet, URL:https://www.amazon.com/dp/B086H6BHM7/ref=sspa\_dk\_detail\_7?pd\_rd\_i=B086H6BHM7&pd\_rd\_w=M8A75&content-id=amzn1.sym.eb7c1ac5-7c51-4df5-ba34-ca810f1f119a&pf\_rd\_p=eb7c1ac5-7c51-4df5-ba34-ca810 (Year: 2017).\*

“Yorwhin Upgrade Free Standing Punching Bag” available Oct. 6, 2023, [online], [site visited May 1, 2024]. Retrieved from Internet, URL:https://www.amazon.com/YORWHIN-Automatic-Inflation-Kickboxing-Taekwondo/dp/B0CKL3HSHK/ref=asc\_df\_B0CKL3HSHK/?tag=hyprod-20&linkCode=df0&hvadid=693032873496&hvpos=&hvnetw=g& (Year: 2023).\*

\* cited by examiner

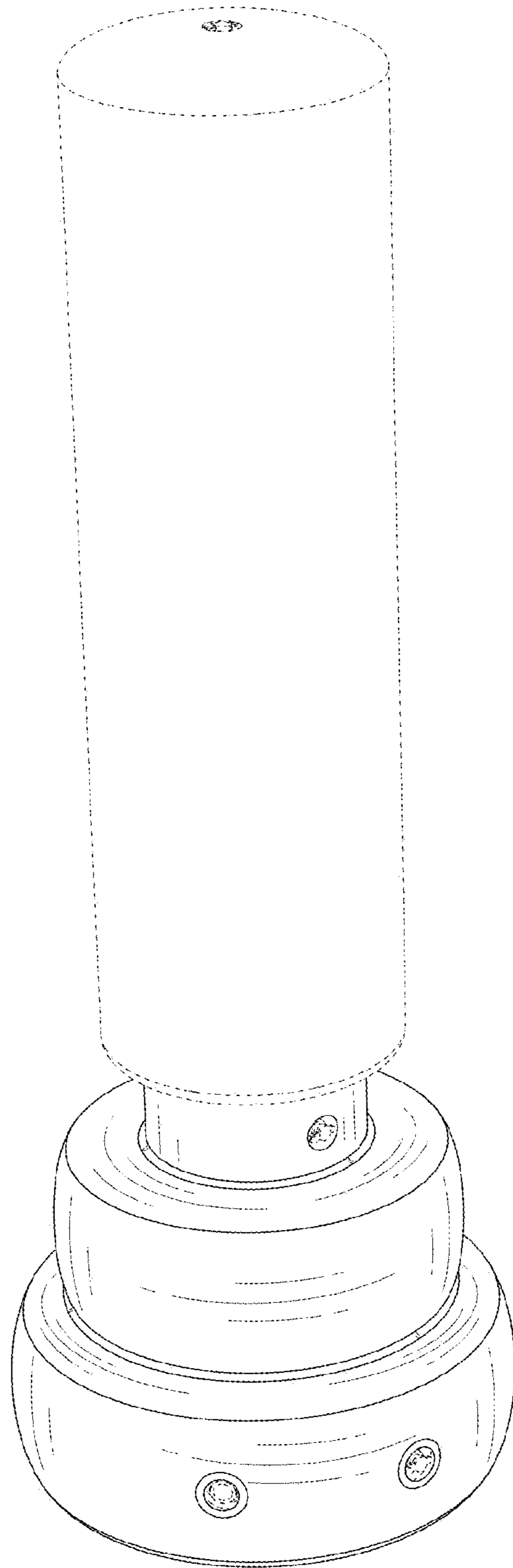


FIG.1

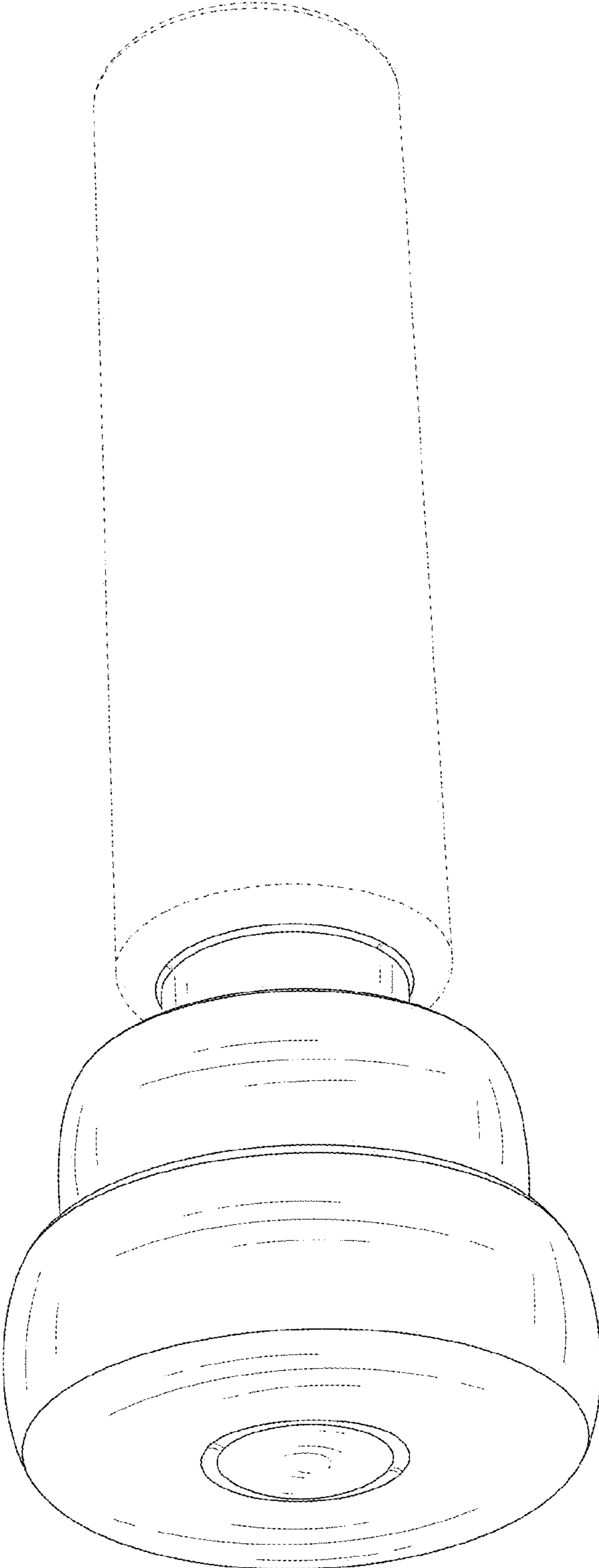


FIG.2

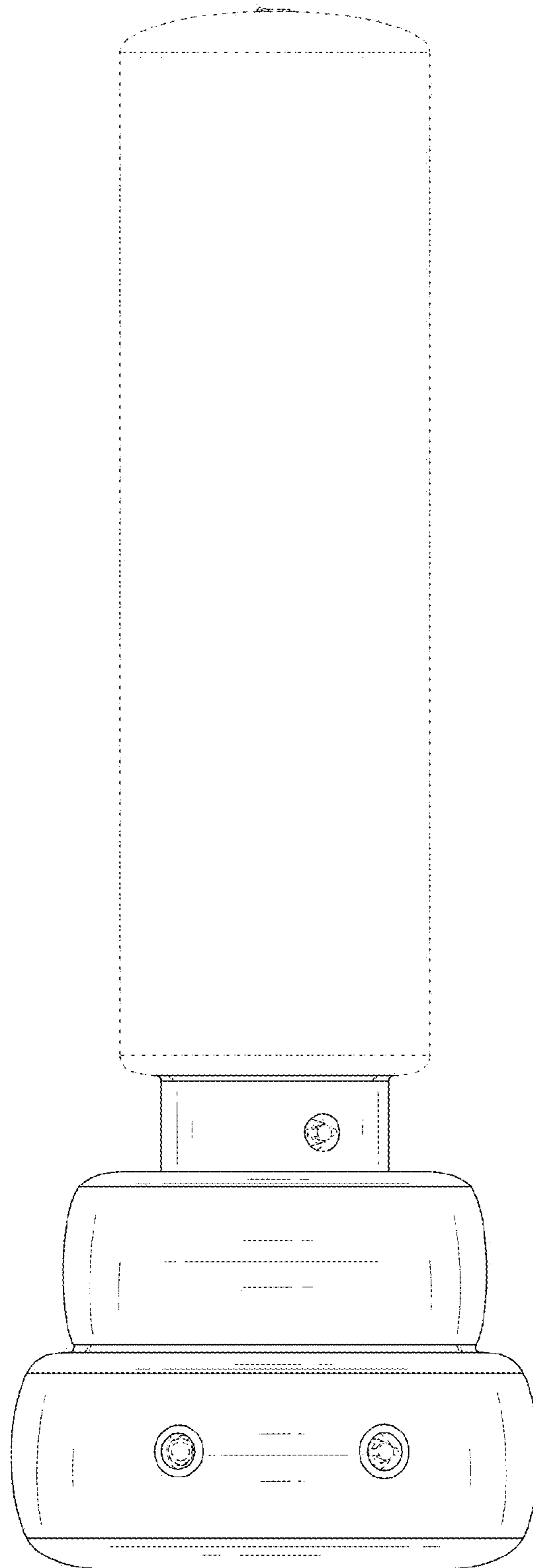


FIG.3

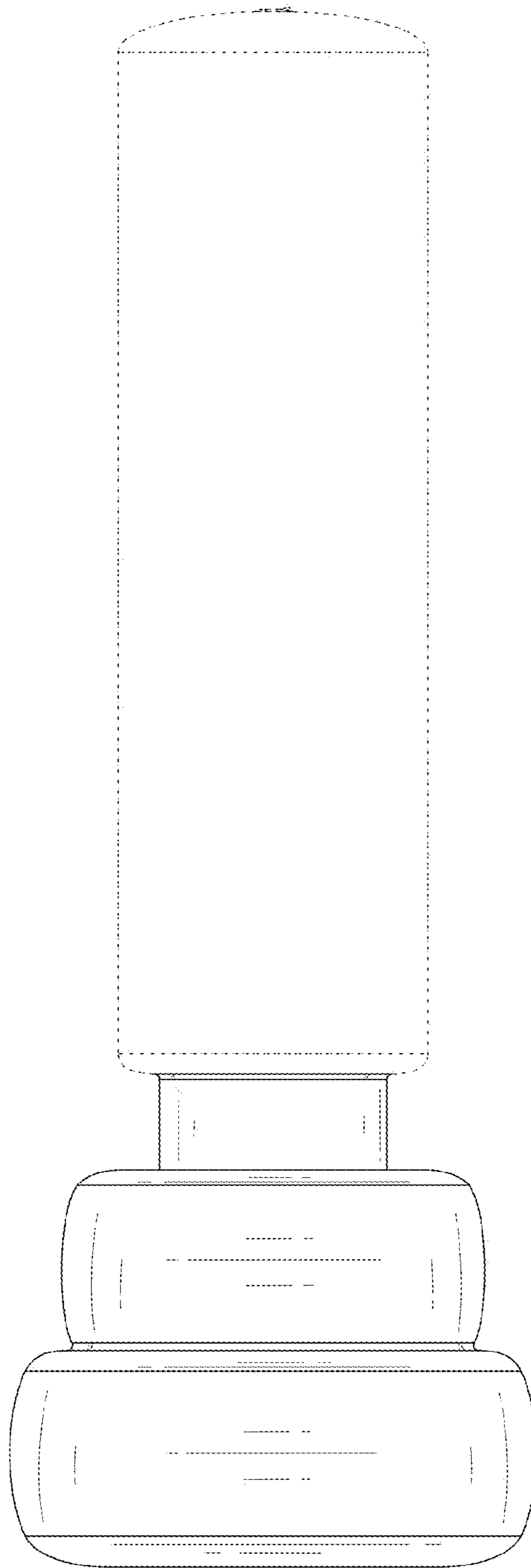


FIG.4

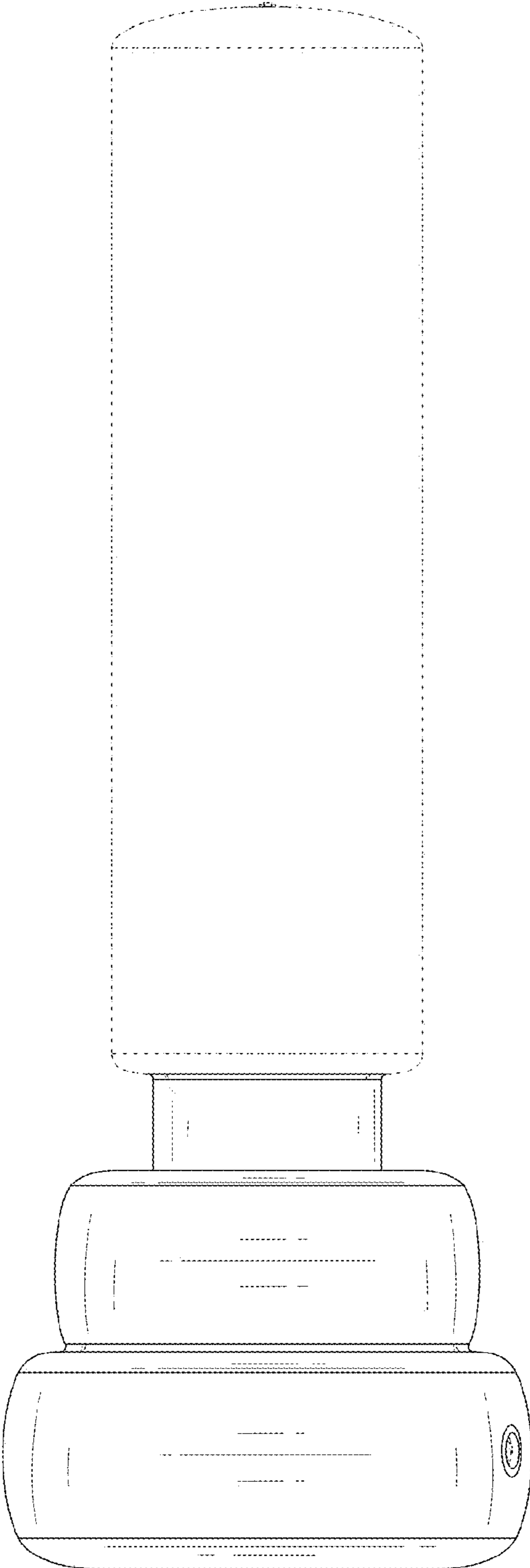


FIG.5

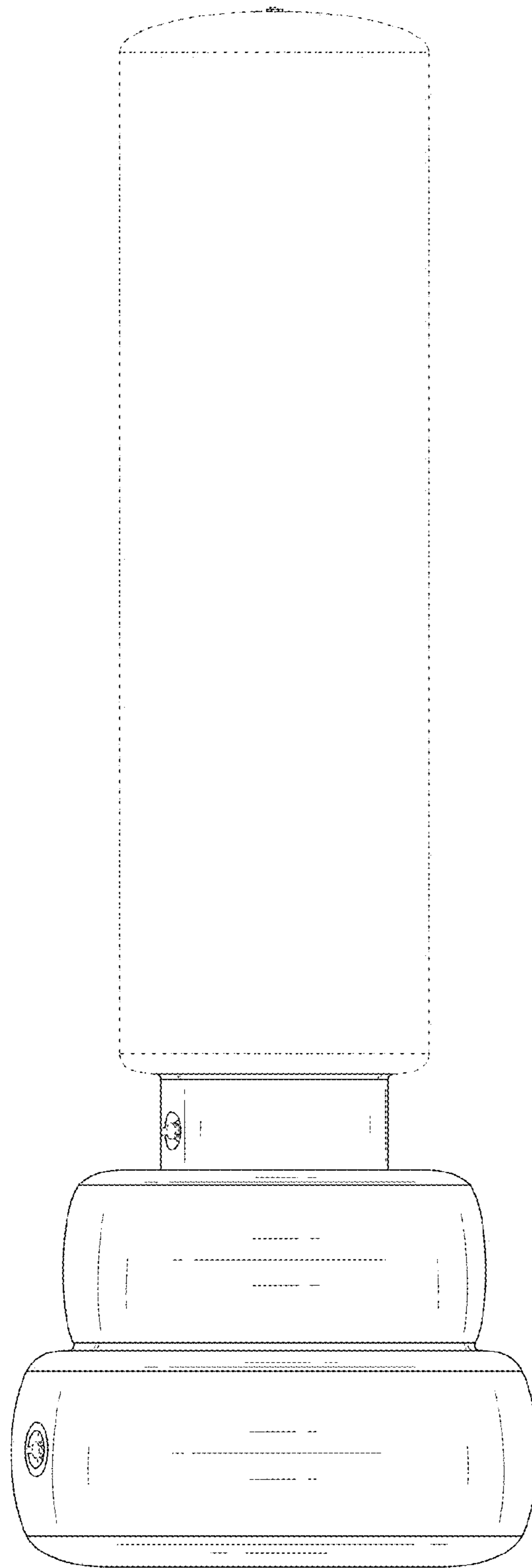


FIG.6



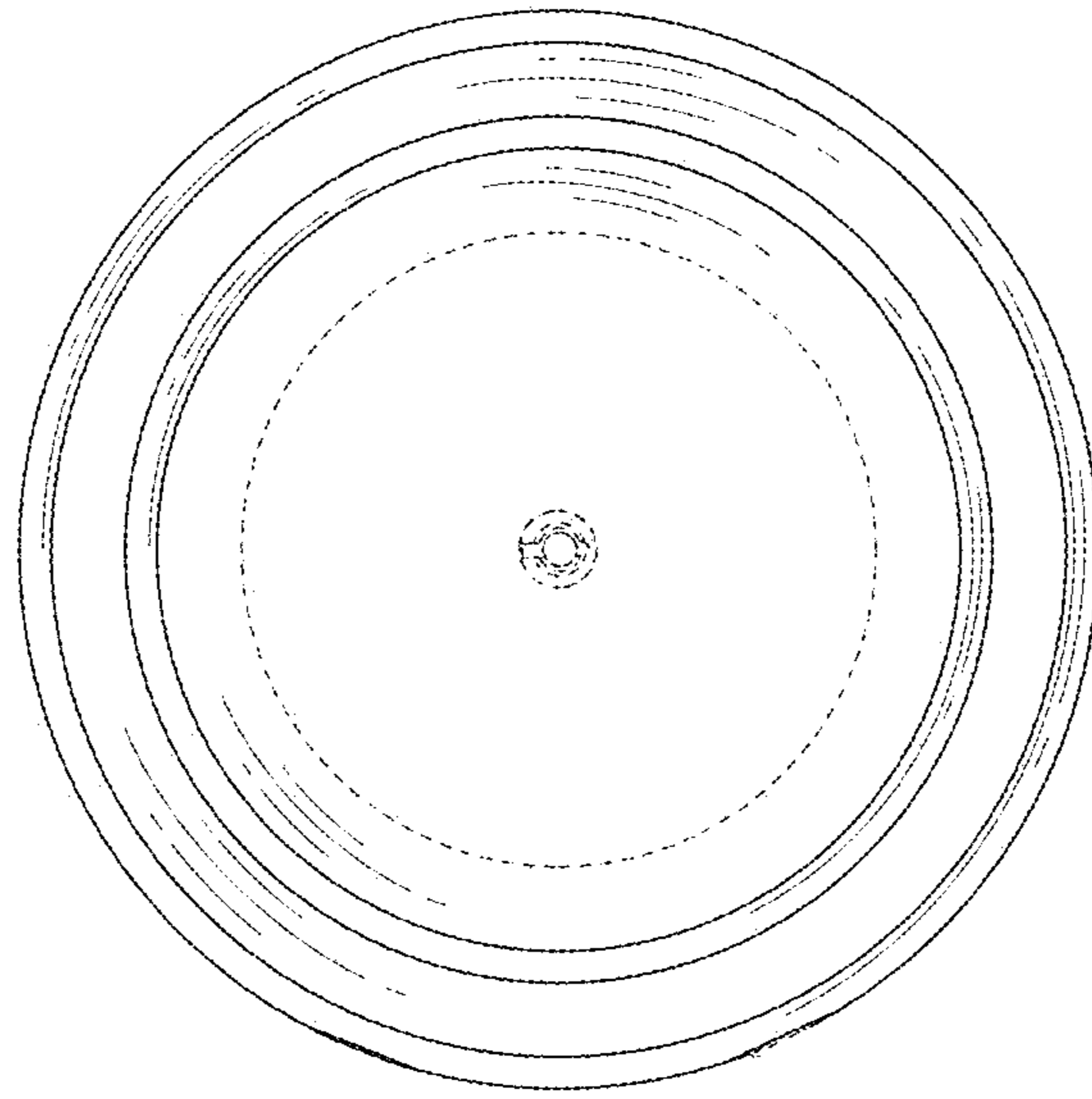


FIG.7

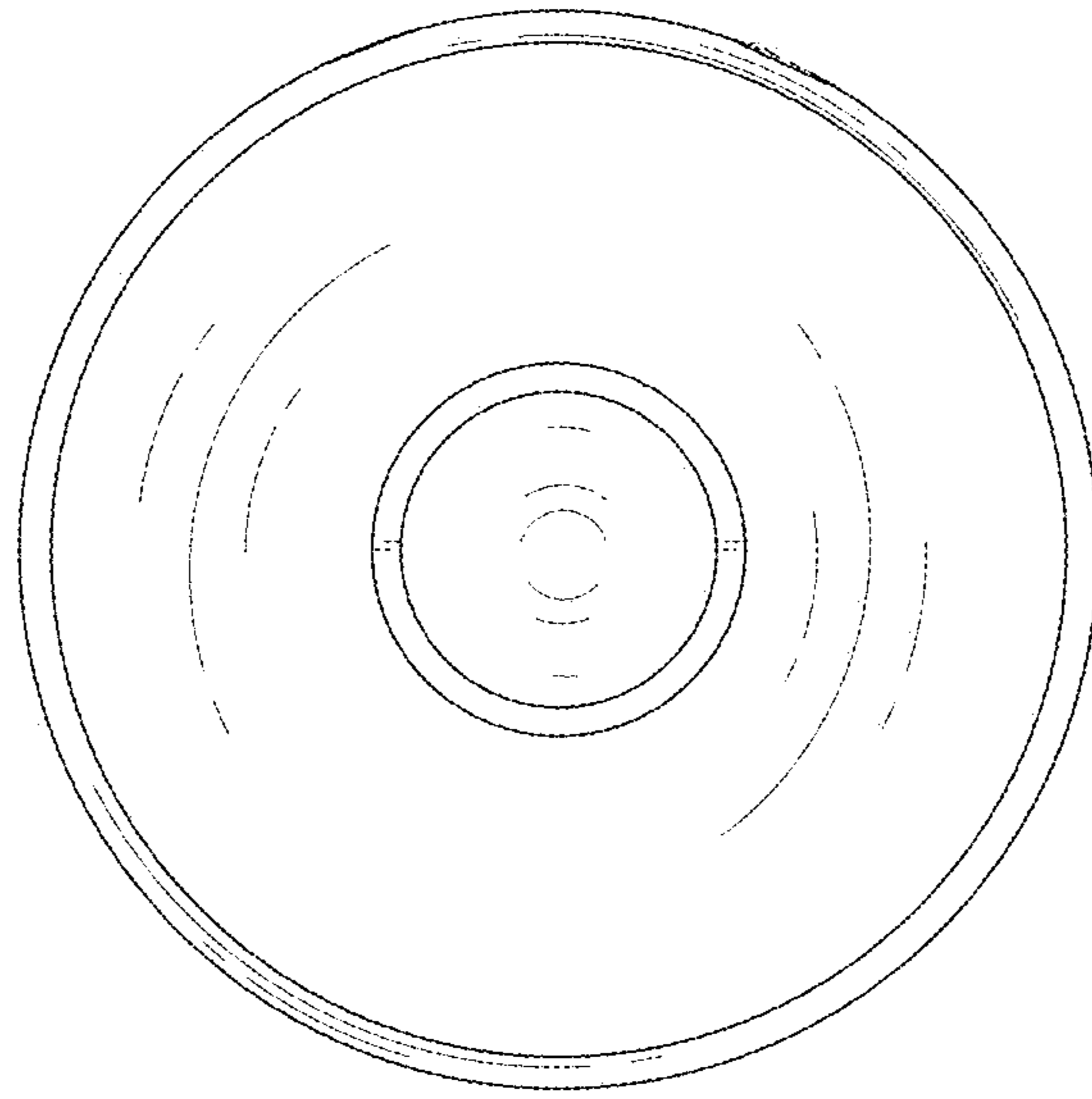


FIG.8