



US0D1042288S

(12) **United States Design Patent** (10) **Patent No.:** **US D1,042,288 S**
Echazabal et al. (45) **Date of Patent:** **** Sep. 17, 2024**

- (54) **VEHICLE WHEEL**
- (71) Applicant: **Toyota Motor North America, Inc.**,
Plano, TX (US)
- (72) Inventors: **Alberto Echazabal**, Prosper, TX (US);
Jakin C. Wilson, Prosper, TX (US)
- (73) Assignee: **Toyota Motor North America, Inc.**,
Plano, TX (US)

- D586,715 S 2/2009 Cortes
- D589,427 S 3/2009 Scheu
- D625,238 S 10/2010 Zhao
- D628,135 S 11/2010 Zhao
- D629,732 S 12/2010 Tirado
- D644,587 S 9/2011 Gotschke
- D656,448 S 3/2012 Zhao
- D670,227 S 11/2012 Chung
- D687,756 S 8/2013 Campbell et al.
- D688,187 S 8/2013 McMath
- D706,198 S 6/2014 Chung

(Continued)

- (**) Term: **15 Years**
- (21) Appl. No.: **29/881,176**
- (22) Filed: **Dec. 28, 2022**

Related U.S. Application Data

- (63) Continuation of application No. 29/747,034, filed on
Aug. 19, 2020, now Pat. No. Des. 977,396.
- (51) **LOC (14) Cl.** **12-16**
- (52) **U.S. Cl.**
USPC **D12/209**
- (58) **Field of Classification Search**
USPC D12/204-213, 501; D21/563, 779
CPC B60B 7/00; B60B 7/01; B60B 7/02; B60B
7/04; B60B 7/06; B60B 3/02; B60B 3/04;
B60B 3/06; B60B 3/10; B60B 1/00;
B60B 1/08; B60B 1/10; B60B 1/12;
B60B 21/00
See application file for complete search history.

(56) **References Cited**

U.S. PATENT DOCUMENTS

- D395,031 S 6/1998 Timm
- D402,952 S 12/1998 Sycha
- D475,336 S 6/2003 Larson
- D496,623 S 9/2004 Elmitt
- D554,035 S 10/2007 Groom
- D572,185 S 7/2008 Pollmann
- D579,397 S 10/2008 Osborne

OTHER PUBLICATIONS

2024 Tundra 1794 Limited Edition, Published Sep. 28, 2023 [online],
[retrieved on May 13, 2024]. Retrieved from the Internet: <https://www.carscoops.com/2023/09/toyota-will-make-just-1500-leather-loaded-2024-tundra-1794-limited-editions/> (Year: 2023).*

Primary Examiner — Mark A Goodwin
Assistant Examiner — Adam C Mager
(74) *Attorney, Agent, or Firm* — Dinsmore & Shohl LLP

(57) **CLAIM**

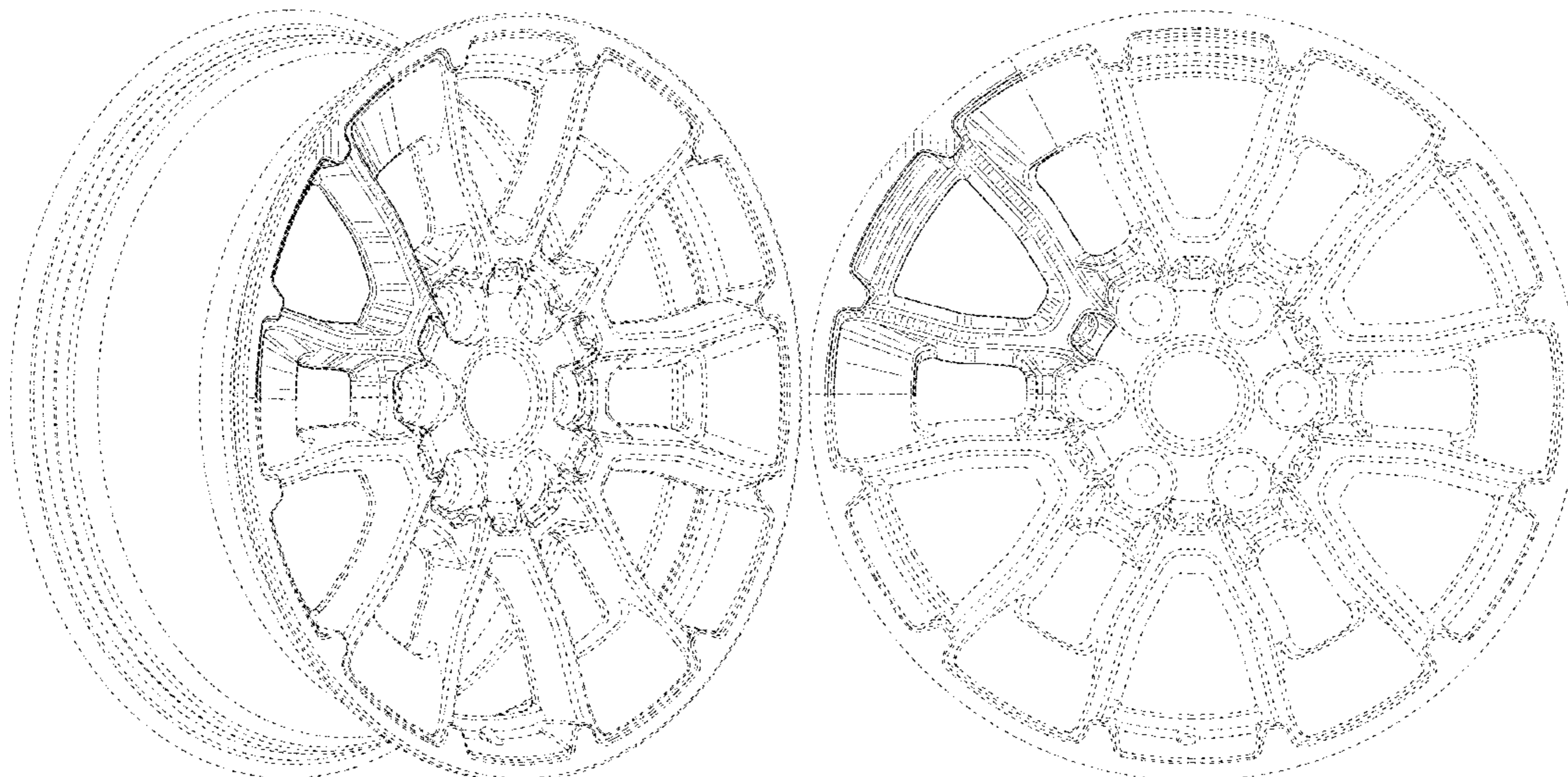
The ornamental design for a vehicle wheel, as shown and described.

DESCRIPTION

FIG. 1 is a front perspective view of a vehicle wheel in accordance with our new design;
FIG. 2 is a rear perspective view thereof;
FIG. 3 is a front view thereof;
FIG. 4 is a rear view thereof; and,
FIG. 5 is a left side view thereof, with the right side being a mirror image thereof.

The broken lines in the drawings are included for the purpose of illustrating environmental structure and form no part of the claimed design. The dot-dashed lines are included for the purpose of illustrating boundary lines and form no part of the claimed design.

1 Claim, 5 Drawing Sheets



(56)

References Cited

U.S. PATENT DOCUMENTS

D731,946 S	6/2015	Chung	D817,846 S	5/2018	Stone et al.	
D733,027 S	6/2015	Chung	D823,777 S *	7/2018	Ninov	D12/211
D750,004 S	2/2016	Chung	D835,024 S	12/2018	Han	
D758,948 S	6/2016	Trpinac	D836,519 S *	12/2018	Kikuchi	D12/209
D765,002 S	8/2016	Hoste et al.	D849,660 S	5/2019	Ranum	
D767,468 S	9/2016	Stone et al.	D854,487 S	7/2019	Hale	
D781,197 S	3/2017	Ninov et al.	D855,002 S	7/2019	Ranum	
D781,199 S	3/2017	Dionisopoulos et al.	D876,305 S *	2/2020	Lee	D12/209
D781,766 S	3/2017	Galante et al.	D876,309 S	2/2020	Echazabal	
D782,383 S	3/2017	Owens et al.	D877,018 S *	3/2020	Betancourt	D12/209
D783,496 S	4/2017	Glover et al.	D885,297 S	5/2020	Hale	
D786,165 S	5/2017	Hale, Jr.	D897,924 S	10/2020	Arias	
D787,405 S	5/2017	Nakamura	D904,956 S *	12/2020	Metros	D12/209
D789,861 S	6/2017	Macey et al.	D927,386 S *	8/2021	Licklitter	D12/209
D791,036 S	7/2017	Owens et al.	D936,549 S *	11/2021	Sempek	D12/209
D792,827 S	7/2017	Chung	D968,306 S *	11/2022	Ghobrial	D12/209
D799,399 S	10/2017	Chung	D977,396 S *	2/2023	Echazabal	D12/209
D800,044 S	10/2017	Ghobrial et al.	D981,307 S *	3/2023	Wassell	D12/209
			D981,308 S *	3/2023	Wassell	D12/209
			D987,525 S *	5/2023	Scenna	D12/211
			D1,022,836 S *	4/2024	Sempek	D12/211

* cited by examiner

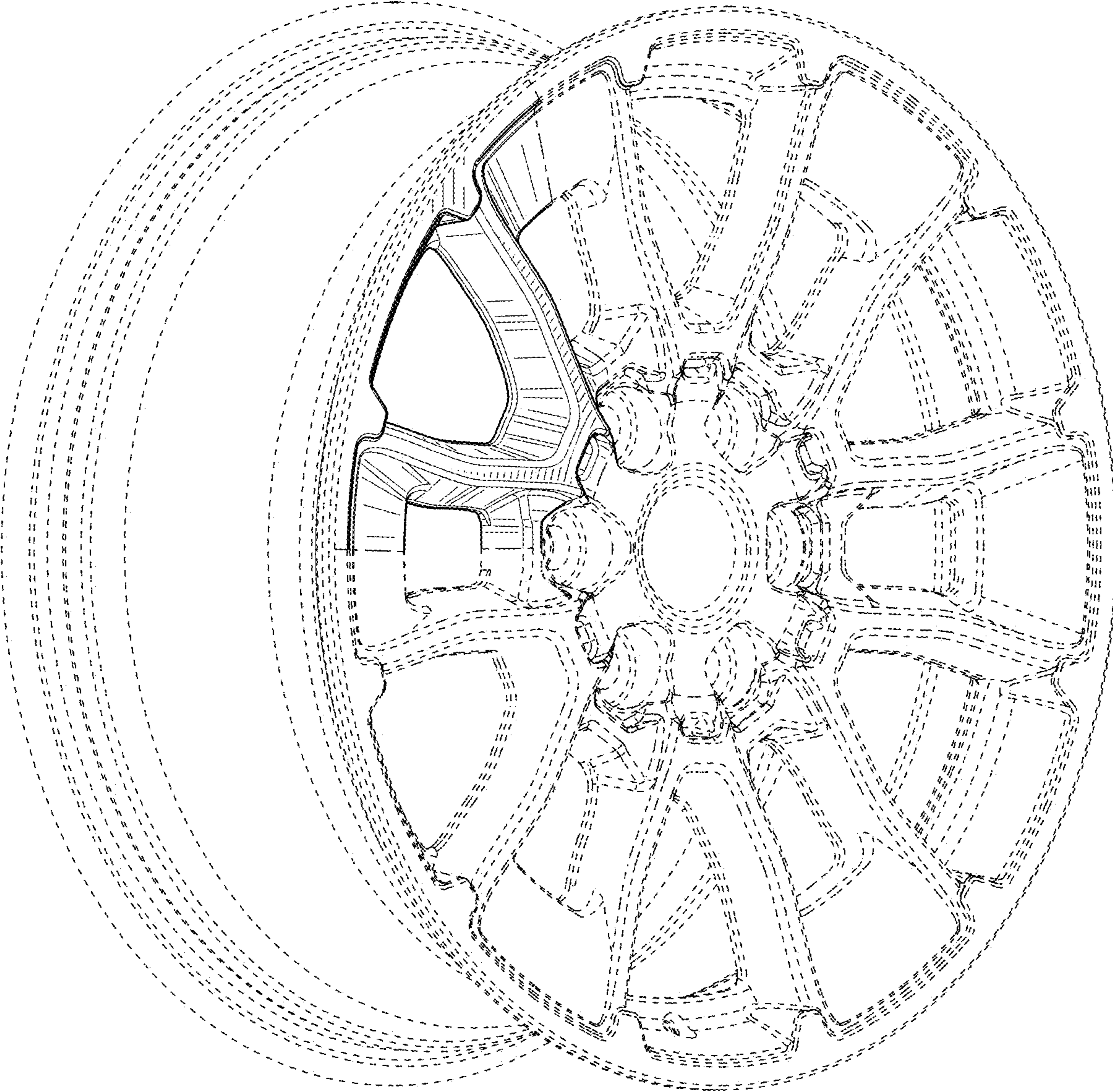


FIG. 1

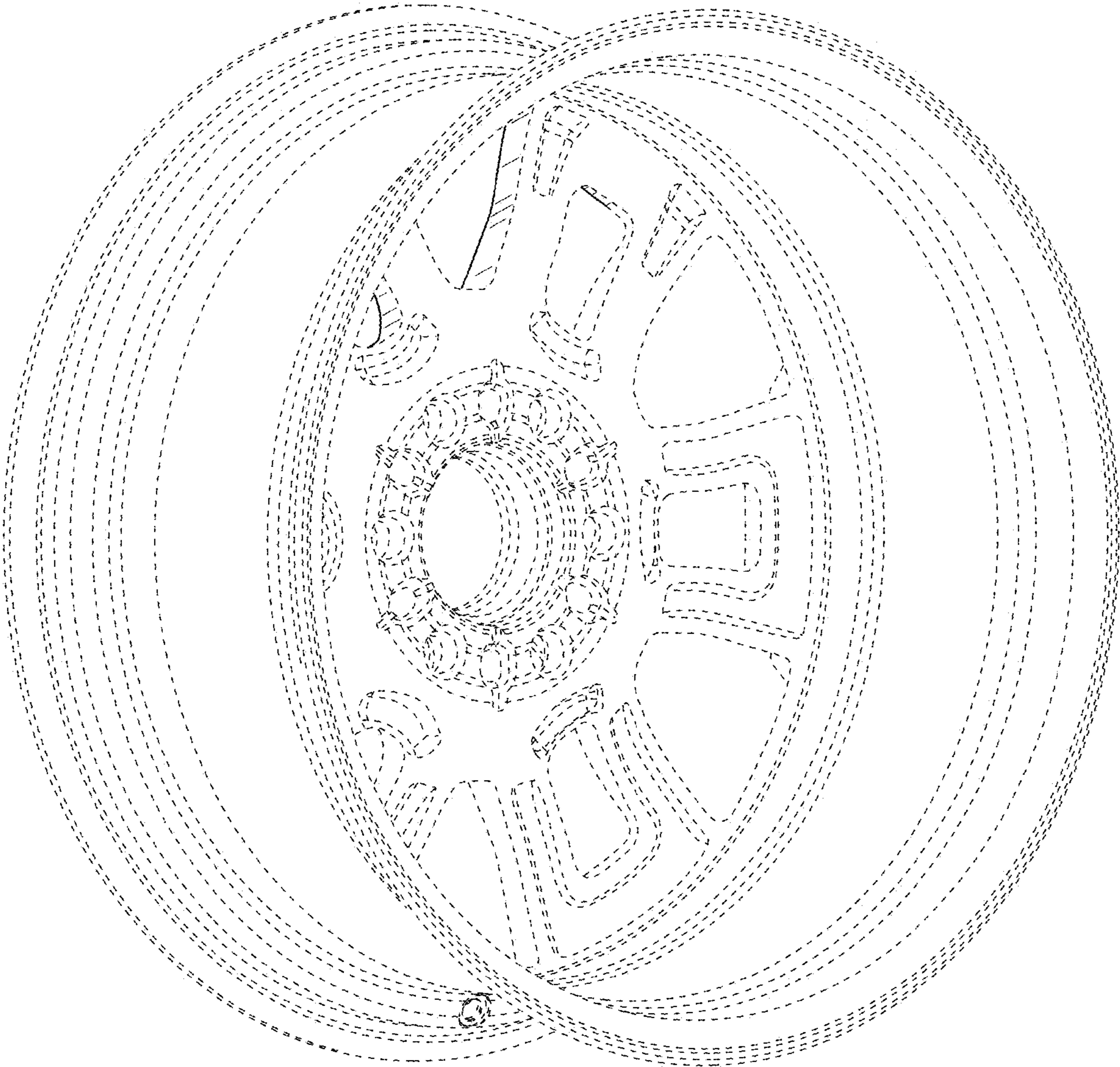


FIG. 2

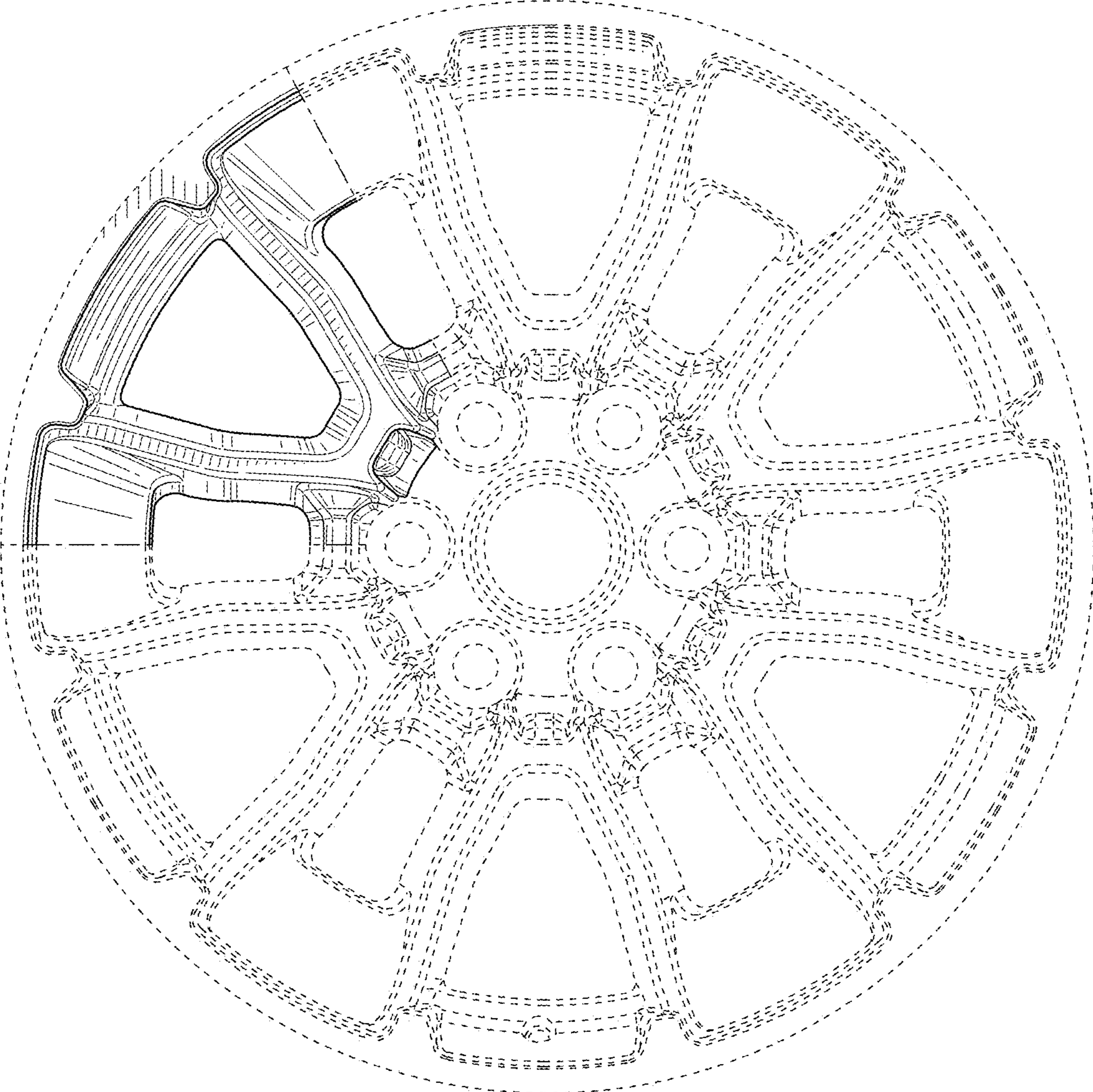


FIG. 3

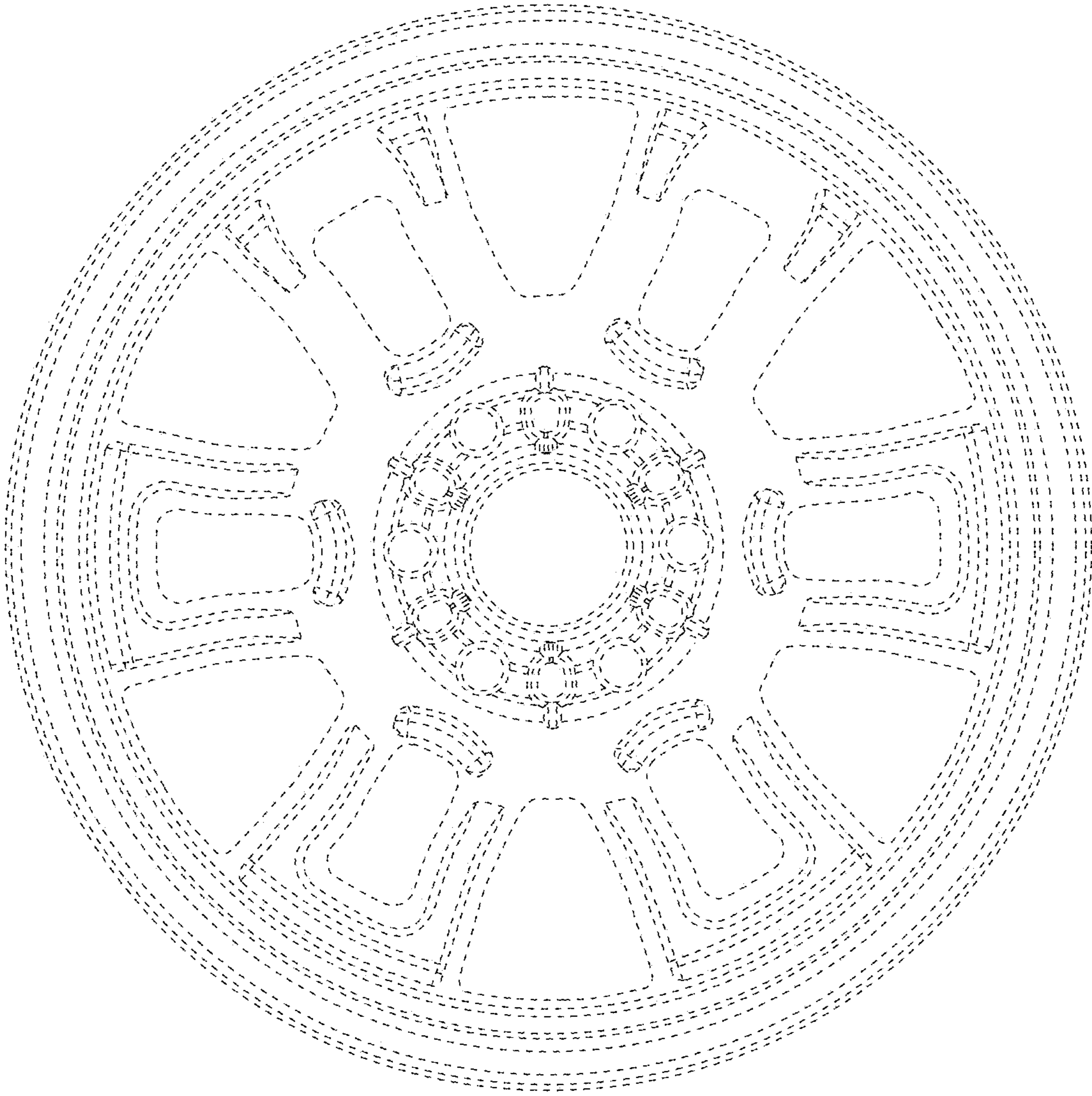


FIG. 4

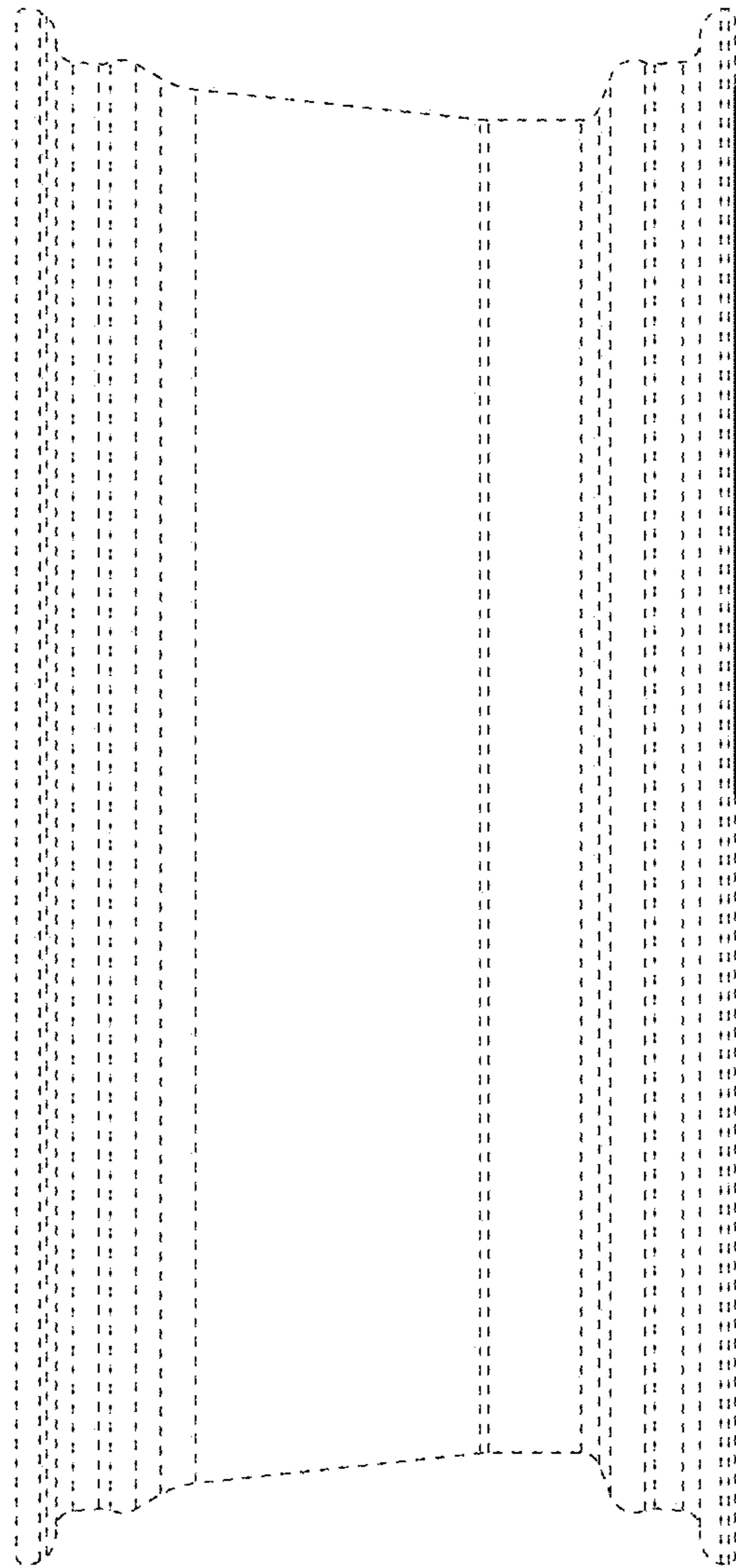


FIG. 5