



US0D1042139S

(12) **United States Design Patent**
Caporin

(10) **Patent No.:** **US D1,042,139 S**

(45) **Date of Patent:** **** Sep. 17, 2024**

(54) **CONTAINER**

(71) Applicant: **Dr Pepper/Seven Up, Inc.**, Frisco, TX
(US)

(72) Inventor: **Nicholas James Caporin**, Frisco, TX
(US)

(73) Assignee: **Dr Pepper/Seven Up, Inc.**, Frisco, TX
(US)

(**) Term: **15 Years**

(21) Appl. No.: **29/839,480**

(22) Filed: **May 20, 2022**

(51) **LOC (14) Cl.** **09-01**

(52) **U.S. Cl.**
USPC **D9/516; D9/552; D9/550; D9/558**

(58) **Field of Classification Search**
USPC D9/516, 537-540, 549, 550, 552, 558
CPC B65D 1/0223; B65D 2501/0036; B65D
1/0284; B65D 1/44; B65D 2501/0027;
B65D 2501/0018; B65D 2501/0081
See application file for complete search history.

(56) **References Cited**

U.S. PATENT DOCUMENTS

D56,029 S	8/1920	Quigg	
D286,617 S	11/1986	Goodwin et al.	
5,209,372 A	5/1993	Norwood	
D358,547 S	5/1995	Darr	
D376,319 S	12/1996	Miller	
5,704,504 A	1/1998	Bueno	
D409,493 S *	5/1999	Waggaman	D9/552
D414,112 S *	9/1999	Waggaman	D9/552
D458,962 S *	6/2002	Wang	D9/552
D466,023 S *	11/2002	Eickmeier	D9/552
D473,588 S *	4/2003	Wang	D9/552
D480,314 S *	10/2003	Johnson	D9/552
D480,650 S *	10/2003	Moore	D9/540

D484,809 S *	1/2004	Pascuzzo	D9/552
D496,280 S *	9/2004	Mero	D9/552
D506,138 S *	6/2005	Zboch	D9/552
D506,139 S *	6/2005	Zboch	D9/552
D506,923 S *	7/2005	Zboch	D9/558
RE38,770 E	8/2005	Gilbert	
D509,436 S *	9/2005	Mero	D9/558
D510,271 S *	10/2005	Mero	D9/558
D515,933 S *	2/2006	Mero	D9/552
D517,417 S *	3/2006	Livingston	D9/552
D522,874 S *	6/2006	Livingston	D9/552
D527,267 S *	8/2006	Zboch	D9/552
D527,635 S *	9/2006	Zboch	D9/552
7,228,981 B2	6/2007	Chisholm	

(Continued)

FOREIGN PATENT DOCUMENTS

CN	303905661	*	11/2016
CN	306720026	*	7/2021

(Continued)

Primary Examiner — Brett Miller

Assistant Examiner — Rani J Abdallah

(74) *Attorney, Agent, or Firm* — Pizarro Allen PC

(57)

CLAIM

The ornamental design for a container, as shown and described.

DESCRIPTION

FIG. 1 is an upper perspective view of a container showing my new design;

FIG. 2 is a front elevational view thereof;

FIG. 3 is a back elevational view thereof;

FIG. 4 is a right side elevational view thereof;

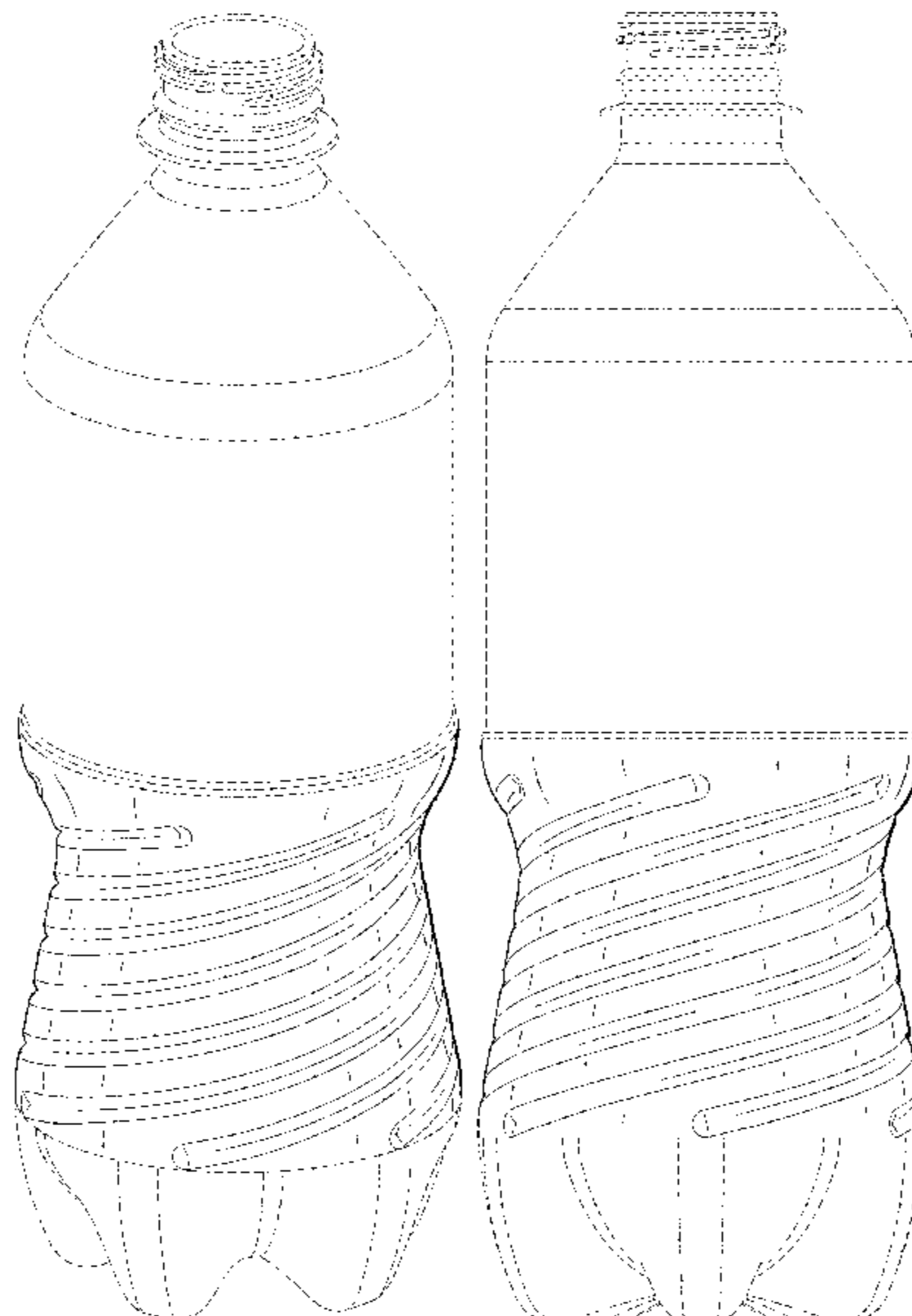
FIG. 5 is a left side elevational view thereof;

FIG. 6 is a top plan view thereof; and,

FIG. 7 is a bottom plan view thereof.

The features shown in broken lines are for illustrative purposes only and form no part of the claimed design.

1 Claim, 6 Drawing Sheets



(56)

References Cited

U.S. PATENT DOCUMENTS

D552,477 S * 10/2007 Hermel D9/516
 D555,486 S * 11/2007 Bourne D9/552
 D555,494 S * 11/2007 Darr D9/552
 D556,579 S * 12/2007 Goto D9/552
 D556,580 S * 12/2007 Yamada D9/552
 D556,581 S * 12/2007 Yamada D9/552
 D556,590 S * 12/2007 Dorn D9/552
 D559,694 S * 1/2008 Le Bras-Brown D9/552
 D560,502 S * 1/2008 Darr D9/552
 D561,042 S * 2/2008 Darr D9/550
 D561,596 S * 2/2008 Hyde et al.
 D565,418 S * 4/2008 Darr D9/552
 D565,419 S * 4/2008 Darr D9/552
 D566,571 S * 4/2008 Darr D9/552
 D566,572 S * 4/2008 Darr D9/552
 D567,092 S * 4/2008 Venkataraman D9/516
 D569,259 S * 5/2008 Darr D9/556
 D572,143 S * 7/2008 Laupie D9/538
 D576,050 S * 9/2008 Darr D9/552
 D576,051 S * 9/2008 Darr D9/552
 D576,496 S * 9/2008 Darr D9/552
 D581,799 S * 12/2008 Bourne D9/552
 D582,290 S * 12/2008 Dimmel et al.
 D582,779 S * 12/2008 Bourne D9/552
 D582,780 S * 12/2008 Bourne D9/552
 D582,782 S * 12/2008 Toson D9/552
 D583,245 S * 12/2008 Lepoitevin D9/552
 D584,629 S * 1/2009 Darr et al.
 D584,630 S * 1/2009 Darr et al.
 D592,963 S * 5/2009 Dorn et al.
 D600,559 S * 9/2009 Lepoitevin
 D602,782 S * 10/2009 Lepoitevin D9/550
 D602,783 S * 10/2009 Lepoitevin D9/538
 7,604,140 B2 * 10/2009 Pritchett, Jr. et al.
 D603,268 S * 11/2009 Bourne D9/552
 D603,709 S * 11/2009 Lepoitevin D9/552
 D604,169 S * 11/2009 Melossi
 D609,105 S * 2/2010 Tiefenback D9/552
 D614,963 S * 5/2010 Arnell
 D617,647 S * 6/2010 Bledsoe D9/540
 D618,110 S * 6/2010 Arnell
 D619,897 S * 7/2010 Arnell
 D621,264 S * 8/2010 Williams
 D623,067 S * 9/2010 Lovelace, Jr. D9/538
 D623,950 S * 9/2010 Eugui D9/516
 D624,824 S * 10/2010 Perez D9/552
 D635,461 S * 4/2011 Inoi D9/538
 D643,729 S * 8/2011 Lovelace, Jr. D9/538
 D652,733 S * 1/2012 Oommen D9/538
 8,113,368 B2 * 2/2012 Oguchi et al.
 D658,065 S * 4/2012 Oommen D9/538
 8,186,529 B2 * 5/2012 Kinmont et al.
 D665,671 S * 8/2012 Loetz D9/538
 D666,497 S * 9/2012 Lepoitevin D9/552
 D671,007 S * 11/2012 Lovelace, Jr. D9/552
 8,544,667 B2 * 10/2013 Ozawa et al.
 D699,580 S * 2/2014 Eaton et al.
 D700,842 S * 3/2014 Lo D9/552
 D701,123 S * 3/2014 Lo et al.
 D736,638 S * 8/2015 Boon
 D738,734 S * 9/2015 Cripe D9/540
 D739,752 S * 9/2015 Eaton D9/540
 D739,757 S * 9/2015 Newton et al.
 D739,758 S * 9/2015 Kissinger D9/552

D740,119 S * 10/2015 Smith D9/552
 D741,718 S * 10/2015 Hanan D9/538
 D742,234 S * 11/2015 Cripe D9/540
 D743,263 S * 11/2015 Pedmo D9/539
 D748,482 S * 2/2016 Darr D9/550
 D748,486 S * 2/2016 Clarke D9/552
 D752,445 S * 3/2016 Jasso Gomez D9/539
 D756,798 S * 5/2016 Fine D9/552
 D757,556 S * 5/2016 Lesueur D9/555
 D759,494 S * 6/2016 Hanan D9/538
 D763,092 S * 8/2016 Darr D9/539
 D767,404 S * 9/2016 Eaton et al.
 D767,993 S * 10/2016 Joshi D9/539
 D772,717 S * 11/2016 Peacock
 D788,899 S * 6/2017 Valentino D9/558
 D789,202 S * 6/2017 Kissinger D9/516
 D789,795 S * 6/2017 Boon D9/540
 D790,354 S * 6/2017 Veletakos D9/539
 D790,974 S * 7/2017 Hanan D9/552
 D798,110 S * 9/2017 Valenti et al.
 D803,061 S * 11/2017 Darr D9/538
 D804,318 S * 12/2017 Perez et al.
 D808,277 S * 1/2018 Darr D9/552
 D808,813 S * 1/2018 Moore D9/538
 D810,575 S * 2/2018 Jovanovic D9/551
 D811,230 S * 2/2018 Jovanovic D9/538
 D813,046 S * 3/2018 Llewellyn D9/552
 D830,830 S * 10/2018 Kunst
 D832,104 S * 10/2018 Kunst
 10,427,824 B2 * 10/2019 Matsunami
 D867,891 S * 11/2019 Yamaguchi D9/552
 D871,222 S * 12/2019 Dabrowski D9/552
 D871,224 S * 12/2019 Dabrowski D9/552
 D872,581 S * 1/2020 Dabrowski D9/552
 D882,877 S * 4/2020 Lin D9/552
 D883,576 S * 5/2020 Lin D9/552
 D890,611 S * 7/2020 Bhat D9/552
 D893,303 S * 8/2020 Cheng et al.
 10,787,287 B2 * 9/2020 Usami et al.
 10,899,493 B2 * 1/2021 Yourist et al.
 D910,450 S * 2/2021 Bhat D9/516
 D917,294 S * 4/2021 Alima D9/540
 D918,048 S * 5/2021 Cheng et al.
 D939,353 S * 12/2021 Safiullah D9/516
 D958,659 S * 7/2022 Safiullah D9/516
 D958,661 S * 7/2022 Safiullah D9/550
 D959,273 S * 8/2022 Joshi D9/540
 D972,937 S * 12/2022 Castillo D9/552
 D981,242 S * 3/2023 Jackson, III D9/552
 D984,898 S * 5/2023 Macias Mejia D9/543
 D996,219 S * 8/2023 Hossain D9/552
 D1,011,891 S * 1/2024 Eaton D9/516
 D1,011,898 S * 1/2024 Eaton D9/516
 D1,011,899 S * 1/2024 Eaton D9/516
 D1,013,520 S * 2/2024 Baldassar D9/540
 2006/0207961 A1 * 9/2006 Kurtz
 2007/0068894 A1 * 3/2007 Iwashita et al.
 2010/0072166 A1 * 3/2010 Dickie
 2010/0072167 A1 * 3/2010 Dickie
 2019/0225363 A1 * 7/2019 Usami

FOREIGN PATENT DOCUMENTS

KR 301106900.0000 * 5/2021
 KR 301108793.0000 * 5/2021

* cited by examiner

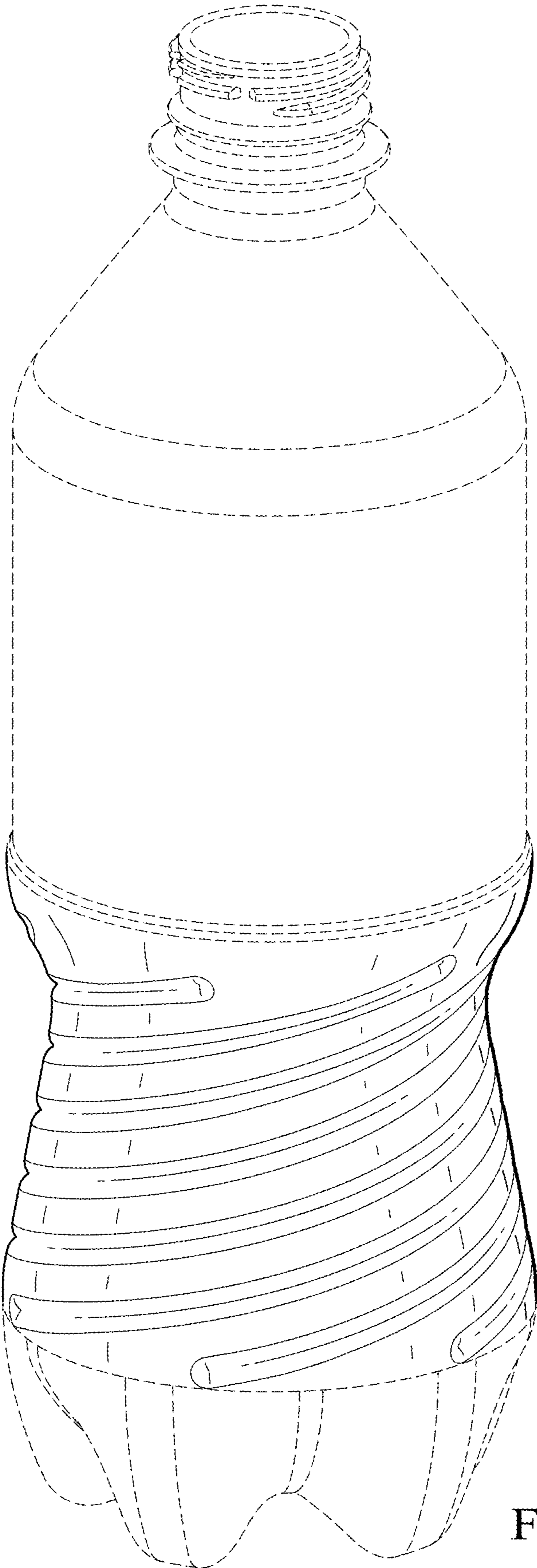


FIG. 1

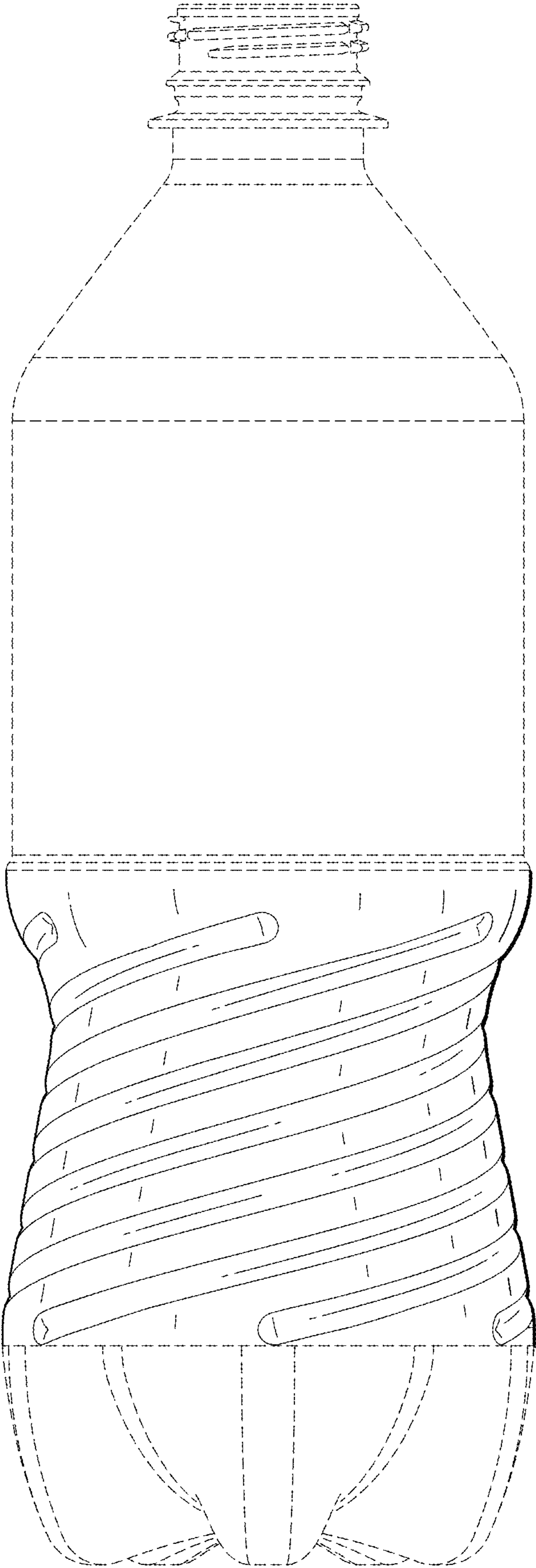


FIG. 2

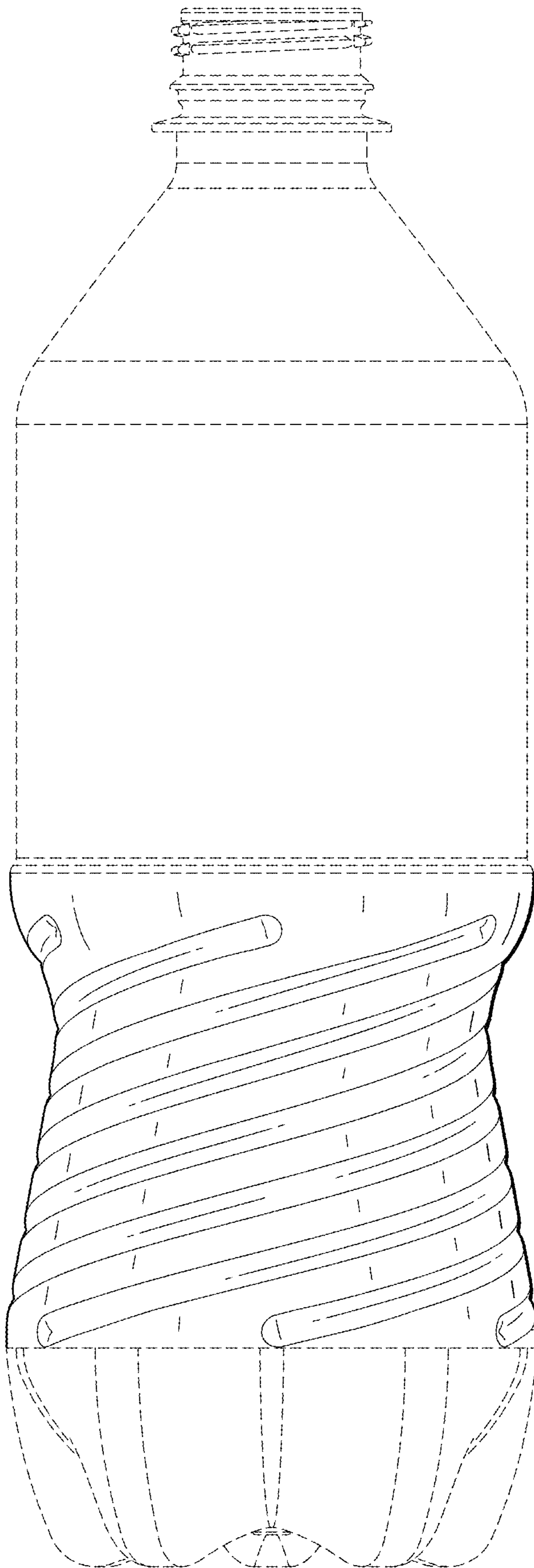


FIG. 3

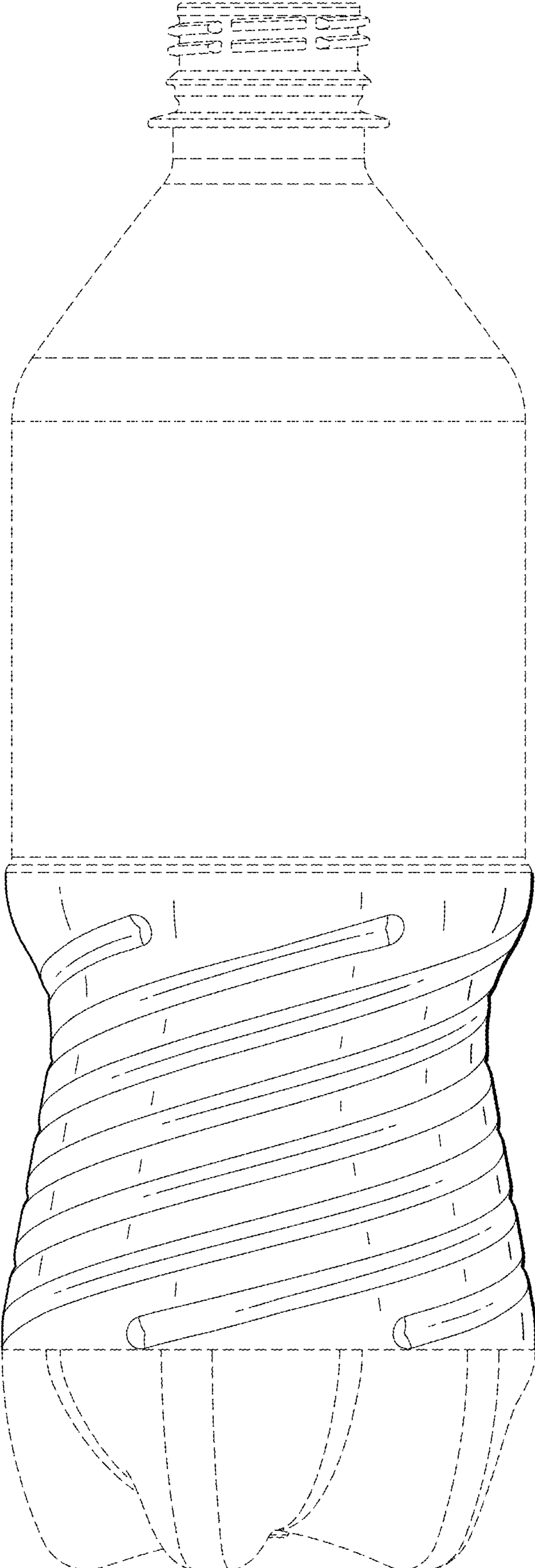


FIG. 4

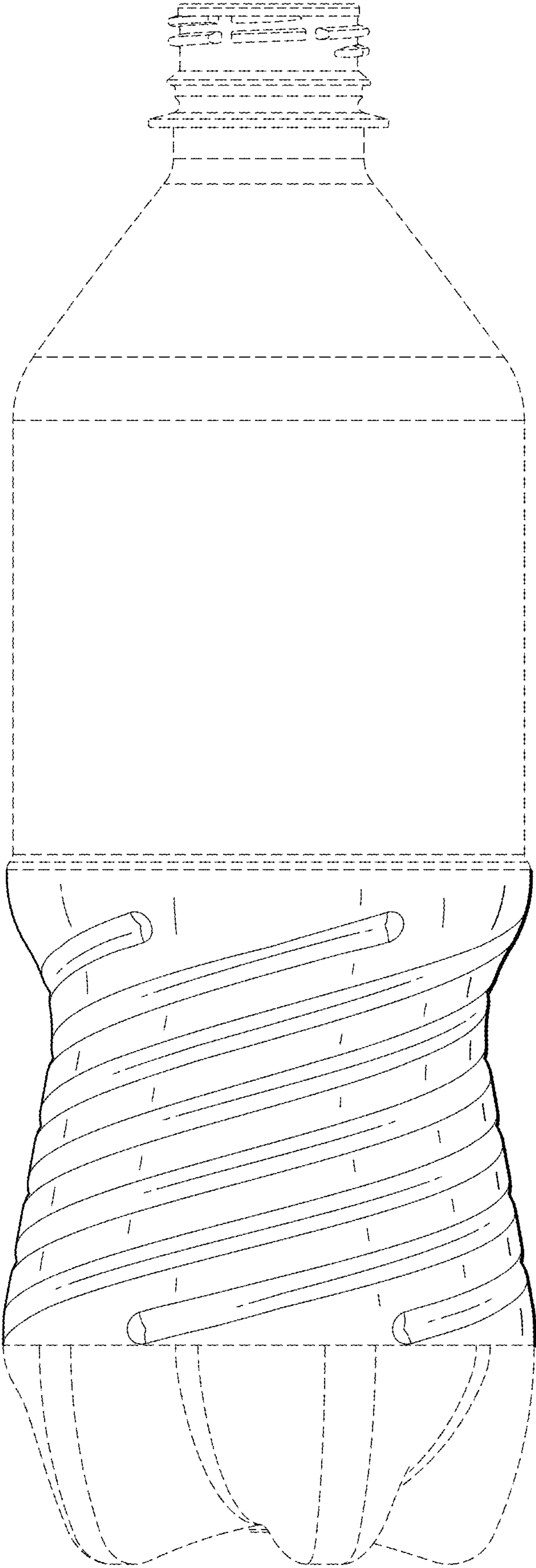


FIG. 5

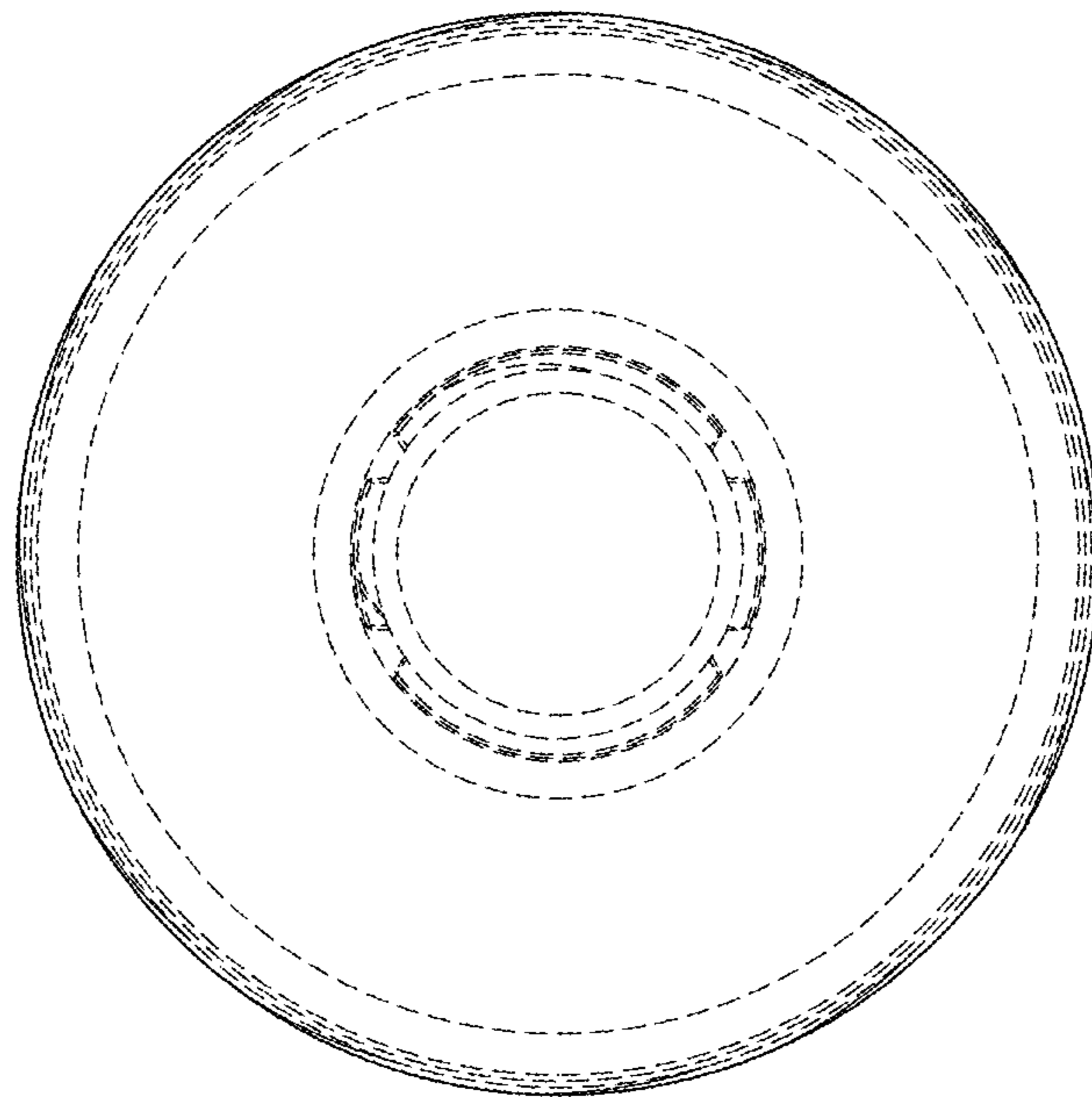


FIG. 6

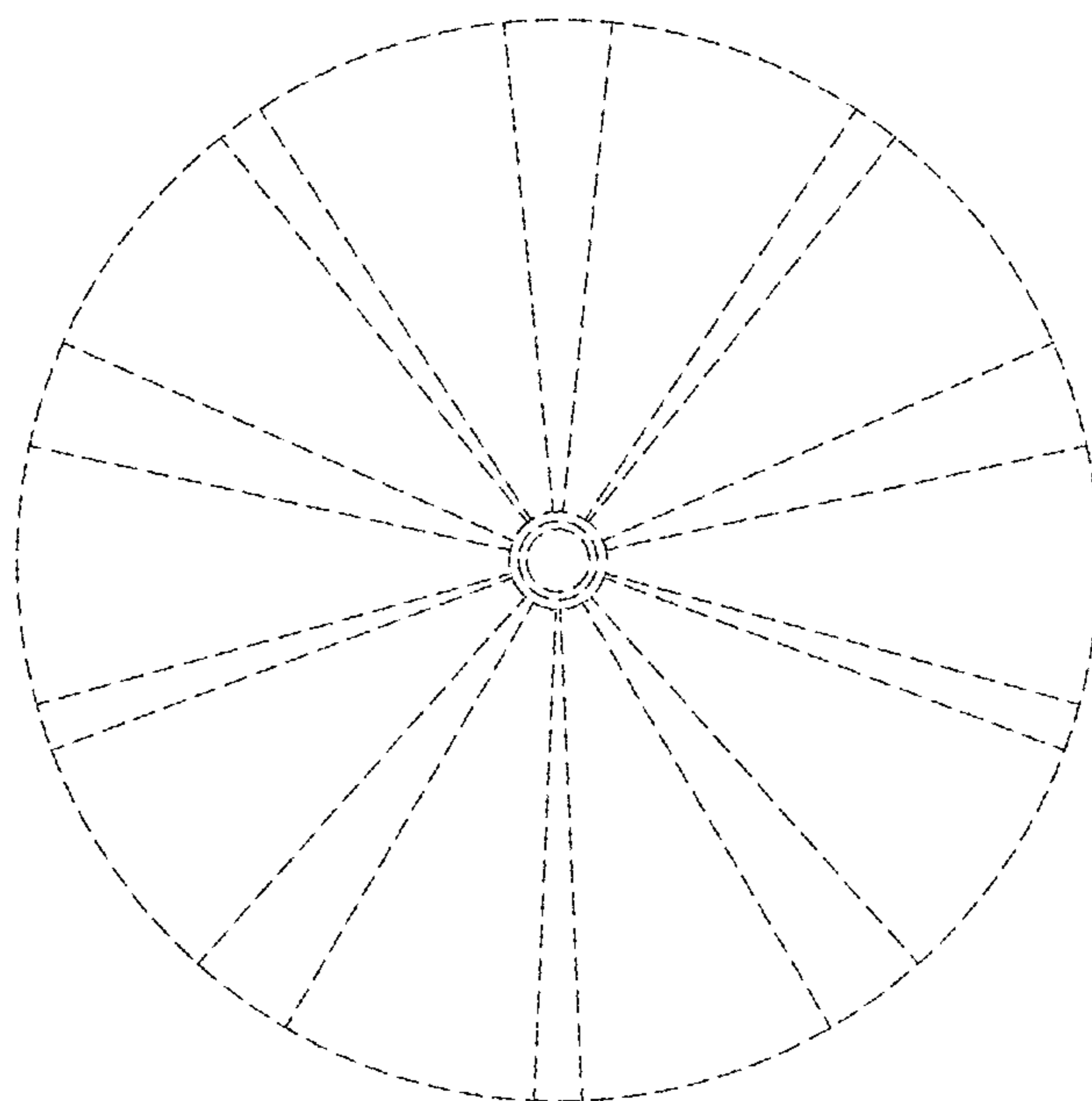


FIG. 7