



US0D1042137S

(12) **United States Design Patent** (10) **Patent No.:** **US D1,042,137 S**  
**Ober et al.** (45) **Date of Patent:** **\*\* Sep. 17, 2024**

(54) **CONTAINER CAP**  
(71) Applicant: **Mary Kay Inc.**, Addison, TX (US)  
(72) Inventors: **Priscilla Ober**, Addison, TX (US);  
**Jenny DeMarco Staab**, Addison, TX  
(US); **Iwona Waluk**, Addison, TX (US)

D337,272 S 7/1993 Joo  
D342,897 S 1/1994 Cochrane  
D342,901 S 1/1994 Joo  
D372,199 S 7/1996 Lathrop et al.  
D375,052 S 10/1996 Lathrop et al.  
D376,320 S 12/1996 Lathrop et al.

(Continued)

(73) Assignee: **MARY KAY INC.**, Addison, TX (US)  
(\*\*) Term: **15 Years**

FOREIGN PATENT DOCUMENTS

CN 201230185860 8/2012  
CN 201630105731 8/2016

(Continued)

(21) Appl. No.: **29/687,726**  
(22) Filed: **Apr. 15, 2019**  
(51) **LOC (14) Cl.** ..... **09-07**  
(52) **U.S. Cl.**  
USPC ..... **D9/449; D9/503**  
(58) **Field of Classification Search**  
USPC ..... D9/434, 435, 438, 444, 445, 446, 449,  
D9/454, 503, 504; D28/73, 78, 82  
CPC ..... B65D 11/16; B65D 5/0085; B65D 5/205;  
B65D 5/40; B65D 5/64; B65D 5/643;  
B65D 5/66; B65D 5/6623; B65D 5/6638;  
B65D 5/6652; A47J 47/02  
See application file for complete search history.

Primary Examiner — Leanne Was-Englehart  
(74) Attorney, Agent, or Firm — NORTON ROSE  
FULBRIGHT US LLP

(57) **CLAIM**

The ornamental design for a container cap, as shown and described.

**DESCRIPTION**

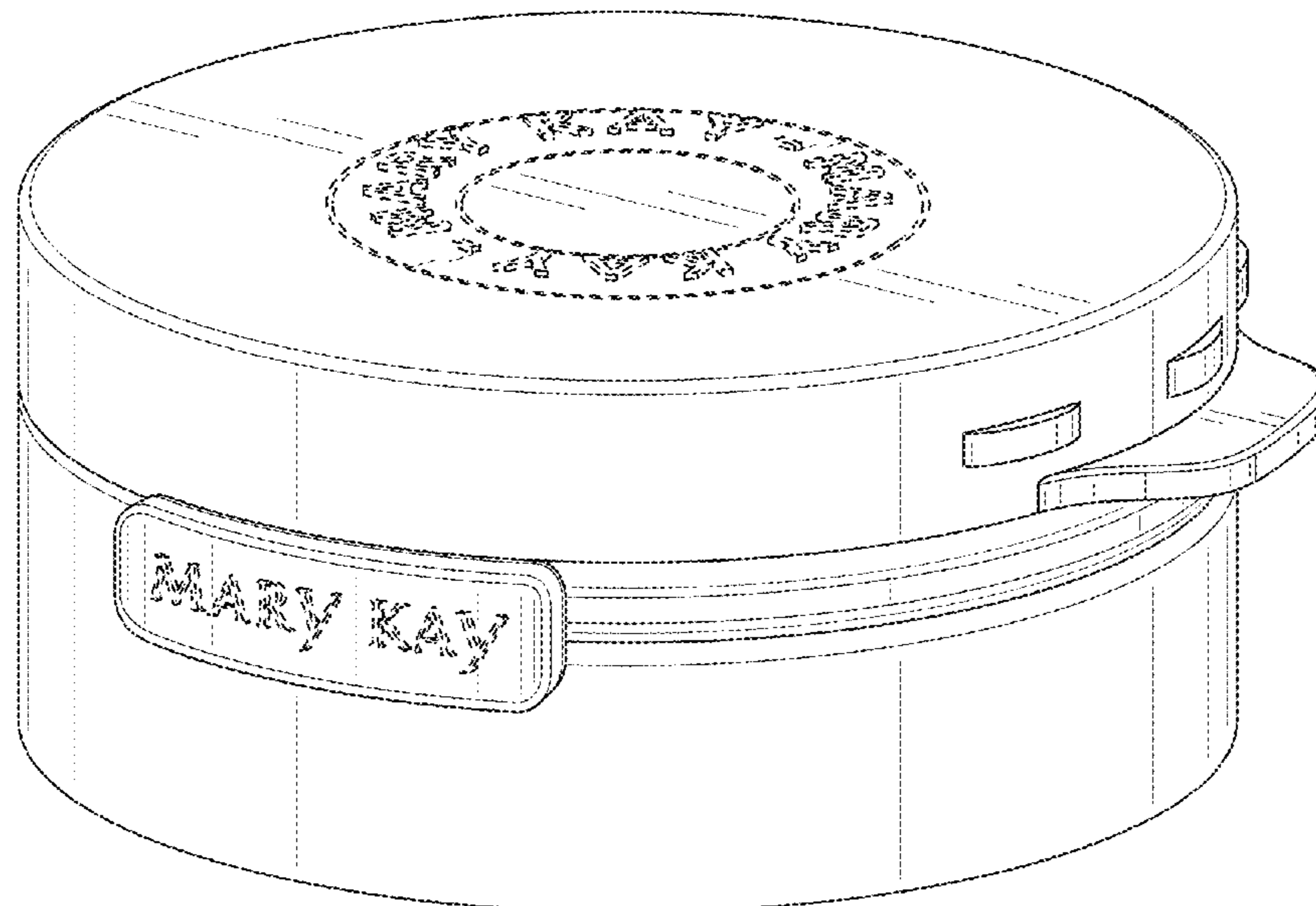
FIG. 1 is a top perspective view of a container cap, with the circle lines on the top surface of the cap and the “Mary Kay” logos illustrated in dashed lines;  
FIG. 2 is a front view of the container cap shown in FIG. 1;  
FIG. 3 is a back view of the container cap shown in FIG. 1;  
FIG. 4 is a left side view of the container cap shown in FIG. 1;  
FIG. 5 is a right side view of the container cap shown in FIG. 1;  
FIG. 6 is a top view of the container cap shown in FIG. 1; and,  
FIG. 7 is a bottom view of the container cap shown in FIG. 1.  
The dashed lines in FIGS. 1-7 are included for the purpose of illustrating portions of the container cap that form no part of the claimed design.

(56) **References Cited**

U.S. PATENT DOCUMENTS

D10,751 S \* 7/1878 Ziegler ..... D9/503  
D216,552 S \* 2/1970 Curry et al. .... D9/503  
D239,698 S 4/1976 Utley  
D256,331 S 8/1980 Gindek et al.  
D268,907 S 5/1983 Sledge  
D274,848 S 7/1984 Chevassus  
D280,710 S 8/1985 Skylvik  
D282,896 S 3/1986 Conti et al.  
D292,882 S \* 11/1987 Gross ..... D9/449  
D295,261 S 4/1988 Wetter  
D325,343 S 4/1992 Pisar  
D329,200 S 9/1992 Collins

**1 Claim, 7 Drawing Sheets**



(56)

References Cited

U.S. PATENT DOCUMENTS

D405,699 S 2/1999 Chae  
 D406,770 S 3/1999 Rosen et al.  
 D422,218 S 4/2000 Ohchi et al.  
 D433,944 S 11/2000 Bernard  
 D436,317 S 1/2001 Jones et al.  
 D445,690 S 7/2001 Ekkert  
 D446,456 S 8/2001 Adachi et al.  
 D446,728 S 8/2001 Bakic  
 D449,530 S 10/2001 Sadeghi et al.  
 D449,990 S 11/2001 Odet et al.  
 D467,805 S 12/2002 Restrepo  
 D474,107 S 5/2003 Osborne  
 D476,893 S 7/2003 Pinnavaia  
 D477,225 S 7/2003 Pinnavaia  
 D481,830 S 11/2003 Murata  
 D483,273 S 12/2003 Lloyd  
 D485,183 S 1/2004 Lerolle  
 D489,008 S 4/2004 Giovanni  
 D490,322 S 5/2004 Giovanni  
 D490,323 S 5/2004 Giovanni  
 D491,066 S 6/2004 Le Goff  
 D493,369 S 7/2004 Murphy  
 D498,423 S 11/2004 Kostow  
 D510,524 S \* 10/2005 Houk ..... D9/503  
 D512,914 S 12/2005 Moretti  
 D515,426 S \* 2/2006 Pace ..... D9/504  
 D515,928 S \* 2/2006 Pace ..... D9/504  
 D527,633 S 9/2006 Sull et al.  
 D535,880 S 1/2007 Penfold et al.  
 D538,162 S 3/2007 Smith  
 D539,161 S 3/2007 Cornet et al.  
 D539,655 S 4/2007 Kipperman et al.  
 D544,508 S 6/2007 Beno et al.  
 D545,209 S 6/2007 Batliner  
 D547,652 S 7/2007 Kerman et al.  
 D554,503 S 11/2007 Kerman et al.  
 D554,518 S 11/2007 Cornet et al.  
 D554,519 S 11/2007 Varlet  
 D554,993 S 11/2007 Kerman et al.  
 D555,478 S 11/2007 Miller et al.  
 D563,783 S 3/2008 Fily et al.  
 D569,254 S 5/2008 Moretti  
 D576,877 S 9/2008 Alcamo et al.  
 D577,289 S 9/2008 Moretti  
 D581,279 S 11/2008 Oates  
 D581,287 S 11/2008 Tran et al.  
 D584,152 S 1/2009 VerWeyst et al.  
 D584,613 S 1/2009 Yan et al.  
 D593,414 S 6/2009 Hunter  
 D595,136 S 6/2009 Canamasas Puigbo  
 D598,293 S 8/2009 Liu et al.  
 D603,266 S 11/2009 Dibnah et al.  
 D605,523 S 12/2009 Dibnah et al.  
 D607,726 S 1/2010 Wisniewski  
 D624,430 S 9/2010 Guarinoni  
 D630,943 S 1/2011 Pontes  
 D632,583 S 2/2011 Eisenberger et al.  
 D640,569 S 6/2011 Alongi et al.  
 D642,057 S 7/2011 Reed et al.  
 D644,337 S \* 8/2011 Belfance ..... D24/224  
 D644,739 S \* 9/2011 Belfance ..... D24/224  
 D644,740 S \* 9/2011 John ..... D24/224  
 D645,747 S 9/2011 Yu  
 D646,578 S 10/2011 Marais et al.  
 D649,055 S 11/2011 Fracasso  
 D655,172 S 3/2012 Brooks et al.  
 D664,035 S \* 7/2012 Hu ..... D9/454  
 D666,912 S 9/2012 Kawai  
 D673,852 S 1/2013 Wood et al.  
 D678,770 S 3/2013 Kawamura

D696,120 S 12/2013 You  
 D707,364 S 6/2014 Spencer  
 D711,239 S 8/2014 Julier  
 D711,250 S \* 8/2014 Henriksson ..... D9/504  
 D715,150 S 10/2014 Fedewa et al.  
 D715,507 S \* 10/2014 van Pruysen ..... D32/53  
 D722,267 S 2/2015 Miranda De Araujo et al.  
 D722,273 S 2/2015 Ivie  
 D728,372 S 5/2015 Behar et al.  
 D729,067 S 5/2015 Behar et al.  
 D741,035 S \* 10/2015 van Pruysen ..... D32/53  
 D742,241 S 11/2015 Shell-Schnitzer  
 D755,051 S 5/2016 Otani et al.  
 D763,073 S 8/2016 Romero Salido  
 D769,120 S 10/2016 Albuquerque et al.  
 D772,066 S 11/2016 Phipps et al.  
 D775,966 S 1/2017 Jeong  
 D779,326 S 2/2017 Lee  
 D784,138 S 4/2017 Kim et al.  
 D785,454 S 5/2017 Dhillon  
 D789,794 S 6/2017 Kim  
 D793,235 S \* 8/2017 Bois ..... D9/503  
 D799,967 S 10/2017 Wade  
 D800,501 S 10/2017 Rummel et al.  
 D802,422 S 11/2017 Laib et al.  
 D803,687 S 11/2017 Fernandez et al.  
 D806,546 S 1/2018 Lloyd et al.  
 D808,809 S 1/2018 Krafft  
 D812,479 S 3/2018 Li  
 D813,680 S 3/2018 Bryant et al.  
 D813,681 S 3/2018 Burns et al.  
 D813,682 S 3/2018 Mettler et al.  
 D819,456 S \* 6/2018 Gómez Martín ..... D9/503  
 D821,159 S \* 6/2018 Wahl ..... D9/503  
 D885,895 S \* 6/2020 Berroa García ..... D9/449  
 D885,919 S \* 6/2020 Beardsall ..... D9/503  
 D896,570 S \* 9/2020 Berroa García ..... D7/392.1  
 D904,194 S \* 12/2020 Choi ..... D9/503  
 D933,300 S \* 10/2021 Lee ..... D28/82  
 D933,301 S \* 10/2021 Lee ..... D28/82  
 D945,883 S \* 3/2022 Griffin ..... D9/503  
 D990,056 S \* 6/2023 Spitzer ..... D28/82  
 D996,212 S \* 8/2023 Zanon ..... D9/449  
 D996,213 S \* 8/2023 Zanon ..... D9/449  
 D999,639 S \* 9/2023 Chen ..... D9/503  
 2008/0217337 A1 \* 9/2008 Rault ..... B65D 55/024  
 220/796  
 2009/0255950 A1 \* 10/2009 Simkins ..... A47K 10/3818  
 220/254.1  
 2010/0224646 A1 \* 9/2010 Incorvia ..... B65D 43/162  
 220/837  
 2019/0090610 A1 \* 3/2019 Lee ..... A45D 33/006  
 2020/0397120 A1 \* 12/2020 Jeong ..... A45D 34/00  
 2020/0397121 A1 \* 12/2020 Lee ..... A45D 33/006

FOREIGN PATENT DOCUMENTS

DE 402014001704-0001 6/2019  
 DE 402014001704-0002 6/2019  
 DE 402014001704-0003 6/2019  
 DE 402014001704-0005 6/2019  
 DE 402014001704-0006 6/2019  
 DE 402014001704-0008 6/2019  
 EM 005250107-0001 \* 5/2018  
 EM 004724003-0005 \* 9/2018  
 EM 004724003-0004 \* 3/2019  
 EM 007021456-0001 \* 1/2020  
 GB 9007021456-0001 \* 10/2019  
 KR 30-0547858 12/2009  
 PH 3-2006-48-0001 \* 1/2007  
 WO 00094496-0036 11/2016

\* cited by examiner

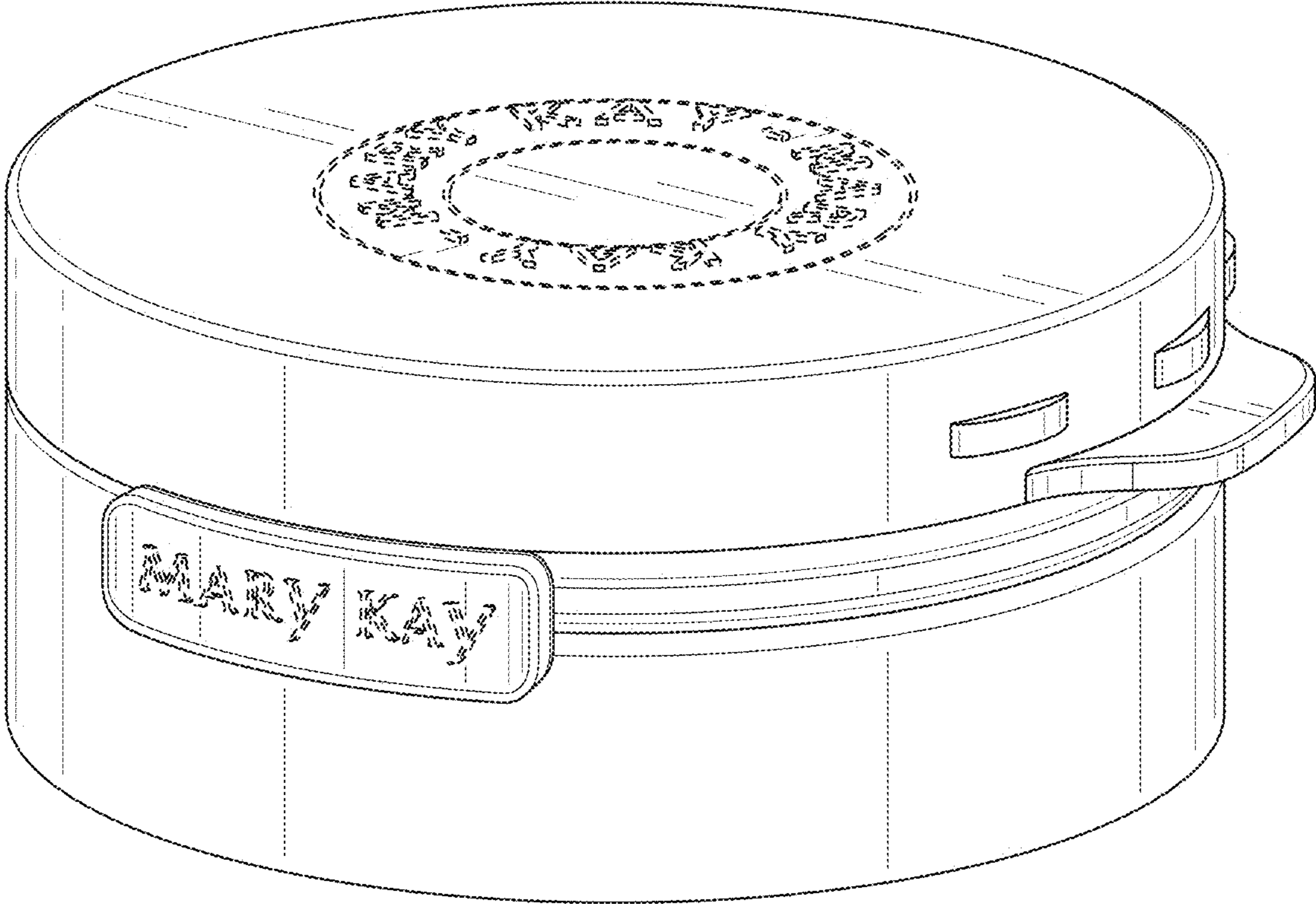


FIG. 1

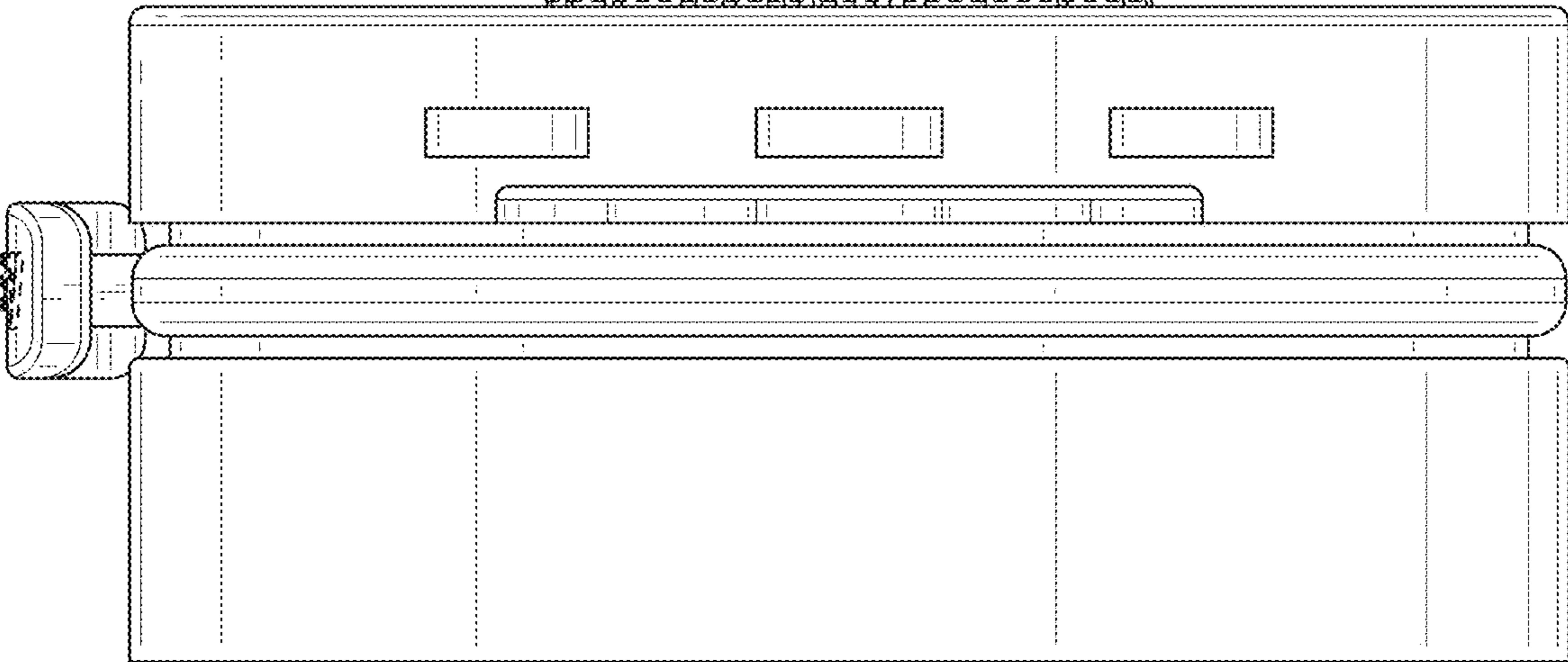


FIG. 2

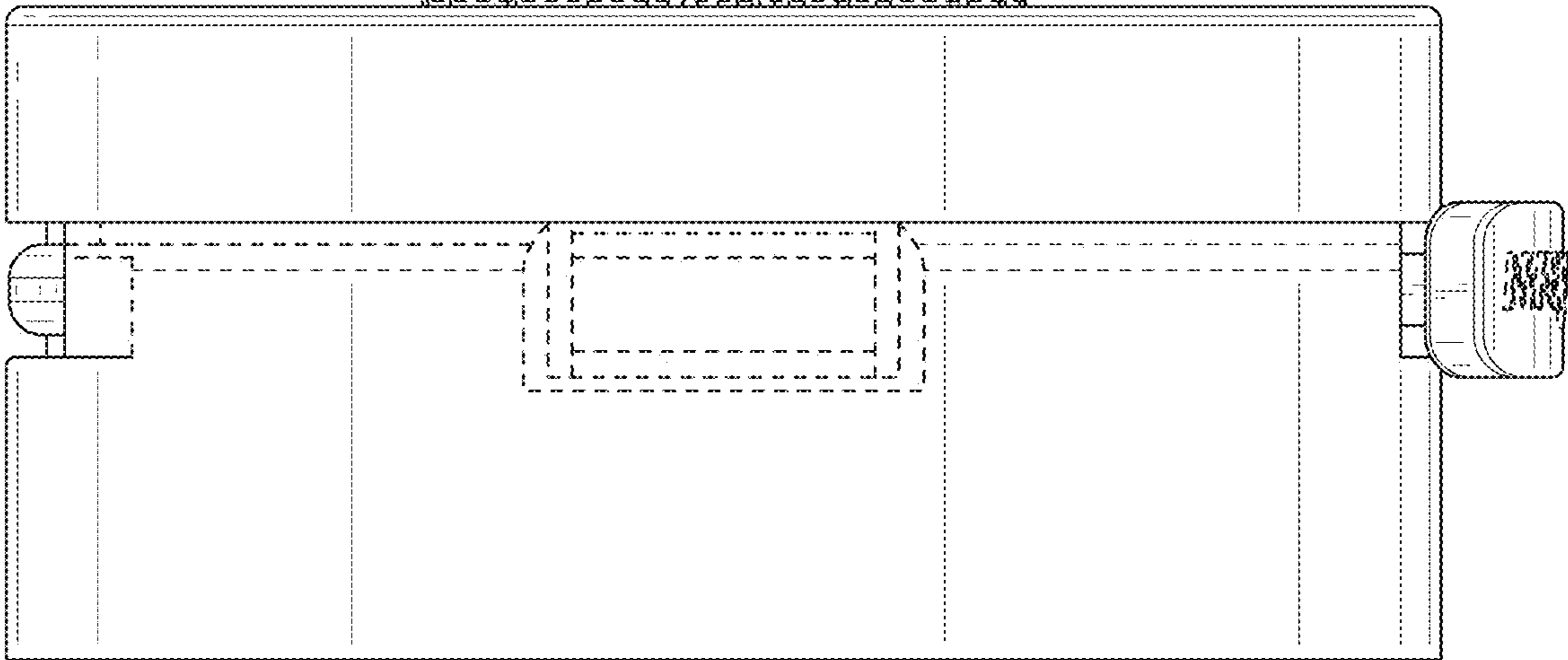


FIG. 3

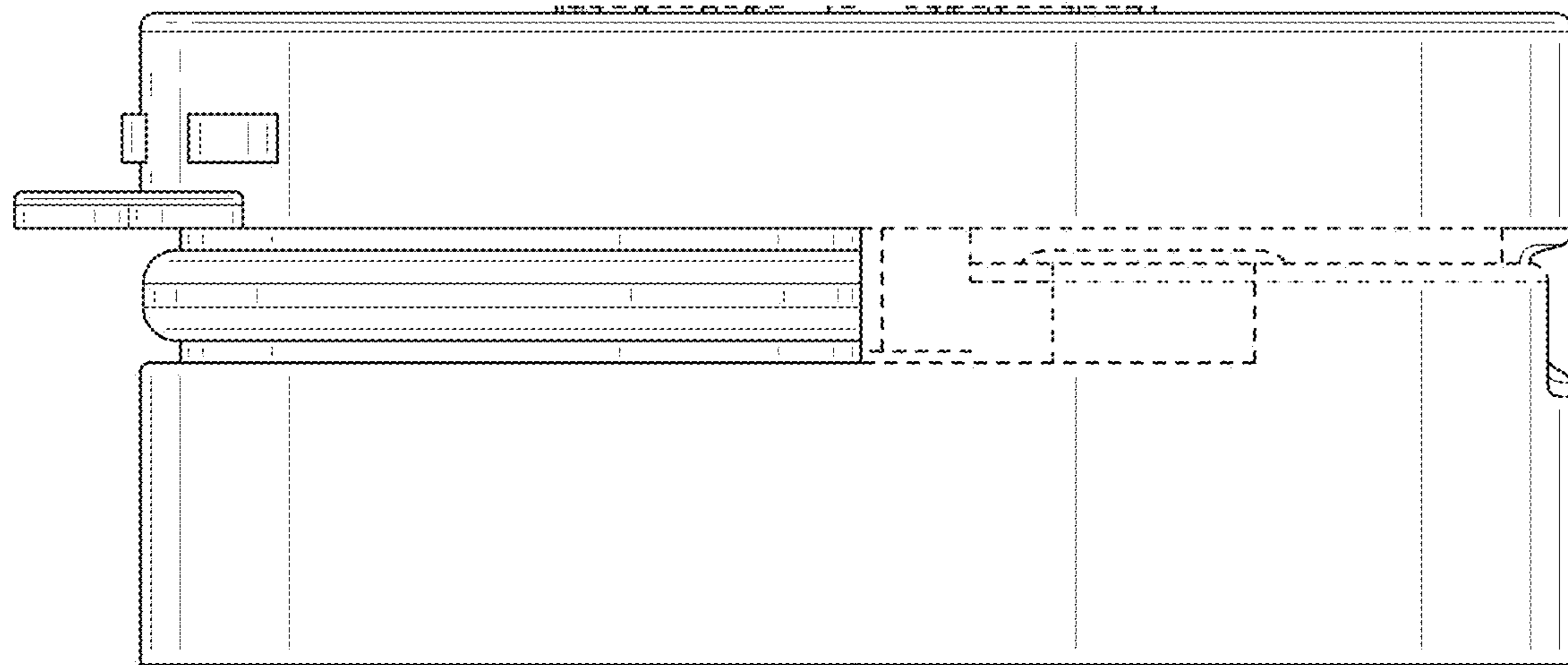


FIG. 4

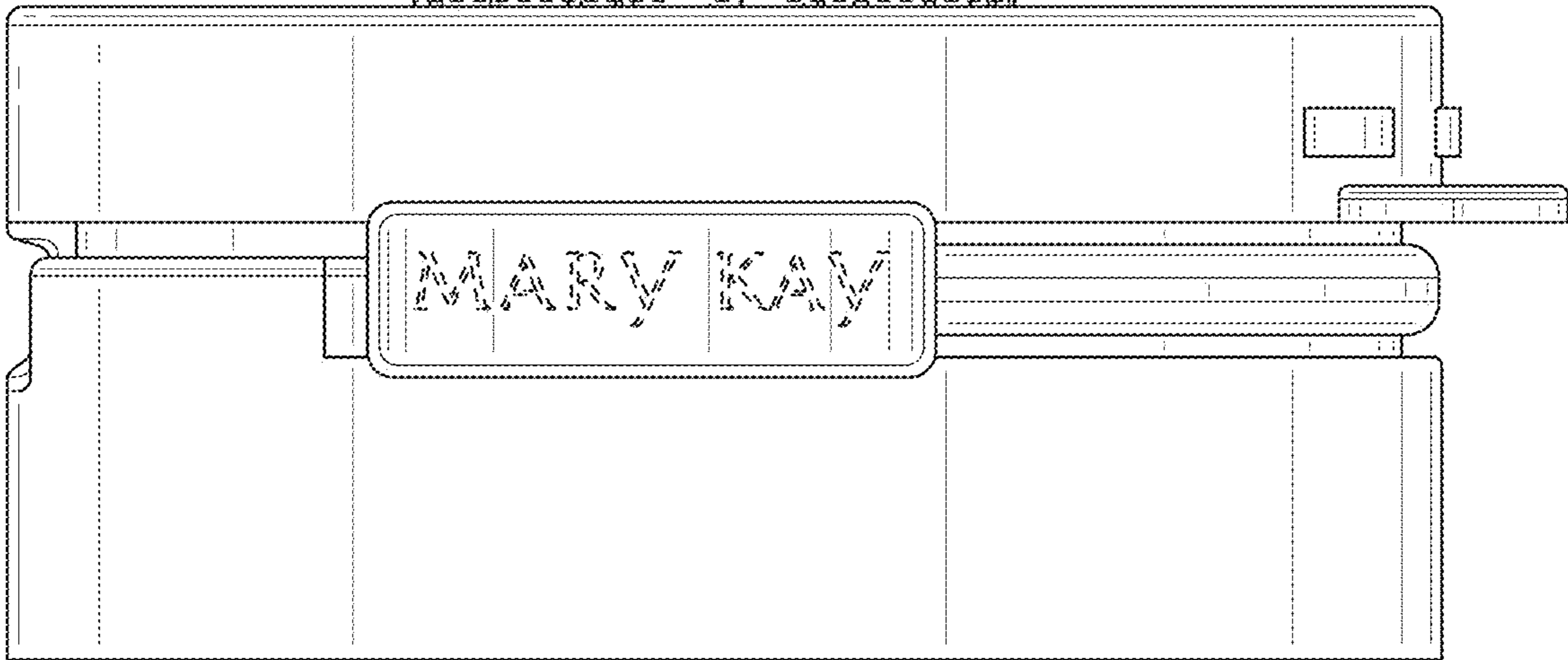


FIG. 5

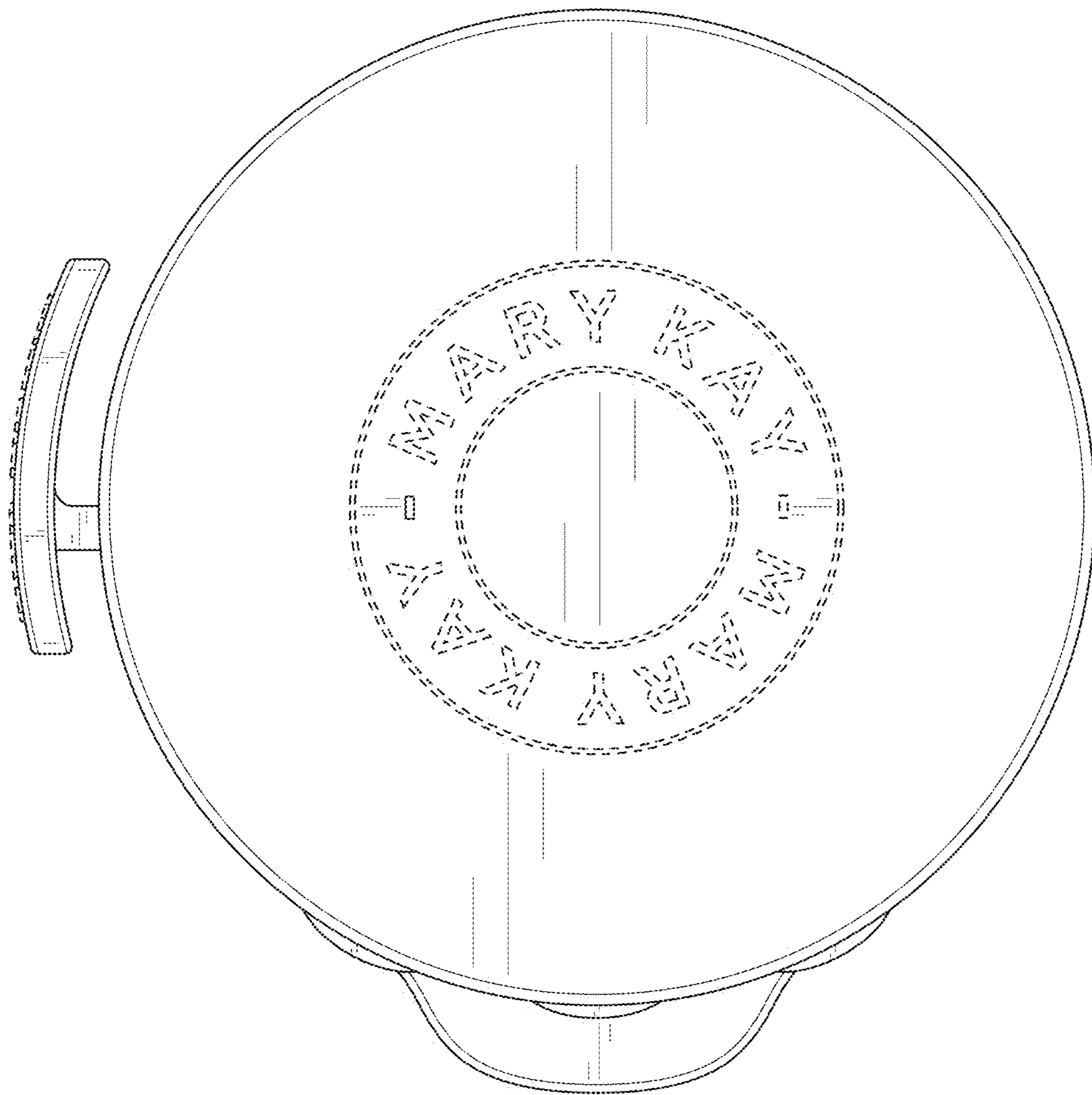


FIG. 6



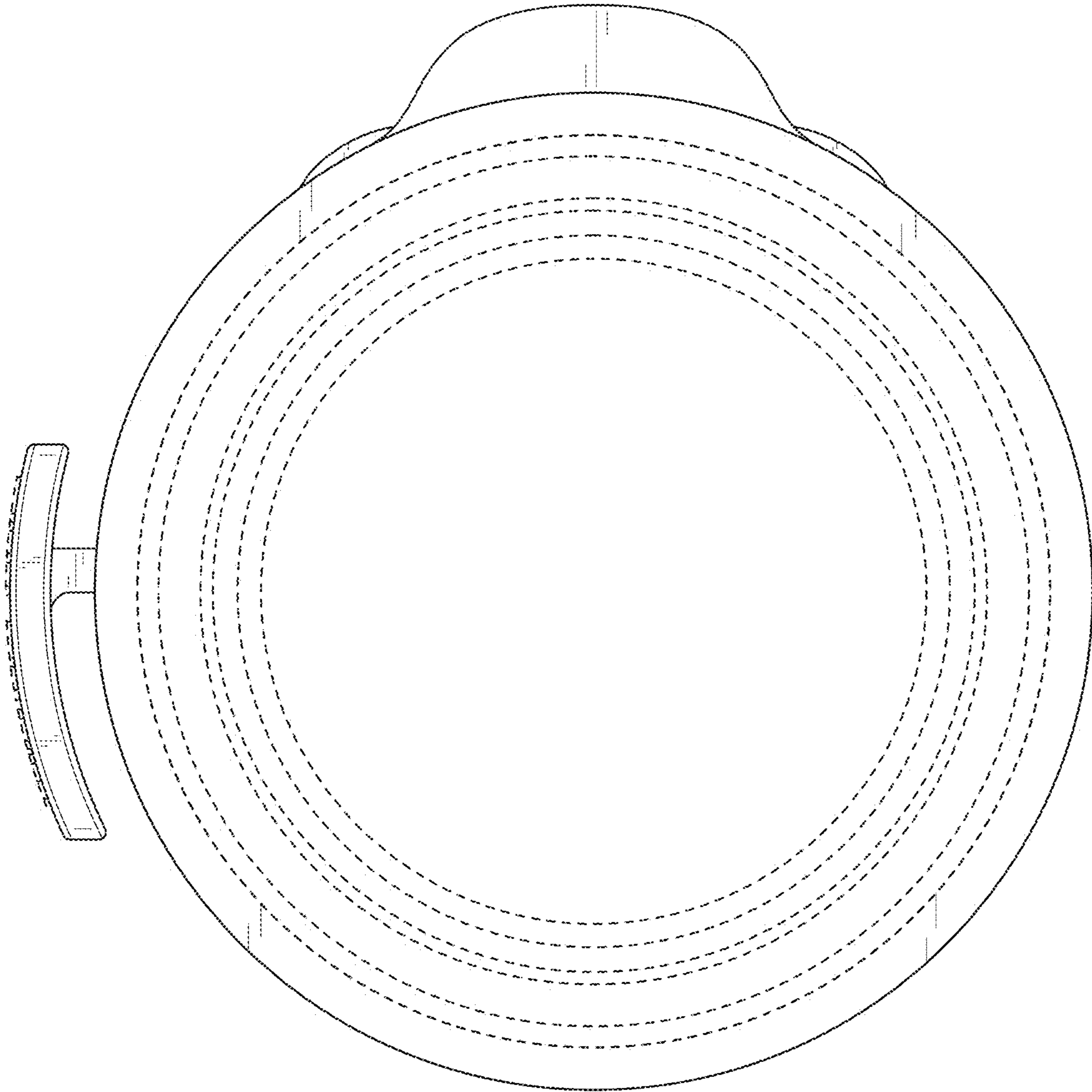


FIG. 7