



US0D1042129S

(12) **United States Design Patent** (10) **Patent No.:** **US D1,042,129 S**
Ray et al. (45) **Date of Patent:** **** Sep. 17, 2024**

(54) **FILLING APPARATUS FOR A CONTAINER**

(71) Applicant: **CRAFT STANDARD ENTERPRISES, INC.**, Fayetteville, AR (US)

(72) Inventors: **William Ray**, Fayetteville, AR (US); **Don Ray**, Fayetteville, AR (US); **Benjamin Simon**, Dallas, TX (US)

(73) Assignee: **CRAFT STANDARD ENTERPRISES, INC.**, Fayetteville, AR (US)

(**) Term: **15 Years**

(21) Appl. No.: **29/788,177**

(22) Filed: **Apr. 2, 2021**

(51) **LOC (14) Cl.** **07-99**

(52) **U.S. Cl.**
USPC **D7/700**

(58) **Field of Classification Search**
USPC D12/202; D7/400, 670, 700; D15/152, D15/150; D23/209; D24/121-123
CPC B67D 1/12; B67D 1/08; B67D 1/1405; A47G 19/00; A47J 31/02; A47J 31/0668; A47J 31/4467

See application file for complete search history.

(56) **References Cited**

U.S. PATENT DOCUMENTS

- D44,751 S * 10/1913 Discher D12/202
- 4,231,876 A * 11/1980 Zimmermann A47J 31/06 D7/700
- D261,413 S * 10/1981 Eddleman D23/209
- D268,588 S * 4/1983 Cubbison D7/700
- D328,405 S * 8/1992 Heiligenstein D7/400
- D341,147 S * 11/1993 Pollak D15/150
- D370,051 S * 5/1996 Samson D23/209
- D555,439 S * 11/2007 Fletcher D15/150
- D671,379 S * 11/2012 Lion D7/700

- D675,482 S * 2/2013 Heggstad D7/400
- D680,827 S * 4/2013 Cetera D7/700
- D695,066 S * 12/2013 Nakajima D7/400
- D697,171 S * 1/2014 Bradford D23/209
- D700,475 S * 3/2014 Avigdor D7/400
- 8,689,987 B2 * 4/2014 Lewis A61J 9/00 215/276
- D712,508 S * 9/2014 Du D23/209
- D738,169 S * 9/2015 Weisenbach D7/700
- D750,677 S * 3/2016 Liao D15/150
- D772,644 S * 11/2016 Kestenbaum D7/400
- D773,544 S * 12/2016 Tseng D15/150
- D800,497 S * 10/2017 Fedorak D7/400

(Continued)

OTHER PUBLICATIONS

Craft Standard Keg Setup Video: Site Visited (Sep. 14, 2023). Available from URL: <https://craftstandard.com/keg-setup-video/>.*

(Continued)

Primary Examiner — Catherine S Posthauer

(74) *Attorney, Agent, or Firm* — Hoffman Warnick LLC

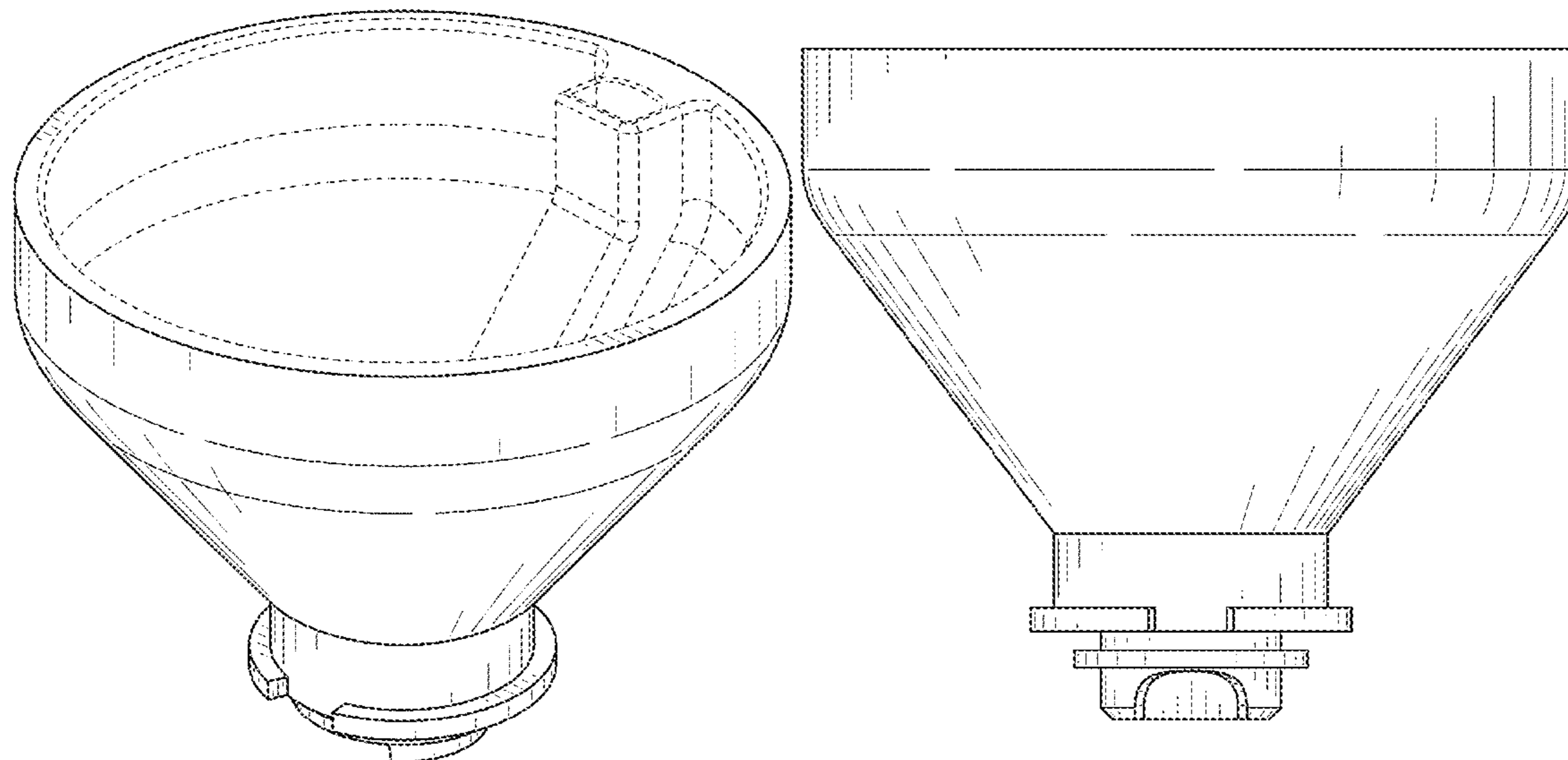
(57) **CLAIM**

The ornamental design for a filling apparatus for a container, as shown and described.

DESCRIPTION

FIG. 1 is a perspective view of a filling apparatus for a container showing the claimed design; FIG. 2 is a front elevation view thereof; FIG. 3 is a rear elevation view thereof; FIG. 4 is a left side view thereof; FIG. 5 is a right side view thereof; FIG. 6 is a top plan view thereof; and, FIG. 7 is a bottom plan view thereof. The evenly broken lines are shown for the purpose of illustrating parts of the article that form no part of the claimed design.

1 Claim, 4 Drawing Sheets



(56)

References Cited

U.S. PATENT DOCUMENTS

D829,065 S * 9/2018 Marantis D7/700
D861,053 S * 9/2019 Tally D15/152
D876,186 S * 2/2020 Marantis D7/700
D883,045 S * 5/2020 Fudge D7/700
D889,216 S * 7/2020 Walbroel D7/670
D957,901 S * 7/2022 Liao D7/700
D978,611 S * 2/2023 Fedorak D7/400
D989,551 S * 6/2023 Sakamoto D7/400
D993,990 S * 8/2023 Easter D7/700
2022/0002138 A1 * 1/2022 Ray B67D 1/1277

OTHER PUBLICATIONS

American Metalcraft Funnell with Built in Strainer: Announced (Jun. 13, 2012; online). Site Visited (Sep. 14, 2023). Available from URL: https://www.webstaurantstore.com/american-metalcraft-913st-2-qt-funnel-with-strainer/124913ST.html?utm_source=google&utm_medium=cpc&utm_campaign=GoogleShopping&gclid=CjwKCAjw3oqoBhAjEiwA_UaLts3jmW79OtMnKdY_Gn35iuD2LD05PFGU4HD_Zp4Xu32ZfZQ7-pmT6BoCAA4QAvD_BwE.*

Craft Standard Keg Spiker: Announced (Apr. 1, 2023; online). Site Visited (Sep. 14, 2023). Available from URL: <https://kegforce.com/craft-standard-keg-spiker/>.*

Polypropylene Vented Funnel: Site Visited (Sep. 14, 2023). Available from URL: <https://www.usplastic.com/catalog/item.aspx?itemid=82018>.*

* cited by examiner

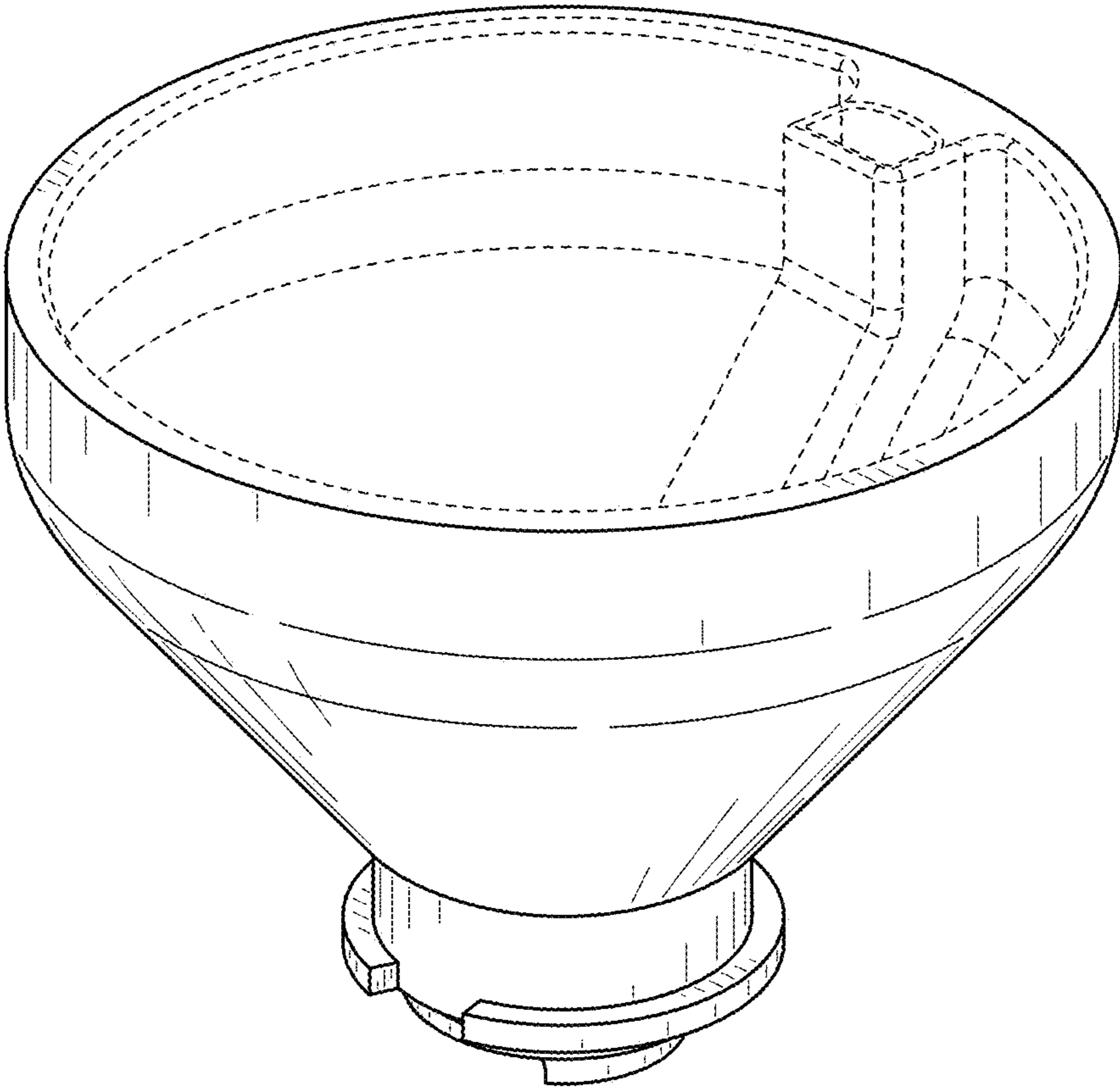


FIG. 1

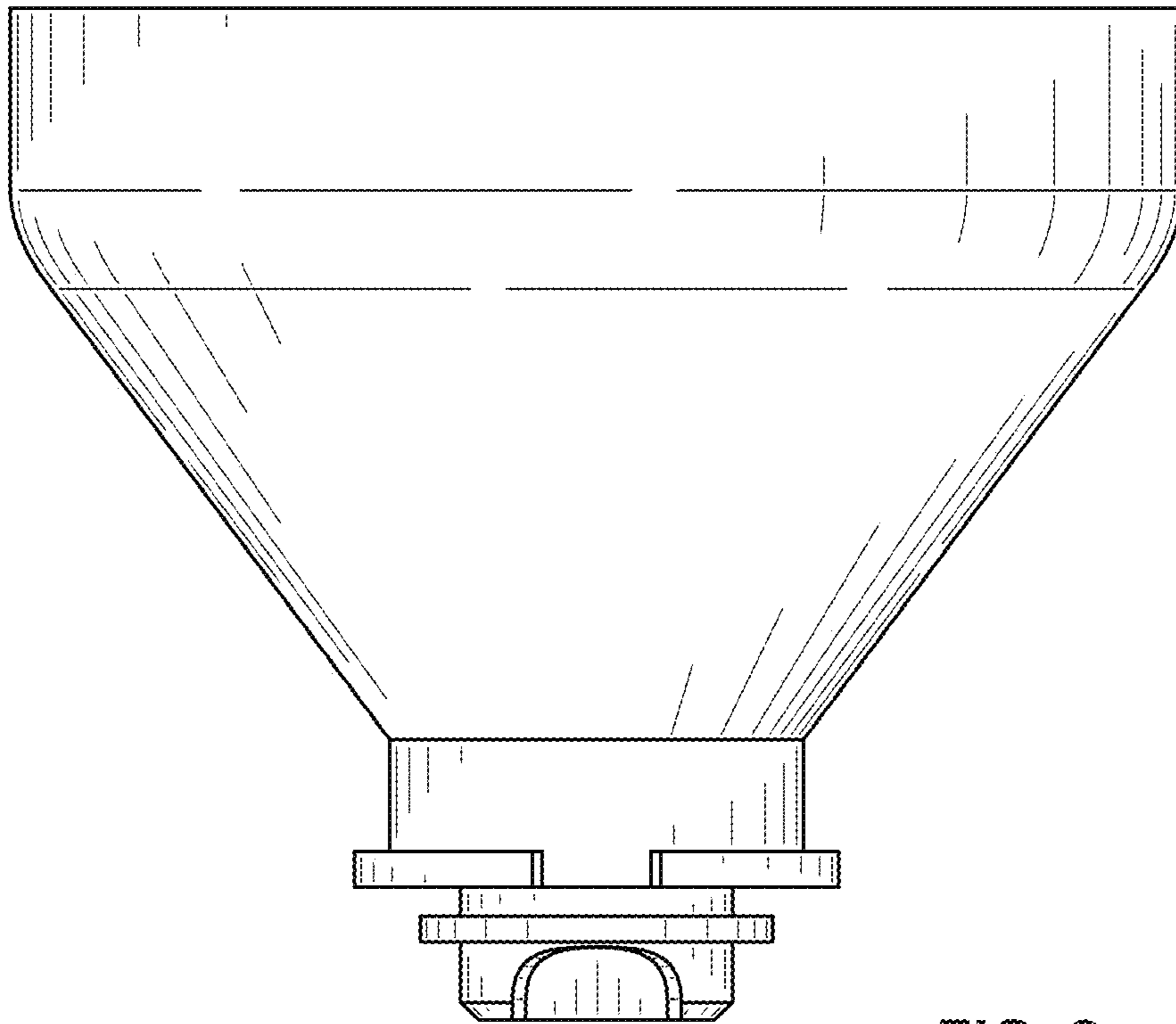


FIG. 2

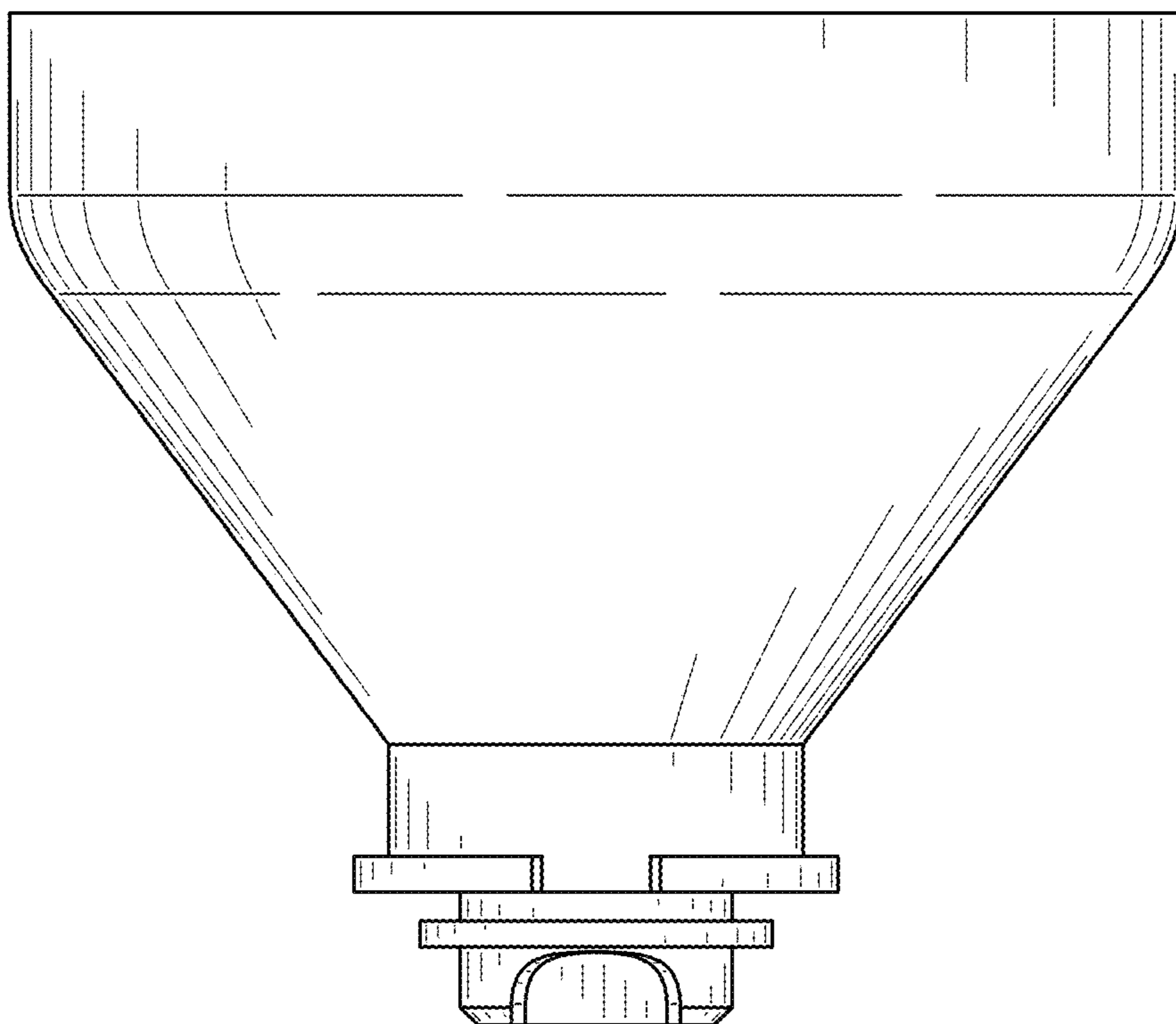


FIG. 3

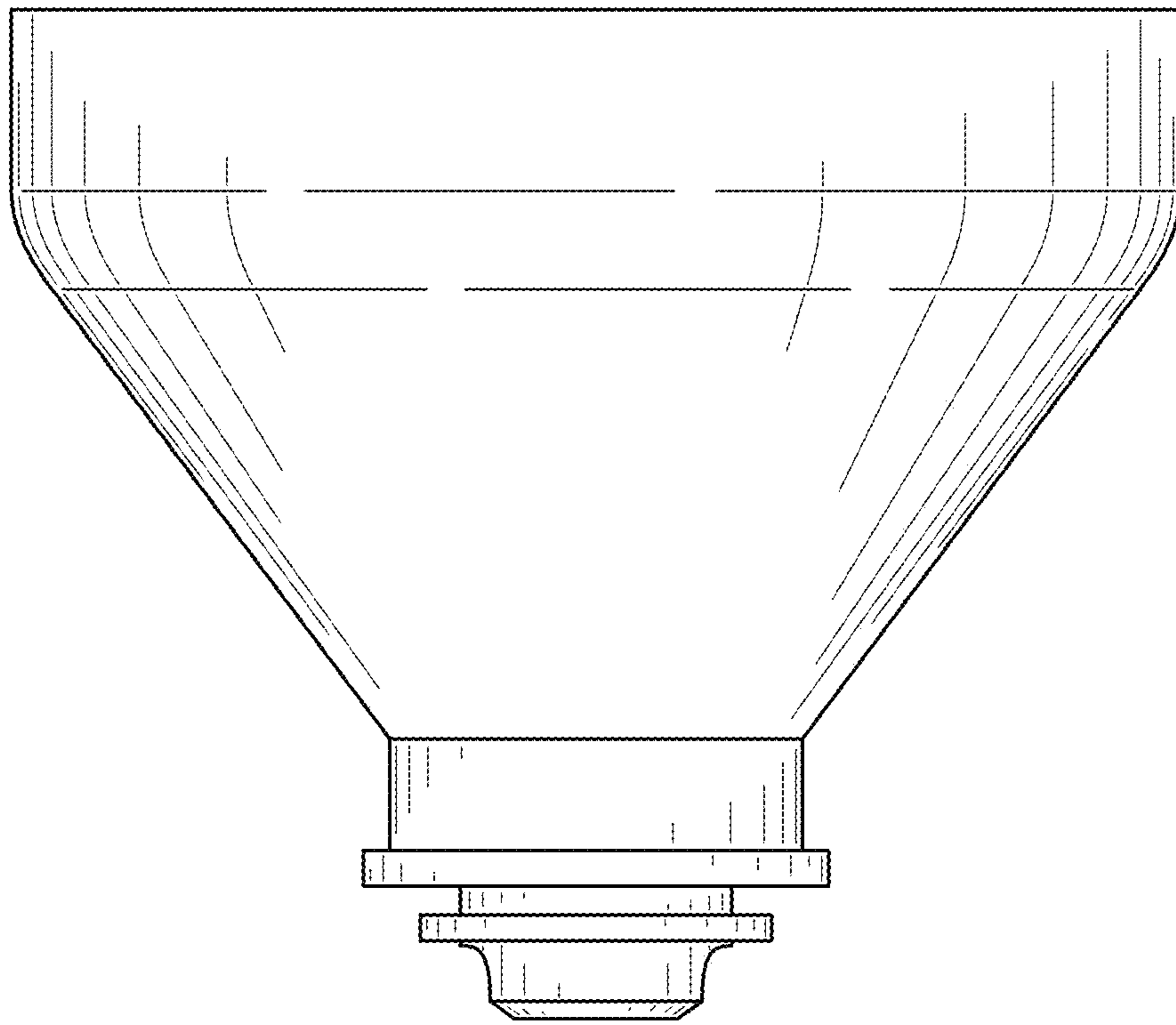


FIG. 4

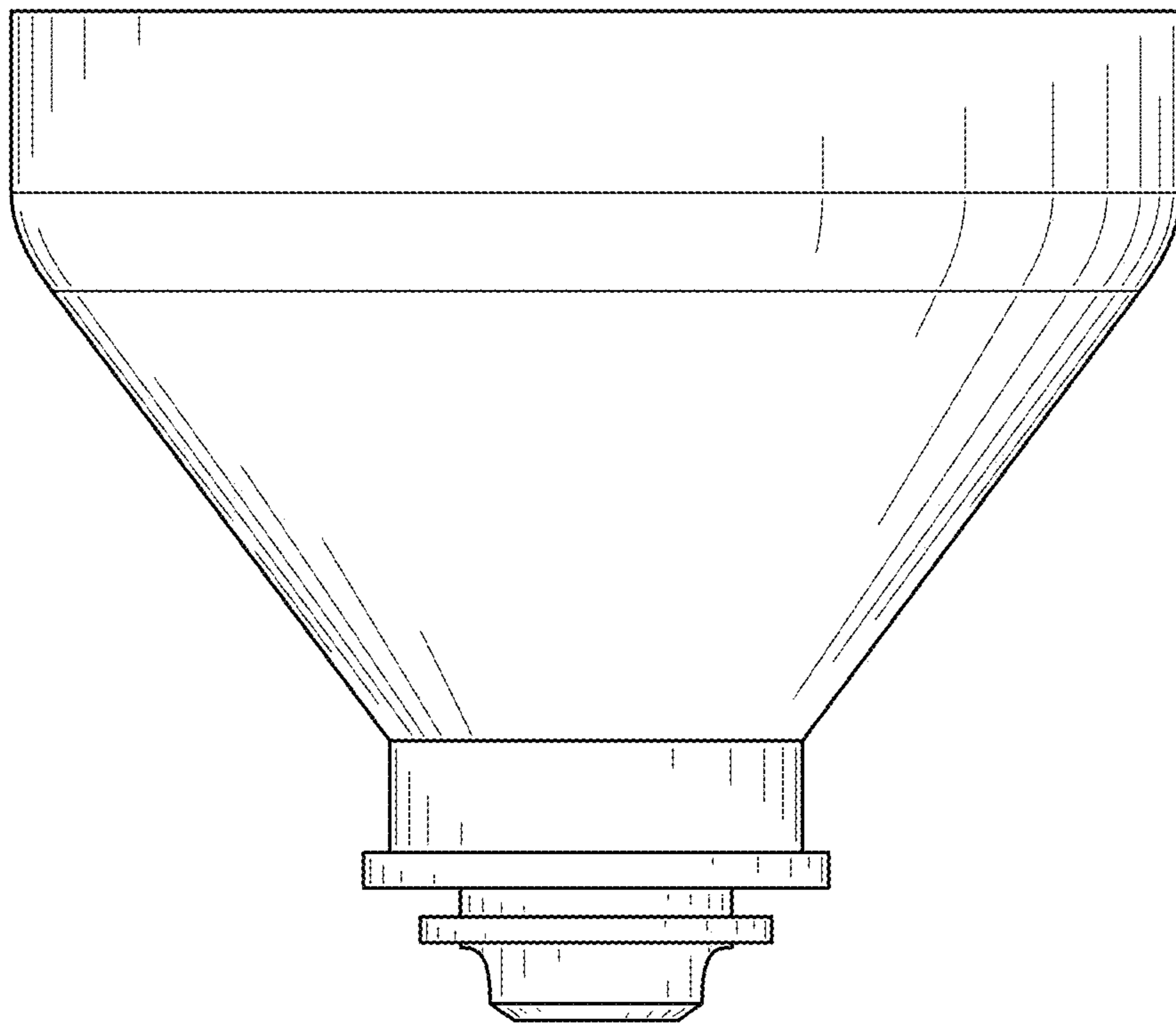


FIG. 5

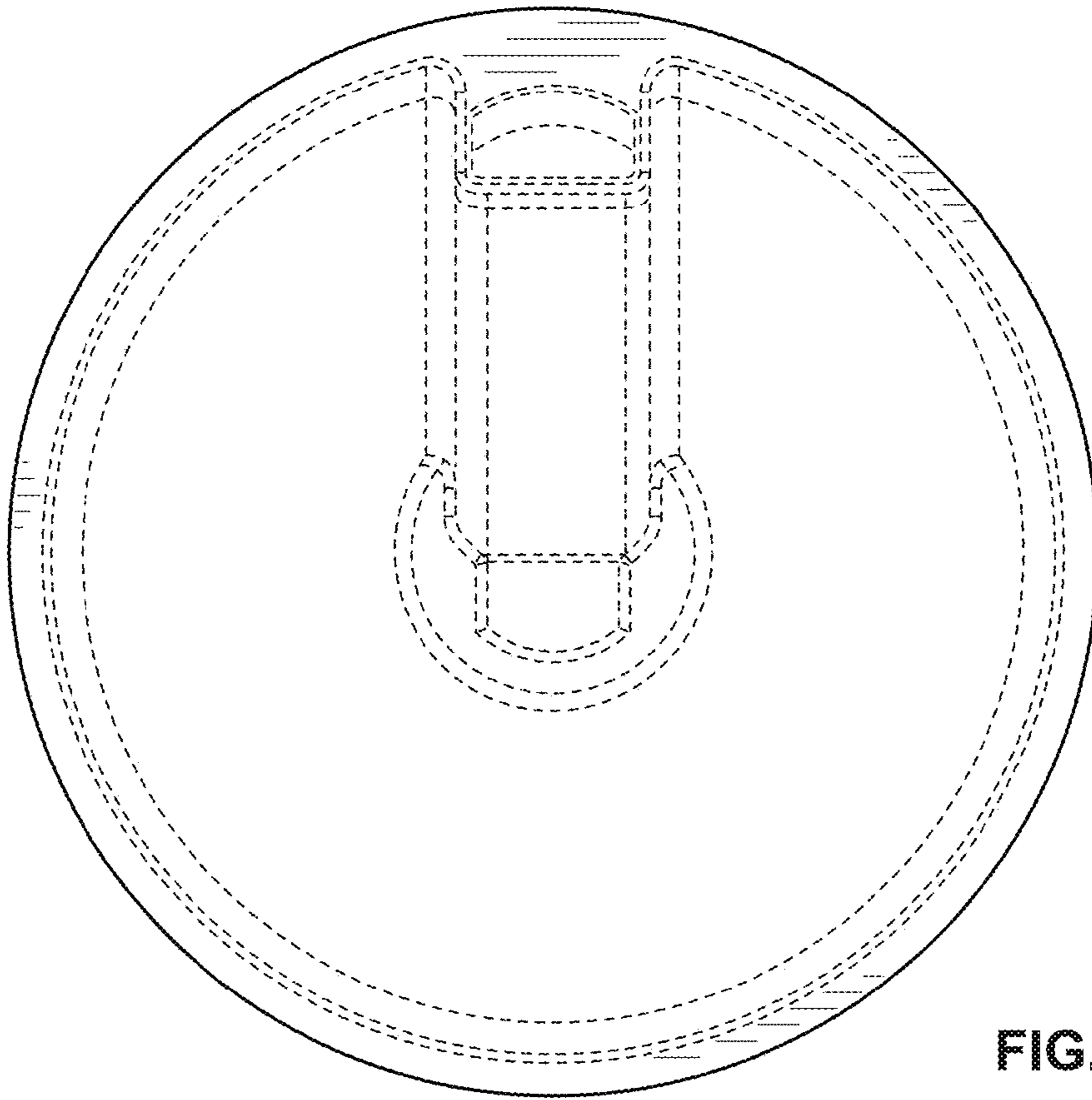


FIG. 6

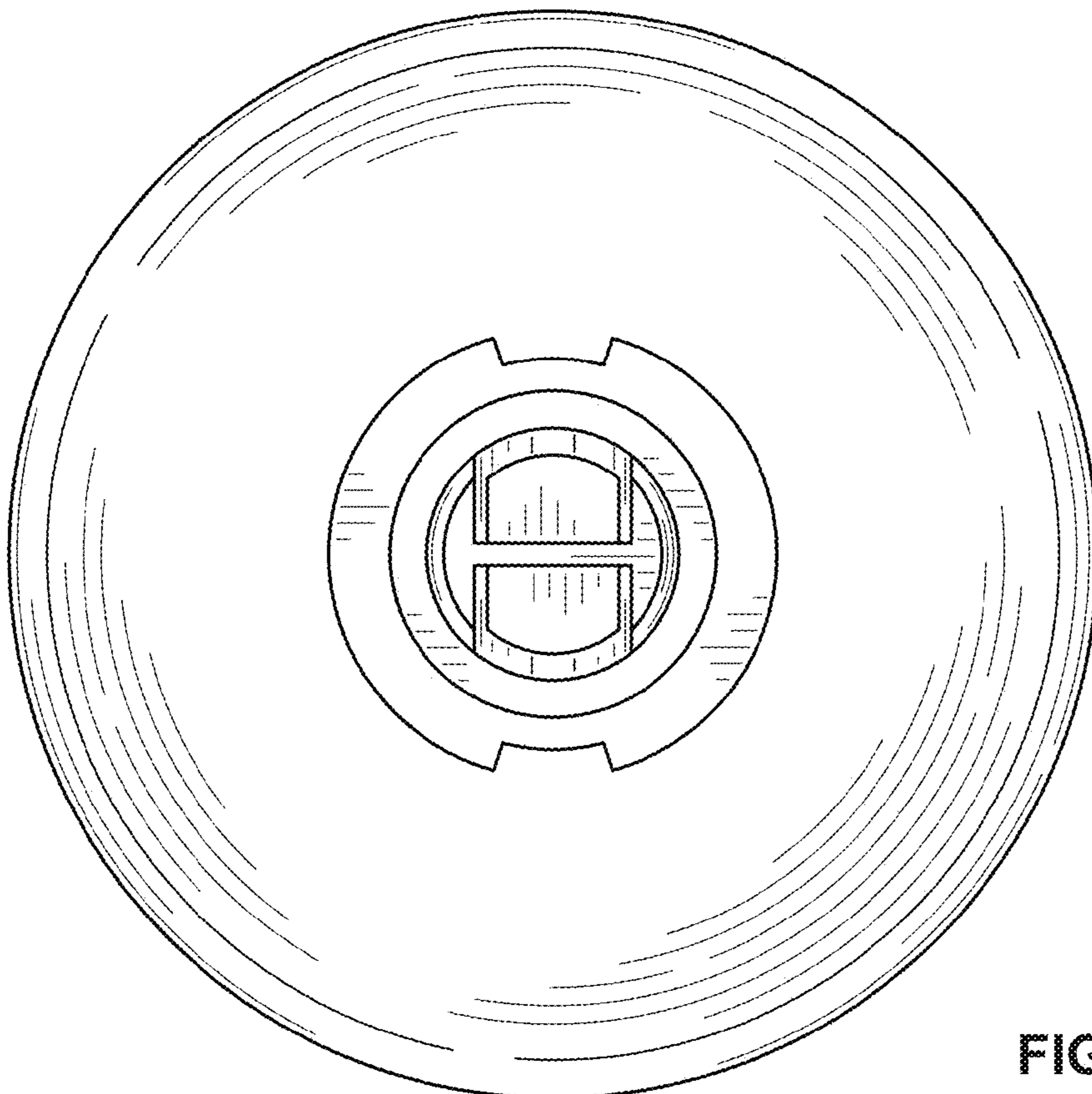


FIG. 7