



US0D1042097S

(12) **United States Design Patent** (10) **Patent No.:** **US D1,042,097 S**
Huang (45) **Date of Patent:** **** Sep. 17, 2024**

(54) **DOUBLE SIDED TOOTHED ZIP TIE**

(71) Applicant: **Xinmiao Huang**, Wenzhou (CN)

(72) Inventor: **Xinmiao Huang**, Wenzhou (CN)

(**) Term: **15 Years**

(21) Appl. No.: **29/908,812**

(22) Filed: **Jan. 16, 2024**

(51) **LOC (14) Cl.** **09-06**

(52) **U.S. Cl.**
USPC **D8/356**

(58) **Field of Classification Search**

USPC ... D8/44, 106, 349, 354, 355, 356, 382, 383
CPC B65D 63/00; B65D 63/10; B65D 63/1018;
B65D 63/1027; B65D 63/1063; B65D
63/1072; B65D 2563/00; B65D 2563/10;
B65D 2563/101; B65D 2563/103; B65D
2563/106; F16B 1/00; F16B 2/26; F16L
3/233; Y10T 24/14; Y10T 24/141; Y10T
24/1498; Y10T 24/15; Y10T 24/45246

See application file for complete search history.

(56) **References Cited**

U.S. PATENT DOCUMENTS

3,837,047 A * 9/1974 Bunnell B65D 63/1072
24/16 PB
D348,213 S * 6/1994 Moliner D8/367
D349,040 S * 7/1994 Moliner D8/367

(Continued)

FOREIGN PATENT DOCUMENTS

CN 207698375 U * 8/2018
CN 111017407 A * 4/2020

(Continued)

OTHER PUBLICATIONS

Cable Zip Ties, posted Mar. 3, 2020 [online], [retrieved Apr. 18, 2024]. Retrieved from internet, <https://www.amazon.com/Hmrope->

Premium-Plastic-Strength-Self-Locking/dp/B085DZMDKH (Year: 2020).*

(Continued)

Primary Examiner — Khawaja Anwar

Assistant Examiner — Taylor O Mortorff

(74) *Attorney, Agent, or Firm* — Jose Cherson Weissbrot

(57) **CLAIM**

The ornamental design for a double sided toothed zip tie, as shown and described.

DESCRIPTION

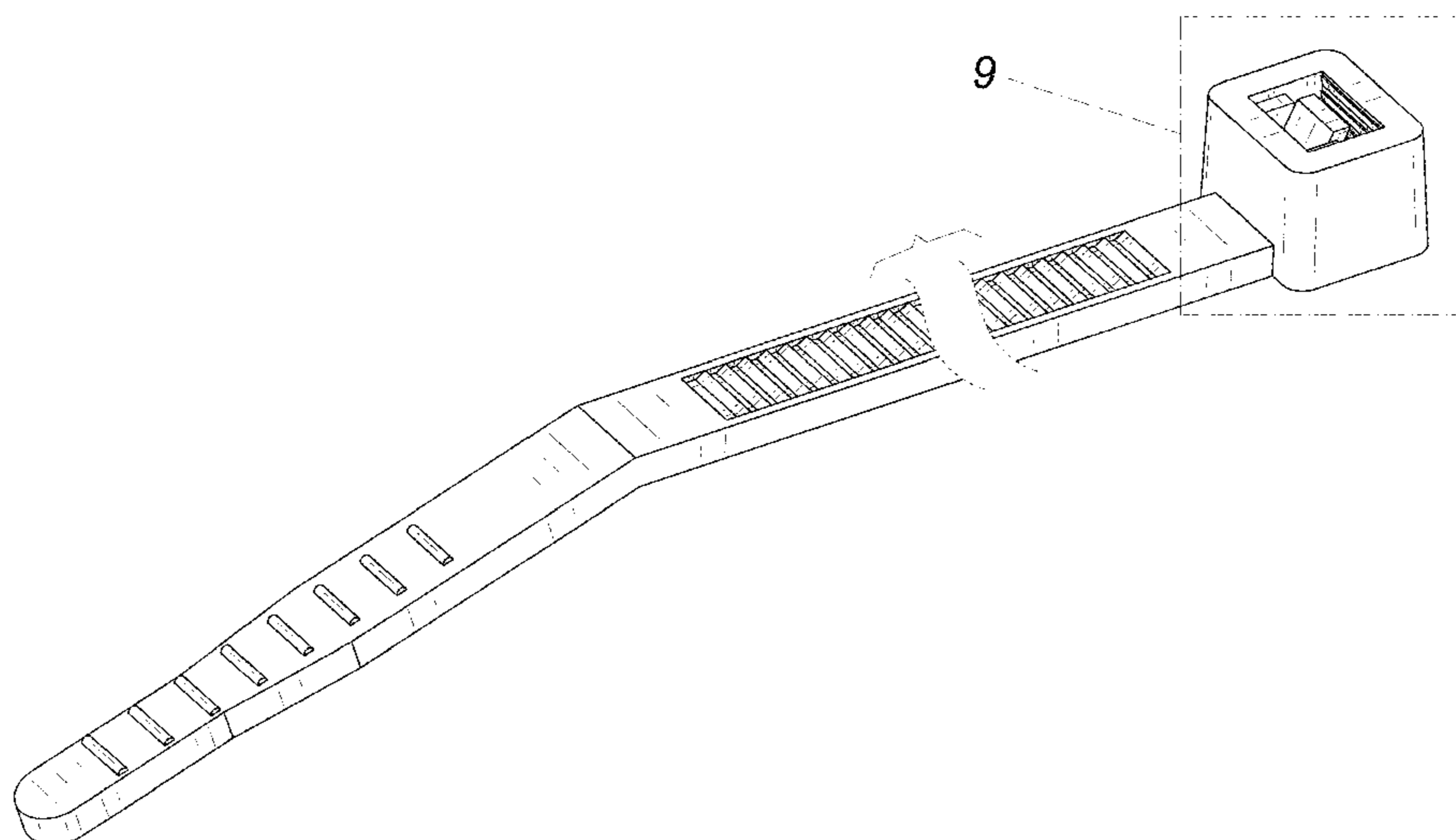
FIG. 1 is a rear, top perspective view of the double sided toothed zip tie, showing my new design; FIG. 2 is a front, left, bottom perspective view thereof; FIG. 3 is a front elevational view thereof; FIG. 4 is a rear elevational view thereof; FIG. 5 is a left side view thereof; FIG. 6 is a right side view thereof; FIG. 7 is a top plan view thereof; FIG. 8 is a bottom plan view thereof; FIG. 9 is an enlarged view of detail 9 in FIG. 1; FIG. 10 is an enlarged view of detail 10 in FIG. 2; FIG. 11 is a sectional perspective view of 11-11 along the line in FIG. 6; FIG. 12 is a sectional perspective view of 12-12 along the line in FIG. 6; FIG. 13 is an enlarged view of detail 13 in FIG. 8; FIG. 14 is an enlarged view of detail 14 in FIG. 11; and, FIG. 15 is an enlarged view of detail 15 in FIG. 12.

The dotted lines are indicative of indeterminate length and form no part of the claimed design.

The dash-dot-dash broken lines are for notating enlarged views and form no part of the claimed design.

The dashed broken lines illustrate the location from which the section drawings are created and shown in FIGS. 11 & 12. The dashed broken lines form no part of the claimed design.

1 Claim, 15 Drawing Sheets



(56)

References Cited

U.S. PATENT DOCUMENTS

D349,641 S * 8/1994 Moliner D8/367
 D401,759 S * 12/1998 Marguerie D3/18
 D698,631 S 2/2014 Wang
 D720,986 S * 1/2015 Citterio D8/367
 D721,951 S 2/2015 Williams et al.
 D723,903 S * 3/2015 Kelleghan D8/356
 D748,971 S 2/2016 Scott
 D749,409 S 2/2016 Martinson
 9,266,654 B1 * 2/2016 Scott B65D 63/1027
 D751,888 S 3/2016 Sakamoto
 D769,704 S * 10/2016 Nitta D8/387
 D856,122 S 8/2019 Keith et al.
 D865,506 S 11/2019 King
 D888,542 S * 6/2020 Wiles D8/356
 D912,503 S 3/2021 King
 D974,895 S 1/2023 Hsu
 2007/0234524 A1 * 10/2007 Witt B65D 63/14
 24/16 PB
 2012/0210541 A1 * 8/2012 Koncelik, Jr. B65D 63/1018
 24/21
 2012/0272486 A1 * 11/2012 Murphy F16B 35/06
 411/388
 2012/0276769 A1 * 11/2012 Sun H01R 13/639
 439/369

2013/0333163 A1 * 12/2013 Chen B65D 63/1027
 24/16 PB
 2014/0283340 A1 * 9/2014 Beckman B65D 63/1018
 24/16 PB
 2014/0290015 A1 * 10/2014 Barron A43C 1/00
 24/712.4
 2016/0280433 A1 * 9/2016 Montejo B65D 63/12
 2019/0210779 A1 * 7/2019 Vaverka B65D 63/1063
 2019/0216066 A1 * 7/2019 Nitta A01K 83/06
 2023/0043039 A1 * 2/2023 Wu B65D 63/14

FOREIGN PATENT DOCUMENTS

CN 217865887 U * 11/2022
 CN 218113658 U * 12/2022
 GB 2243401 A * 10/1991 B65D 63/1063
 GB 2331548 A * 5/1999 B65D 63/1027
 WO WO-2010144716 A1 * 12/2010 F16L 3/133
 WO WO-2015195883 A1 * 12/2015 B65D 63/1072
 WO WO-2018011441 A1 * 1/2018

OTHER PUBLICATIONS

Heavy Duty Zip Ties, posted Sep. 26, 2020 [online], [retrieved Apr. 18, 2024]. Retrieved from internet, <https://www.amazon.com/Pounds-Tensile-Strength-Pieces-Karoka/dp/B08K4PTCW1> (Year: 2020).*

* cited by examiner

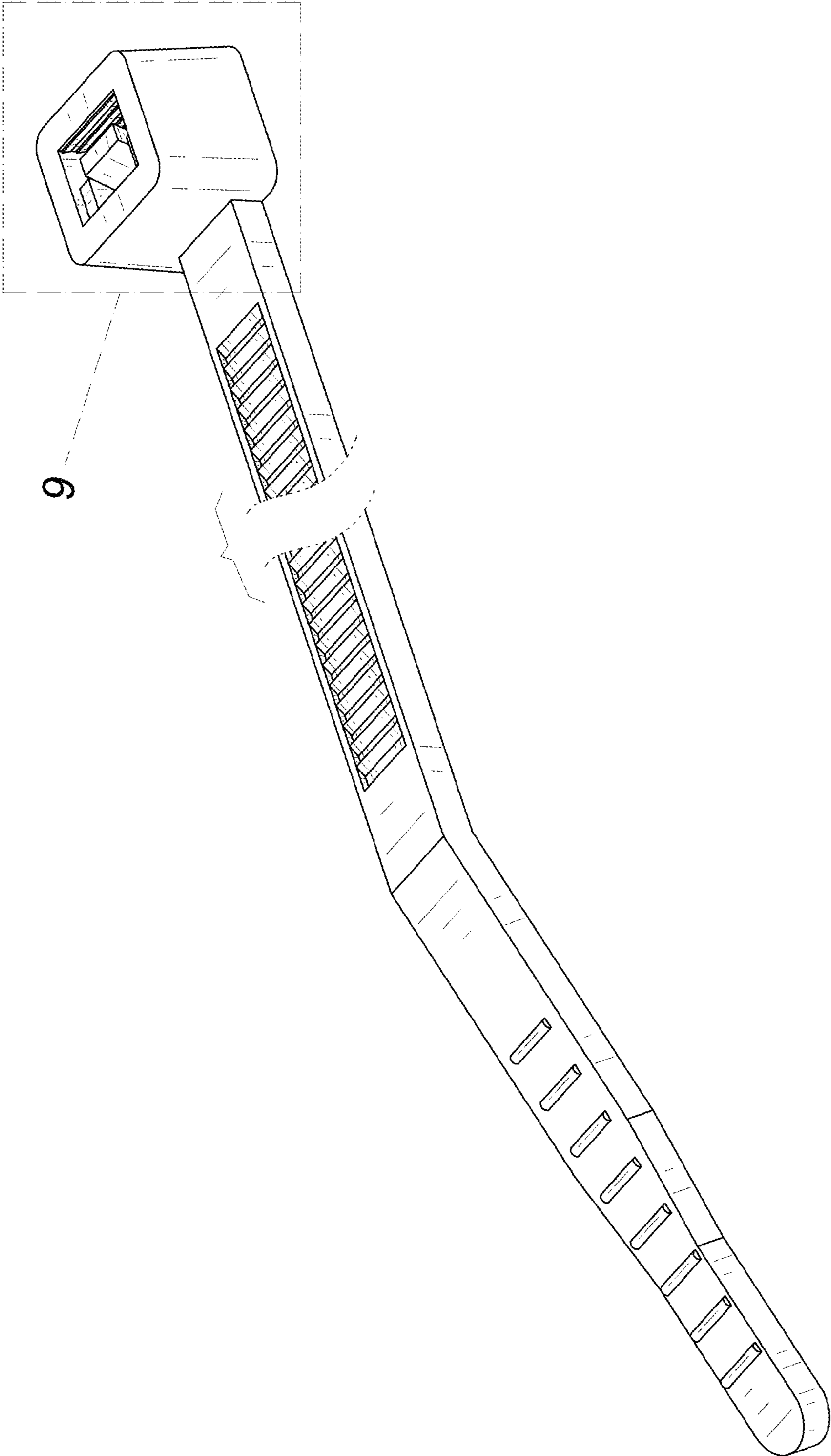


FIG.1

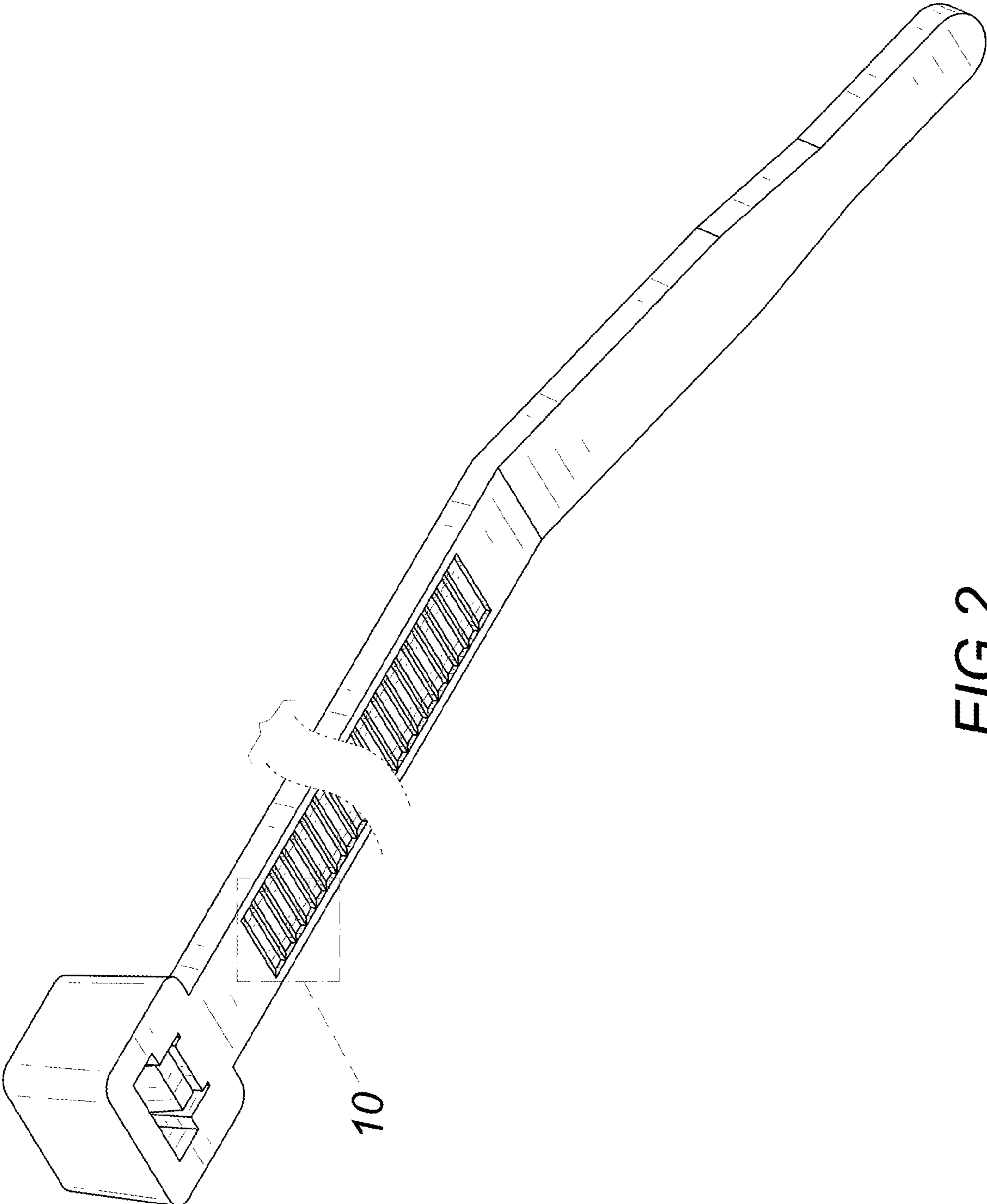


FIG. 2

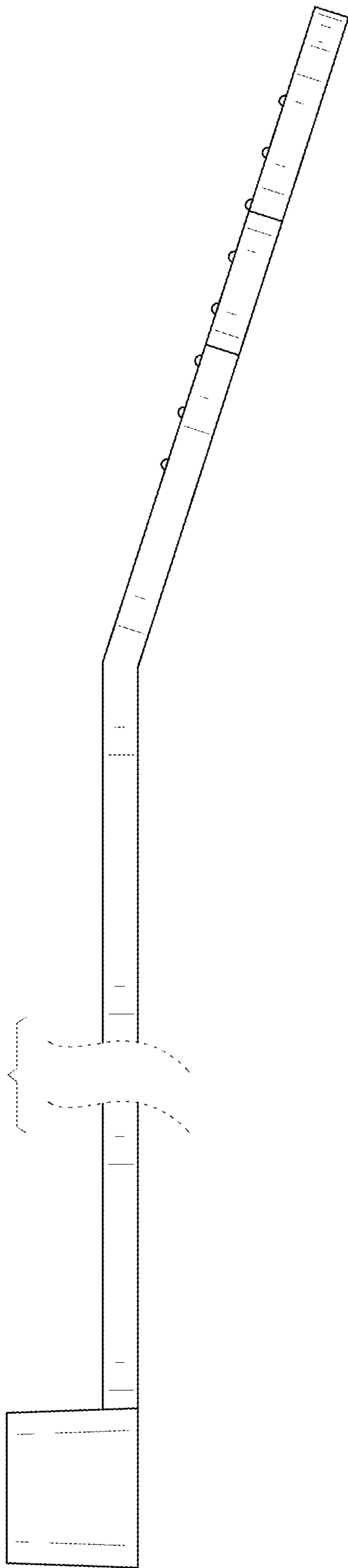


FIG. 3

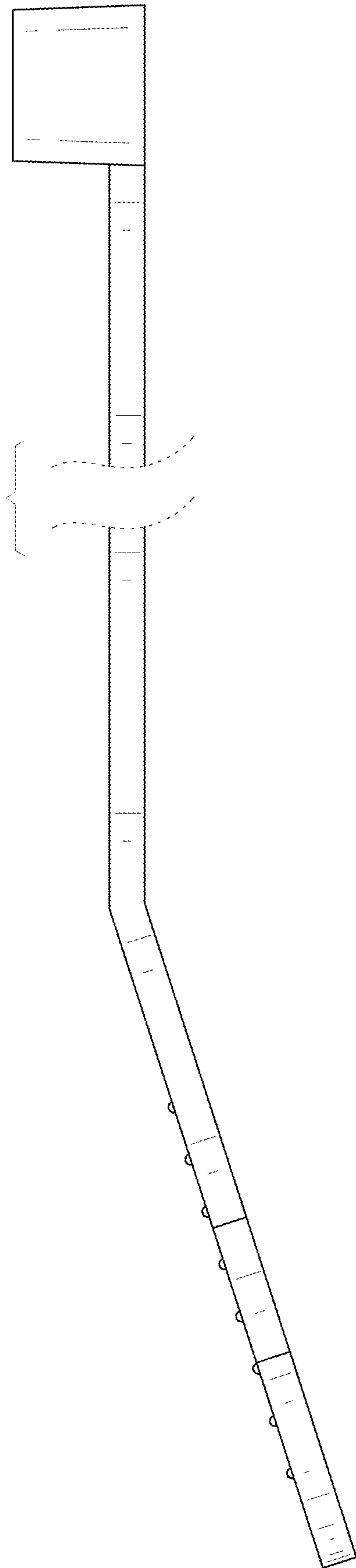


FIG.4

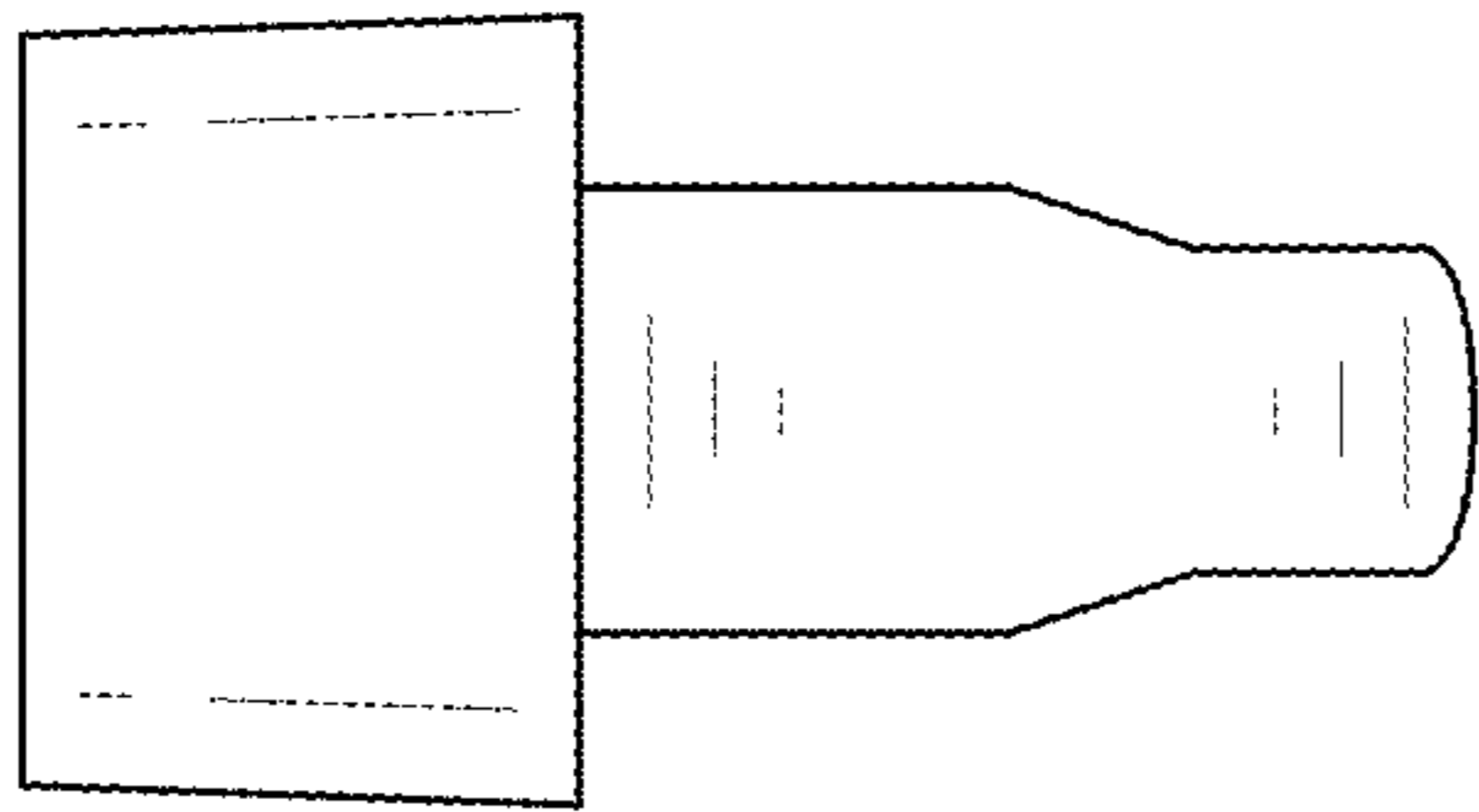


FIG. 5

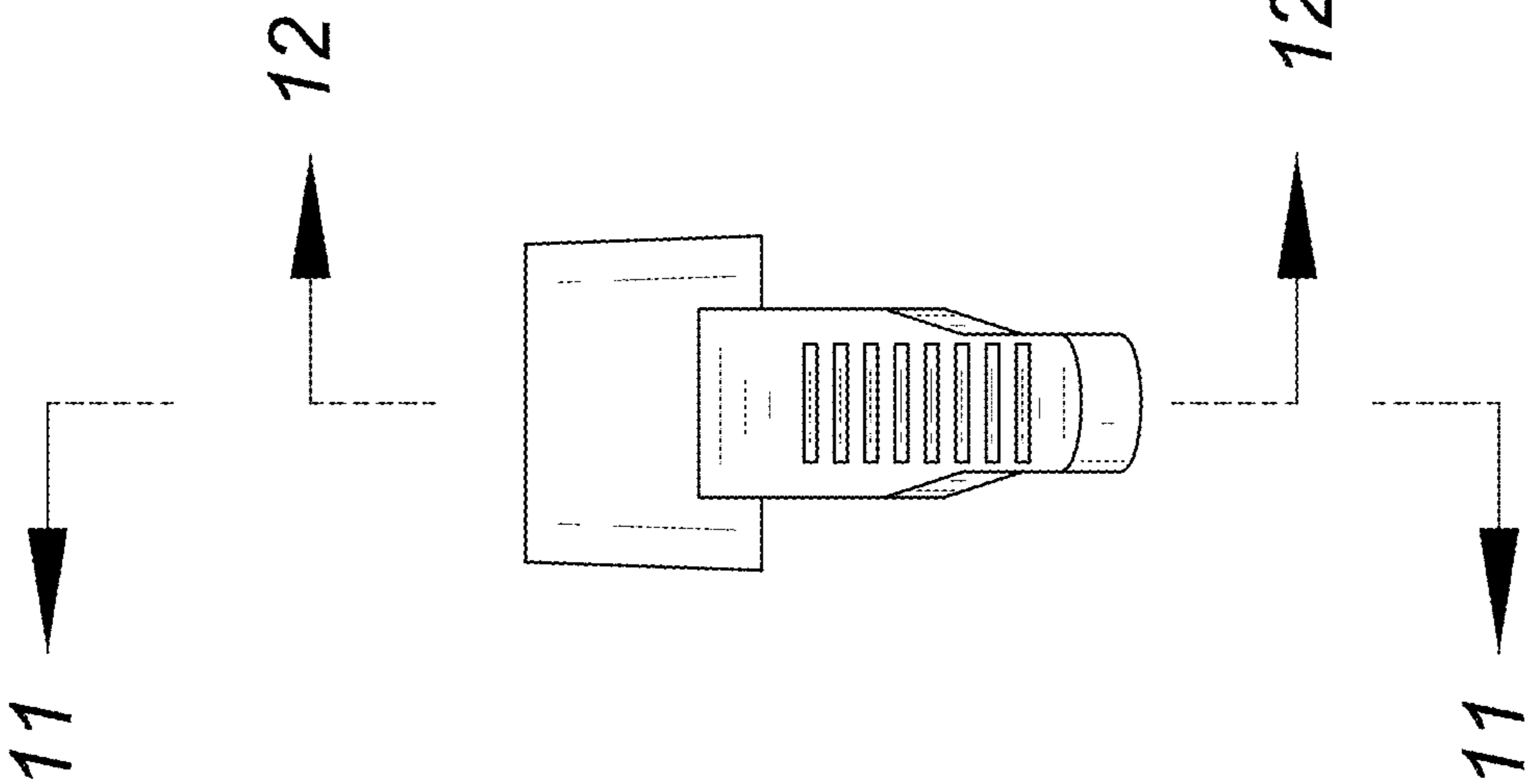


FIG. 6

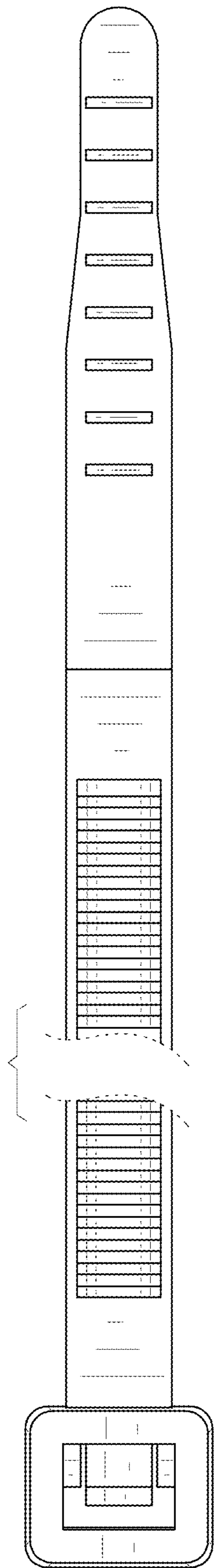


FIG. 7

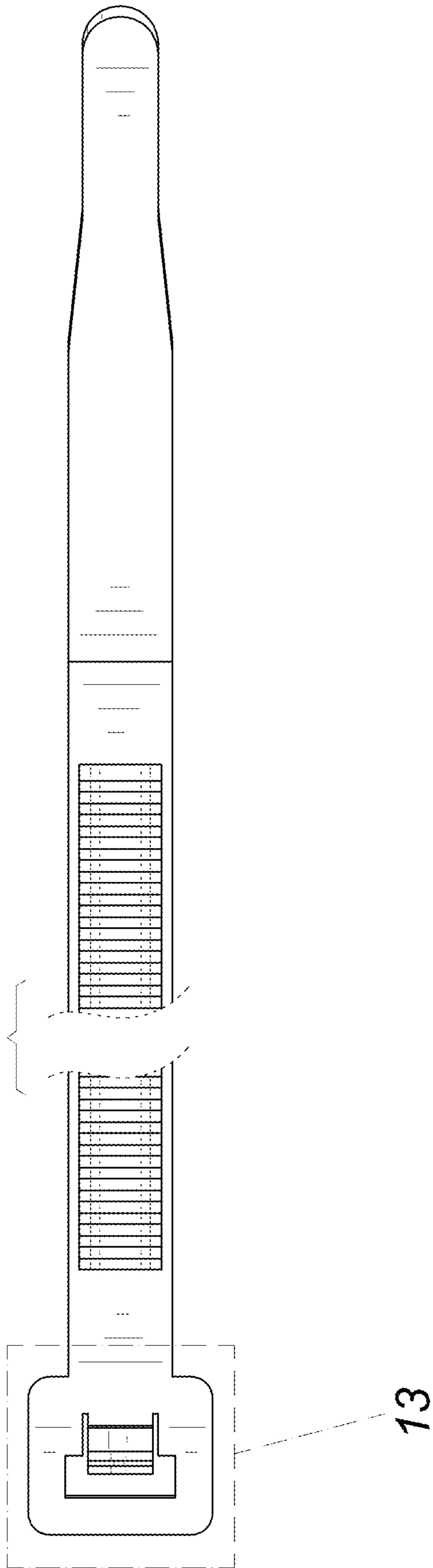


FIG. 8

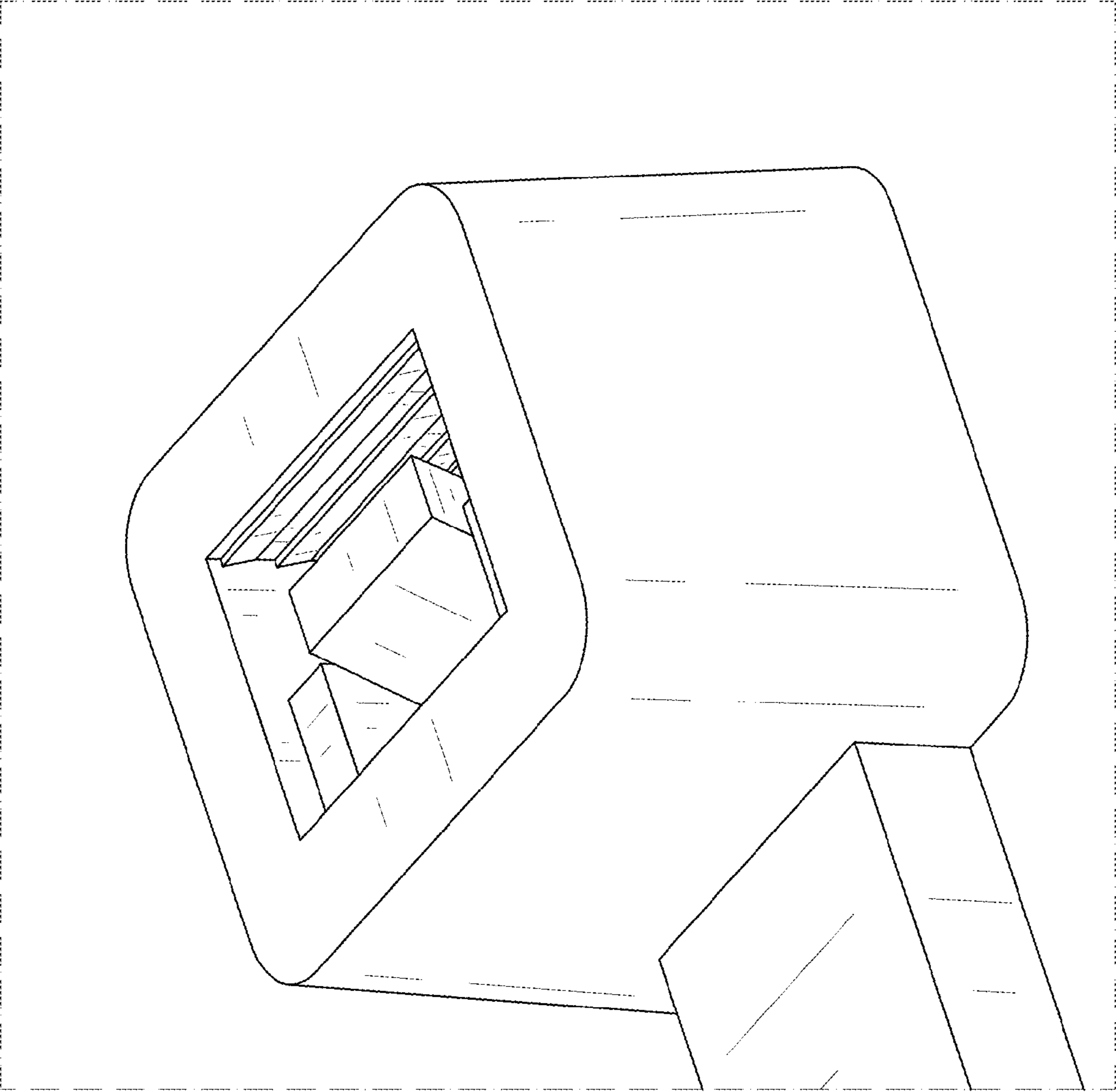


FIG. 9

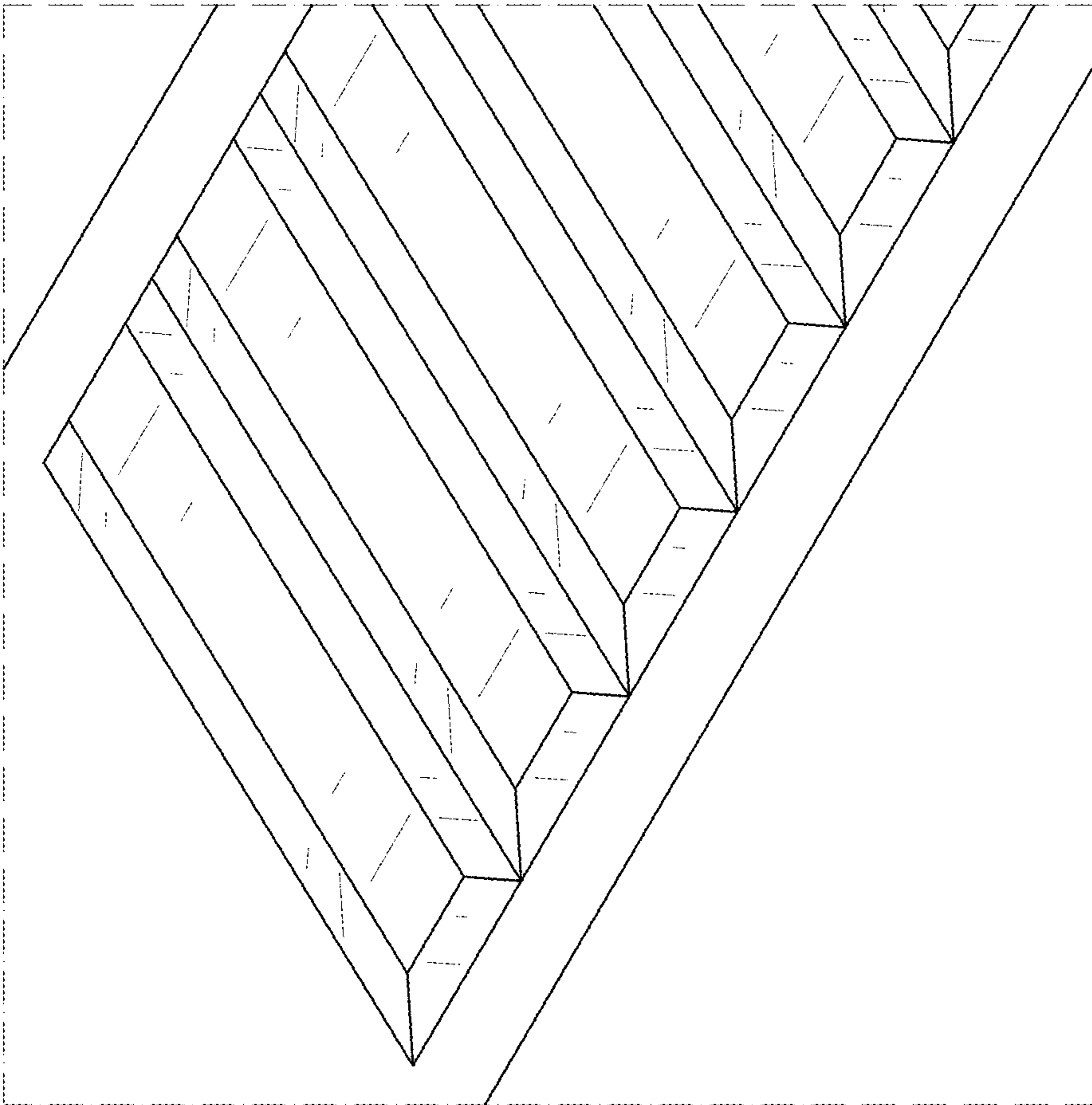


FIG. 10

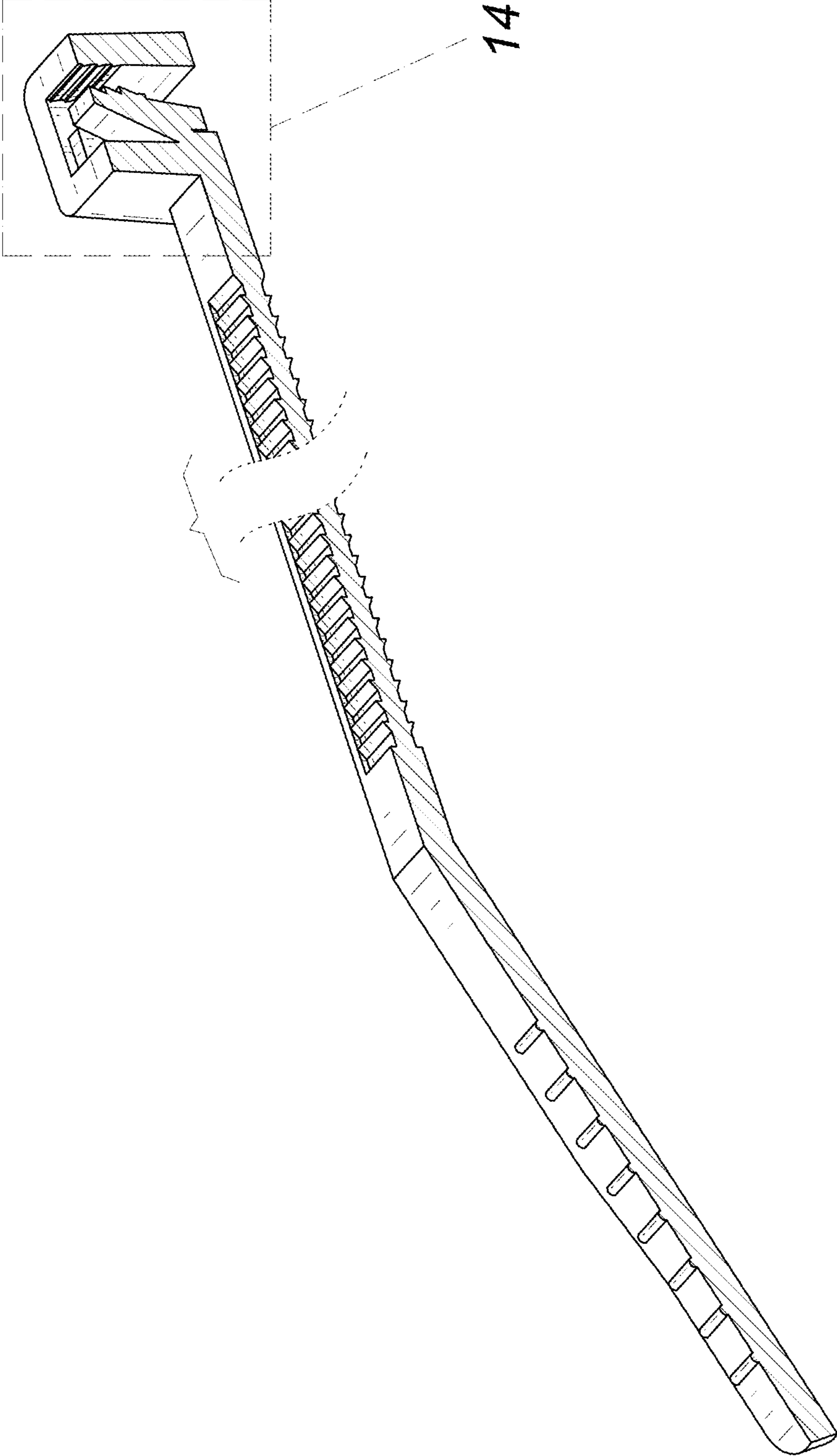


FIG. 11

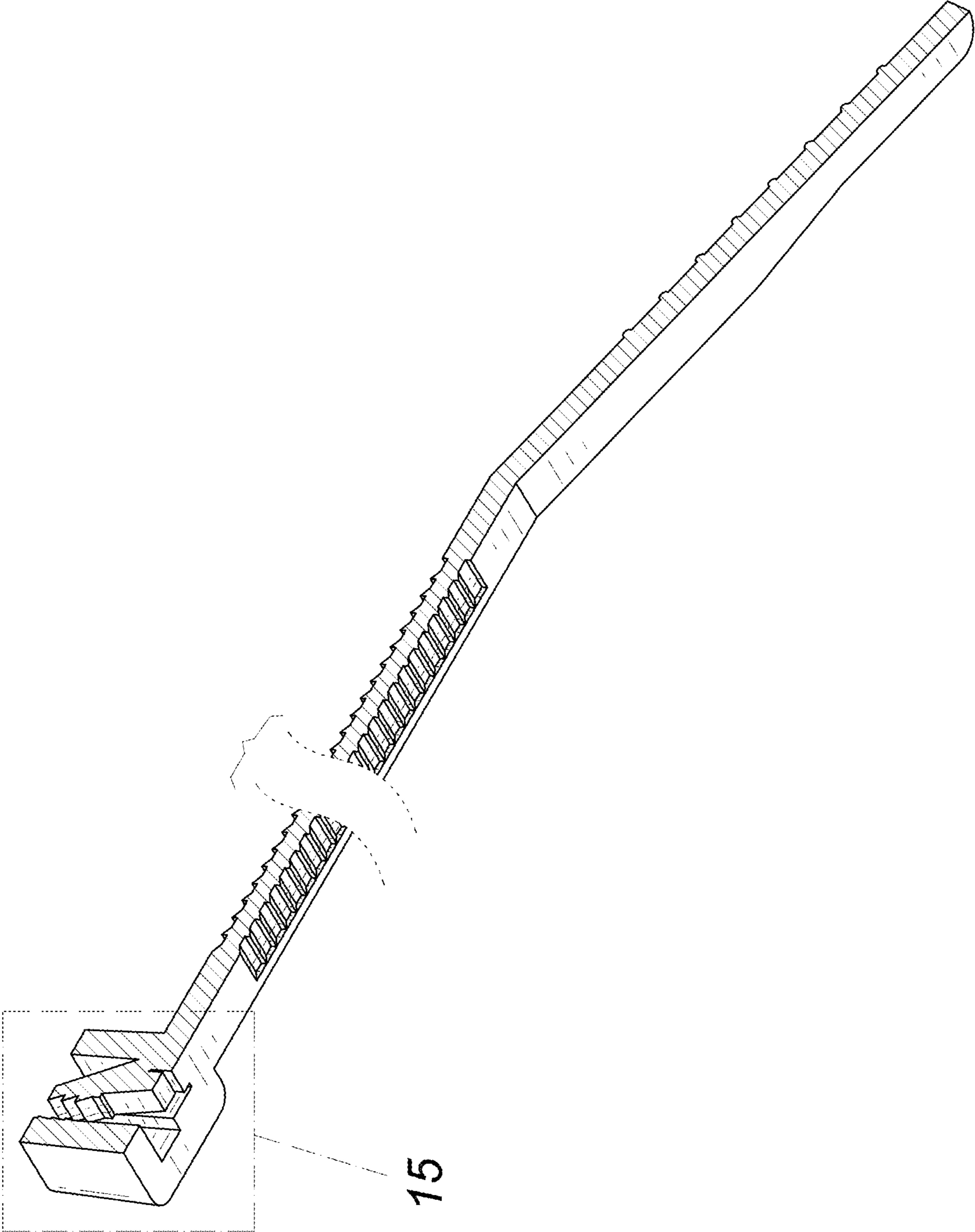


FIG.12

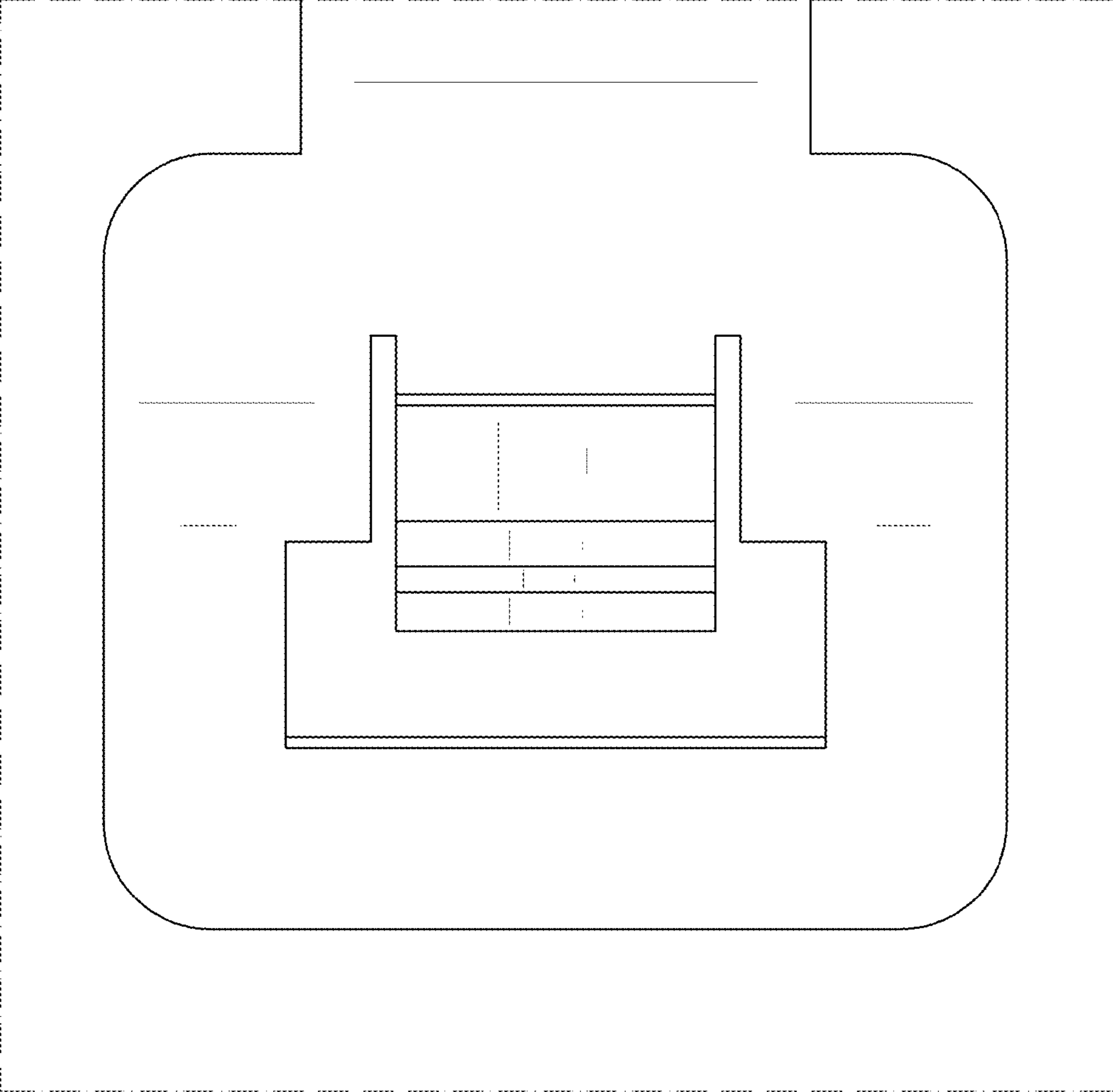


FIG. 13

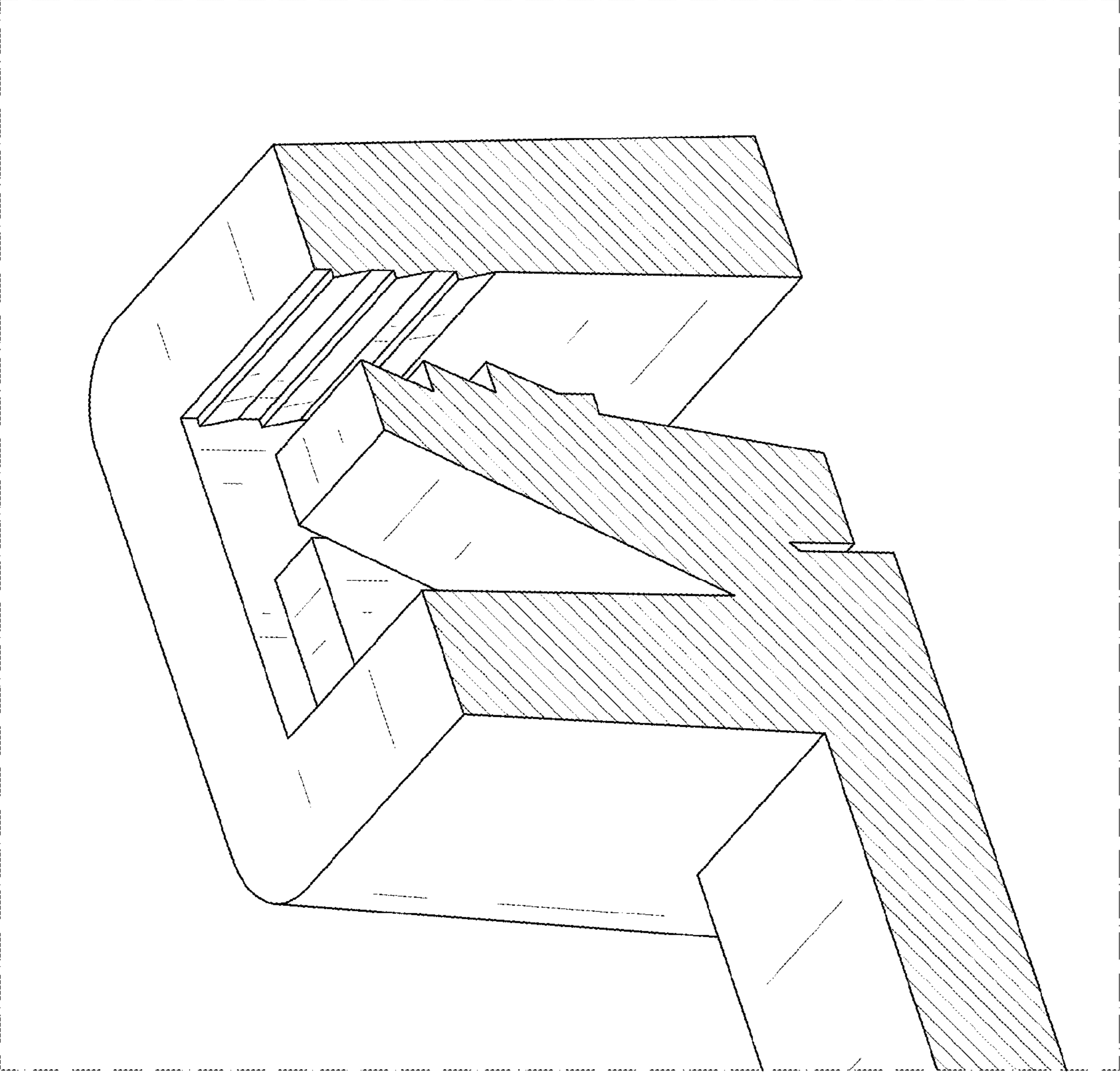


FIG.14

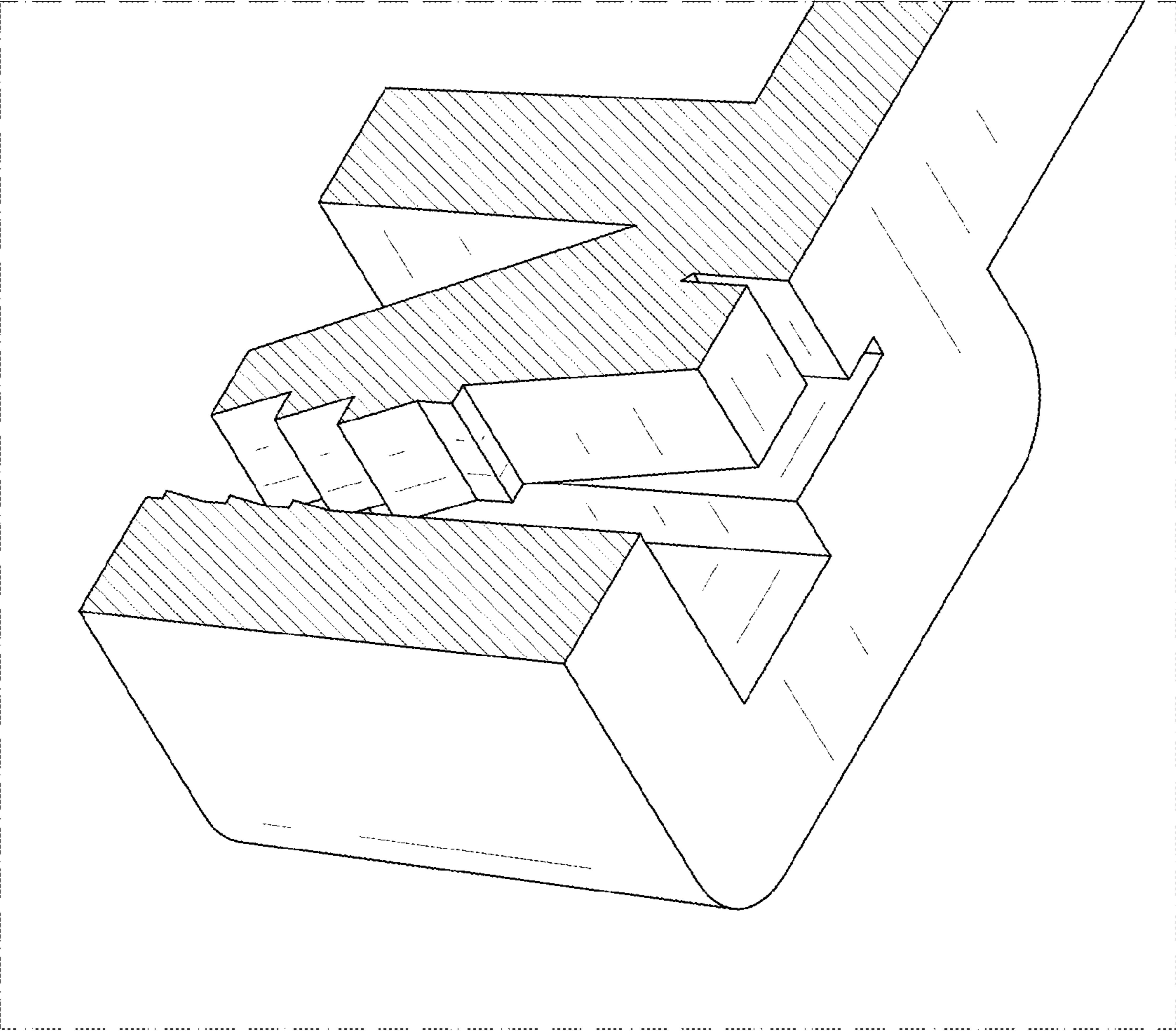


FIG. 15