



US0D1042059S

(12) **United States Design Patent** (10) **Patent No.:** **US D1,042,059 S**  
**Kukucka et al.** (45) **Date of Patent:** **\*\* Sep. 17, 2024**

(54) **PERCUSSION DRIVE**

FOREIGN PATENT DOCUMENTS

(71) Applicant: **GRIP HOLDINGS LLC**, Brandon, FL (US)

AU 201612229 4/2016  
AU 201612720 6/2016

(Continued)

(72) Inventors: **Paul Kukucka**, Brandon, FL (US);  
**Thomas Stefan Kukucka**, Brandon, FL (US)

OTHER PUBLICATIONS

(73) Assignee: **GRIP HOLDINGS LLC**, Brandon, FL (US)

“Genius Tools TO-410EXT”, Nov. 17, 2006, Amazon.com, site visited Apr. 10, 2024: <https://www.amazon.com/dp/B000LZ91WC> (Year: 2006).\*

(Continued)

(\*\*) Term: **15 Years**

(21) Appl. No.: **29/828,439**

*Primary Examiner* — Jack Reickel  
*Assistant Examiner* — Michael A Kervin

(22) Filed: **Feb. 25, 2022**

(51) **LOC (14) Cl.** ..... **08-05**

(52) **U.S. Cl.**  
USPC ..... **D8/29**

(57) **CLAIM**

The ornamental design for a percussion drive, as shown and described.

(58) **Field of Classification Search**  
USPC ..... D8/24, 25, 29, 499  
CPC .. B25B 23/0021; B25B 23/0035; B25B 13/06  
See application file for complete search history.

**DESCRIPTION**

FIG. 1 is a top front perspective view of a percussion drive showing our new design;  
FIG. 2 is a bottom rear perspective view thereof;  
FIG. 3 is a front elevational view thereof;  
FIG. 4 is a right-side elevational view thereof;  
FIG. 5 is a left-side elevational view thereof;  
FIG. 6 is a top plan view thereof;  
FIG. 7 is a bottom plan view thereof;  
FIG. 8 is a back elevational view thereof; and,  
FIG. 9 is a detail view of area 9 in FIG. 1.  
The broken lines showing the tool body in FIGS. 1-9 are included for the purpose of showing environmental structure and form no part of the claimed design. The percussion drive is shown with a symbolic break in its length in FIGS. 4-7. The appearance of any portion of the article between the break lines forms no part of the claimed design.

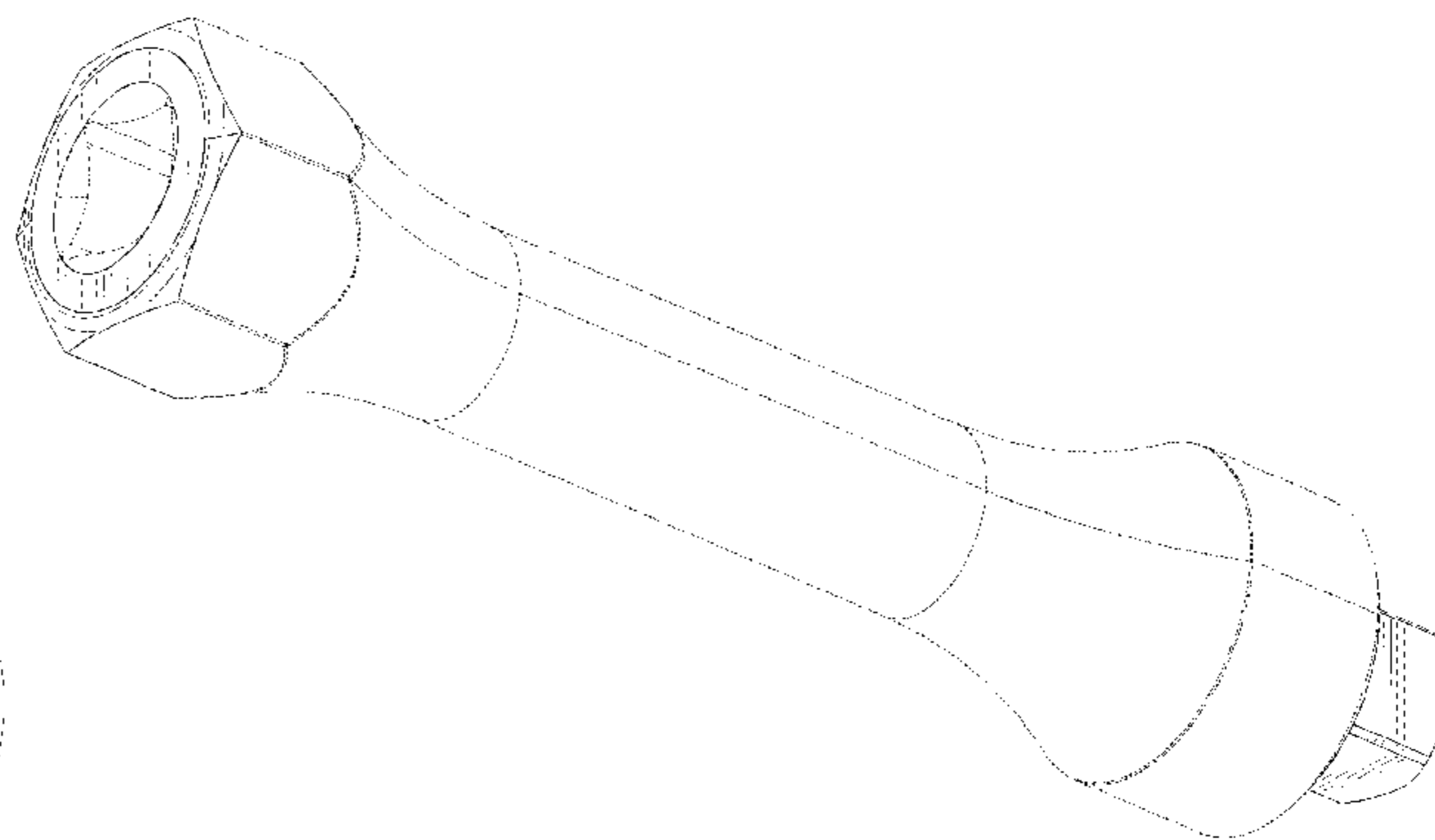
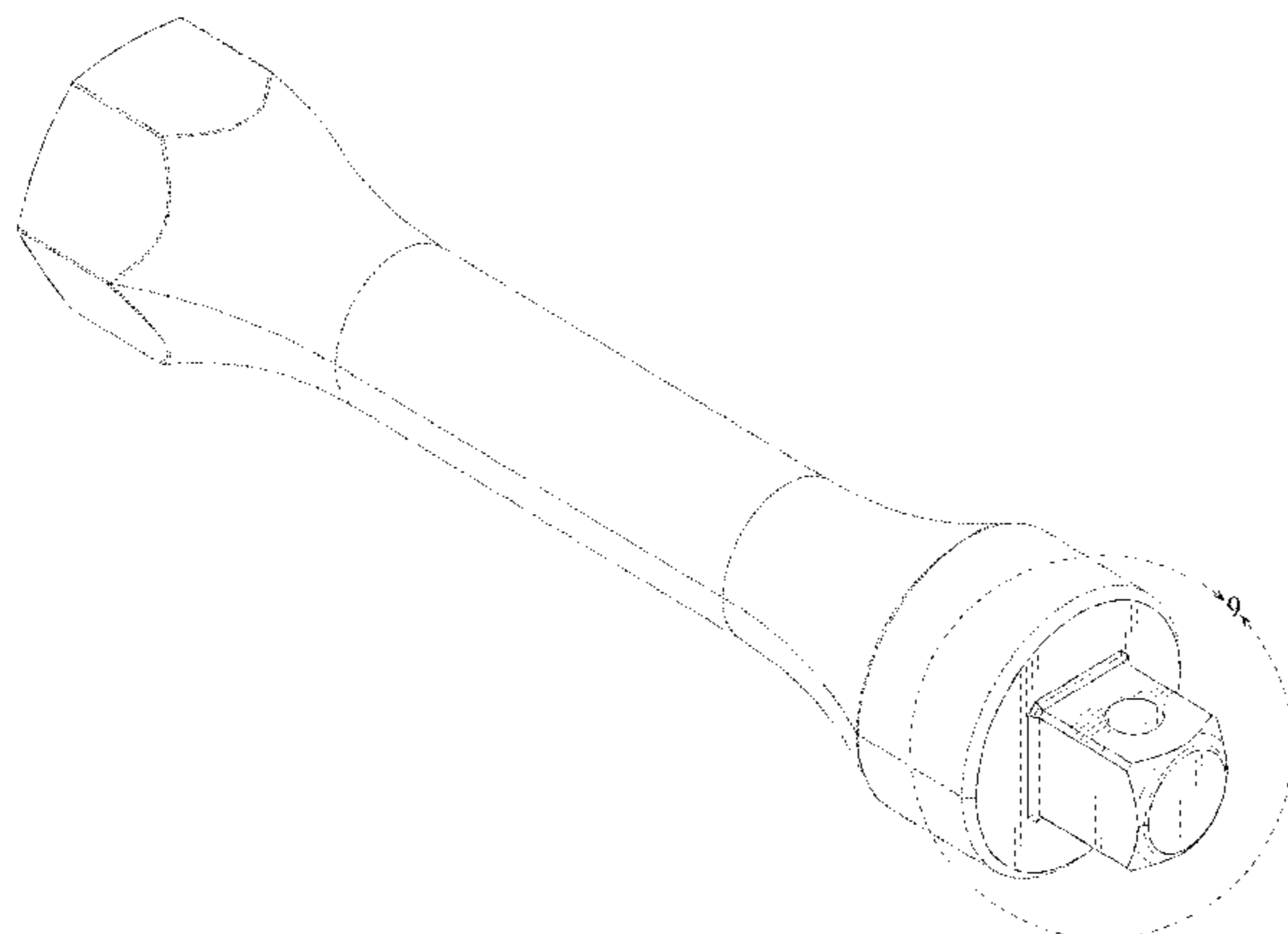
(56) **References Cited**

U.S. PATENT DOCUMENTS

|           |     |         |                 |                           |
|-----------|-----|---------|-----------------|---------------------------|
| 1,798,944 | A   | 3/1931  | Jackman         |                           |
| 3,405,377 | A   | 10/1968 | Pierce          |                           |
| 3,495,485 | A   | 2/1970  | Knudsen et al.  |                           |
| 3,902,384 | A   | 9/1975  | Ehrler          |                           |
| 3,908,489 | A   | 9/1975  | Yamamoto et al. |                           |
| 3,924,493 | A * | 12/1975 | Penner          | B25B 23/0035<br>81/177.85 |
| 4,074,597 | A   | 2/1978  | Jansson         |                           |
| 4,502,365 | A * | 3/1985  | Hacker          | B25B 23/0021<br>81/177.85 |
| 4,536,115 | A   | 8/1985  | Helderman       |                           |
| 4,598,616 | A   | 7/1986  | Colvin          |                           |
| 4,607,547 | A   | 8/1986  | Martus          |                           |

(Continued)

**1 Claim, 9 Drawing Sheets**



(56)

References Cited

U.S. PATENT DOCUMENTS

|           |      |         |                |       |              |           |              |      |         |                            |
|-----------|------|---------|----------------|-------|--------------|-----------|--------------|------|---------|----------------------------|
| 4,733,584 | A *  | 3/1988  | Karge          | ..... | B25B 23/0021 | 81/177.85 | D776,505     | S    | 1/2017  | Doroslovac                 |
| 4,754,670 | A *  | 7/1988  | Raymond        | ..... | B25B 13/481  | 81/177.85 | D784,106     | S    | 4/2017  | Doroslovac                 |
| 4,781,085 | A *  | 11/1988 | Fox, III       | ..... | B25B 23/0035 | 81/177.85 | 9,687,968    | B2   | 6/2017  | Doroslovac et al.          |
| 4,817,476 | A *  | 4/1989  | Karge          | ..... | B25B 23/0035 | 81/177.85 | D794,405     | S    | 8/2017  | Doroslovac et al.          |
| 4,893,530 | A    | 1/1990  | Warheit        |       |              |           | 9,718,170    | B2   | 8/2017  | Eggert et al.              |
| 4,905,548 | A *  | 3/1990  | Colace         | ..... | B25B 23/0021 | 81/177.2  | D798,682     | S    | 10/2017 | Doroslovac et al.          |
| 4,927,020 | A    | 5/1990  | Randy          |       |              |           | 9,873,195    | B1   | 1/2018  | Buxton                     |
| 4,930,378 | A    | 6/1990  | Colvin         |       |              |           | 9,878,441    | B1   | 1/2018  | Kao                        |
| 4,962,682 | A *  | 10/1990 | Rose           | ..... | B25B 23/0021 | 81/177.85 | D829,069     | S    | 9/2018  | Doroslovac et al.          |
| 5,019,080 | A    | 5/1991  | Hemer          |       |              |           | 10,081,094   | B2   | 9/2018  | Doroslovac et al.          |
| D318,997  | S *  | 8/1991  | Baker          | ..... | 81/63.1      |           | 10,328,554   | B2   | 6/2019  | Todd                       |
| D319,562  | S *  | 9/1991  | Ballard        | ..... | D8/29        |           | D859,944     | S    | 9/2019  | Kukucka et al.             |
| D335,071  | S *  | 4/1993  | Fine           | ..... | D8/29        |           | D859,945     | S    | 9/2019  | Kukucka et al.             |
| 5,219,392 | A    | 6/1993  | Ruzicka et al. |       |              |           | D859,946     | S    | 9/2019  | Kukucka et al.             |
| 5,228,570 | A    | 7/1993  | Robinson       |       |              |           | D859,947     | S    | 9/2019  | Kukucka et al.             |
| 5,251,521 | A    | 10/1993 | Burda et al.   |       |              |           | D867,841     | S    | 11/2019 | Kukucka et al.             |
| 5,398,823 | A    | 3/1995  | Anders         |       |              |           | D868,553     | S    | 12/2019 | Kukucka et al.             |
| D361,485  | S *  | 8/1995  | Seltz          | ..... | D8/29        |           | D879,577     | S    | 3/2020  | Kukucka et al.             |
| 5,438,894 | A *  | 8/1995  | Pearce         | ..... | B25B 23/0021 | 81/177.85 | D880,968     | S    | 4/2020  | Kukucka et al.             |
| 5,481,948 | A    | 1/1996  | Zerkovitz      |       |              |           | D880,977     | S    | 4/2020  | Kukucka et al.             |
| 5,501,342 | A    | 3/1996  | Geibel         |       |              |           | D885,149     | S    | 5/2020  | Kukucka et al.             |
| 5,519,929 | A    | 5/1996  | Bleckman       |       |              |           | D887,233     | S    | 6/2020  | Kukucka et al.             |
| 5,568,757 | A *  | 10/1996 | Lewis          | ..... | B25B 23/0021 | 81/177.85 | D887,711     | S    | 6/2020  | Kukucka et al.             |
| 5,645,177 | A    | 7/1997  | Lin            |       |              |           | D889,224     | S    | 7/2020  | Kukucka et al.             |
| 5,669,516 | A    | 9/1997  | Horn           |       |              |           | D889,257     | S    | 7/2020  | Kukucka et al.             |
| 5,725,107 | A    | 3/1998  | Dembicks       |       |              |           | D892,578     | S    | 8/2020  | Kukucka et al.             |
| 5,737,981 | A    | 4/1998  | Hildebrand     |       |              |           | 10,780,556   | B2   | 9/2020  | Kukucka et al.             |
| 5,743,394 | A    | 4/1998  | Martin         |       |              |           | 10,786,890   | B2   | 9/2020  | Kukucka et al.             |
| 5,782,148 | A    | 7/1998  | Kerkhoven      |       |              |           | D899,091     | S    | 10/2020 | Kukucka et al.             |
| D397,598  | S *  | 9/1998  | Falk           | ..... | D8/29        |           | 10,828,766   | B2   | 11/2020 | Kukucka et al.             |
| 5,829,327 | A    | 11/1998 | Stanton        |       |              |           | D904,152     | S    | 12/2020 | Kukucka et al.             |
| 5,832,792 | A    | 11/1998 | Hsieh          |       |              |           | D906,781     | S    | 1/2021  | Kukucka et al.             |
| 6,009,778 | A    | 1/2000  | Hsieh          |       |              |           | 10,882,162   | B2   | 1/2021  | Kukucka et al.             |
| 6,079,299 | A    | 6/2000  | Sundstrom      |       |              |           | D909,842     | S    | 2/2021  | Kukucka et al.             |
| 6,092,279 | A    | 7/2000  | Shoup          |       |              |           | D910,490     | S    | 2/2021  | Lim et al.                 |
| 6,199,457 | B1 * | 3/2001  | Hoff           | ..... | B25B 23/0035 | 81/177.85 | 10,919,133   | B2   | 2/2021  | Kukucka et al.             |
| 6,352,011 | B1   | 3/2002  | Fruhm          |       |              |           | 10,967,488   | B2   | 4/2021  | Kukucka et al.             |
| 6,431,373 | B1   | 8/2002  | Blick          |       |              |           | 2003/0209111 | A1   | 11/2003 | Huang                      |
| 6,575,057 | B1   | 6/2003  | Ploeger        |       |              |           | 2004/0256263 | A1   | 12/2004 | Shih                       |
| 6,698,316 | B1   | 3/2004  | Wright         |       |              |           | 2005/0098459 | A1   | 5/2005  | Gorman                     |
| 6,755,098 | B2   | 6/2004  | Huang          |       |              |           | 2005/0103664 | A1   | 5/2005  | Shih                       |
| 6,761,089 | B2   | 7/2004  | Bergamo        |       |              |           | 2005/0257357 | A1   | 11/2005 | Huang                      |
| 6,857,340 | B2   | 2/2005  | Wagner         |       |              |           | 2005/0274233 | A1   | 12/2005 | Lin                        |
| 6,951,156 | B2   | 10/2005 | Garg           |       |              |           | 2006/0037184 | A1 * | 2/2006  | Miller ..... B25B 13/06    |
| 7,000,501 | B1   | 2/2006  | Chen           |       |              |           |              |      |         | 29/275                     |
| 7,062,997 | B2 * | 6/2006  | Hu             | ..... | B25B 23/0035 | 81/177.85 | 2006/0130618 | A1   | 6/2006  | Hsieh                      |
| D524,615  | S    | 7/2006  | Albertson      |       |              |           | 2006/0156869 | A1   | 7/2006  | Hsieh                      |
| 7,225,710 | B2   | 6/2007  | Pacheco, Jr.   |       |              |           | 2006/0266168 | A1   | 11/2006 | Pacheco, Jr.               |
| 7,331,260 | B2   | 2/2008  | Cheng          |       |              |           | 2007/0261519 | A1   | 11/2007 | Cheng                      |
| 7,434,494 | B1   | 10/2008 | Snider         |       |              |           | 2008/0235930 | A1   | 10/2008 | English                    |
| 7,717,278 | B2   | 1/2010  | Kao            |       |              |           | 2009/0007732 | A1   | 1/2009  | Hsieh                      |
| D614,931  | S    | 5/2010  | Su             |       |              |           | 2009/0120885 | A1   | 5/2009  | Kao                        |
| 7,788,994 | B2   | 9/2010  | Wright et al.  |       |              |           | 2009/0220321 | A1   | 9/2009  | Sakamura                   |
| 7,841,480 | B2   | 11/2010 | Hsieh          |       |              |           | 2010/0024607 | A1 * | 2/2010  | Thompson ..... B25B 13/463 |
| 7,913,593 | B2   | 3/2011  | Dahar et al.   |       |              |           |              |      |         | 81/63.1                    |
| 8,166,851 | B2   | 5/2012  | Pchola         |       |              |           | 2011/0056339 | A1   | 3/2011  | Su                         |
| 8,302,255 | B2   | 11/2012 | Lin            |       |              |           | 2011/0303052 | A1   | 12/2011 | Chen                       |
| 8,336,709 | B1   | 12/2012 | Geibel         |       |              |           | 2012/0060656 | A1   | 3/2012  | Chang                      |
| D688,544  | S *  | 8/2013  | Evans          | ..... | D8/29        |           | 2012/0132039 | A1   | 5/2012  | Su                         |
| 8,667,871 | B2 * | 3/2014  | Ahrens         | ..... | B25B 23/0021 | 81/177.85 | 2012/0297937 | A1 * | 11/2012 | Evans ..... B25B 13/04     |
| D718,105  | S *  | 11/2014 | Tsai           | ..... | D8/29        |           |              |      |         | 81/177.1                   |
| D745,814  | S    | 12/2015 | Hsieh          |       |              |           | 2013/0047798 | A1   | 2/2013  | Huang                      |
| D761,068  | S *  | 7/2016  | Brown          | ..... | D8/29        |           | 2014/0260832 | A1   | 9/2014  | Hsiao                      |
|           |      |         |                |       |              |           | 2014/0311302 | A1   | 10/2014 | Taguchi et al.             |
|           |      |         |                |       |              |           | 2014/0331826 | A1   | 11/2014 | Campbell                   |
|           |      |         |                |       |              |           | 2014/0360321 | A1   | 12/2014 | Steinweg et al.            |
|           |      |         |                |       |              |           | 2015/0135910 | A1   | 5/2015  | Eggert et al.              |
|           |      |         |                |       |              |           | 2015/0266169 | A1   | 9/2015  | Campbell, II               |
|           |      |         |                |       |              |           | 2015/0314429 | A1   | 11/2015 | Doroslovac                 |
|           |      |         |                |       |              |           | 2015/0321332 | A1   | 11/2015 | Lee                        |
|           |      |         |                |       |              |           | 2016/0067853 | A1   | 3/2016  | Neto                       |
|           |      |         |                |       |              |           | 2016/0136792 | A1   | 5/2016  | Harp                       |
|           |      |         |                |       |              |           | 2016/0223005 | A1   | 8/2016  | Rathmann                   |
|           |      |         |                |       |              |           | 2016/0271764 | A1   | 9/2016  | Huang                      |
|           |      |         |                |       |              |           | 2016/0339564 | A1   | 11/2016 | Chen                       |
|           |      |         |                |       |              |           | 2017/0028538 | A1   | 2/2017  | Lourenco et al.            |
|           |      |         |                |       |              |           | 2017/0246733 | A1   | 8/2017  | Shehab                     |
|           |      |         |                |       |              |           | 2017/0252905 | A1   | 9/2017  | Doroslovac                 |
|           |      |         |                |       |              |           | 2017/0282337 | A1   | 10/2017 | Johnson et al.             |



(56)

References Cited

U.S. PATENT DOCUMENTS

2017/0312839 A1 11/2017 Moss et al.  
 2017/0312897 A1 11/2017 Doroslovac et al.  
 2018/0003241 A1 1/2018 Goss  
 2018/0141192 A1 5/2018 Chang  
 2018/0354022 A1 12/2018 Ross et al.  
 2018/0354102 A1 12/2018 Kukucka et al.  
 2019/0001469 A1 1/2019 Cho et al.  
 2019/0015961 A1 1/2019 Kukucka et al.  
 2019/0152033 A1 5/2019 Kukucka et al.  
 2019/0283233 A1 9/2019 Kukucka et al.  
 2019/0337131 A1 11/2019 Kukucka et al.  
 2019/0375077 A1 12/2019 Kukucka et al.  
 2020/0078908 A1 3/2020 Wu et al.  
 2020/0298380 A1 9/2020 Doroslovac et al.  
 2020/0376648 A1 12/2020 Kukucka et al.  
 2020/0391360 A1 12/2020 Kukucka et al.  
 2021/0039245 A1 2/2021 Kukucka et al.

FOREIGN PATENT DOCUMENTS

AU 201612721 6/2016  
 CA 2564093 A1 4/2007  
 CA 168071 12/2016  
 CA 2898480 A1 7/2017  
 CN 2767068 Y 3/2006  
 CN 3630254 6/2006  
 CN 201046555 Y 4/2008  
 CN 102395447 3/2012  
 CN 102554833 A 7/2012  
 CN 303924849 11/2016  
 CN 303956827 12/2016  
 CN 303984883 12/2016  
 DE 3911409 A1 10/1990  
 DE 9403220 U1 4/1994  
 DE 4321325 A1 1/1995  
 DE 29613327 U1 9/1996  
 DE 10321284 A1 12/2004  
 DE 202010006146 U1 7/2010  
 DE 102013021238 A1 6/2015  
 EP 0930132 A2 7/1999  
 EP 0930132 A3 11/2000  
 EP 1371453 A2 12/2003  
 EP 1731774 A1 12/2006  
 EP 0930132 B1 4/2007  
 GB 906839 A 9/1962  
 GB 1294764 A 11/1972  
 GB 2366532 A 3/2002  
 JP 2011143522 7/2011  
 JP 2012157913 10/2011  
 JP 2015180835 A 7/2017  
 KR 200149097 Y1 7/1999  
 RU 2152870 C1 7/2000

RU 2225786 C2 1/2001  
 RU 45671 U1 5/2005  
 RU 58510 U1 11/2006  
 RU 2387533 C1 4/2010  
 RU 116398 5/2012  
 RU 180548 U1 6/2018  
 SU 16616 A1 8/1930  
 WO 1994016862 A1 8/1994  
 WO 1996010932 A1 4/1996  
 WO 1996026870 A1 9/1996  
 WO 1996027745 A1 9/1996  
 WO 1997010926 A1 3/1997  
 WO 1998012982 A1 4/1998  
 WO 999032264 7/1999  
 WO 1999032264 A1 7/1999  
 WO 2001066312 A1 9/2001  
 WO 2004002687 A1 1/2004  
 WO 2005070621 8/2005  
 WO 2006023374 3/2006  
 WO 2006130490 A1 12/2006  
 WO 2010007402 A1 1/2010  
 WO 2011109040 A1 9/2011  
 WO 2013028875 A1 2/2013  
 WO 2015082283 A1 6/2015  
 WO 2015050942 A1 9/2015  
 WO 2016051080 A1 4/2016  
 WO DM/090809 4/2016  
 WO DM/091188 5/2016  
 WO DM/091189 5/2016  
 WO 2016174615 A1 11/2016  
 WO 2017178997 10/2017  
 WO 2017187388 A1 11/2017  
 WO 2018172831 9/2018  
 WO 2019012486 1/2019  
 WO 2019167032 9/2019  
 WO 2019175652 9/2019  
 WO 2020039281 2/2020  
 WO 2020039285 2/2020  
 WO 2020058777 3/2020  
 WO 2020152516 7/2020  
 WO 2020208608 10/2020  
 WO 2020225800 11/2020  
 WO 2021001696 1/2021  
 WO 2021019500 2/2021  
 WO 2021033152 2/2021

OTHER PUBLICATIONS

“Tusk Spark Plug Socket”, Feb. 22, 2010, Amazon.com, site visited Apr. 10, 2024: <https://www.amazon.com/dp/B0039LB8PI> (Year: 2010).\*  
 “AFF 4 Pieces Heavy Duty Torque Limiting Extension Kit”, May 16, 2016, Amazon.com, site visited Apr. 10, 2024: <https://www.amazon.com/dp/B01FUZ9R0S> (Year: 2016).\*

\* cited by examiner

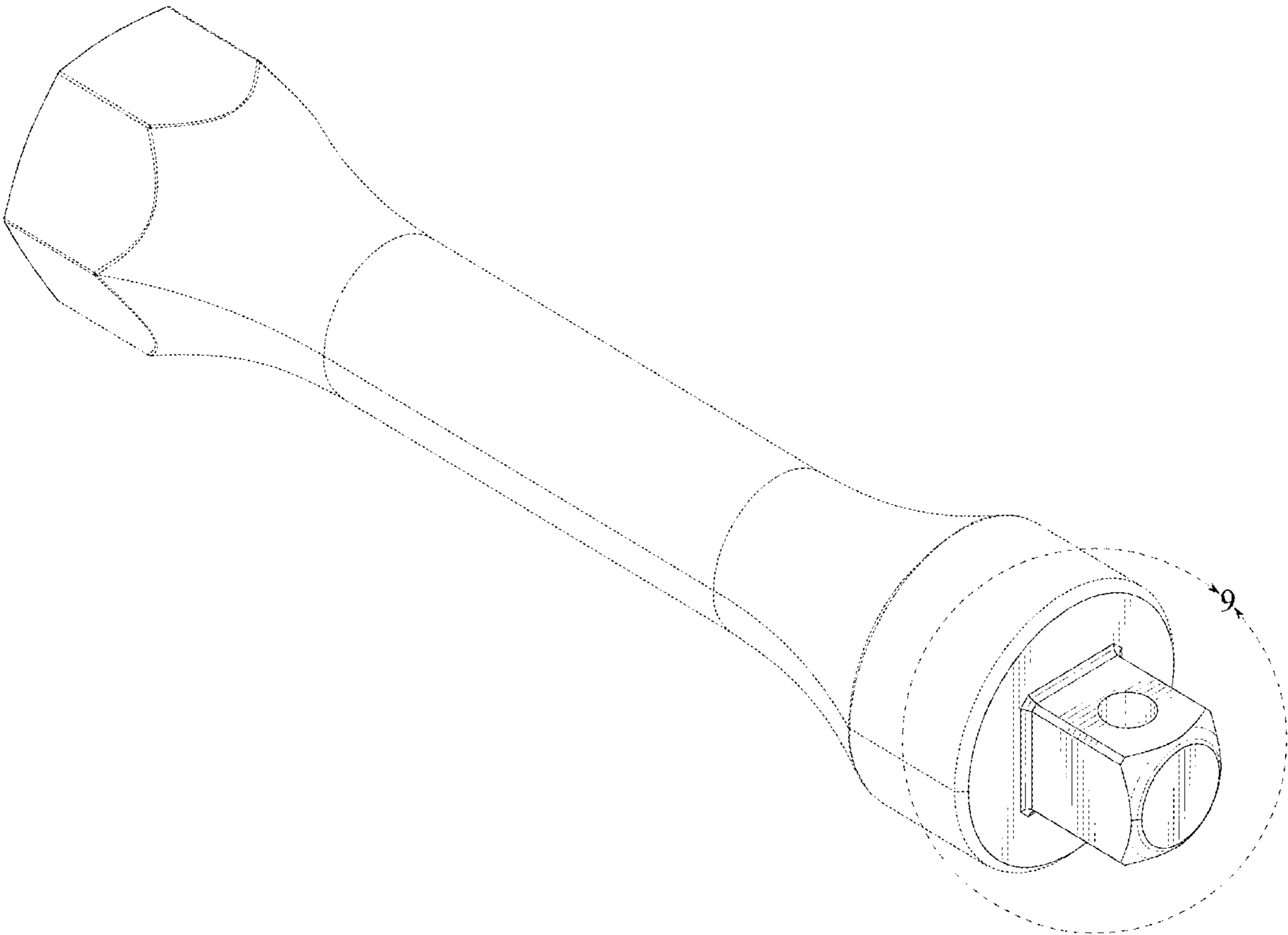


FIG. 1

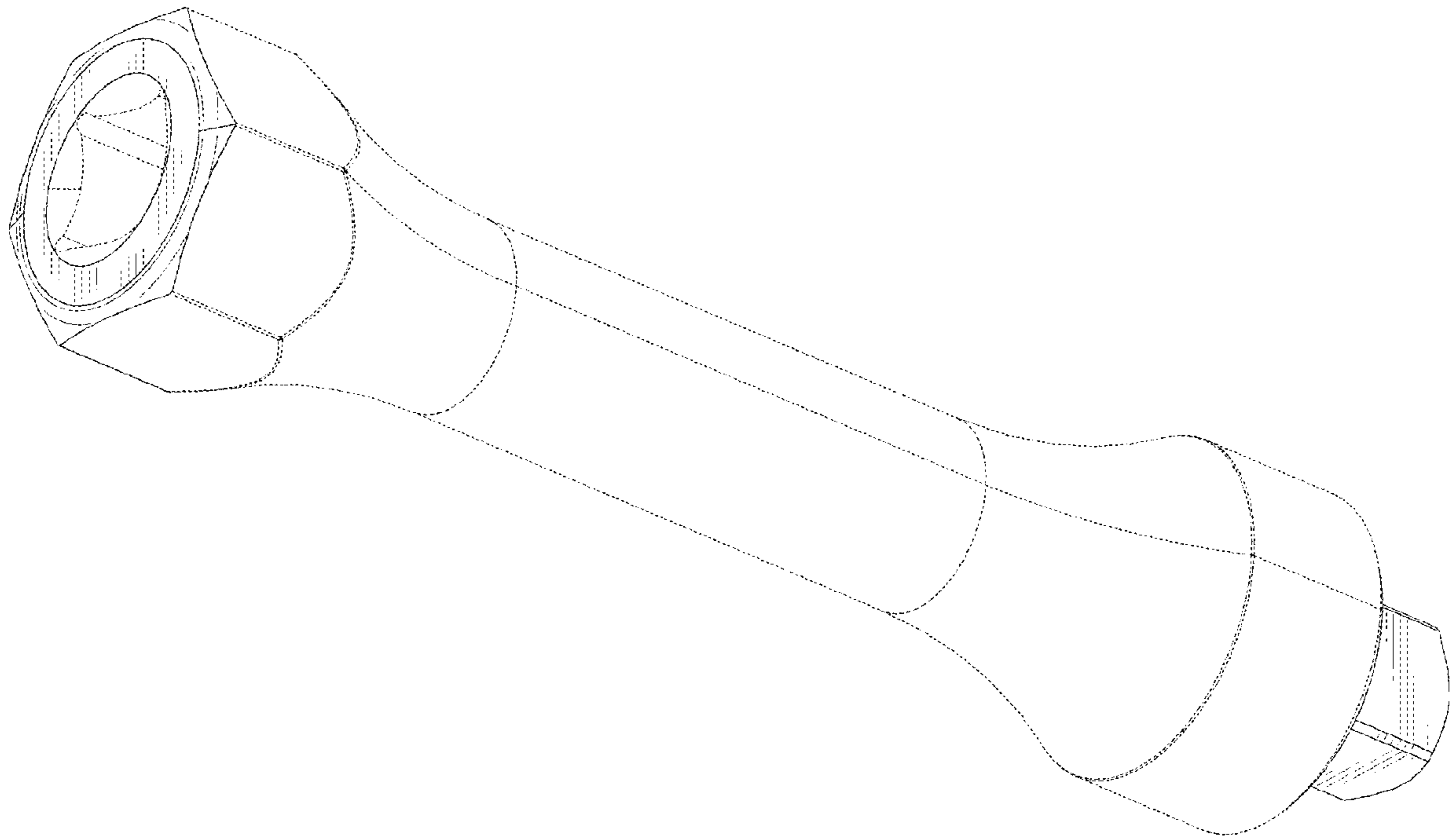


FIG. 2

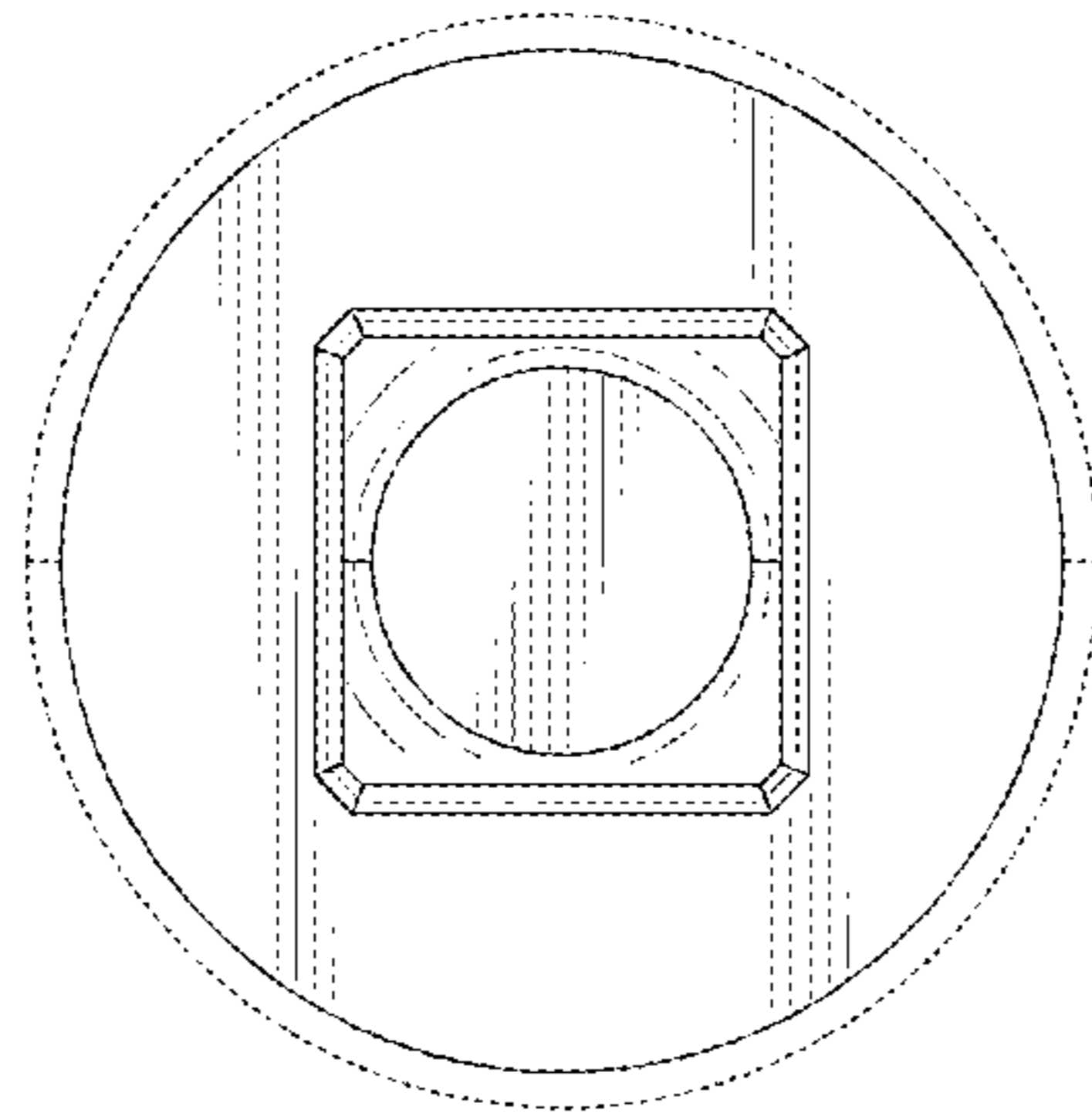


FIG. 3

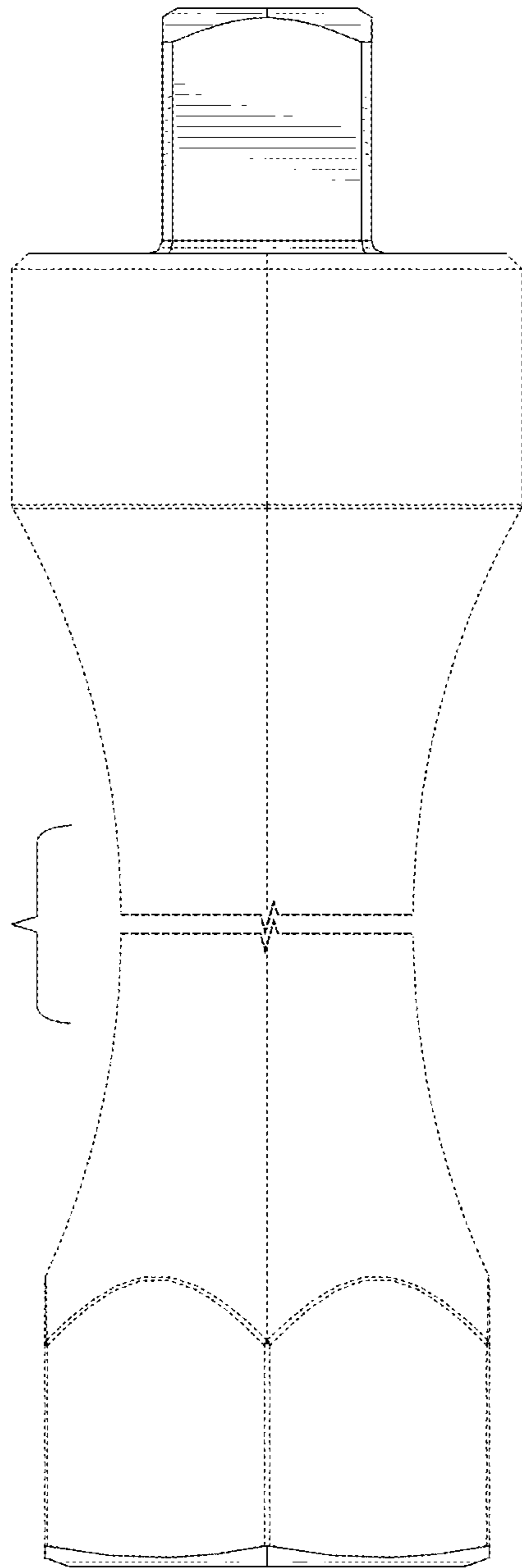


FIG. 4

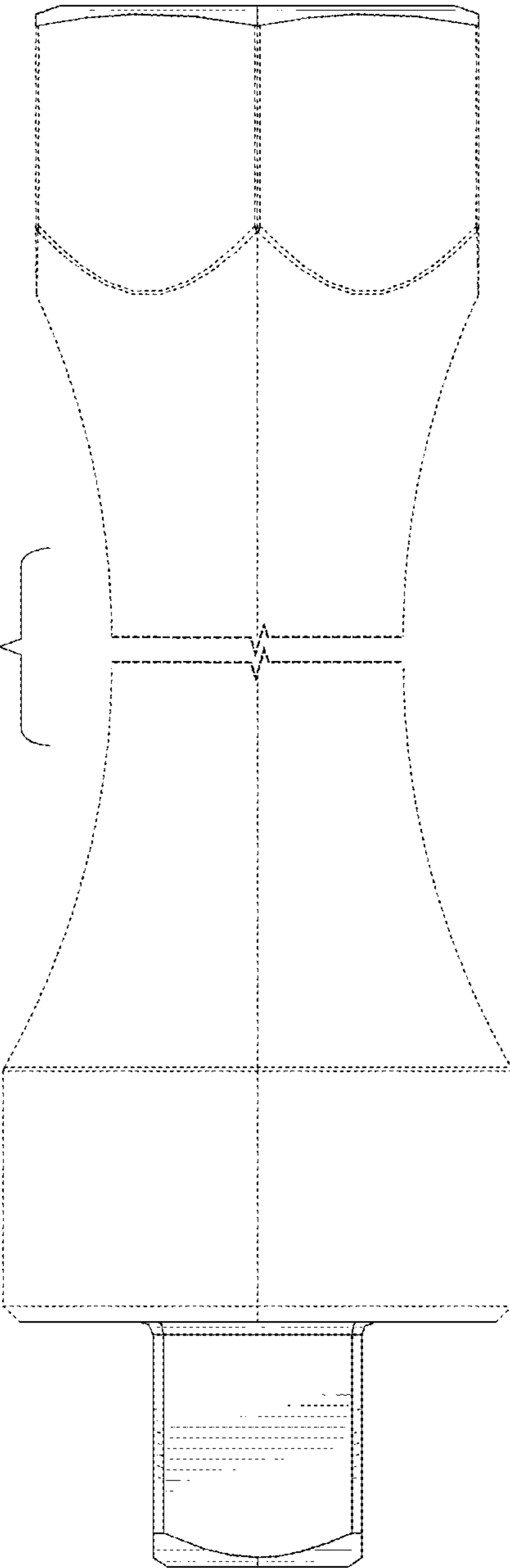


FIG. 5



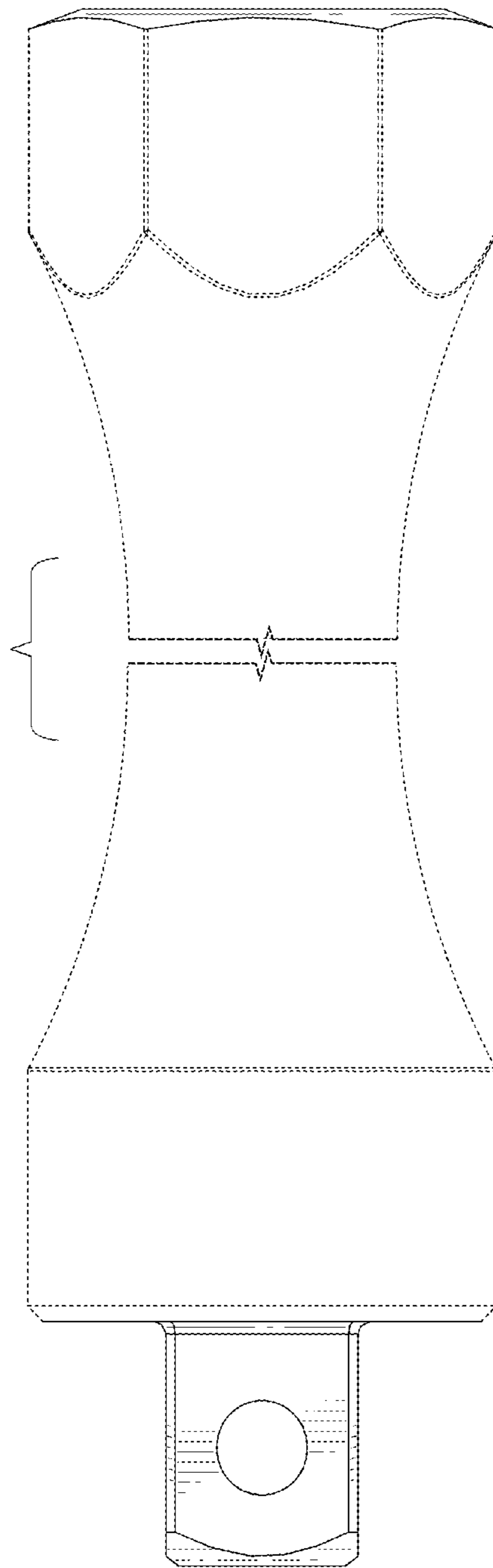


FIG. 6

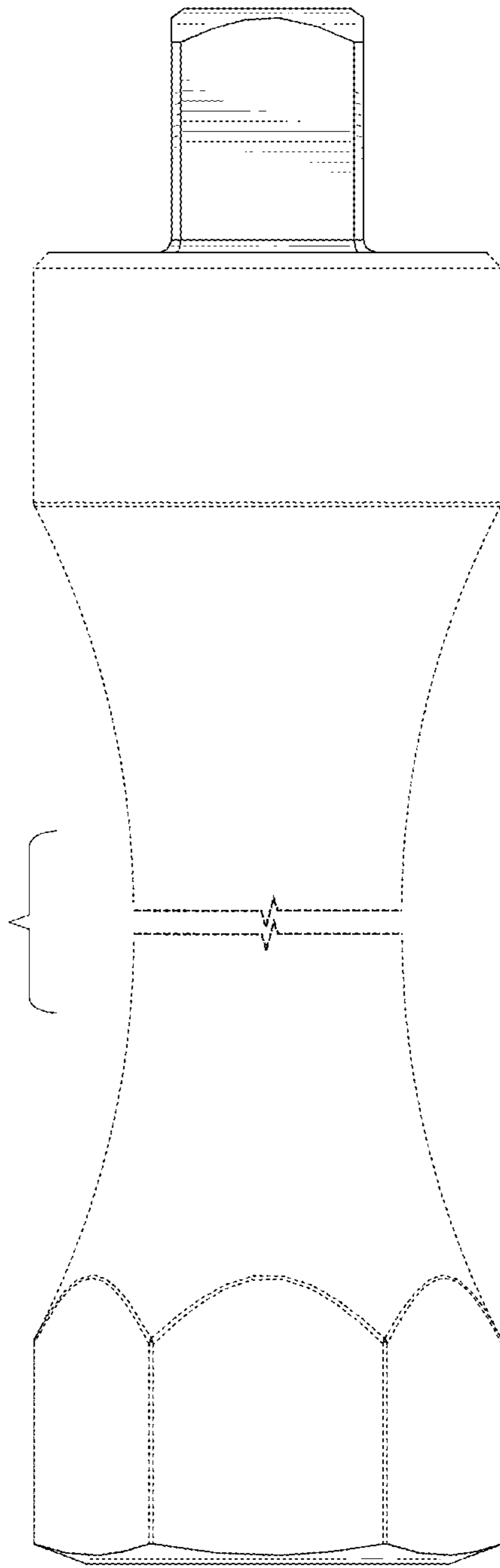


FIG. 7

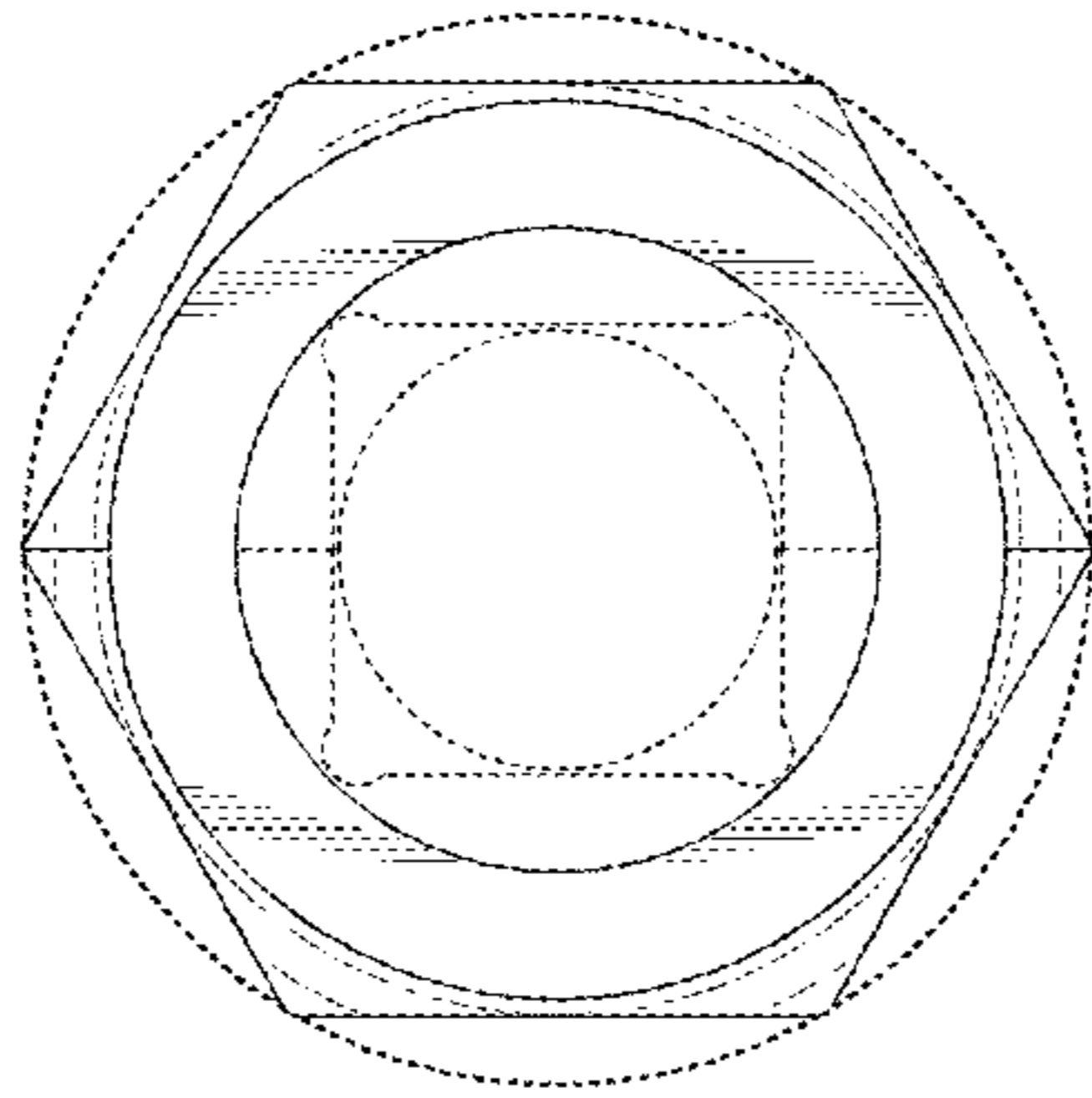


FIG. 8

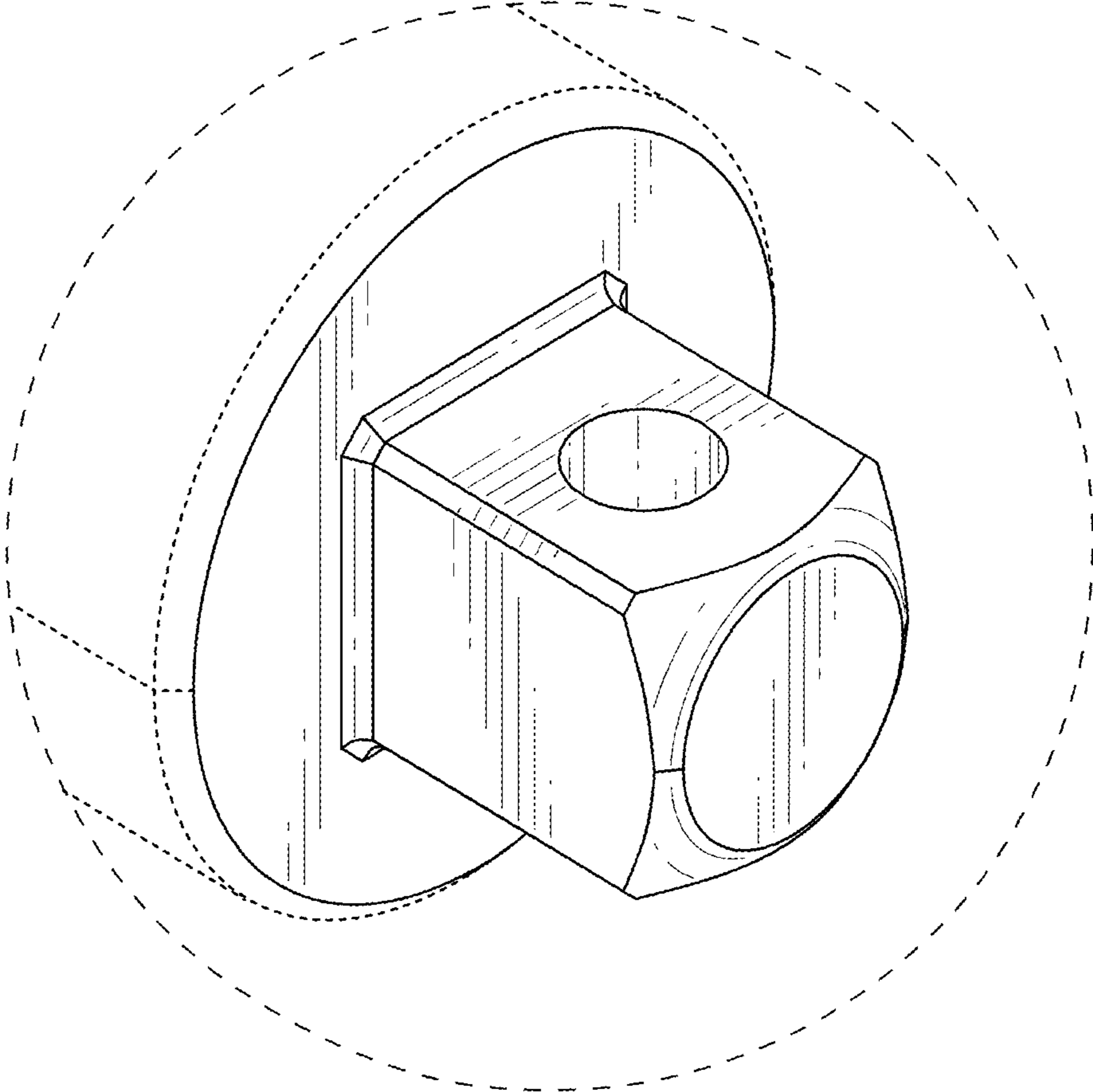


FIG. 9