



US0D1042037S

(12) **United States Design Patent**
Huang

(10) **Patent No.:** **US D1,042,037 S**

(45) **Date of Patent:** **** Sep. 17, 2024**

(54) **COFFEE CUP**

(71) Applicant: **Weizhen Huang**, Yancheng (CN)

(72) Inventor: **Weizhen Huang**, Yancheng (CN)

(73) Assignee: **Weizhen Huang**, Yancheng (CN)

(**) Term: **15 Years**

(21) Appl. No.: **29/880,967**

(22) Filed: **Jul. 30, 2023**

(51) **LOC (14) Cl.** **07-01**

(52) **U.S. Cl.**
USPC **D7/533**; D7/525

(58) **Field of Classification Search**
USPC D3/202; D7/392.1, 396.2, 507, 509, 510,
D7/511, 523, 531, 532, 534, 536;
D9/435, 436, 440, 449, 450
CPC A47G 19/2288; A47G 19/22; A47G
19/2205; A47G 19/221; A47G 19/2216;
A47G 19/2222; A47J 31/14; A47J 31/005
See application file for complete search history.

(56) **References Cited**

U.S. PATENT DOCUMENTS

D196,334 S	*	9/1963	Fibish	D7/523
D197,407 S	*	1/1964	Laughlin	D7/533
D199,749 S	*	12/1964	Schnur et al.	D7/533
D275,254 S	*	8/1984	Durand	D7/529
D316,209 S	*	4/1991	Lackovic	D7/533
D383,942 S	*	9/1997	Rench	D7/523
D449,963 S	*	11/2001	Neal	D7/523
D474,074 S	*	5/2003	Hou	D7/523
D479,950 S	*	9/2003	Lin	D7/523
D480,270 S	*	10/2003	Hou	D7/523
D554,434 S	*	11/2007	Morrison	D7/523
D584,568 S	*	1/2009	Gibbs	D7/523
D685,226 S	*	7/2013	Aylward	D7/533

D808,727 S	*	1/2018	Bo	D7/533
D831,428 S	*	10/2018	Gibson	D7/533
D951,027 S	*	5/2022	Barbi	D7/523
D953,118 S	*	5/2022	Carter	D7/533

FOREIGN PATENT DOCUMENTS

CN	307529995	*	9/2022
CN	307716821	*	12/2022
CN	307884765	*	3/2023
CN	307884847	*	3/2023
CN	308002902	*	4/2023
CN	308003004	*	4/2023

OTHER PUBLICATIONS

GLCK mug, Feb. 11, 2023, <https://www.amazon.com/Embossed-Shape-Large-Capacity-Ceramic-Coffee/dp/B0BVJMS5P4> (Year: 2023).*

(Continued)

Primary Examiner — Brett Miller
Assistant Examiner — Nader Abadir
(74) *Attorney, Agent, or Firm* — Nitin Kaushik

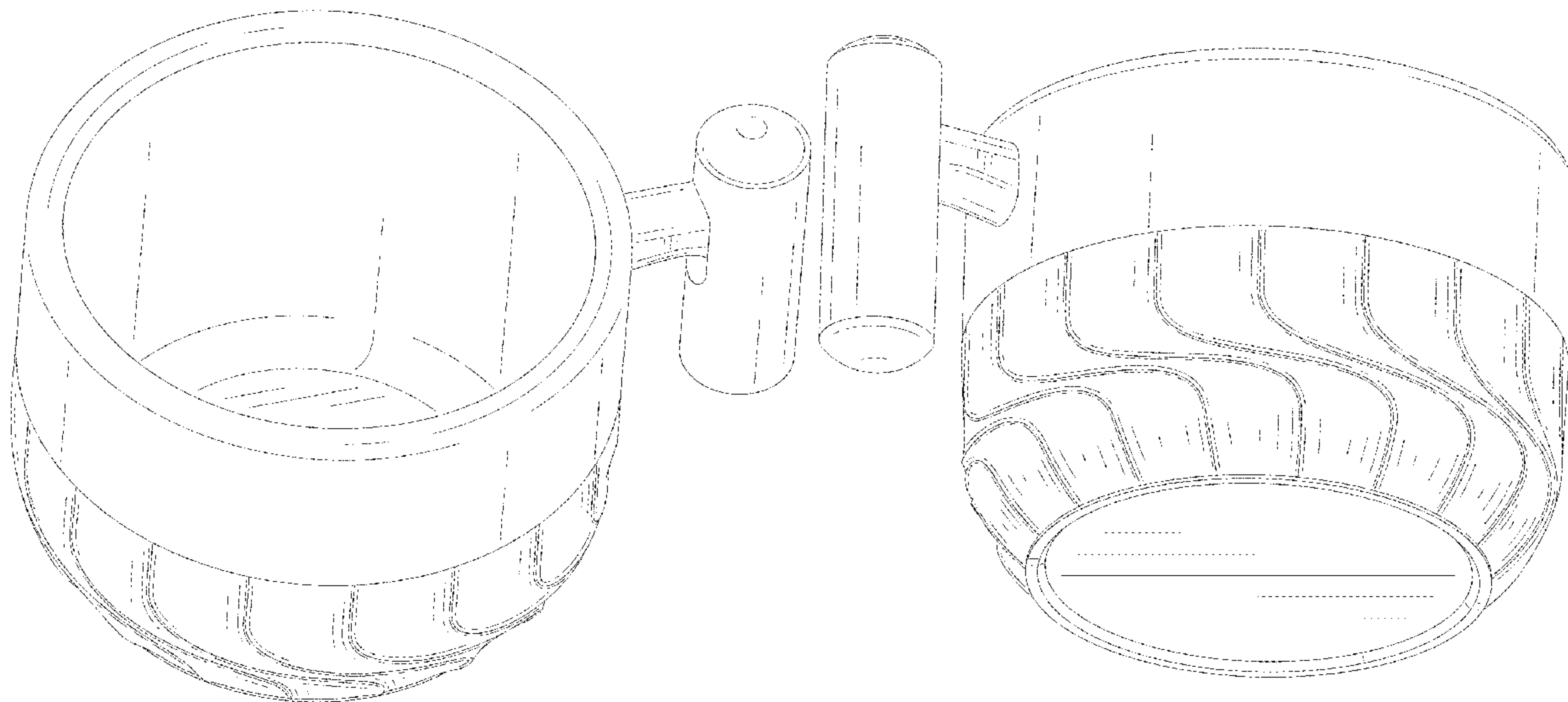
(57) **CLAIM**

The ornamental design for a coffee cup, as shown and described.

DESCRIPTION

FIG. 1 is a front perspective view of a coffee cup, showing my new design;
FIG. 2 is a rear perspective view thereof;
FIG. 3 is a front view thereof;
FIG. 4 is a rear view thereof;
FIG. 5 is a left side view thereof;
FIG. 6 is a right side view thereof;
FIG. 7 is a top view thereof; and,
FIG. 8 is a bottom view thereof.

1 Claim, 8 Drawing Sheets



(56)

References Cited

OTHER PUBLICATIONS

Suyika mug, Jul. 5, 2023, <https://www.amazon.com/suyika-Infuser-Embossed-Steeping-Gradient/dp/B0CB66M9FK/> (Year: 2023).*

Good Always mug, Apr. 23, 2021, <https://www.amazon.com/GOOD-ALWAYS-Ceramic-Christmas-Presents/dp/B095VLPT4Q/> (Year: 2021).*

Tang Pin mug, Sep. 9, 2020, <https://www.amazon.com/TANG-PIN-Handmade-Ceramic-Infuser/dp/B08HM168VS/> (Year: 2020).*

Wenshuo mug, Aug. 21, 2019, <https://www.amazon.com/Sandalwood-handle-Chinese-Ceramic-Infuser/dp/B07W21HNMY/> (Year: 2019).*

Comi mug, Apr. 16, 2021, <https://www.amazon.com/COMI-Capacity-Perfect-Cappuccino-Microwave/dp/B08TWBW5KG/> (Year: 2021).*

* cited by examiner

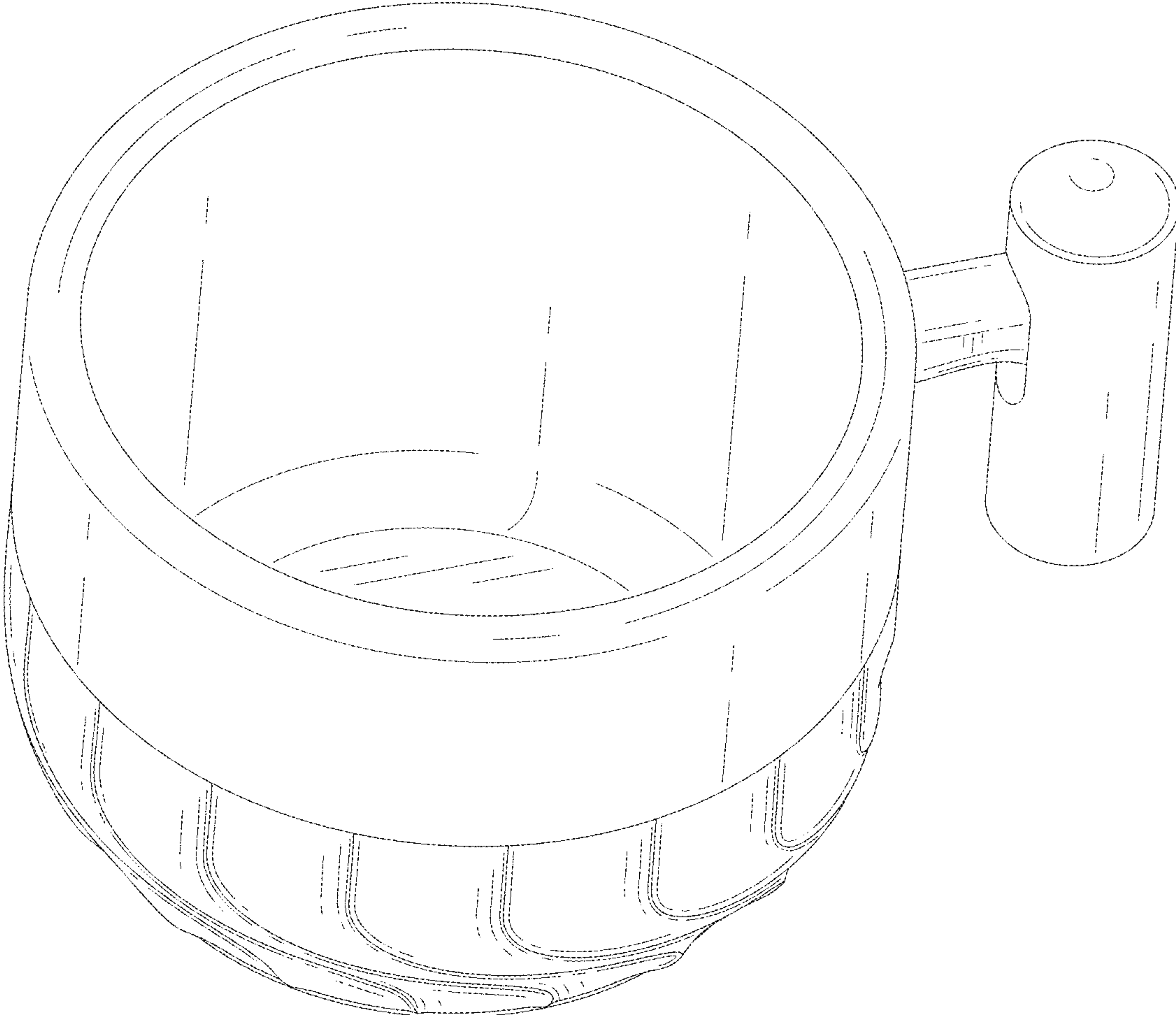


FIG. 1

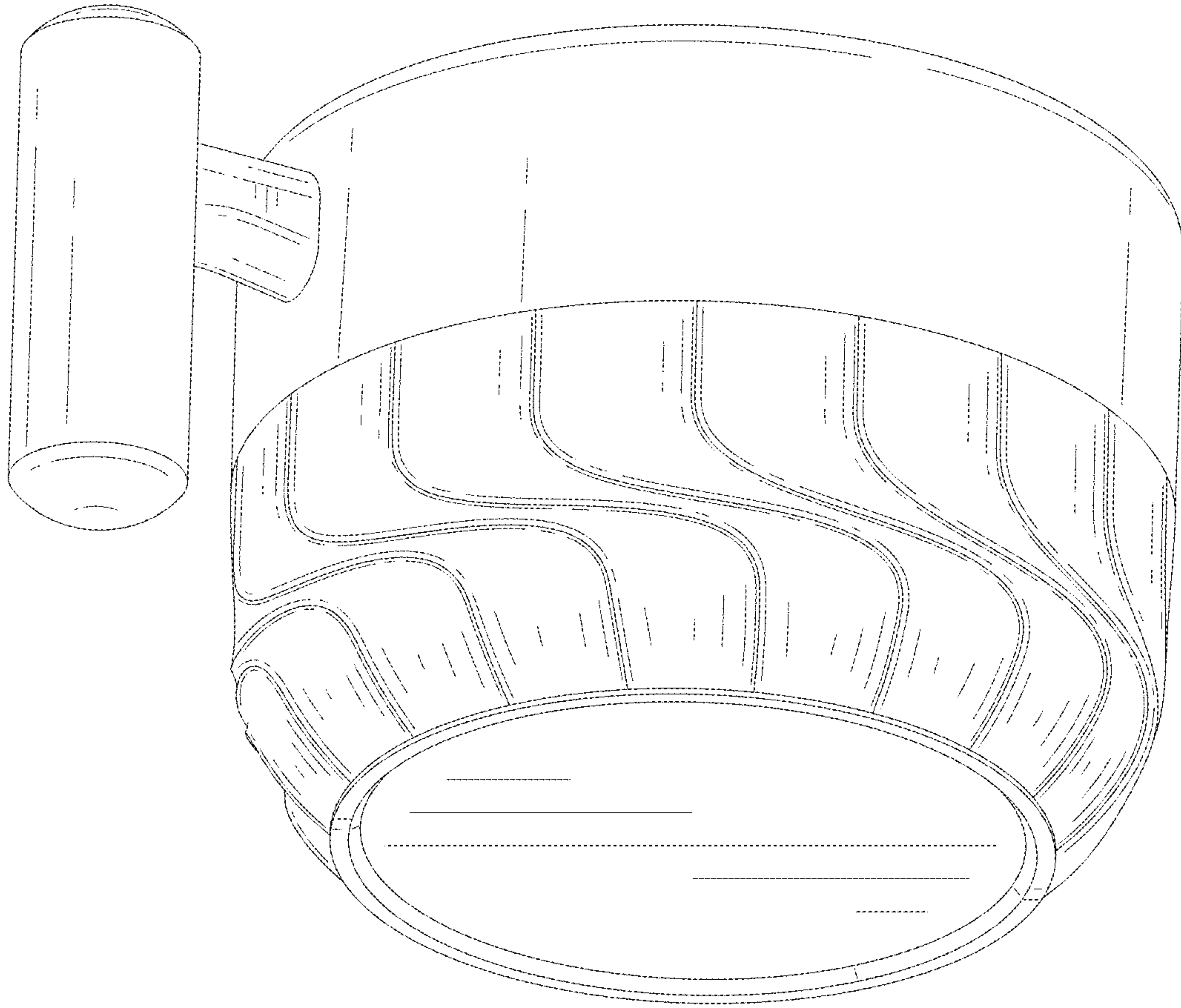


FIG. 2

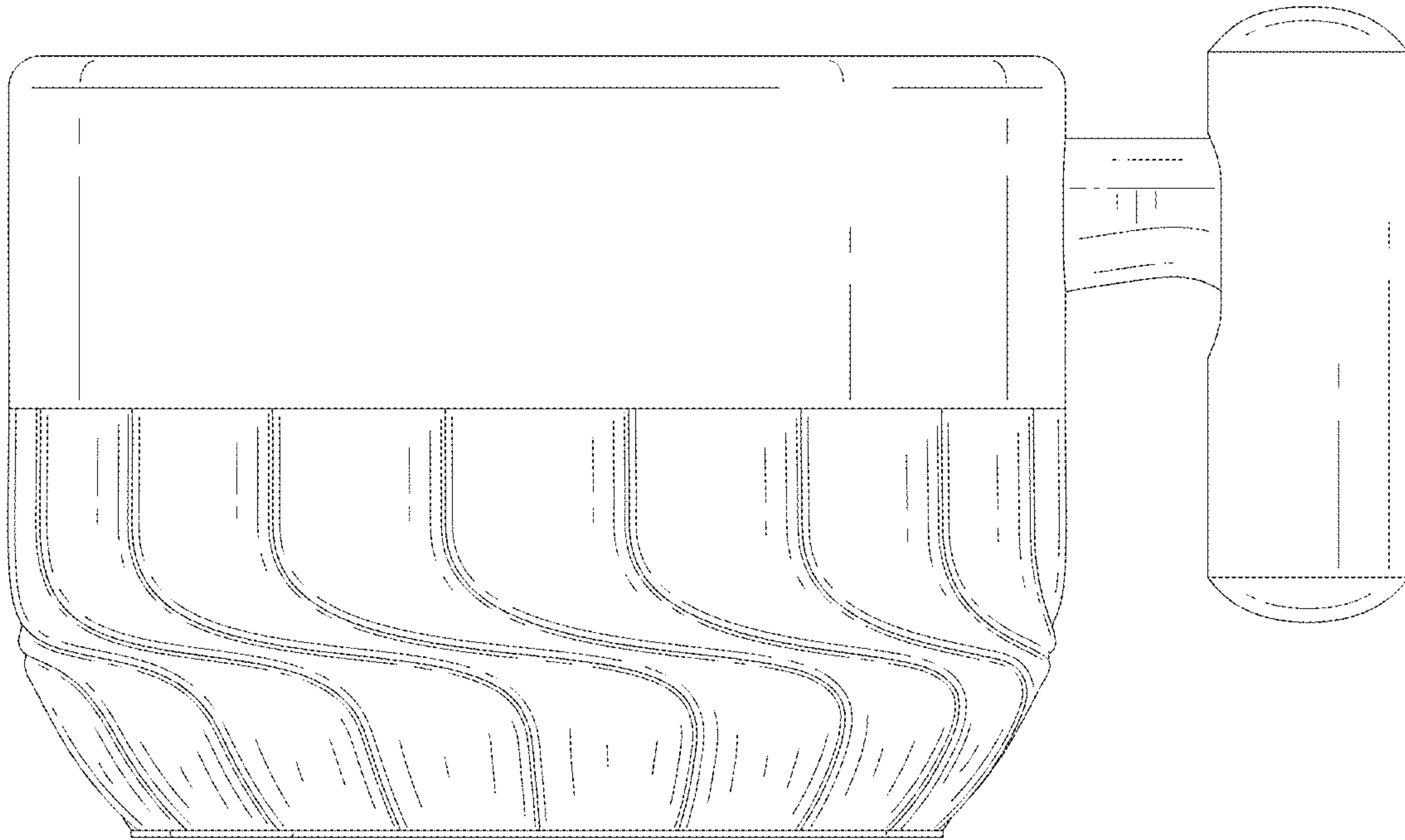


FIG. 3

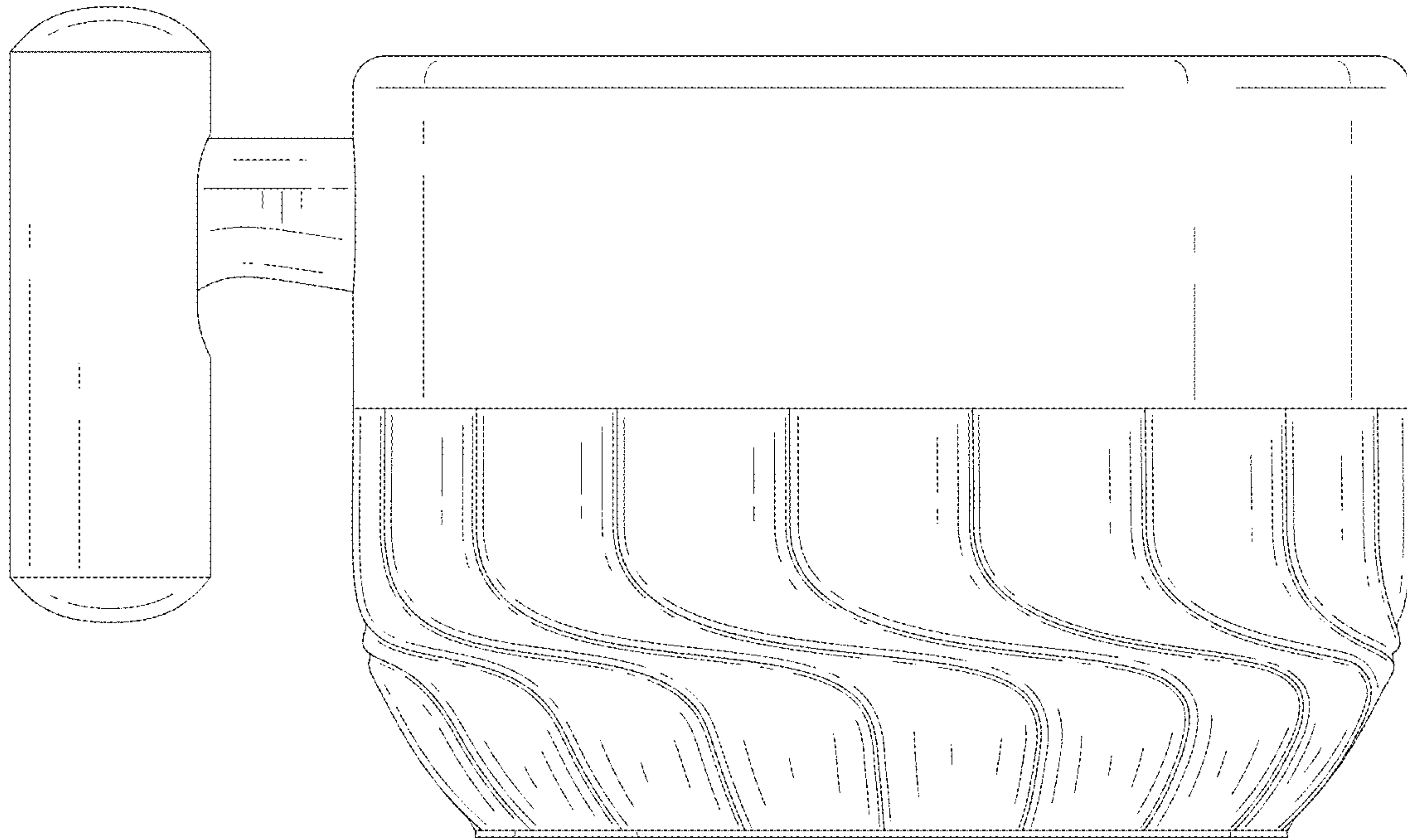


FIG. 4

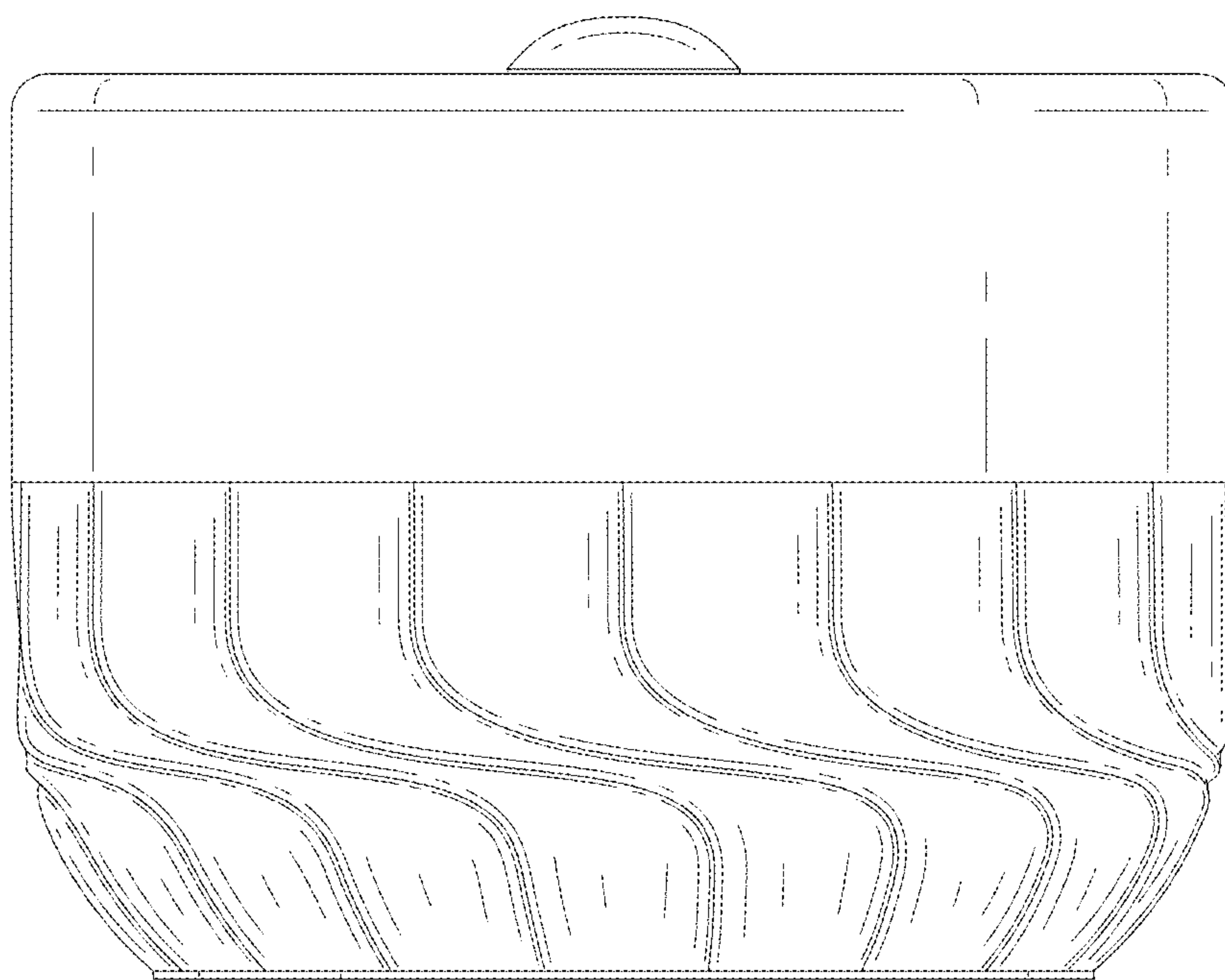


FIG. 5

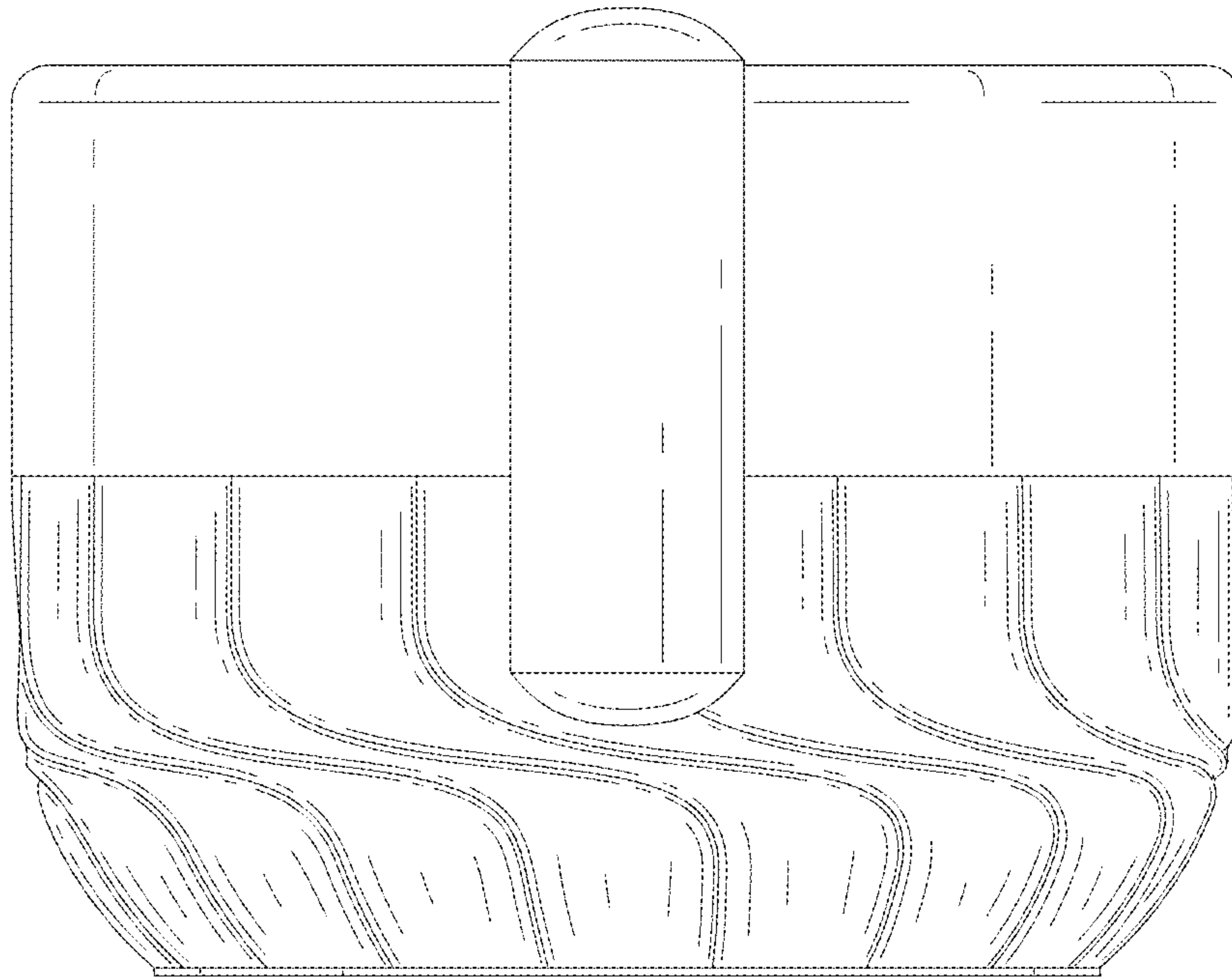


FIG. 6

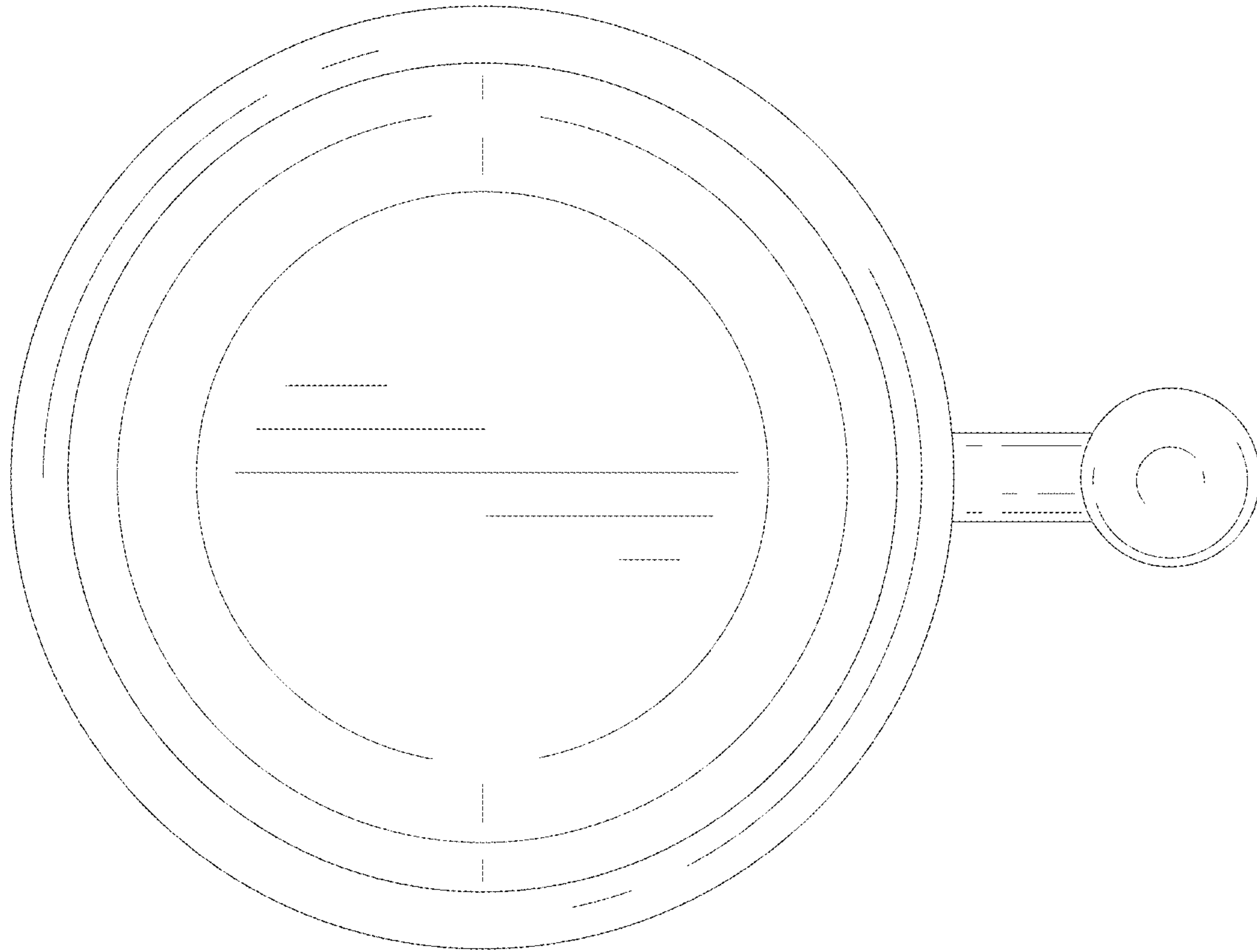


FIG. 7

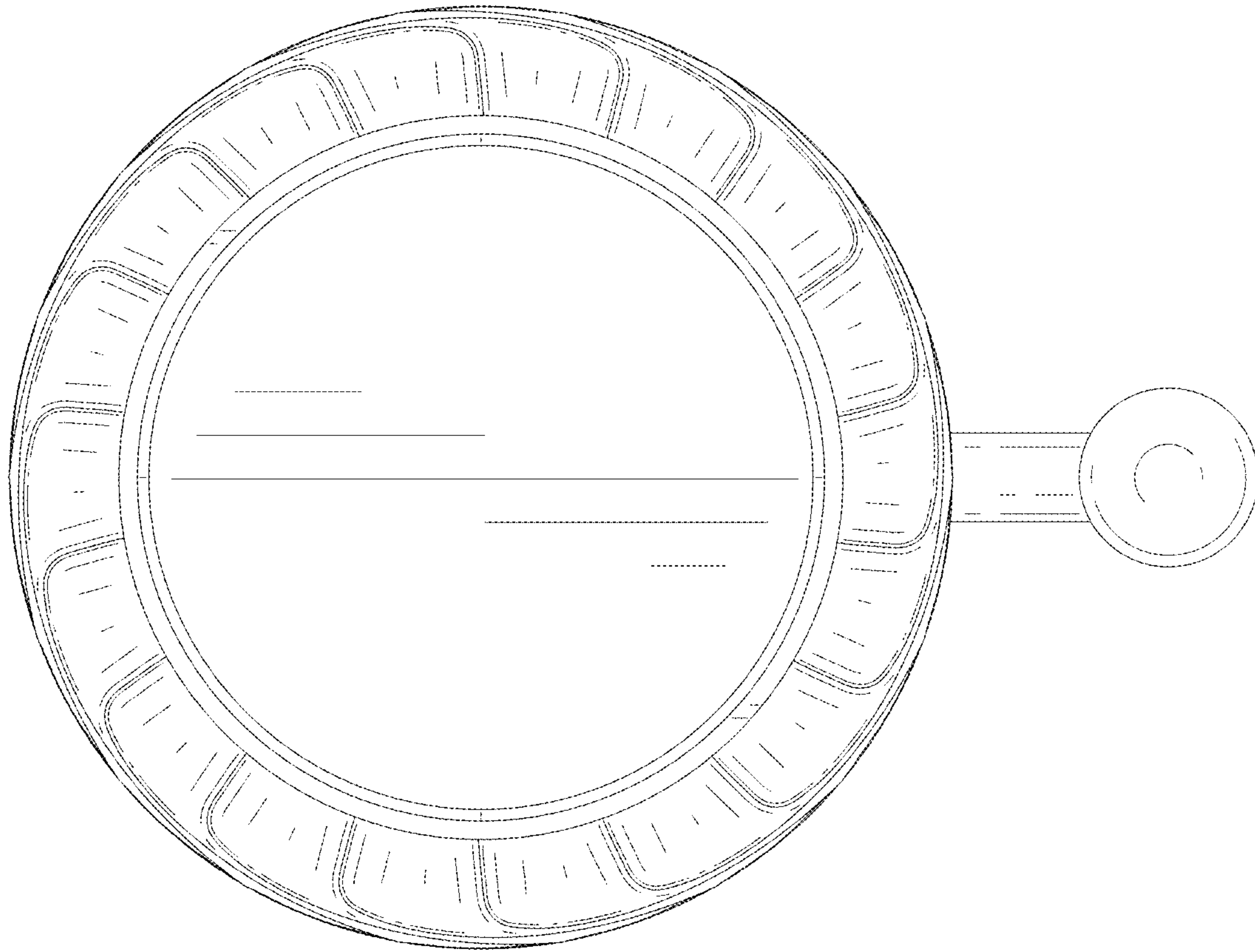


FIG. 8