



US0D1041943S

(12) **United States Design Patent** (10) **Patent No.:** **US D1,041,943 S**
Soltau (45) **Date of Patent:** **** Sep. 17, 2024**

(54) **TOILET PAPER HOUSING**

FOREIGN PATENT DOCUMENTS

(71) Applicant: **Samantha Jane Soltau**, Venice, CA
(US)

IL 61536 * 1/2020
JP D1751445 * 8/2023
KR 300615994.0000 * 10/2011
KR 301186200.0000 * 10/2022

(72) Inventor: **Samantha Jane Soltau**, Venice, CA
(US)

OTHER PUBLICATIONS

(73) Assignee: **HC SYSTEMS, INC.**, Wilmington, DE
(US)

Forious Recessed Toilet Paper Holder, posted Aug. 1, 2020 [online],
[retrieved Apr. 11, 2024]. Retrieved from internet, <https://www.amazon.com/FORIOUS-Recessed-Toilet-Holder-Brushed/dp/B08CSBQ9G2> (Year: 2020).*

(**) Term: **15 Years**

(Continued)

(21) Appl. No.: **29/838,358**

(22) Filed: **May 12, 2022**

Primary Examiner — Cynthia Ramirez

(51) **LOC (14) Cl.** **23-08**

Assistant Examiner — Jeremy S. Swartz

(52) **U.S. Cl.**
USPC **D6/523**

(74) *Attorney, Agent, or Firm* — **MERCHANT & GOULD P.C.**

(58) **Field of Classification Search**
USPC D6/523, 512, 515, 517, 518, 520, 522,
D6/524, 542–545; D7/306, 312, 313,
D7/322, 397, 398; D23/207, 208, 234,
D23/366

(57) **CLAIM**

CPC A47K 10/16; A47K 10/32; A47K 10/34;
A47K 10/424; A47K 10/3827; A47K
2010/3286; A47K 2201/00

The ornamental design for a toilet paper housing, as shown
and described.

See application file for complete search history.

DESCRIPTION

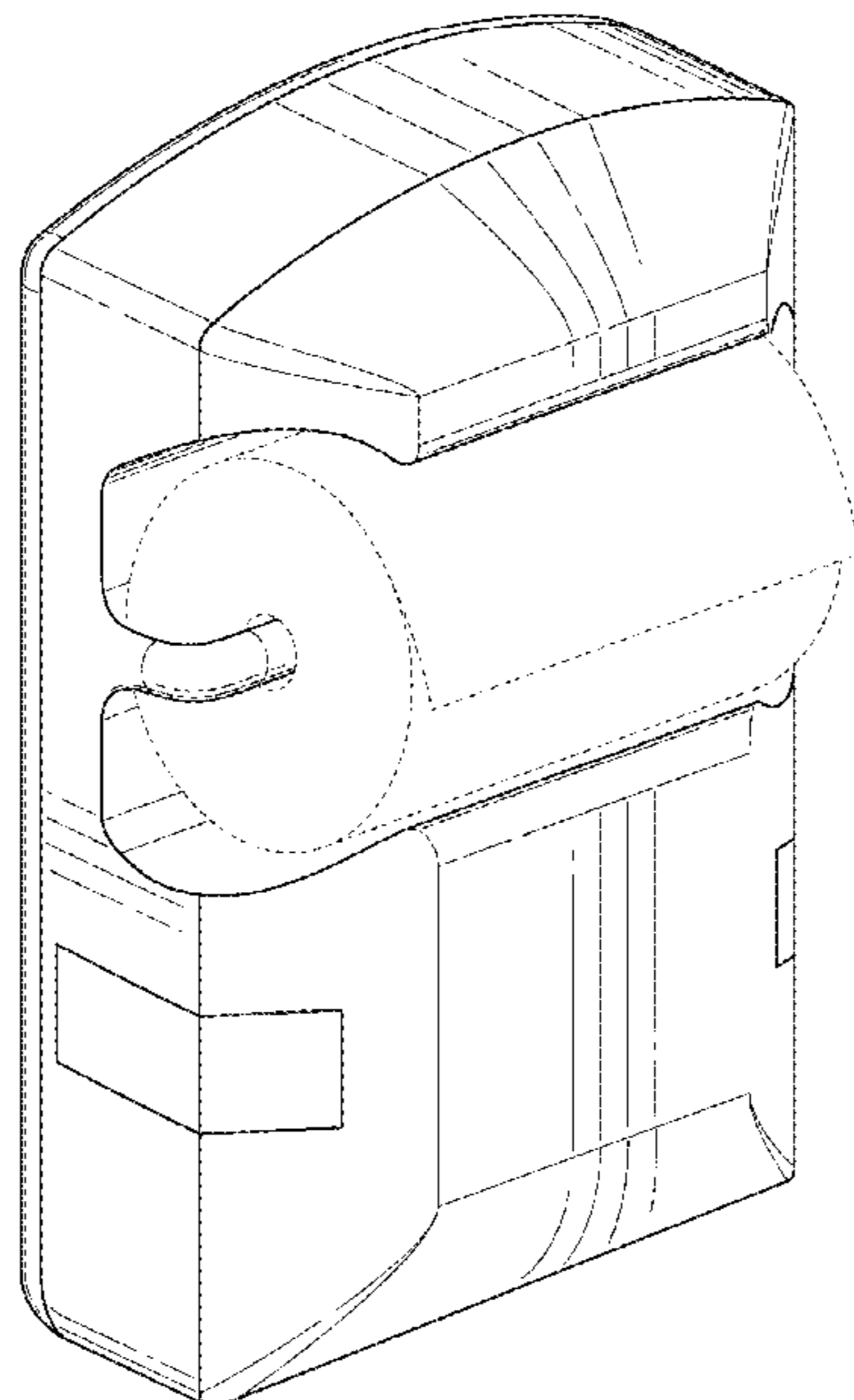
(56) **References Cited**

FIG. 1 is a top perspective view of a toilet paper housing
showing my new design;
FIG. 2 is a front view thereof;
FIG. 3 is a rear view thereof;
FIG. 4 is a left side view thereof;
FIG. 5 is a right side view thereof;
FIG. 6 is a top plan view thereof; and,
FIG. 7 is a bottom plan view thereof.
The toilet paper roll shown in dash lines forms no part of the
claimed design.

U.S. PATENT DOCUMENTS

D305,488 S * 1/1990 Korpijaako D6/523
D421,690 S * 3/2000 Sutherland D6/520
D983,557 S * 4/2023 Orban D6/523
D1,002,226 S * 10/2023 Orban D6/520
D1,011,074 S * 1/2024 Chalko D6/523
D1,013,407 S * 2/2024 Holzmann D6/523
2003/0019898 A1 * 1/2003 Ito A47K 10/38
225/6
2022/0361722 A1 * 11/2022 Soltau A61L 2/10

1 Claim, 7 Drawing Sheets



(56)

References Cited

OTHER PUBLICATIONS

Kaiseraum Recessed Toilet Paper Holder, posted May 18, 2020 [online], [retrieved Apr. 11, 2024]. Retrieved from internet, <https://www.amazon.com/KAISERAUM-Recessed-Toilet-Multi-Functional-GP-014TC/dp/B089ZPDDF7> (Year: 2020).*

Beruyu Self Adhesive Toilet Paper Holder, posted May 17, 2023 [online], [retrieved Apr. 11, 2024]. Retrieved from internet, <https://www.amazon.com/Beruyu-Adhesive-Waterproof-Bathroom-Washroom/dp/B0C5JXMVDC> (Year: 2023).*

Double Roll Toilet Tissue Dispenser, posted unknown [online], [retrieved Apr. 11, 2024]. Retrieved from internet, <https://www.uline.com/Product/Detail/H-1172/Toilet-Paper-and-Dispensers/Double-Roll-Toilet-Tissue-Dispenser-Plastic> (Year: 2024).*

HC Systems Inc. Project Oho Gen 1, posted Feb. 27, 2024 [online], [retrieved Apr. 11, 2024]. Retrieved from internet, https://www.youtube.com/watch?v=eFNbnv4j_X4 (Year: 2024).*

* cited by examiner

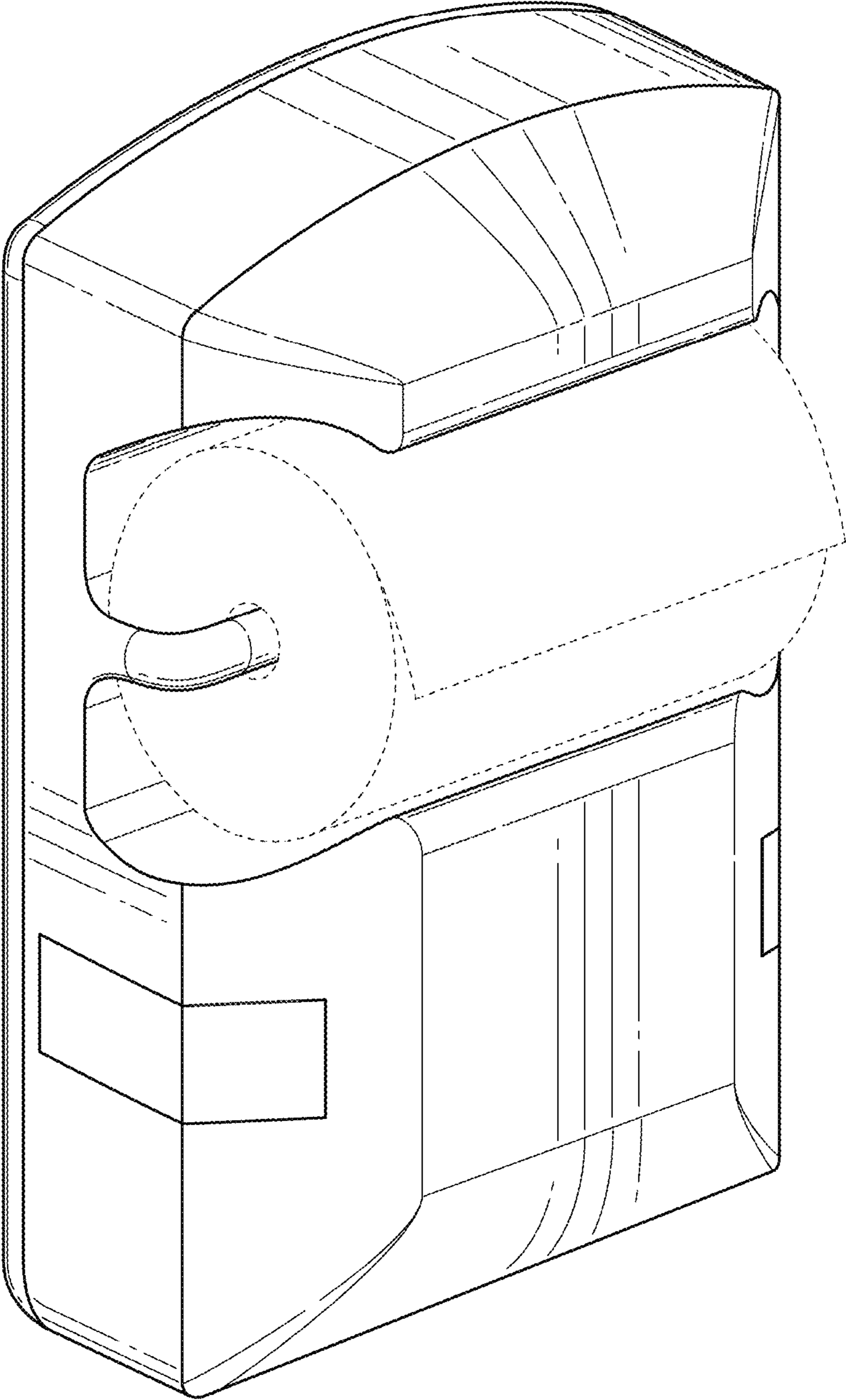


FIG. 1

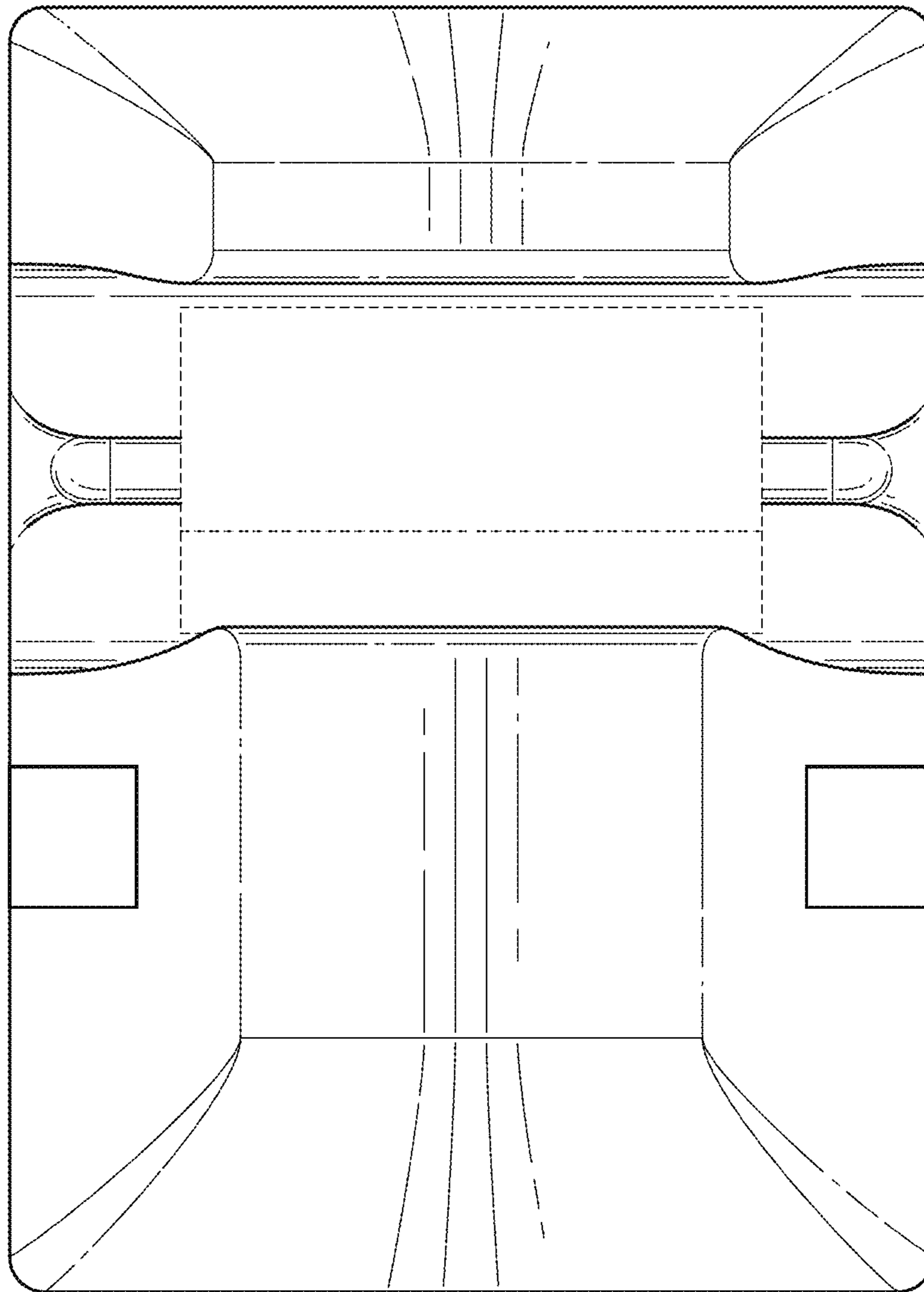


FIG. 2

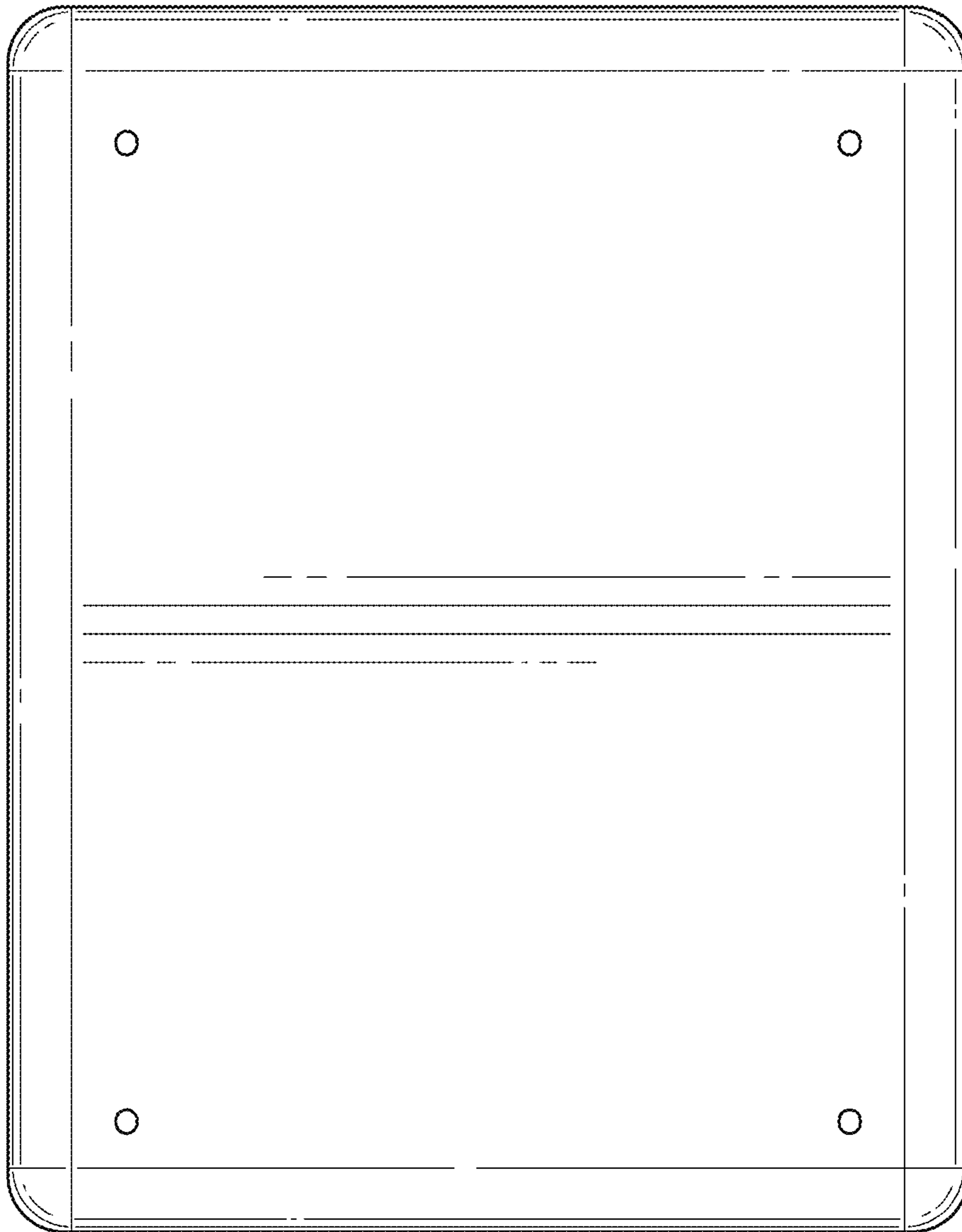


FIG. 3

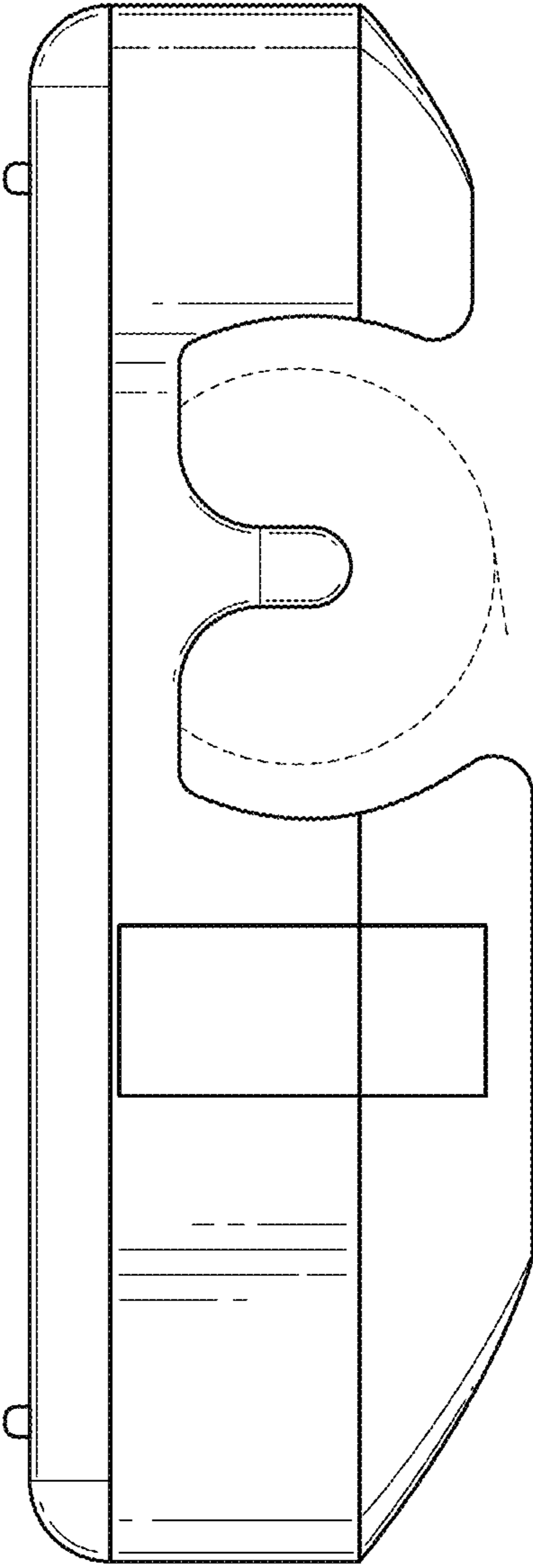


FIG. 4

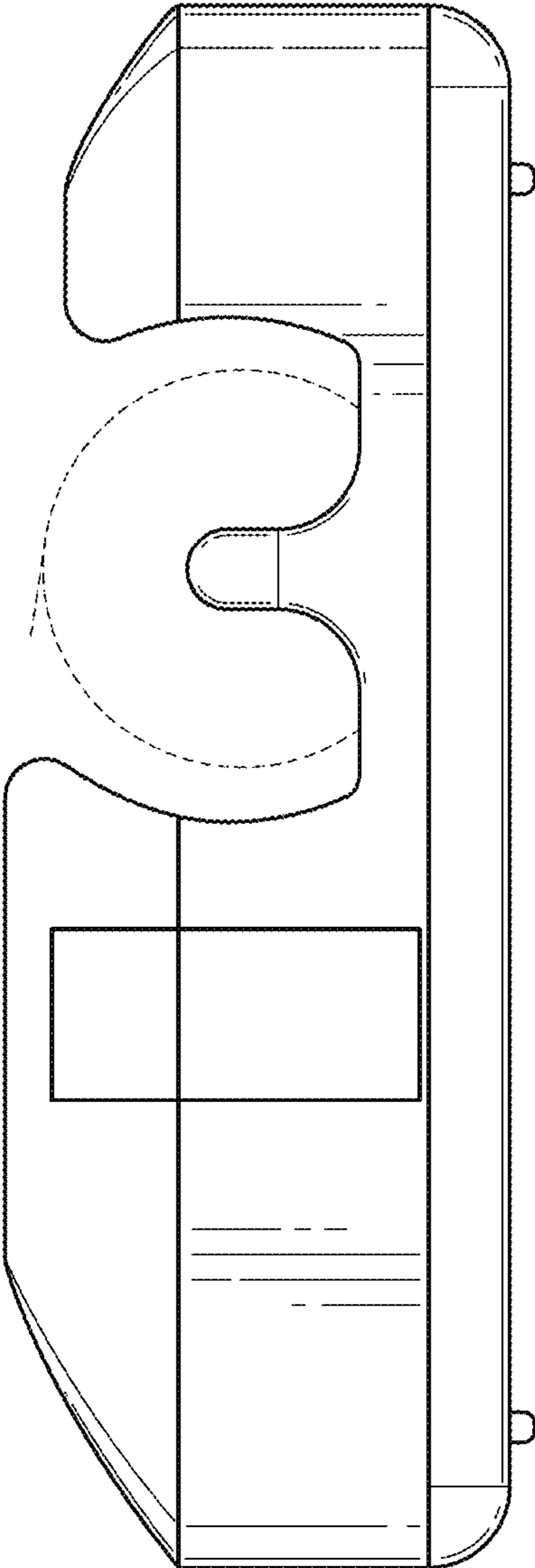


FIG. 5

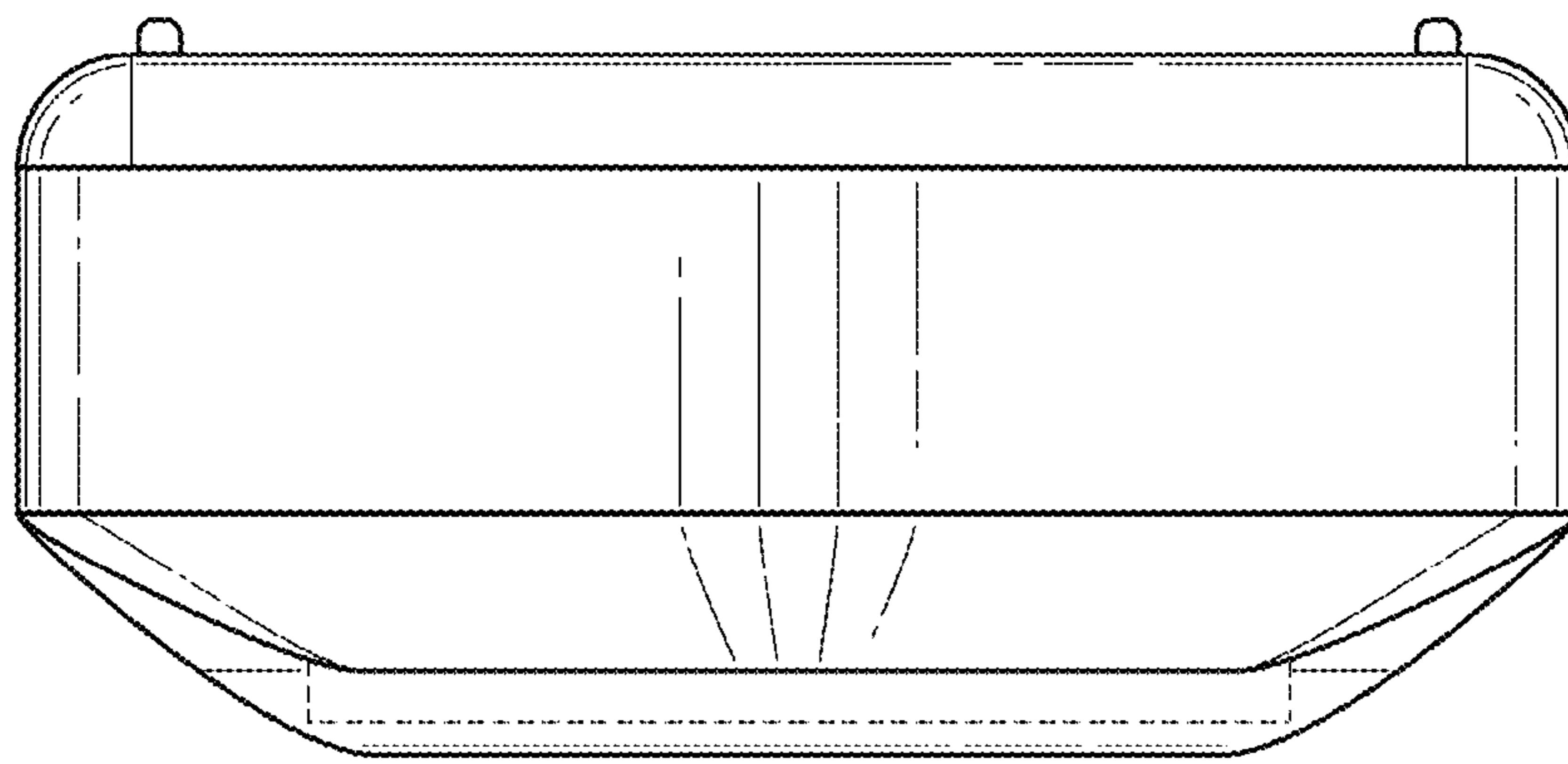


FIG. 6

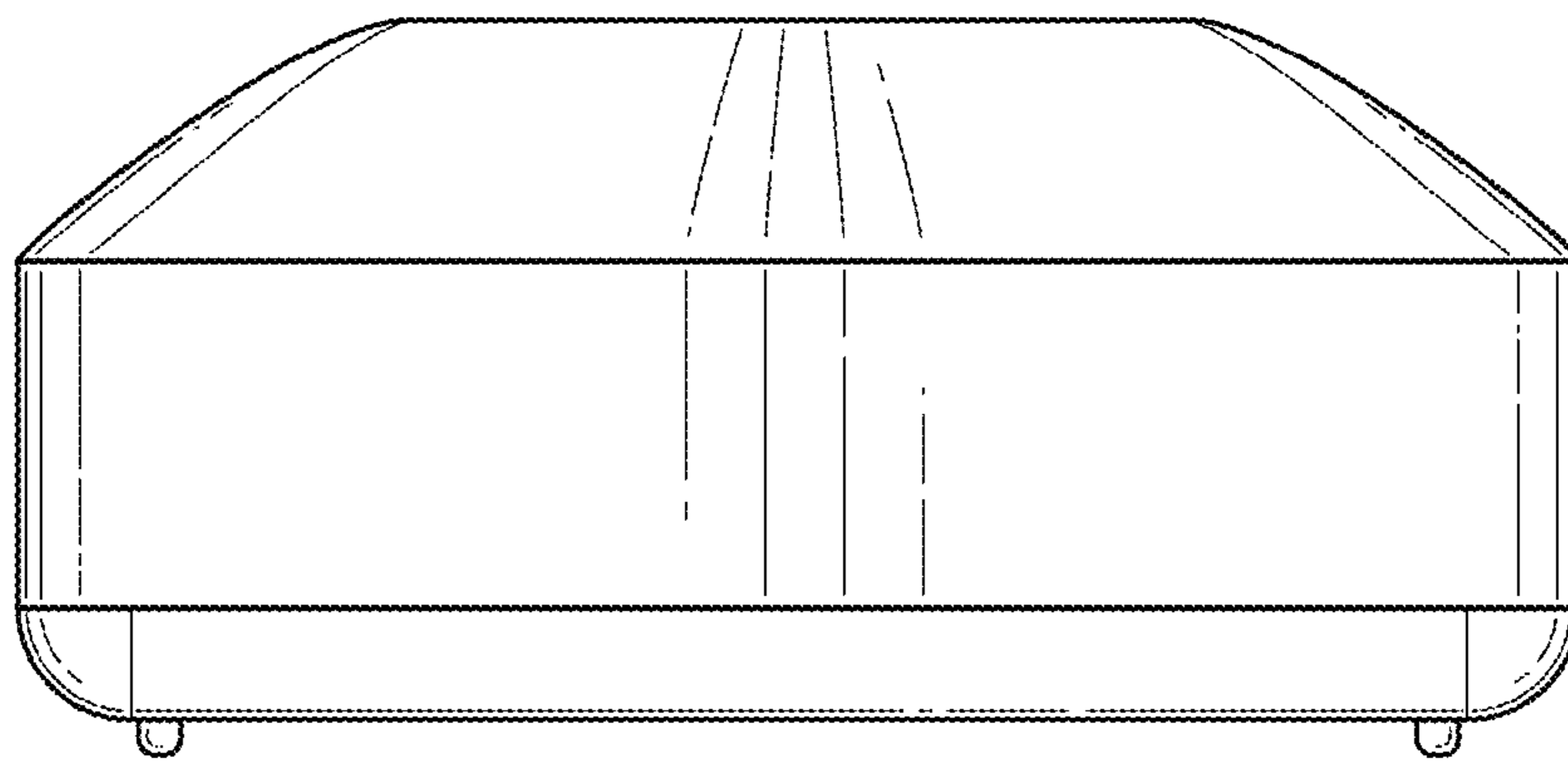


FIG. 7