



US0D1041806S

(12) **United States Design Patent**
Massey

(10) **Patent No.:** **US D1,041,806 S**

(45) **Date of Patent:** **** Sep. 17, 2024**

(54) **CAP**

(71) Applicant: **Michael Massey**, Indianapolis, IN (US)

(72) Inventor: **Michael Massey**, Indianapolis, IN (US)

(**) Term: **15 Years**

(21) Appl. No.: **29/770,809**

(22) Filed: **Feb. 17, 2021**

(51) **LOC (14) Cl.** **02-03**

(52) **U.S. Cl.**
USPC **D2/882**

(58) **Field of Classification Search**
USPC D2/865, 866, 872, 873, 875, 876, 879,
D2/882, 884, 886, 890
CPC A42B 1/00; A42B 1/02; A42B 1/04; A42B
1/041; A42B 1/06; A42B 1/18; A42B
1/201; A42B 1/206; A42B 1/22; A42B
1/225; A42B 1/242; A42B 1/247; A42B
1/248; A42C 5/00

See application file for complete search history.

(56) **References Cited**

U.S. PATENT DOCUMENTS

1,269,594 A	6/1918	Geraghty	
D135,146 S *	3/1943	Maxwell et al.	D2/882
D186,868 S *	12/1959	De Grazia	D2/882
3,910,292 A	10/1975	Izzo	
5,303,427 A	4/1994	Fishbain	
5,367,713 A	11/1994	McCallum	
6,167,569 B1	1/2001	Conner, IV	
D507,860 S	8/2005	Terry	
D629,194 S	12/2010	Mitchell	
D672,119 S *	12/2012	Mayleben	D2/882
D673,352 S *	1/2013	Robinson	D2/876
D697,288 S *	1/2014	Pearson	D2/882

D711,631 S *	8/2014	Gomes	D2/882
D793,038 S *	8/2017	Freeman	D2/882
D794,283 S *	8/2017	Lacy	D2/882
D809,748 S *	2/2018	Fleming	D2/882
D888,378 S *	6/2020	Lazarus	D2/882
D985,239 S *	5/2023	Owen	D2/882
D999,388 S *	9/2023	Ansari	D2/882
D1,002,153 S *	10/2023	Castro	D2/884
2006/0212993 A1	9/2006	Wang	
2013/0212777 A1	8/2013	Leon	

FOREIGN PATENT DOCUMENTS

GB 2361411 10/2001

* cited by examiner

Primary Examiner — Jasmine Mlinarcik

(57) **CLAIM**

The ornamental design for a cap, as shown and described.

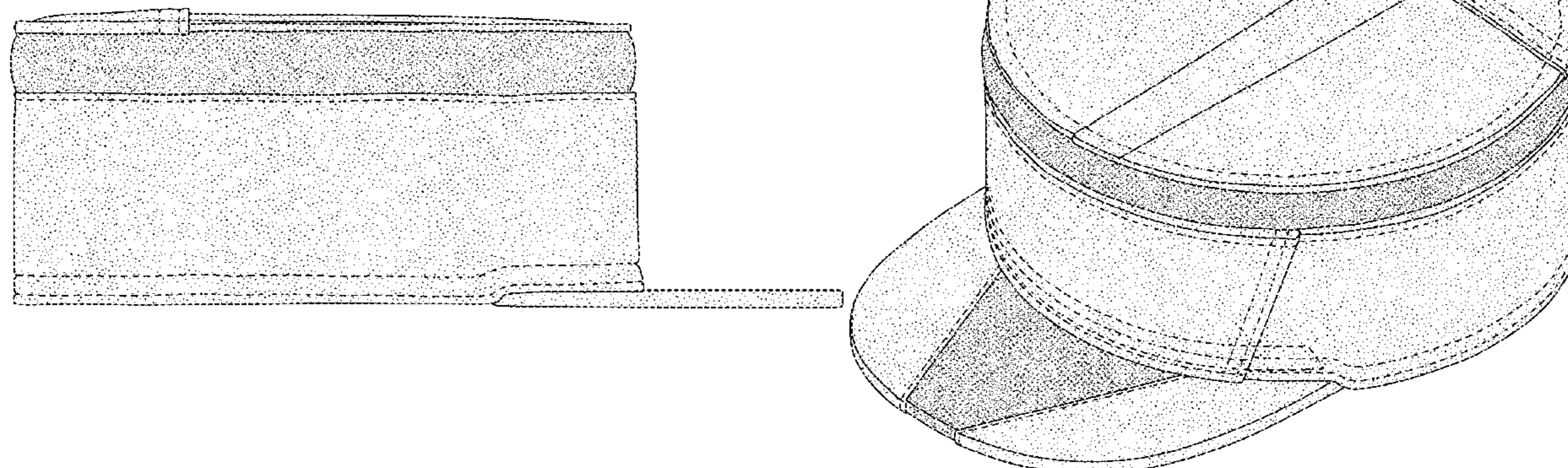
DESCRIPTION

FIG. 1 is a top view of a cap showing my new design;
FIG. 2 is a bottom view of the cap;
FIG. 3 is a front view of the cap;
FIG. 4 is a rear view of the cap;
FIG. 5 is a right side view of the cap;
FIG. 6 is a left side view of the cap; and,
FIG. 7 is a top front side perspective view of the cap.

The long-dashed broken lines define portions of the cap that form no part of the claimed design. The short-dashed broken lines depict claimed stitching of the cap.

The various densities of the applied stippling techniques along the surfaces of the cap represent a contrast in appearance and do not illustrate a particular material, surface ornamentation, or surface decoration.

1 Claim, 6 Drawing Sheets



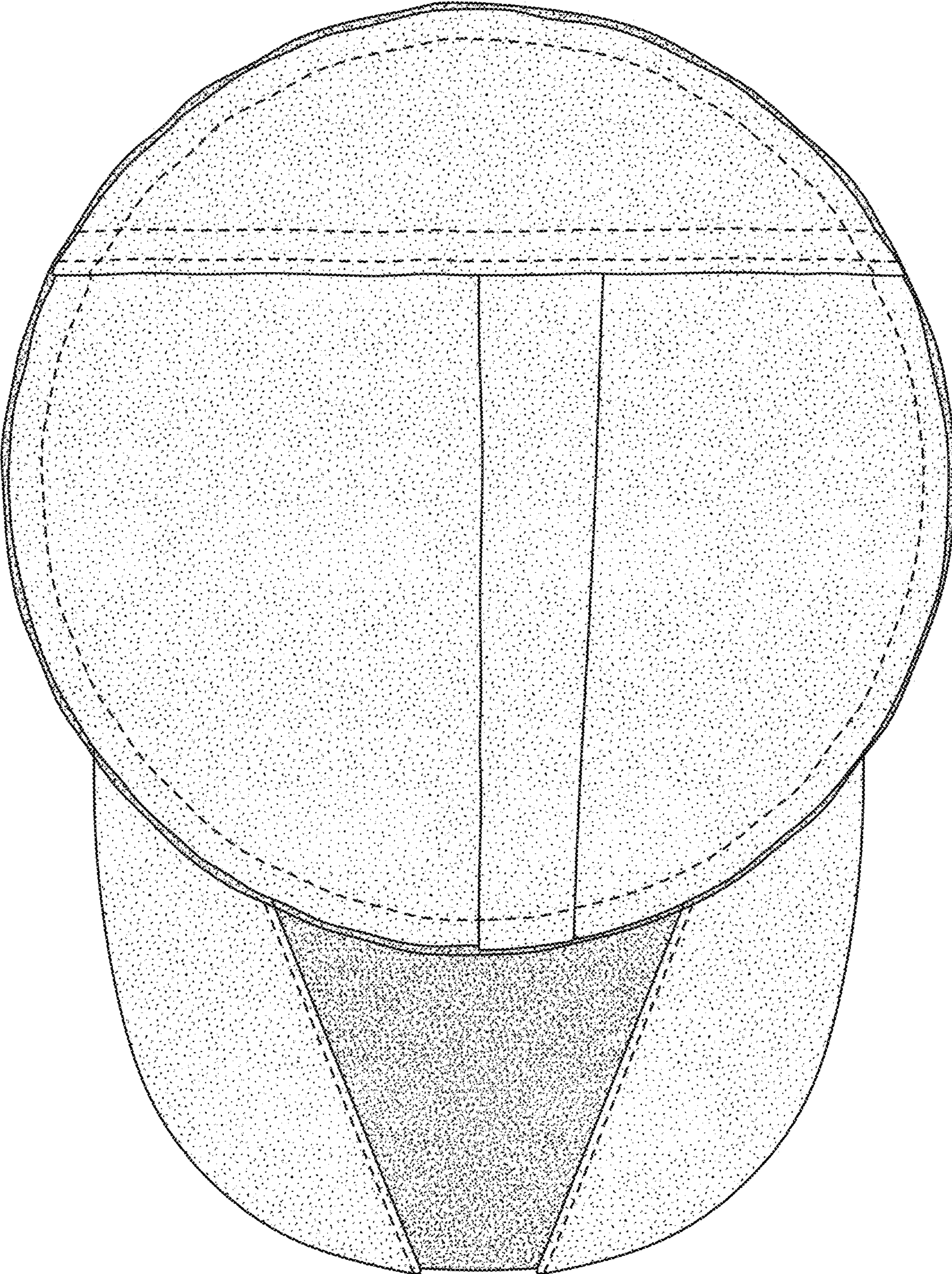


FIG. 1

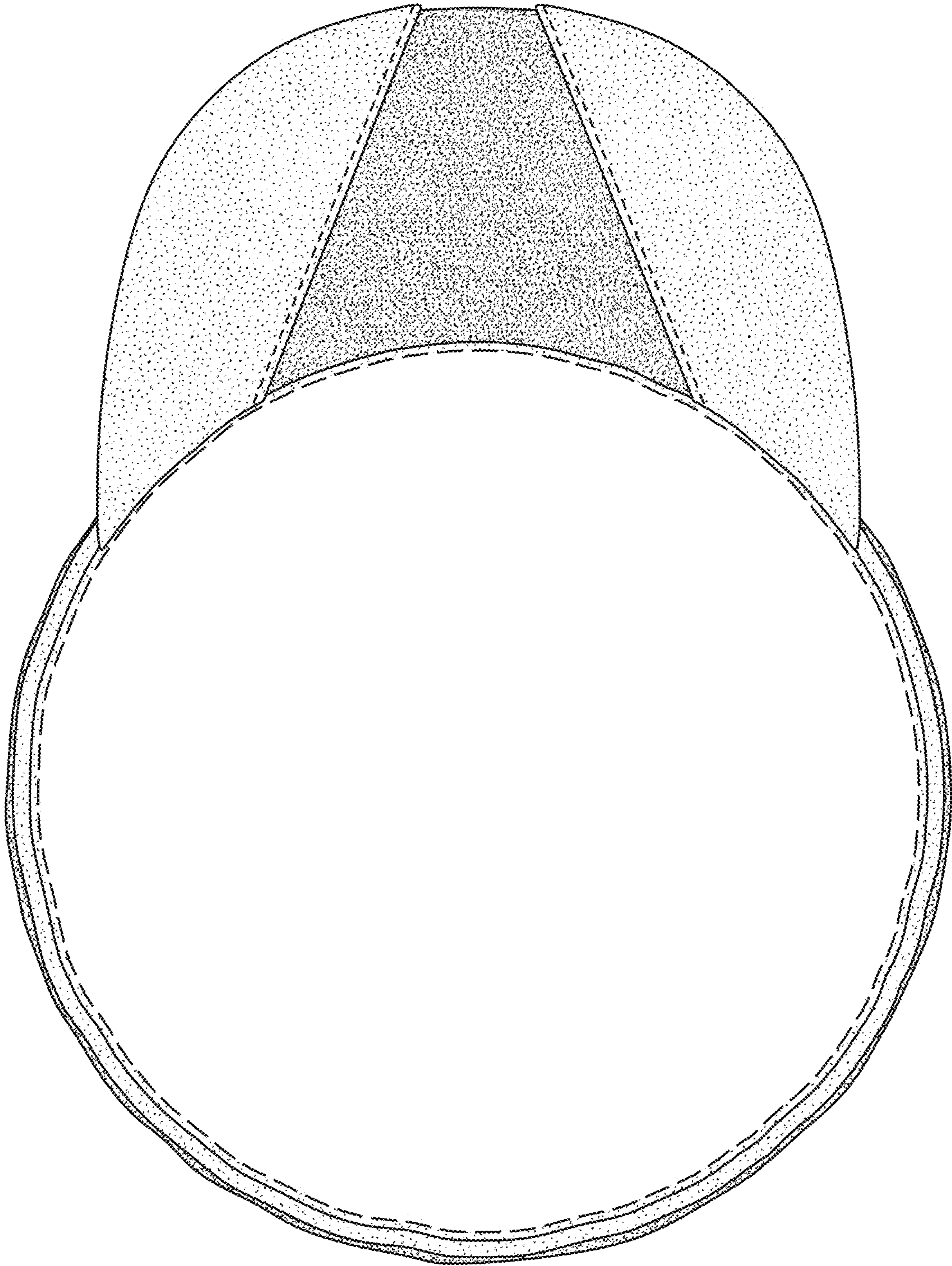


FIG. 2

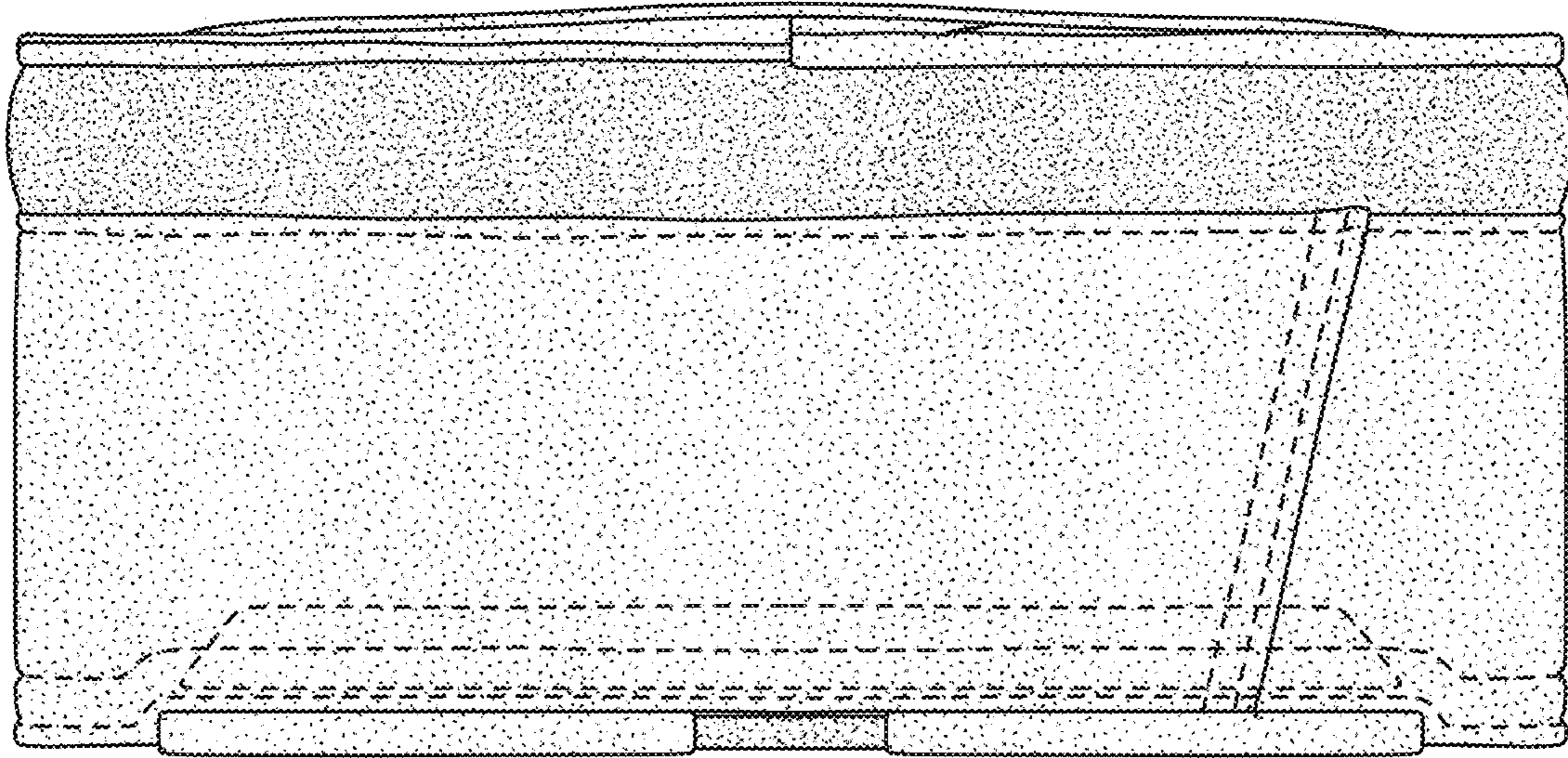


FIG. 3

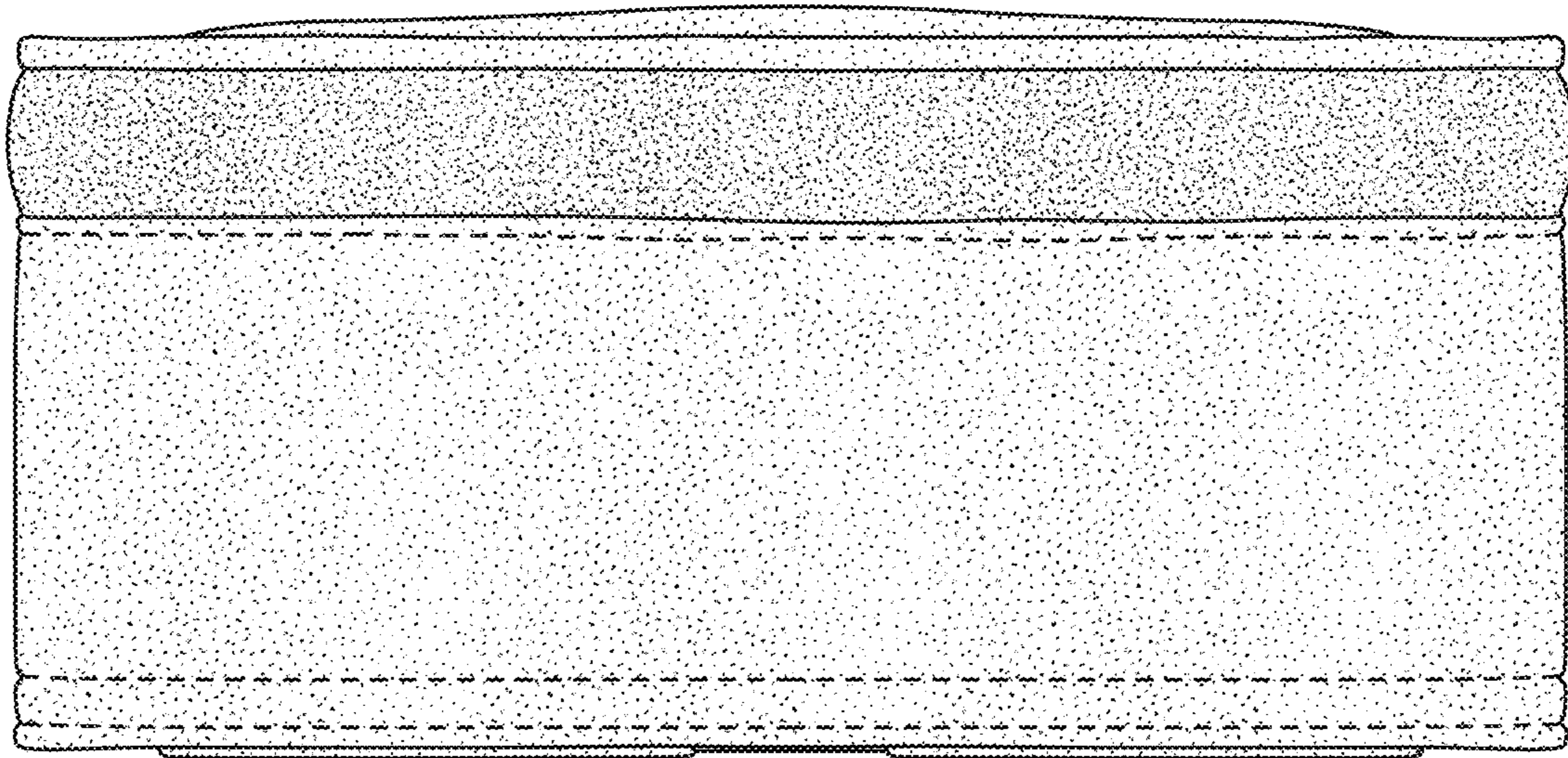


FIG. 4

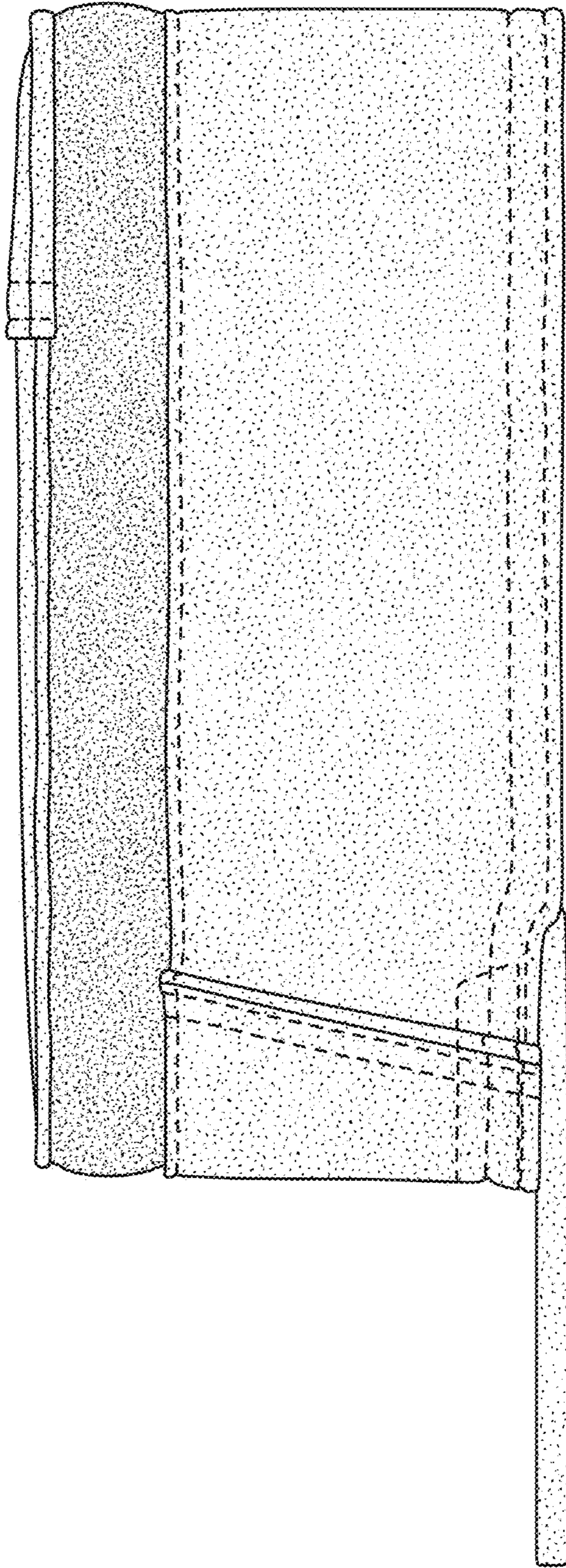


FIG. 5

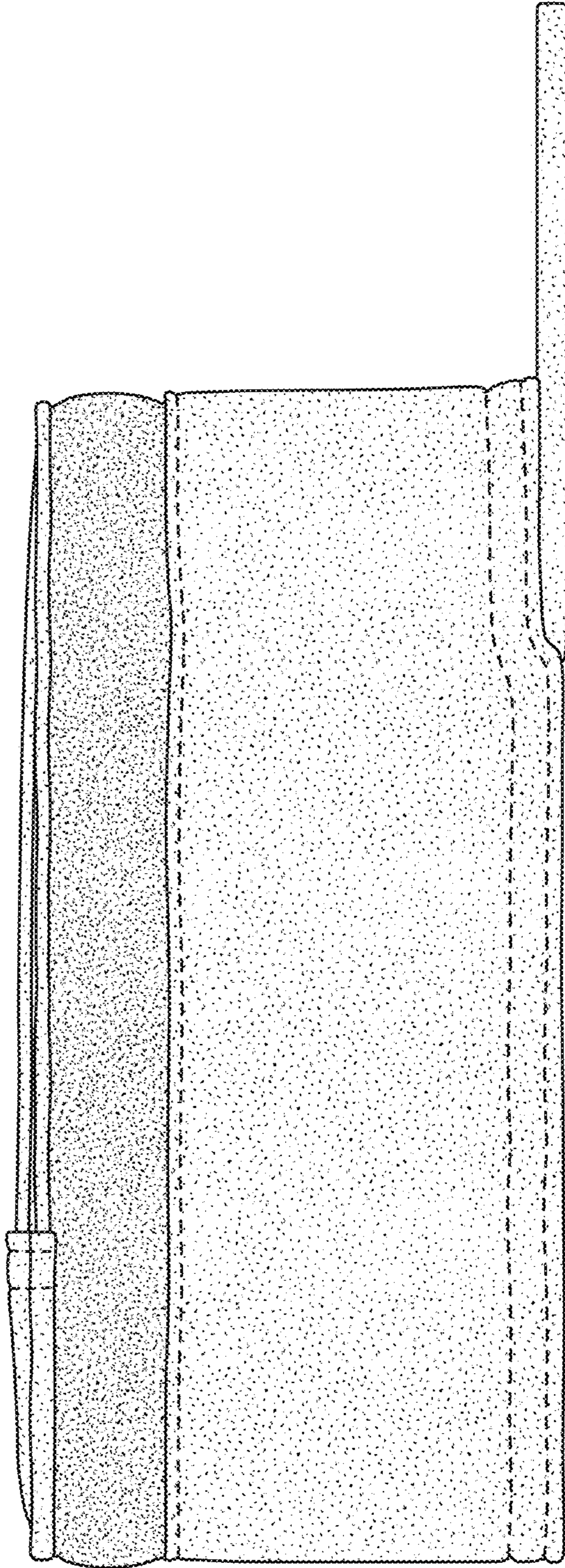


FIG. 6

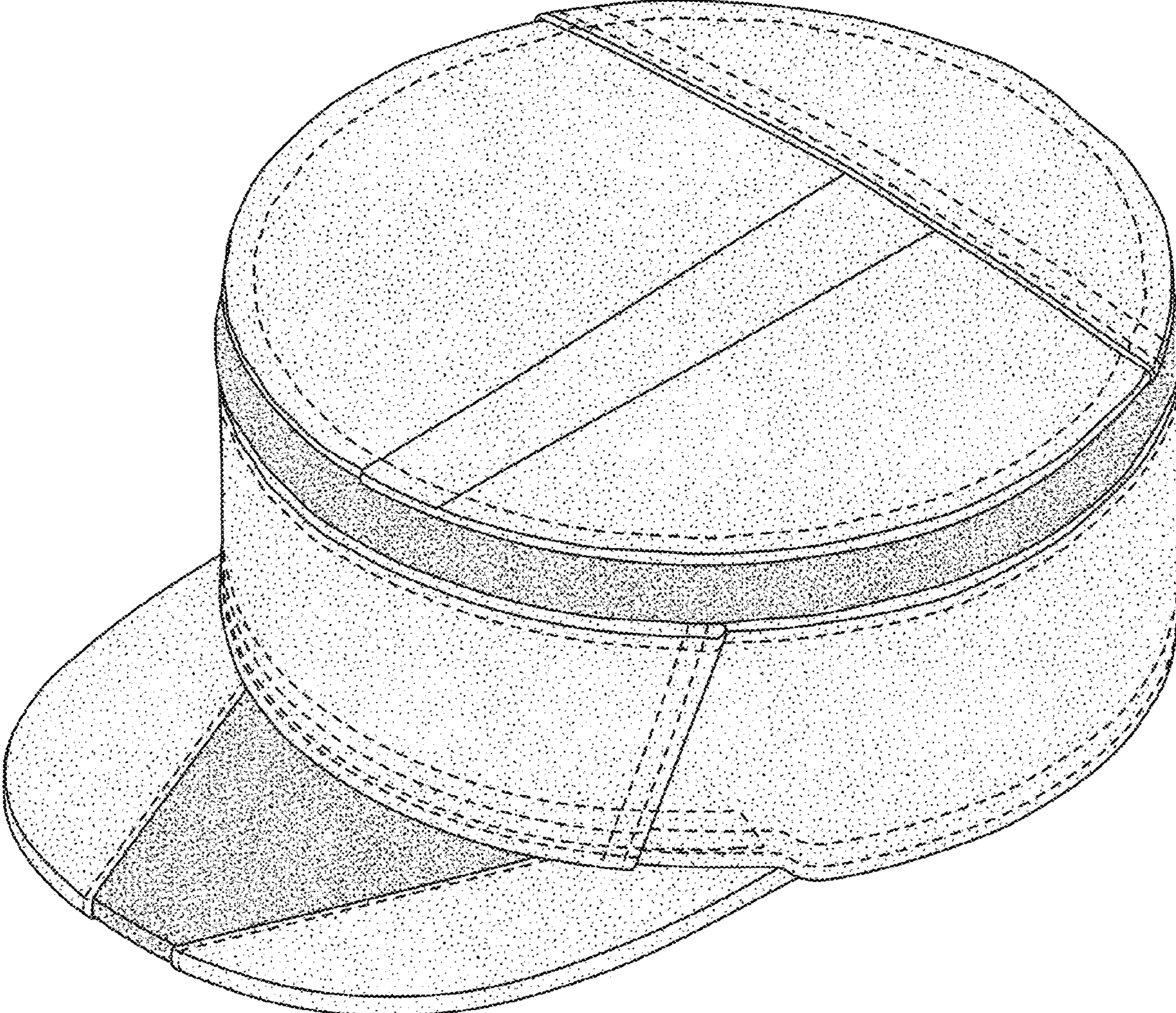


FIG. 7