



US0D1041790S

(12) **United States Design Patent** (10) **Patent No.:** **US D1,041,790 S**
Au-Yeung et al. (45) **Date of Patent:** **** Sep. 17, 2024**

- (54) **FRUIT SNACK**
- (71) Applicant: **General Mills, Inc.**, Minneapolis, MN (US)
- (72) Inventors: **Amy K. Au-Yeung**, Minneapolis, MN (US); **Cody Platta**, Salt Lake City, UT (US)
- (73) Assignee: **General Mills, Inc.**, Minneapolis, MN (US)
- (**) Term: **15 Years**
- (21) Appl. No.: **29/852,748**
- (22) Filed: **Sep. 9, 2022**
- (51) **LOC (14) Cl.** **01-01**
- (52) **U.S. Cl.**
USPC **D1/199; D1/120; D1/124**
- (58) **Field of Classification Search**
USPC D1/100-130, 199; 426/5, 76, 87, 92, 94, 426/95, 99, 101, 103, 108, 138-139, 143, 426/144, 279, 282, 283, 391, 514, 549, 426/660, 72, 582; D13/100; D24/101-104; D28/8.1; 424/438, 440, 424/464, 470-472; 425/195; 34/296; D6/601; D10/108
CPC B26D 3/11; A47J 37/043; A47J 37/049; A47J 43/18; A22C 17/006; A22C 13/0013; A23L 1/164; A23L 1/005; A23B 4/10; B65D 81/343
See application file for complete search history.

- 5,471,808 A * 12/1995 De Pieri A63H 33/086 52/603
- D396,336 S * 7/1998 Waggoner D1/127
- D467,288 S * 12/2002 Sorensen D21/500
- 6,996,945 B2 * 2/2006 Doty E04B 2/24 52/582.1
- D516,714 S * 3/2006 McAllister D24/104
- 7,247,329 B2 * 7/2007 Mattisson B65D 75/32 383/211
- D560,490 S * 1/2008 Kirk D9/732
- D576,776 S * 9/2008 Klacik D1/127
- D610,674 S * 2/2010 Karolak D24/101
- D665,250 S * 8/2012 Kirk D9/425
- D732,110 S * 6/2015 Lau D19/24
- D733,993 S * 7/2015 Sutaria D1/127
- D788,232 S * 5/2017 Koeberl D21/500
- D872,638 S * 1/2020 Yin D11/144

(Continued)

Primary Examiner — Katie Jane Stofko
(74) *Attorney, Agent, or Firm* — Jordan IP Law, LLC; Rachel A. Kahler

(57) **CLAIM**

The ornamental design for a fruit snack, as shown and described.

DESCRIPTION

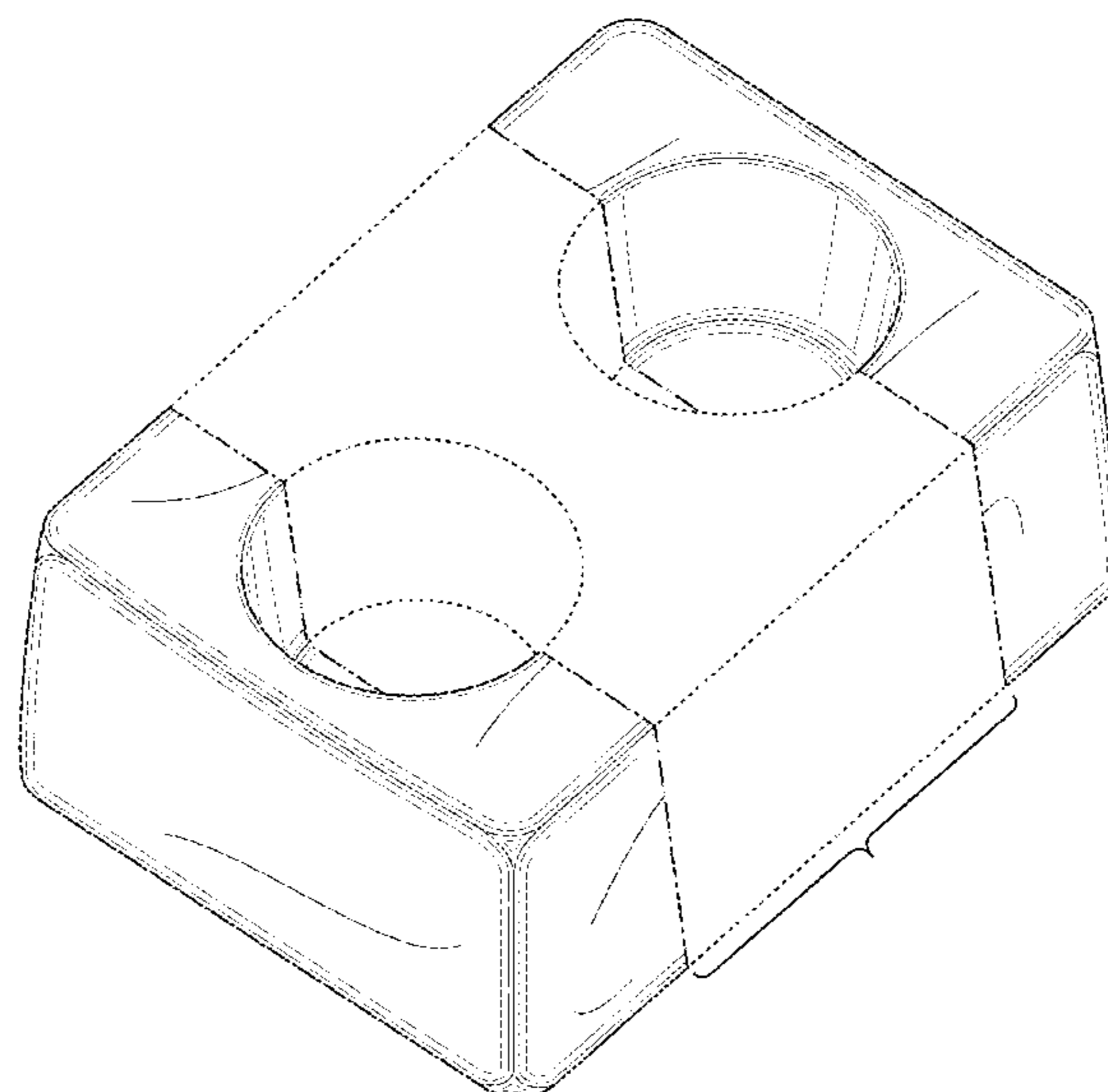
FIG. 1 is front, top and right side perspective view of a fruit snack according to our design;
FIG. 2 is a top plan view thereof;
FIG. 3 is a bottom plan view thereof;
FIG. 4 is a front elevational view thereof;
FIG. 5 is a rear elevational view thereof;
FIG. 6 is a right side elevation view thereof; and,
FIG. 7 is a left side elevation view thereof.
The evenly-spaced broken lines in FIGS. 1-3, 6 and 7 illustrate portions of the fruit snack that form no part of the claimed design. The dash-dot-dash broken lines in FIGS. 1-3, 6 and 7 illustrate the boundary of the claimed design which forms no part thereof.

1 Claim, 4 Drawing Sheets

(56) **References Cited**

U.S. PATENT DOCUMENTS

- D59,910 S * 12/1921 Noble D1/120
- 1,524,146 A * 1/1925 Murray E04B 2/14 52/302.4
- 2,493,435 A * 1/1950 Arehambault A63H 33/088 446/124



(56)

References Cited

U.S. PATENT DOCUMENTS

D902,307 S *	11/2020	Phongsuwan	D21/500
D903,230 S *	12/2020	Evans	D1/127
D953,690 S *	6/2022	Hanyu	D1/120
D990,811 S *	7/2023	Hanyu	D1/120
2006/0263494 A1 *	11/2006	Geng	B65D 85/36 426/128

* cited by examiner

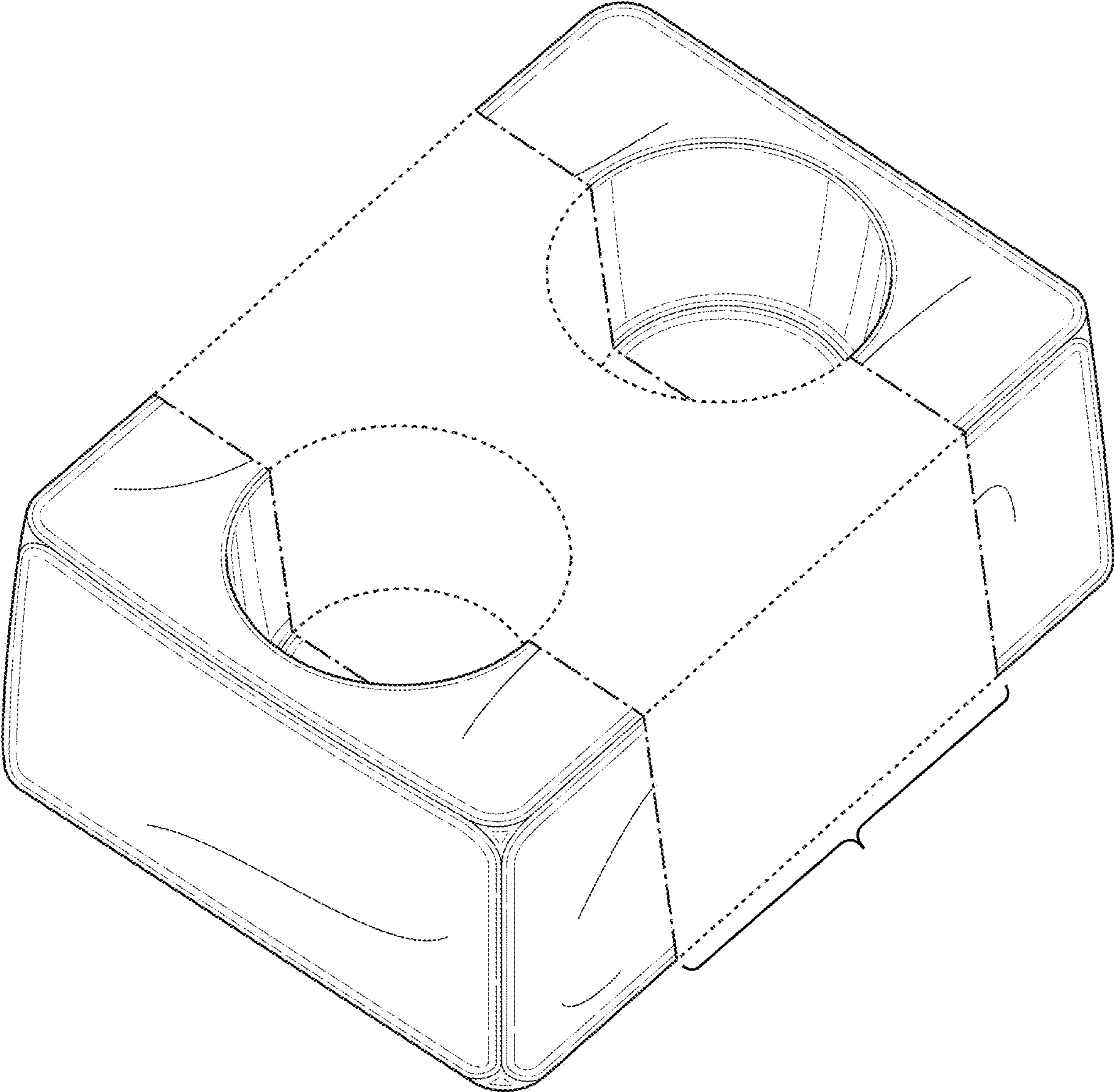


FIG. 1

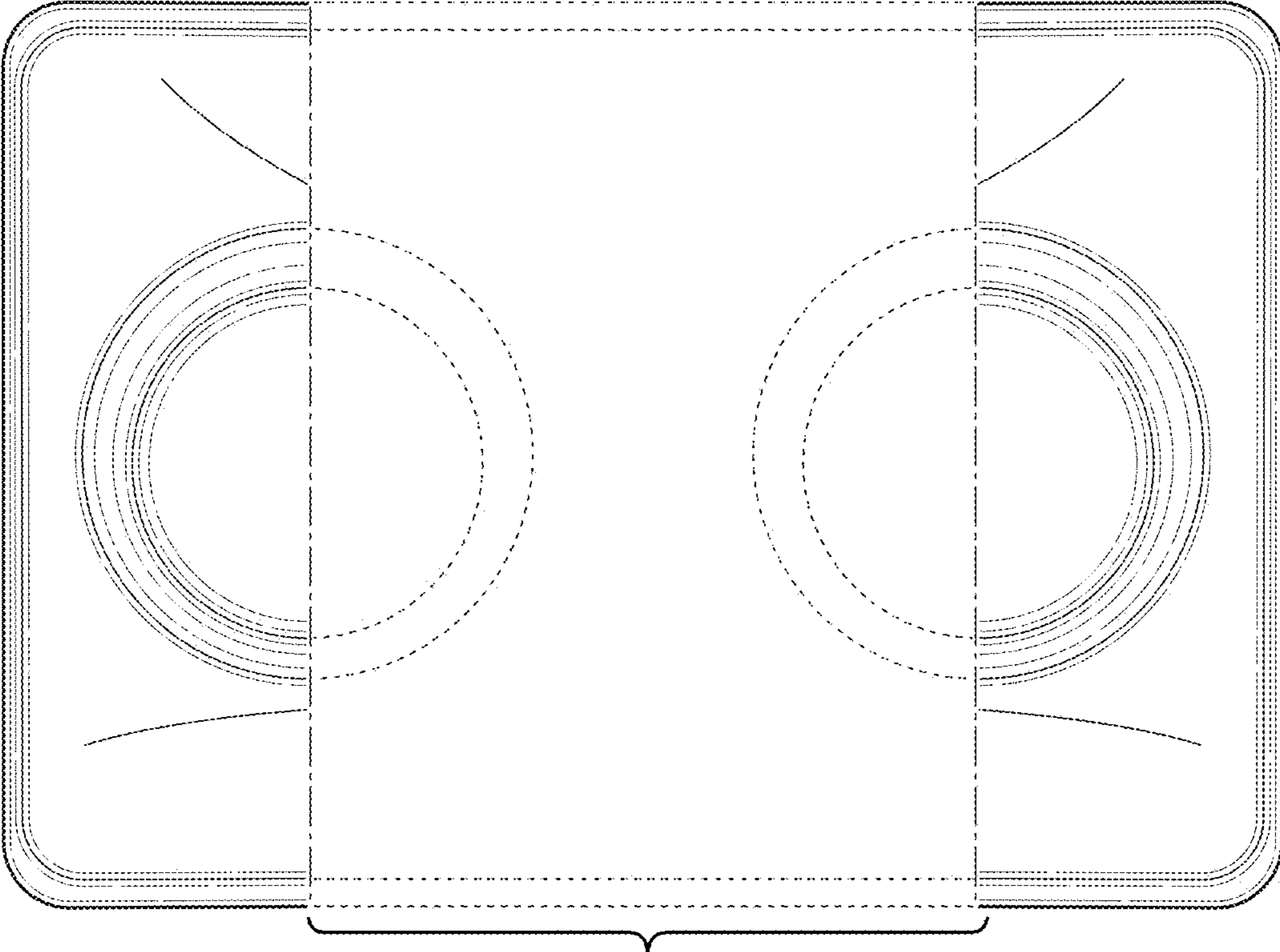


FIG. 2

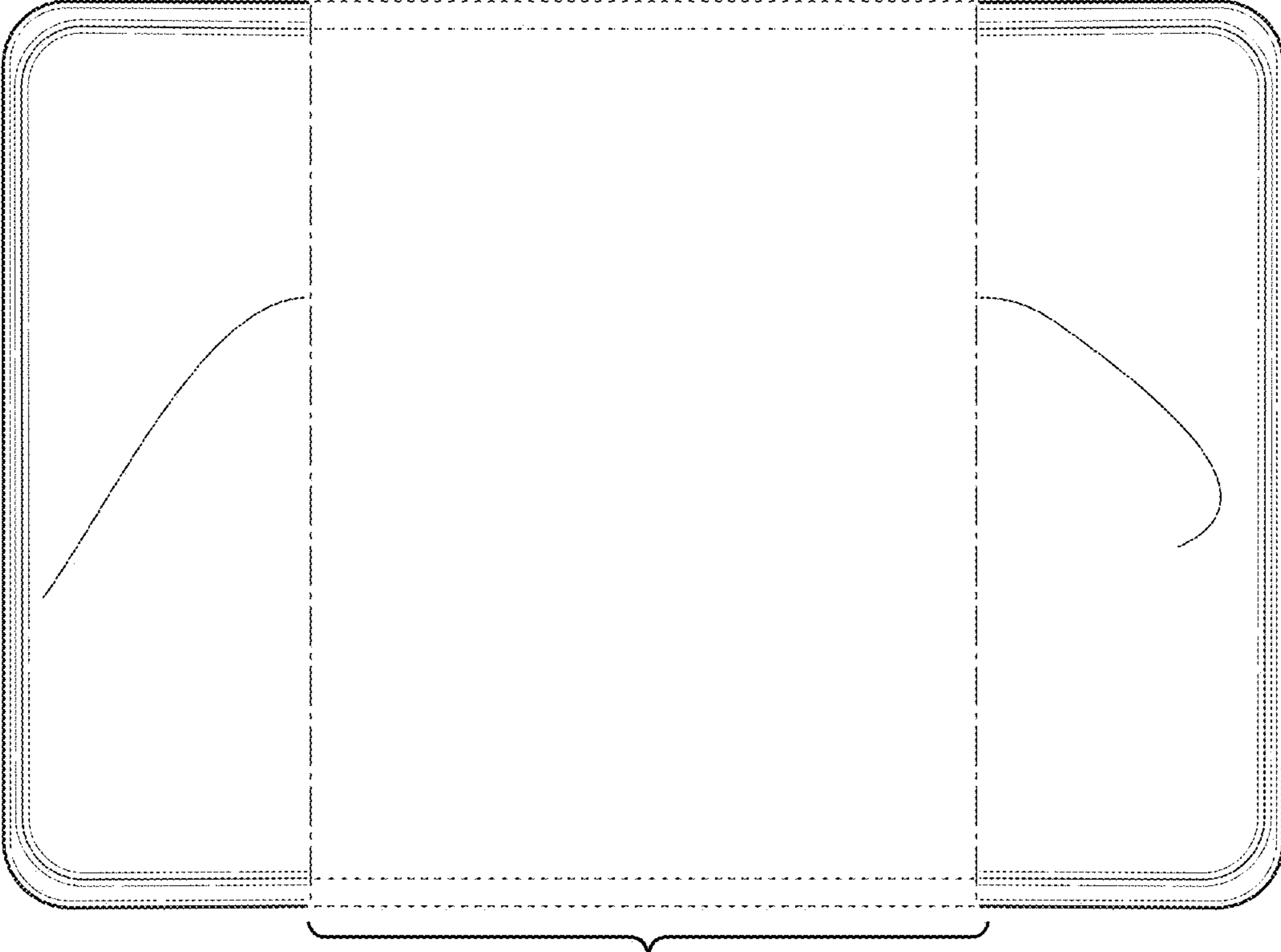


FIG. 3

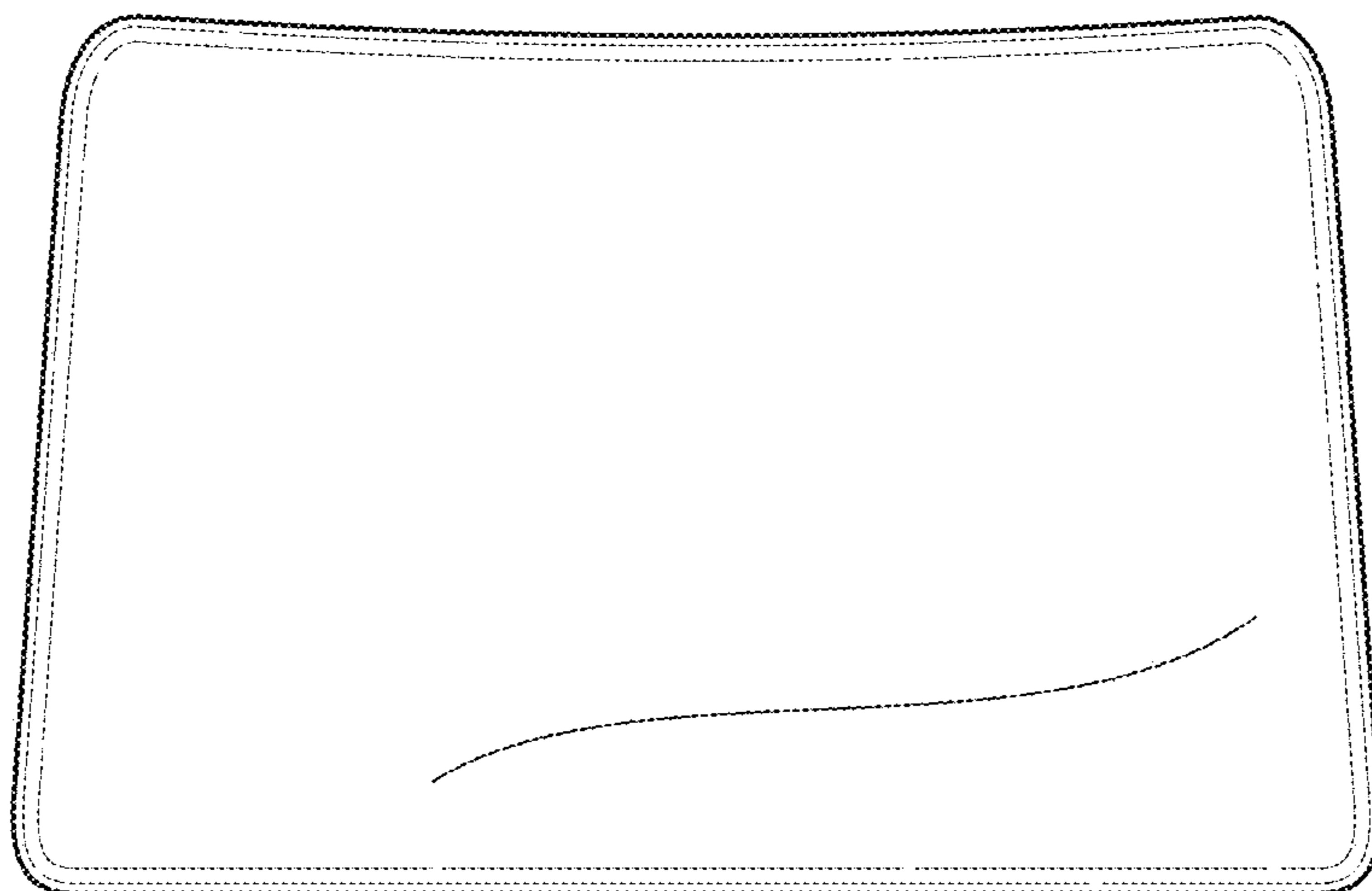


FIG. 4

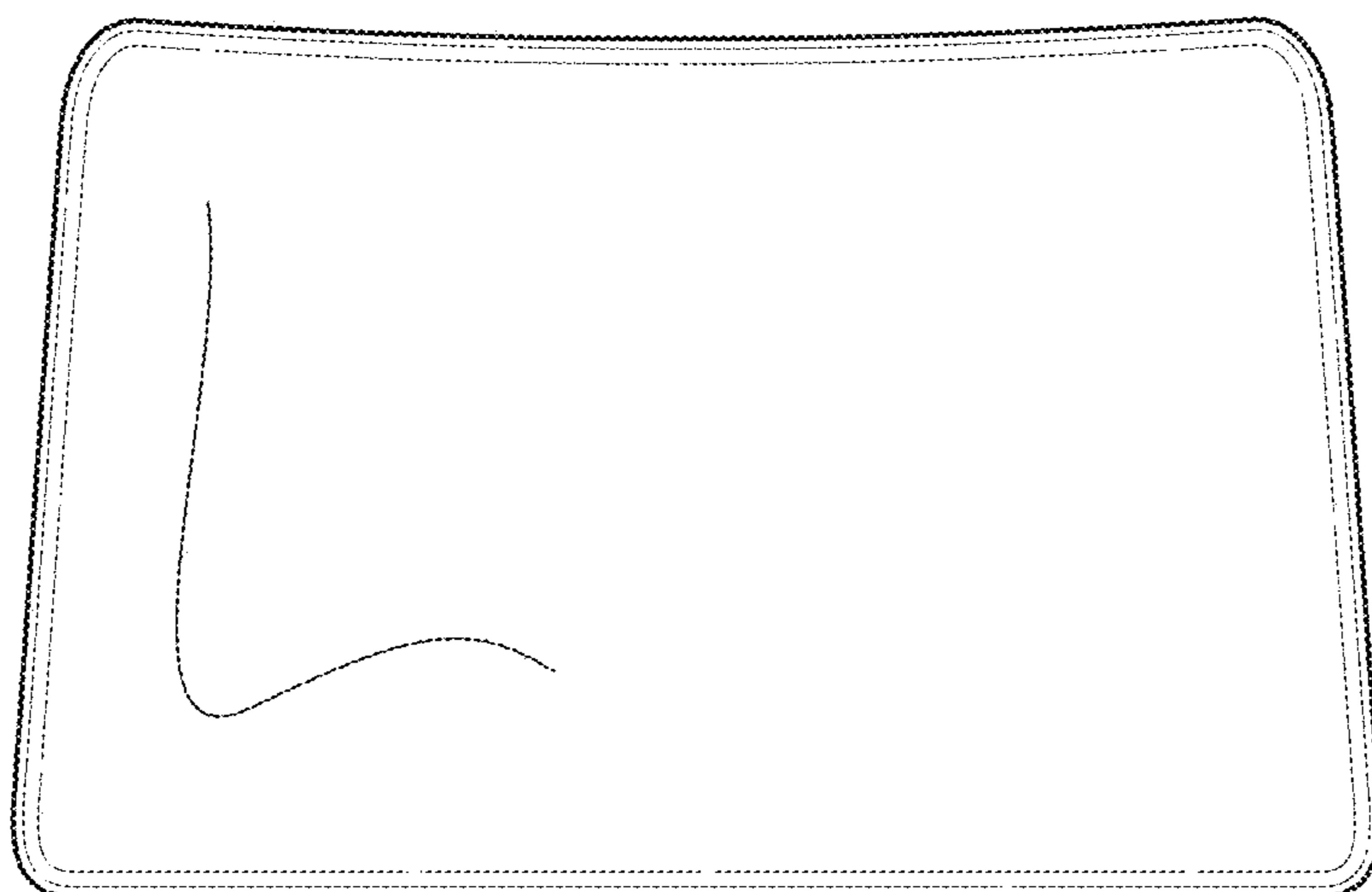


FIG. 5

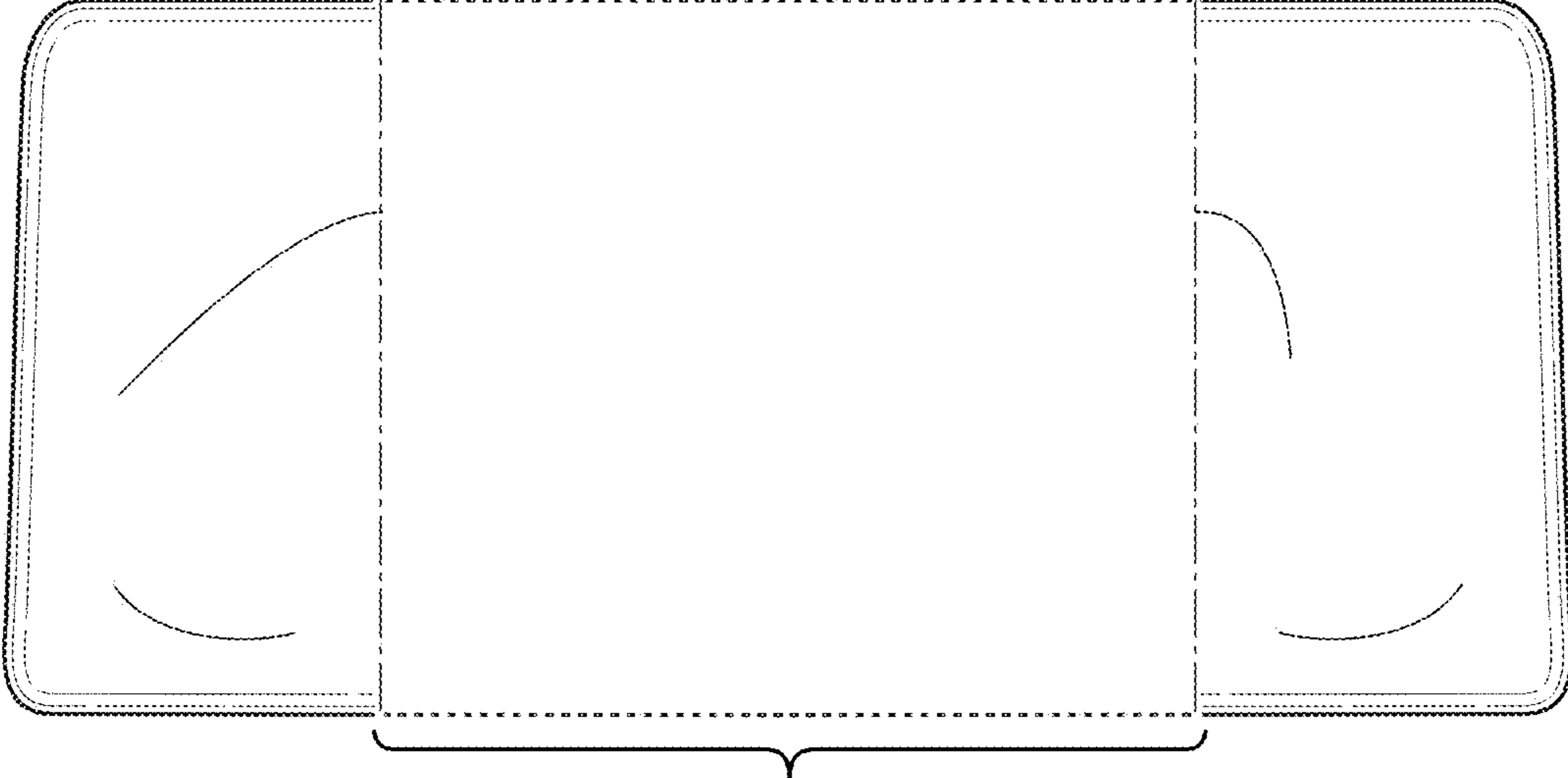


FIG. 6

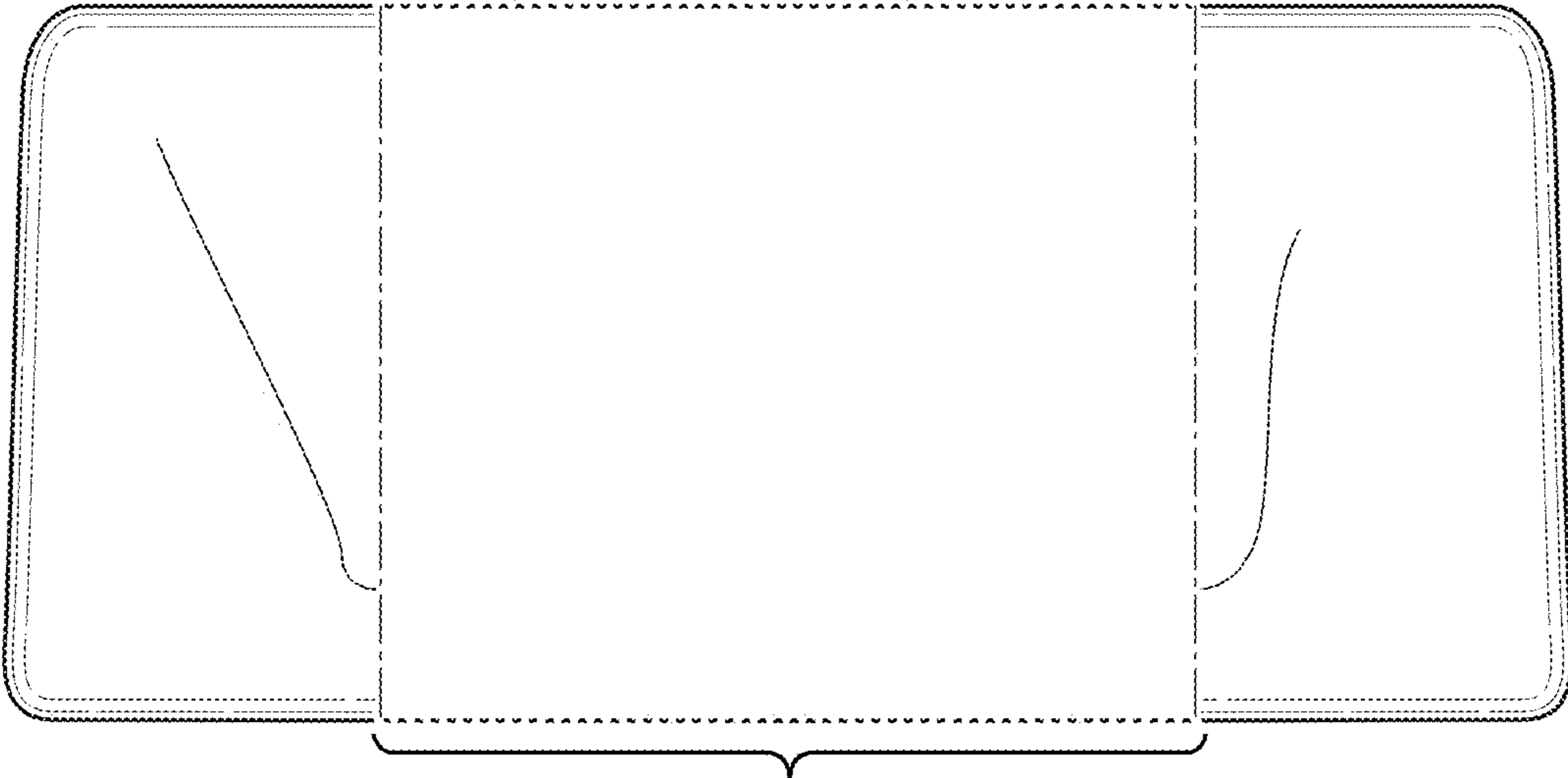


FIG. 7