



US0D1041694S

(12) **United States Design Patent**
Kuoch

(10) **Patent No.:** **US D1,041,694 S**

(45) **Date of Patent:** **** Sep. 10, 2024**

(54) **PORTABLE LIGHTING DEVICE**

FOREIGN PATENT DOCUMENTS

(71) Applicants: **KUNSHAN AMPHENOL ZHENGRI ELECTRONICS CO., LTD.**, Kunshan (CN); **AMPHENOL LTW TECHNOLOGY CO., LTD.**, New Taipei (TW)

CN	306606040	*	6/2021
CN	307483435	*	8/2022
EM	009067887-0001	*	8/2022

(72) Inventor: **Julien Jaya Philippe Kuoch**, New Taipei (TW)

(73) Assignees: **KUNSHAN AMPHENOL ZHENGRI ELECTRONICS CO., LTD.**, Kunshan (CN); **AMPHENOL LTW TECHNOLOGY CO., LTD.**, New Taipei (TW)

(**) Term: **15 Years**

(21) Appl. No.: **29/843,282**

(22) Filed: **Jun. 20, 2022**

(51) **LOC (14) Cl.** **26-02**

(52) **U.S. Cl.**
USPC **D26/37**

(58) **Field of Classification Search**
USPC D26/24, 60, 72, 85, 88, 89, 91, 93, 104, D26/106, 110, 37, 46, 49
CPC F21S 9/00; F21S 9/02; F21L 4/00
See application file for complete search history.

(56) **References Cited**

U.S. PATENT DOCUMENTS

2,784,305	A	*	3/1957	Johnson	F21V 21/406
						D26/45
D647,227	S	*	10/2011	Kaule	D26/24
D694,928	S	*	12/2013	Chen	D26/63
D749,254	S	*	2/2016	Robinson	D26/37
D840,070	S	*	2/2019	Cramer	D26/37
D849,293	S	*	5/2019	Ko	D26/36
D886,335	S	*	6/2020	Zhu	D26/24
D888,313	S	*	6/2020	Xie	D26/74

(Continued)

OTHER PUBLICATIONS

“Lights” published on Amazon.com, date first available Nov. 27, 2019 [online], site visited Mar. 1, 2024, available from internet URL: <https://www.amazon.com/Lights-Night-Honeywell-UL-Listed-45084/dp/B08233HCS3/> (Year: 2019).*

(Continued)

Primary Examiner — Angela J Lee
Assistant Examiner — Liv C Anderson
(74) *Attorney, Agent, or Firm* — WPAT, P.C

(57) **CLAIM**

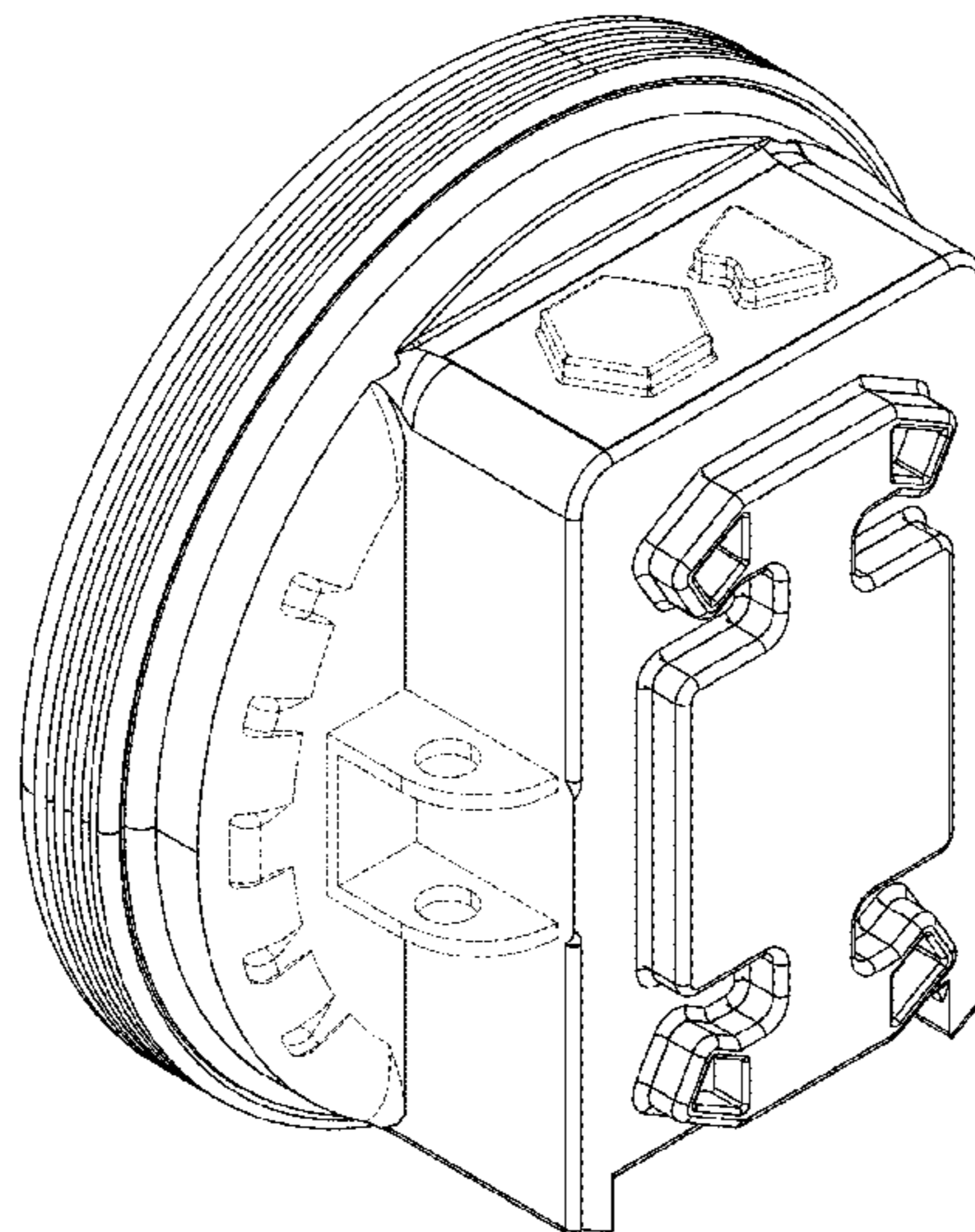
The ornamental design for a portable lighting device, as shown and described.

DESCRIPTION

FIG. 1 is a perspective view of a portable lighting device; FIG. 2 is a front view of the portable lighting device of FIG. 1; FIG. 3 is a rear view of the portable lighting device of FIG. 1; FIG. 4 is a left view of the portable lighting device of FIG. 1; FIG. 5 is a right view of the portable lighting device of FIG. 1; FIG. 6 is a top view of the portable lighting device of FIG. 1; and, FIG. 7 is a bottom view of the portable lighting device of FIG. 1.

In the drawings, the broken lines represent portions of the article and form no part of the claimed design.

1 Claim, 5 Drawing Sheets



(56)

References Cited

U.S. PATENT DOCUMENTS

D898,265 S	*	10/2020	Bao	D26/63
D916,341 S	*	4/2021	Christensen	D26/49
D943,134 S	*	2/2022	Zeng	D26/63
D953,598 S	*	5/2022	Zhou	D26/85
D1,003,490 S	*	10/2023	Li	D26/89

OTHER PUBLICATIONS

“Puck” published on Amazon.com, date first available Apr. 6, 2023 [online], site visited Mar. 1, 2024, available from internet URL: <https://www.amazon.com/LOINSGLIM-Wireless-Operated-Lighting-Dimmable/dp/B0C1P4C3RL/> (Year: 2023).*

“Esco” published on Amazon.com, date first available May 7, 2012 [online], site visited Mar. 1, 2024, available from internet URL: <https://www.amazon.com/Escolite-Flashlight-Ultraviolet-Blacklight-Detector/dp/B008133KB4> (Year: 2012).*

* cited by examiner

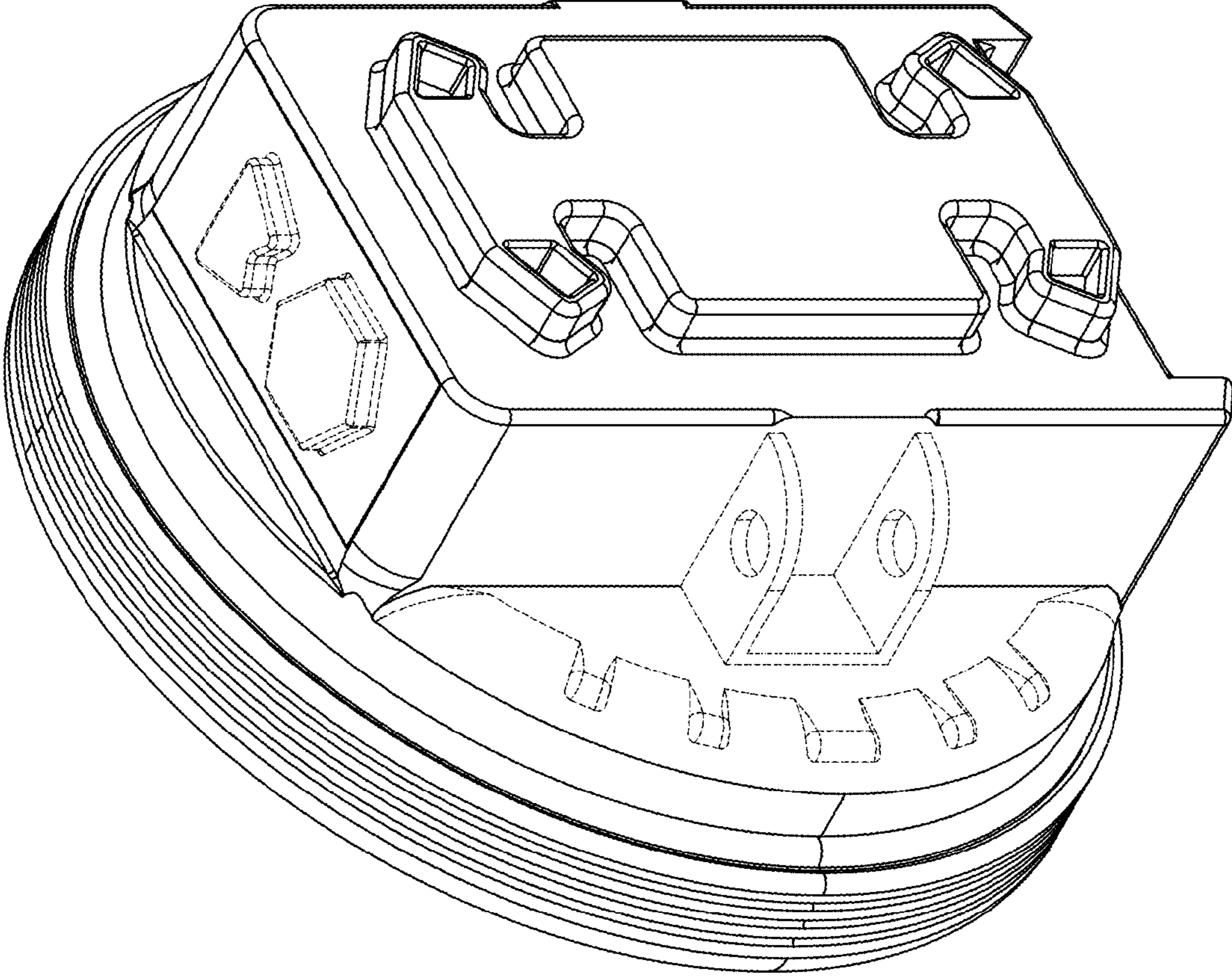


FIG. 1

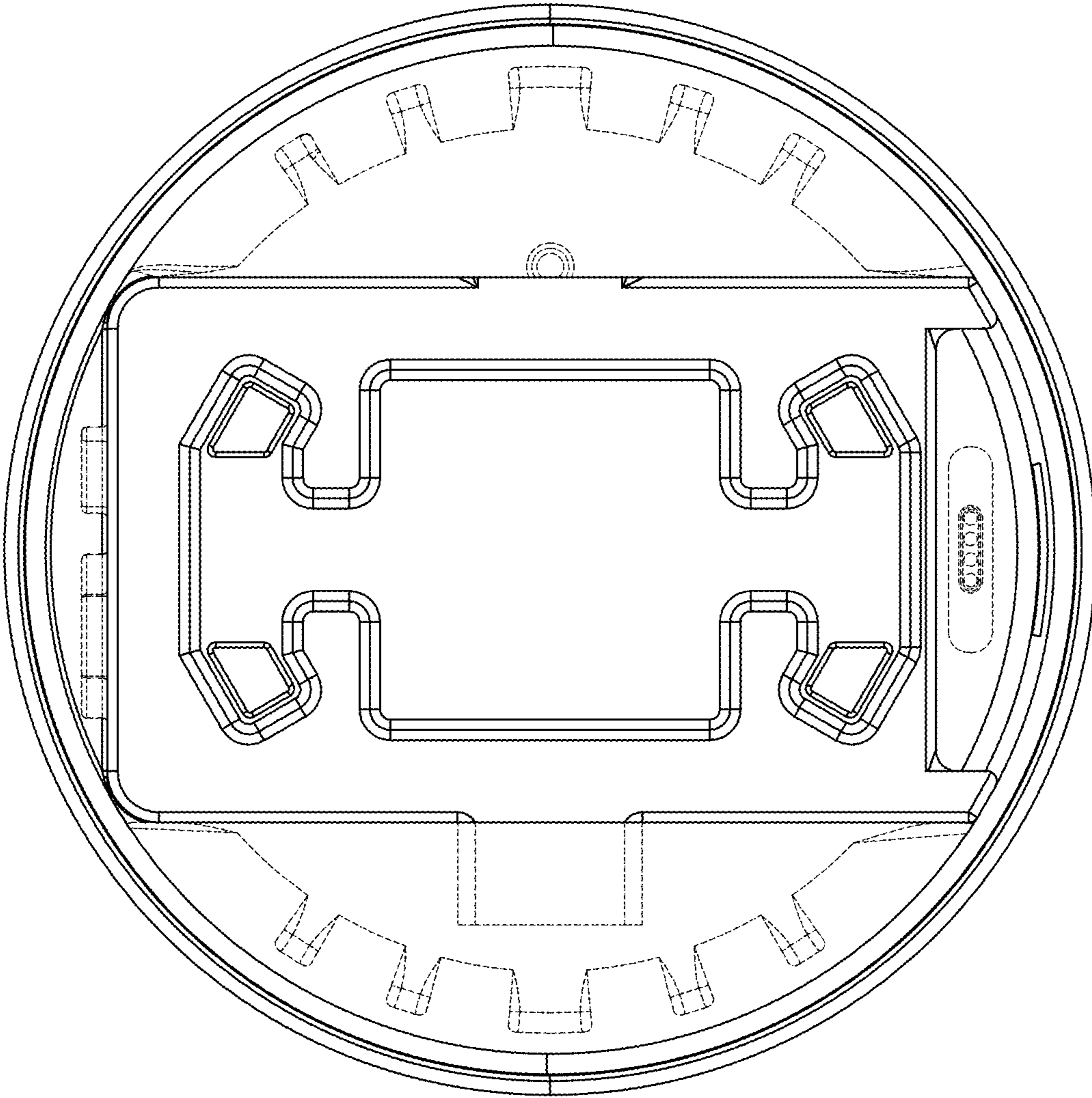


FIG. 2

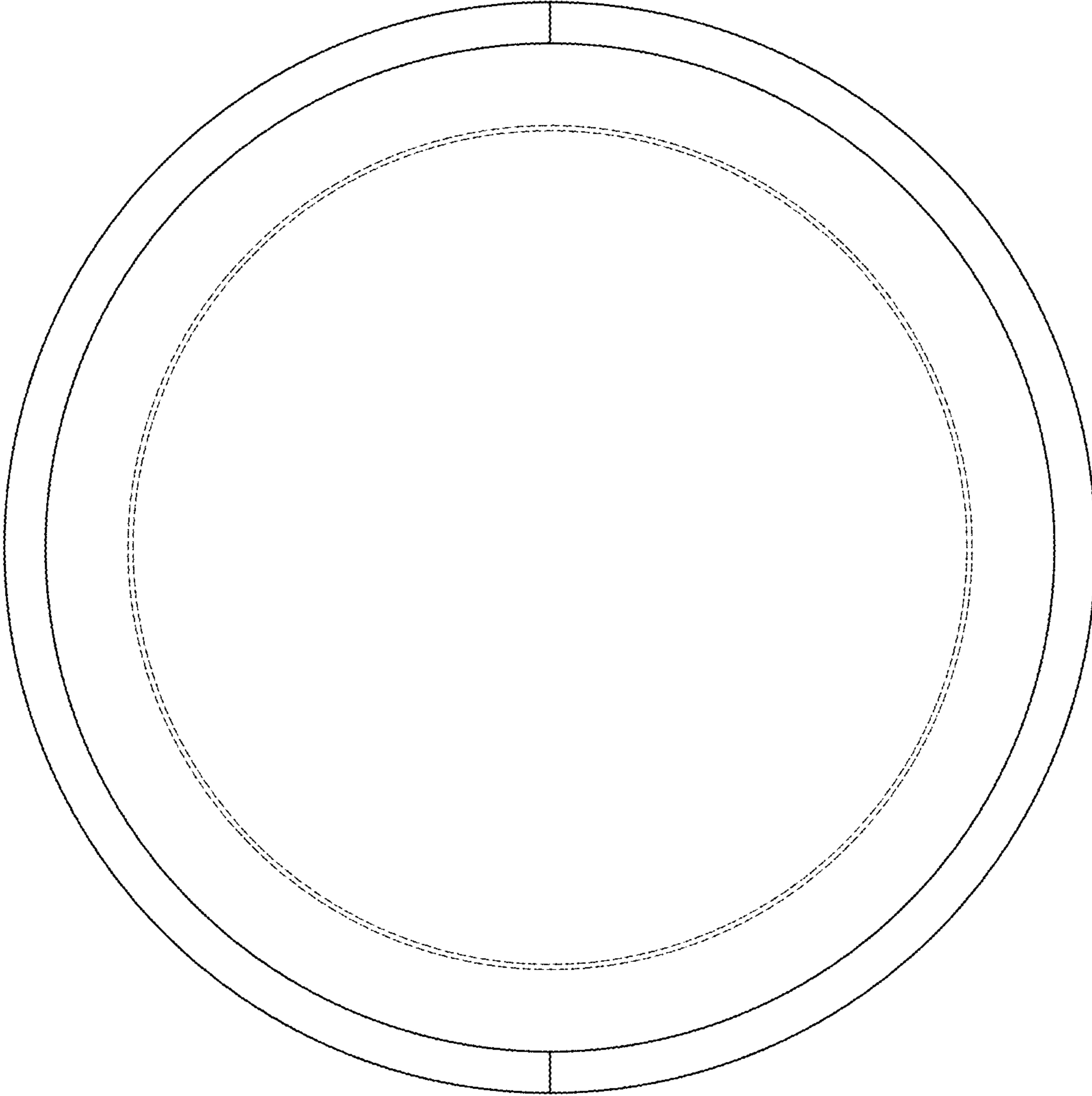


FIG. 3

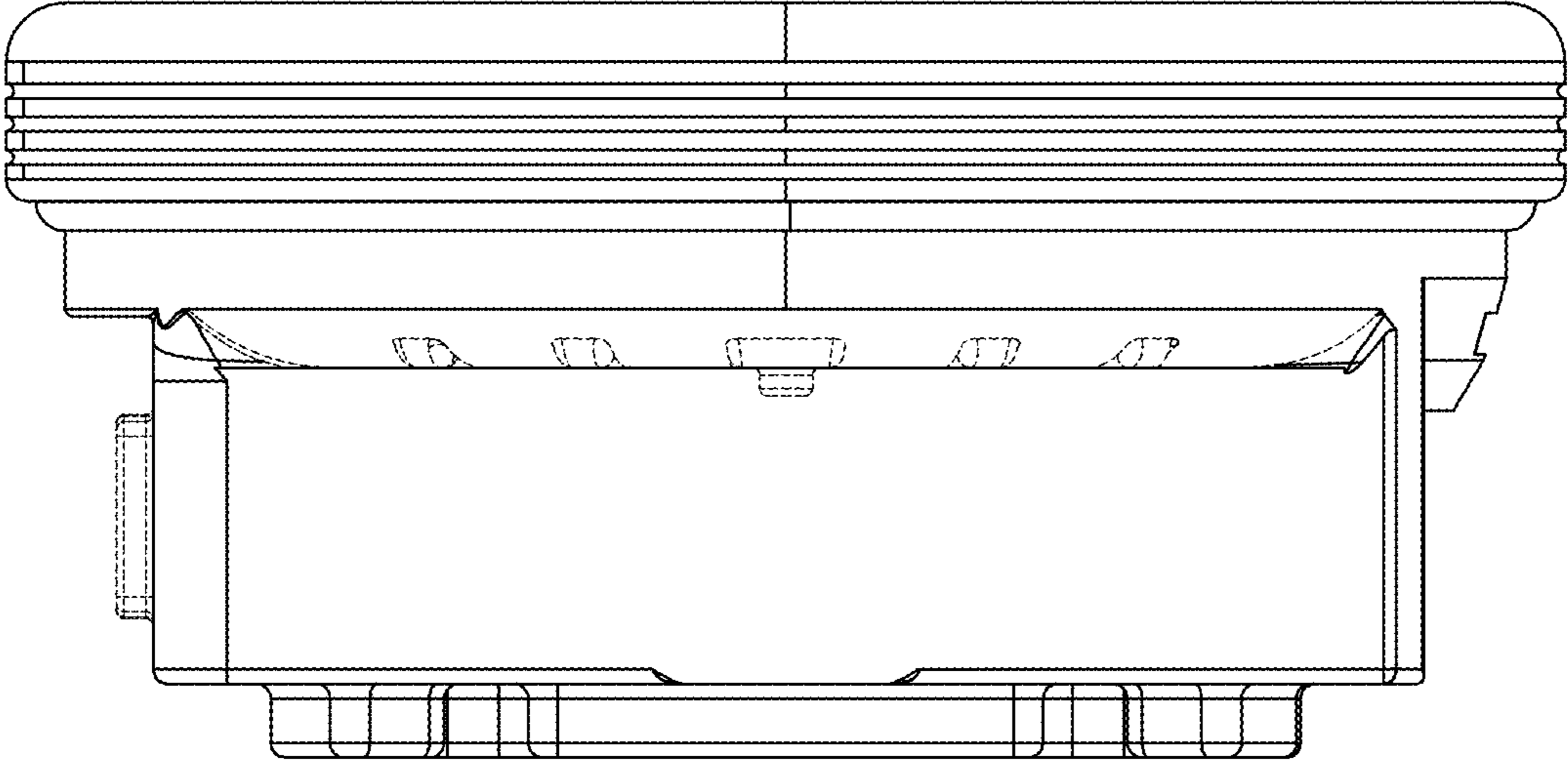


FIG. 5

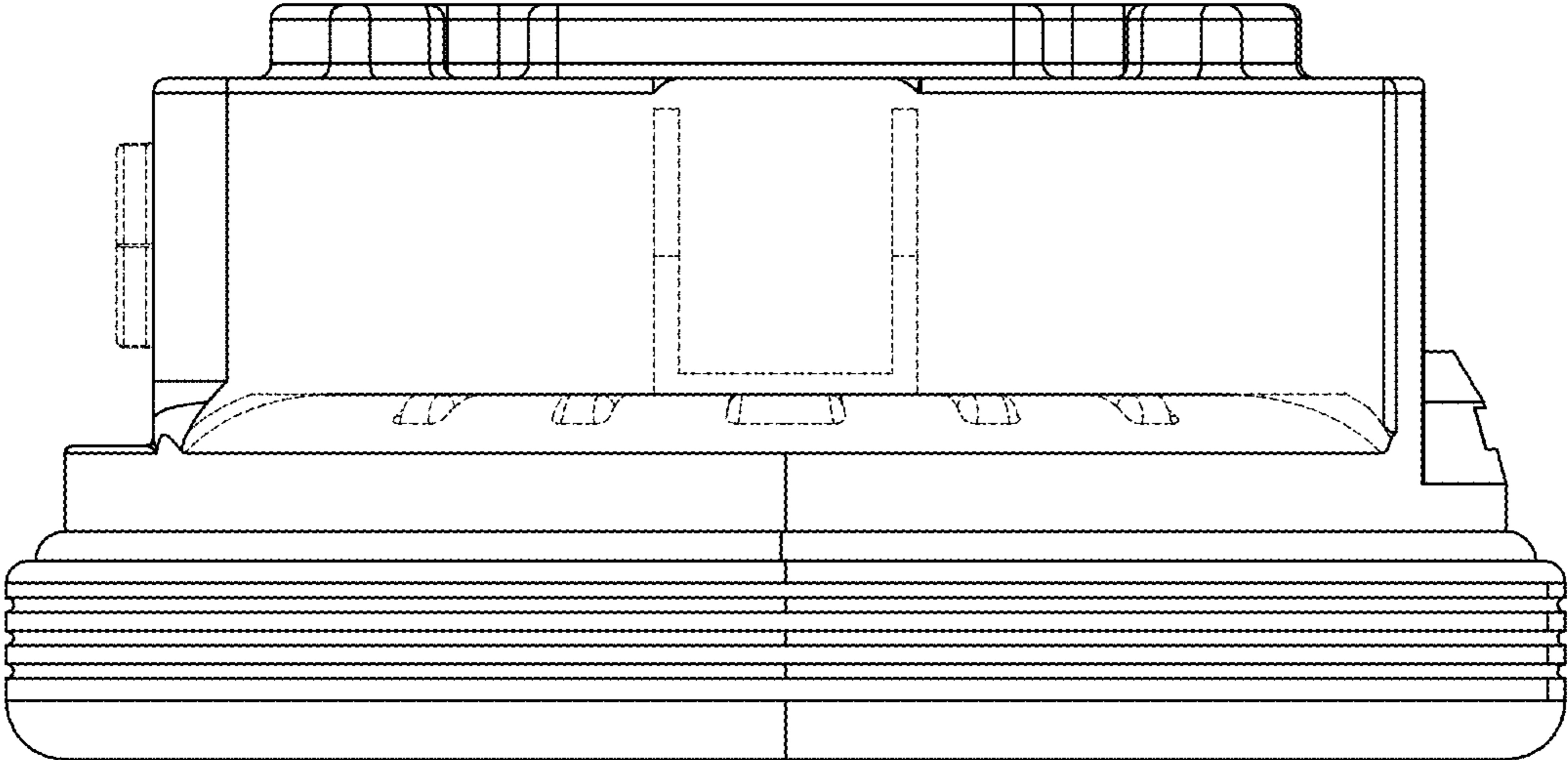


FIG. 4

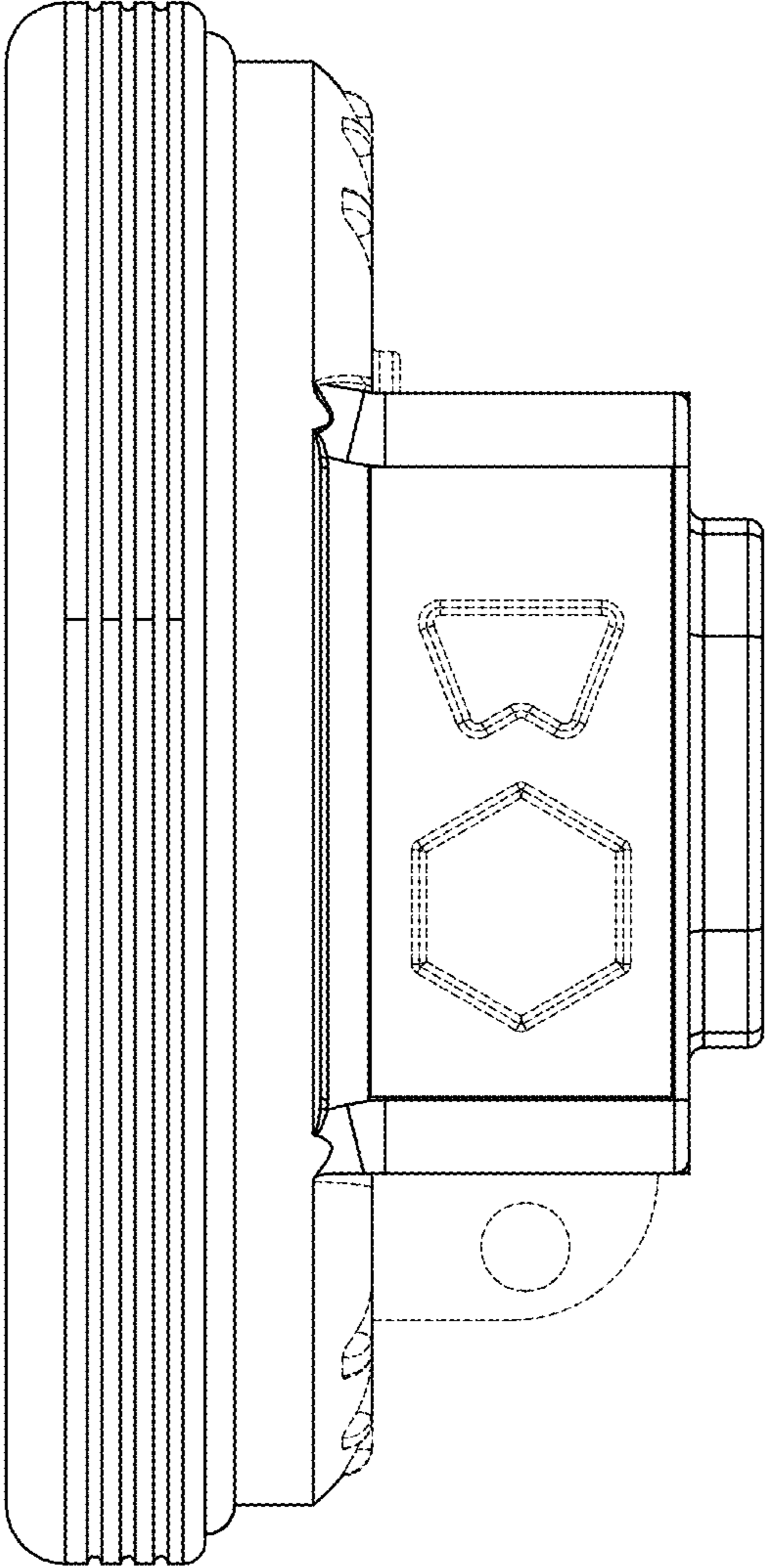


FIG. 6