



US0D1041652S

(12) **United States Design Patent** (10) **Patent No.:** **US D1,041,652 S**
Lehee et al. (45) **Date of Patent:** **** Sep. 10, 2024**

(54) **MEDICAL STOPPER**
(71) Applicant: **Becton, Dickinson and Company,**
Franklin Lakes, NJ (US)
(72) Inventors: **Guillaume Lehee, Voreppe (FR);**
Benoit Fremon, Saint Martin d'Uriage
(FR)
(73) Assignee: **Becton, Dickinson and Company,**
Franklin Lakes, NJ (US)
(**) Term: **15 Years**

D633,202 S *	2/2011	Maeda	D24/130
D665,498 S *	8/2012	Tamura	D24/130
D686,322 S *	7/2013	Maeda	D24/130
D787,668 S *	5/2017	Ishida	D24/130
D788,296 S *	5/2017	Ishida	D24/130
D788,297 S *	5/2017	Ishida	D24/130
D788,912 S *	6/2017	Ishida	D24/130
D806,241 S *	12/2017	Swinney	D24/129
D860,787 S *	9/2019	Krokonko	D24/127
D865,947 S *	11/2019	Khalaj	D24/114
D883,476 S *	5/2020	Lofthouse	D24/127
D884,887 S *	5/2020	Kangastupa	D24/129
D903,105 S *	11/2020	Brown	D24/113
D903,857 S *	12/2020	Levy	D24/113

(Continued)

(21) Appl. No.: **29/835,489**
(22) Filed: **Apr. 19, 2022**
(51) **LOC (14) Cl.** **24-02**
(52) **U.S. Cl.**
USPC **D24/130**
(58) **Field of Classification Search**
USPC D24/127-131, 112-114; 606/181, 185;
604/264, 272, 187, 181, 184, 227
CPC A61M 5/178; A61M 3/00; A61M 5/20;
A61M 5/31; A61M 5/3146; A61M
5/3129; A61M 5/3148; A61M 5/315
See application file for complete search history.

FOREIGN PATENT DOCUMENTS

EP	2660163 A1	11/2013
EP	2684576 A2	1/2014

(Continued)

Primary Examiner — Nathan M Johnston
(74) *Attorney, Agent, or Firm* — The Webb Law Firm

(57) **CLAIM**

The ornamental design for a medical stopper, as shown and described.

DESCRIPTION

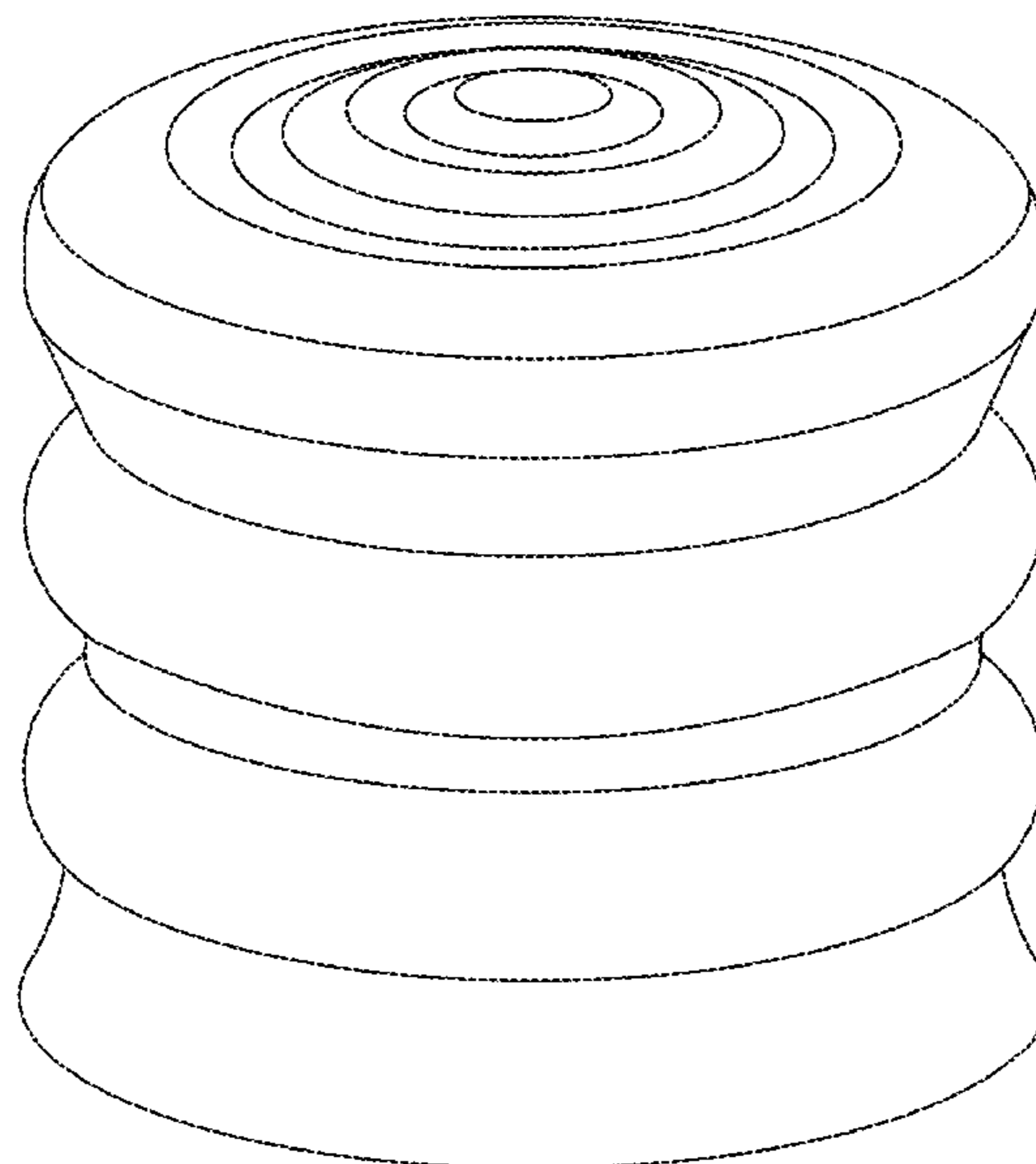
FIG. 1 is a front perspective view of a medical stopper, in accordance with an embodiment of the present design; FIG. 2 is a bottom perspective view thereof; FIG. 3 is a top plan view thereof; FIG. 4 is a right side elevation view thereof, with the left side view being a mirror image thereof, the front view and the back view also being mirror images thereof; FIG. 5 is a bottom view thereof; and, FIG. 6 is a cross sectional view of FIG. 1. The broken lines show portions of the medical stopper that form no part of the claimed design.

1 Claim, 6 Drawing Sheets

(56) **References Cited**

U.S. PATENT DOCUMENTS

D253,720 S *	12/1979	Millet	D24/130
D361,380 S *	8/1995	Linner	D24/115
D383,205 S *	9/1997	Pagay	D24/114
5,795,337 A	8/1998	Grimard		
D403,762 S *	1/1999	Gabbard	D24/114
D426,884 S *	6/2000	Srisathapat	D24/114
D447,799 S *	9/2001	Jun	D24/130
D574,490 S *	8/2008	Patzer	D24/129
D581,528 S *	11/2008	Sudo	D24/130
D583,938 S *	12/2008	Sudo	D24/130
D632,389 S *	2/2011	Maeda	D24/130



(56)

References Cited

U.S. PATENT DOCUMENTS

D924,391 S * 7/2021 Levy D24/113
D972,131 S * 12/2022 Chen D24/127
2007/0219507 A1 9/2007 Dai et al.
2013/0270271 A1 10/2013 Asai et al.
2015/0025454 A1 1/2015 Wetzel et al.
2016/0243308 A1 8/2016 Giraud et al.
2017/0203043 A1 7/2017 Rusch et al.
2020/0139043 A1 5/2020 Swantner et al.

FOREIGN PATENT DOCUMENTS

JP 2002306569 A 10/2002
WO 2005099793 A1 10/2005
WO 2017123840 A1 7/2017

* cited by examiner

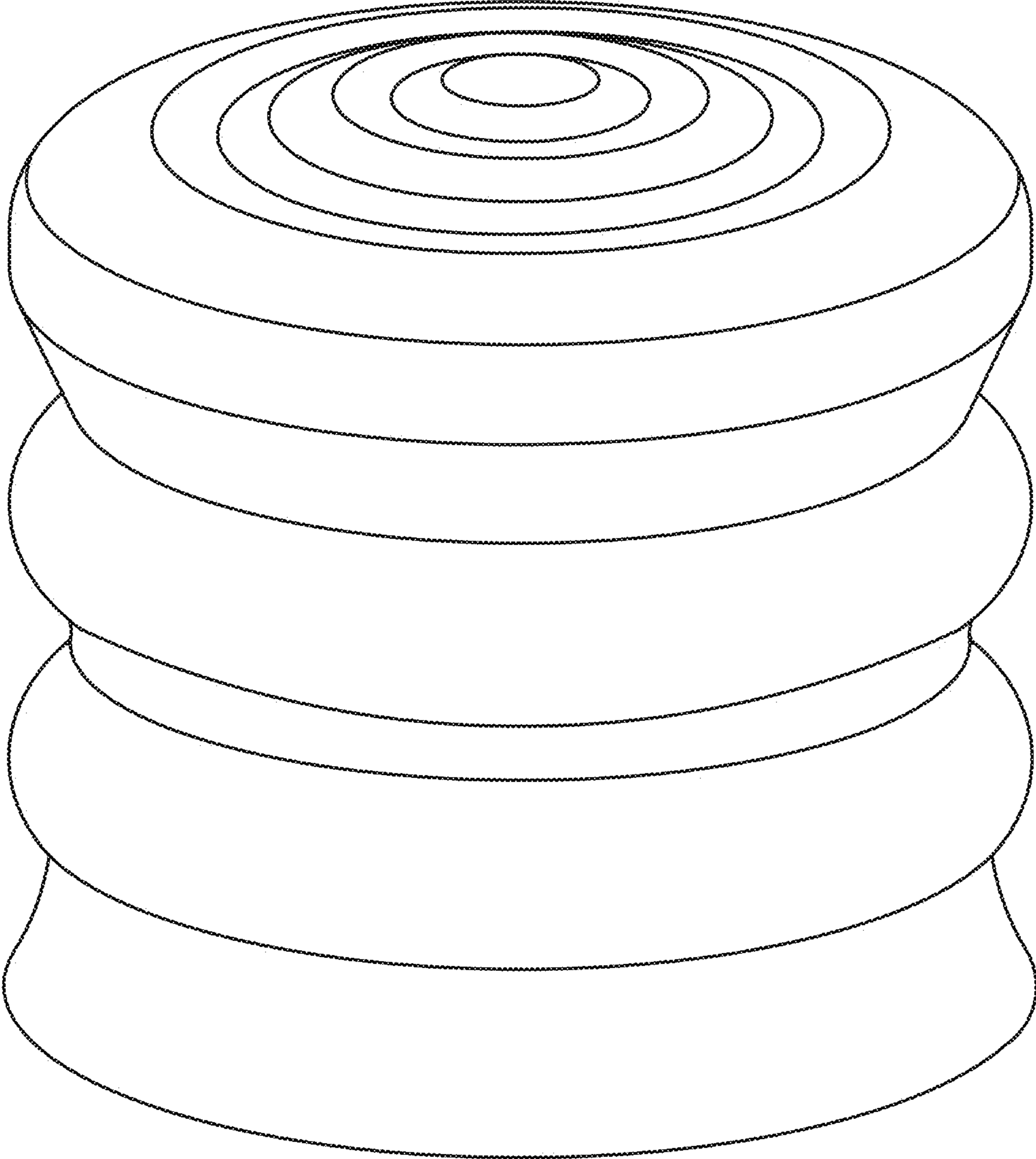


FIG. 1

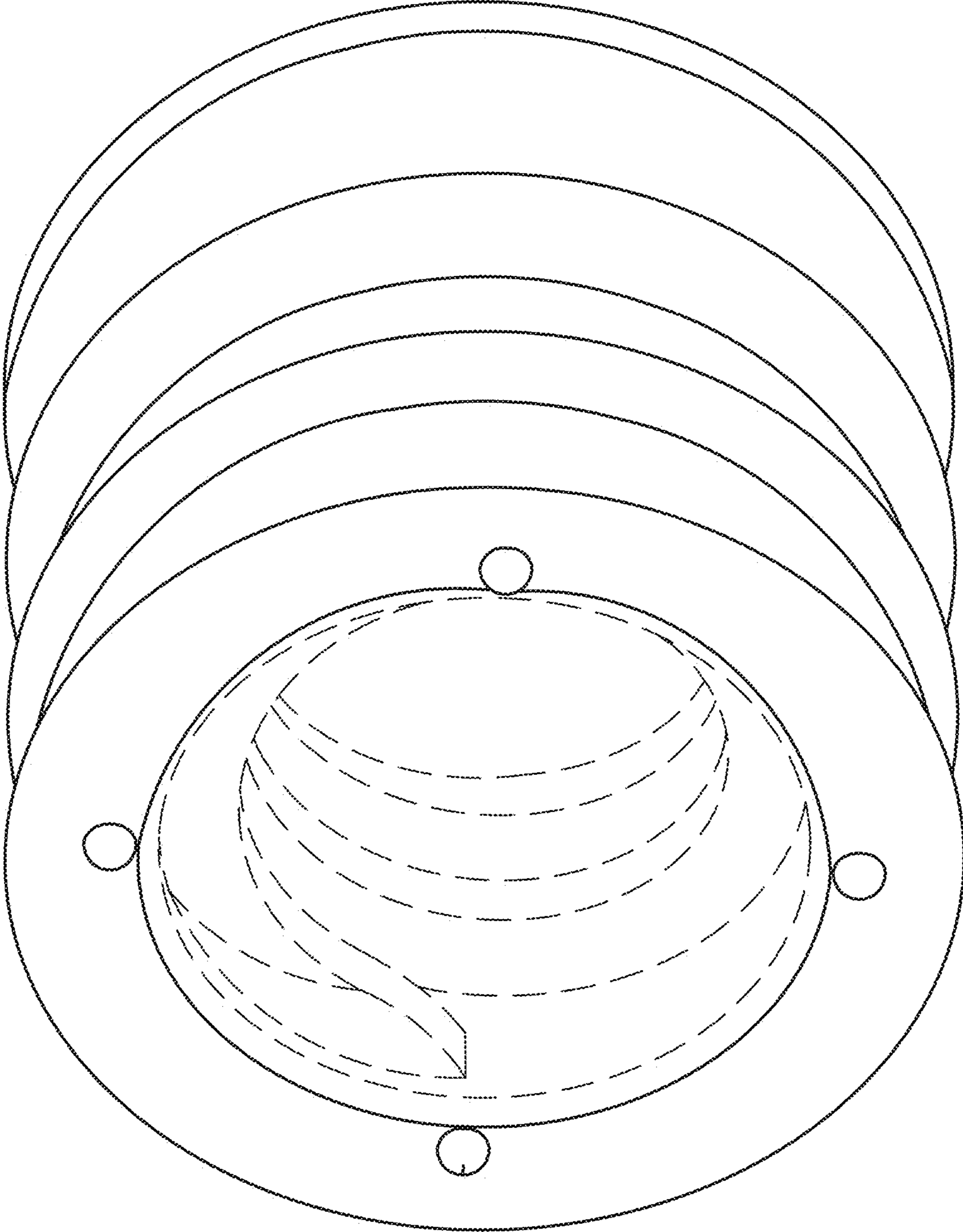


FIG.2

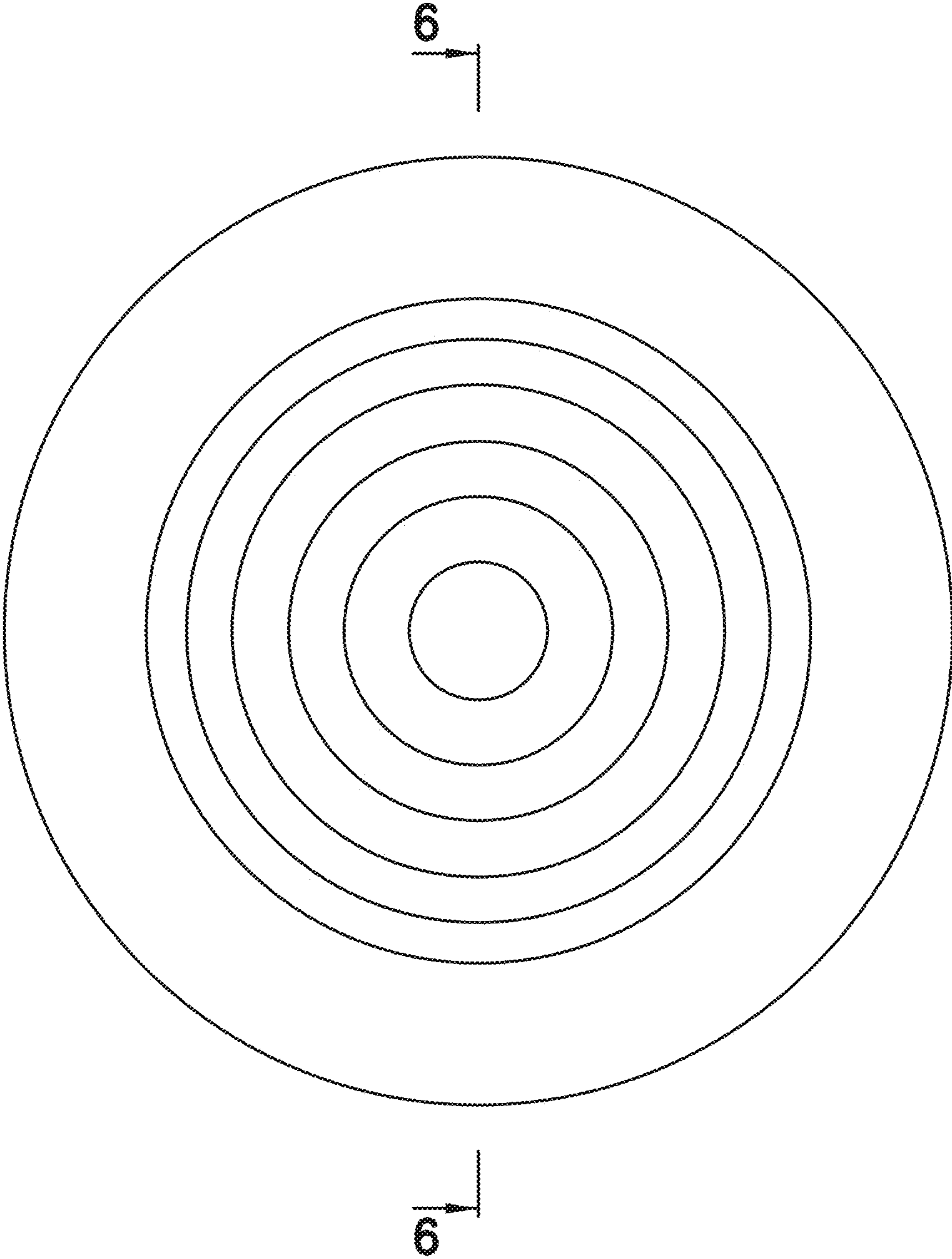


FIG.3

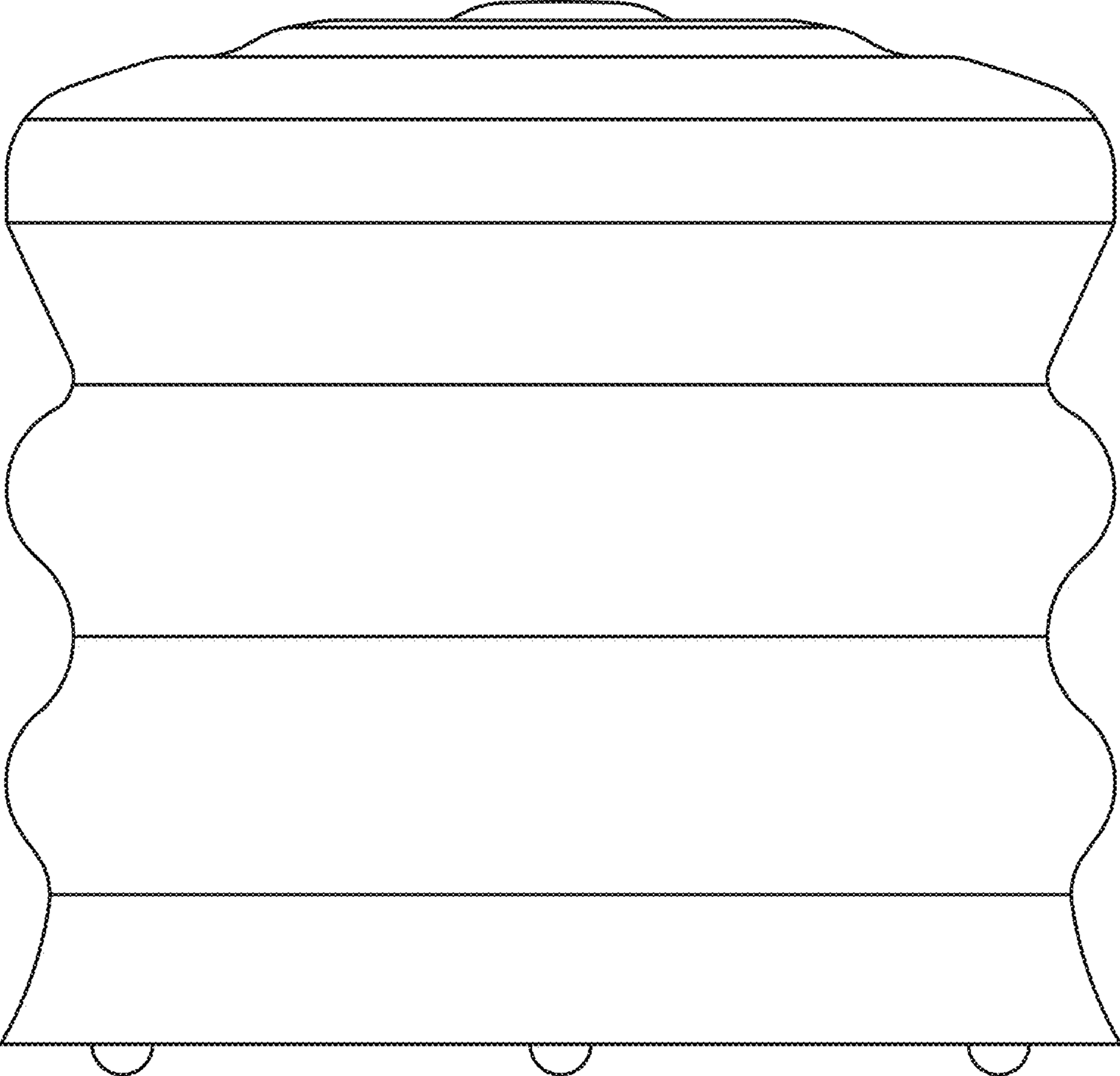


FIG.4

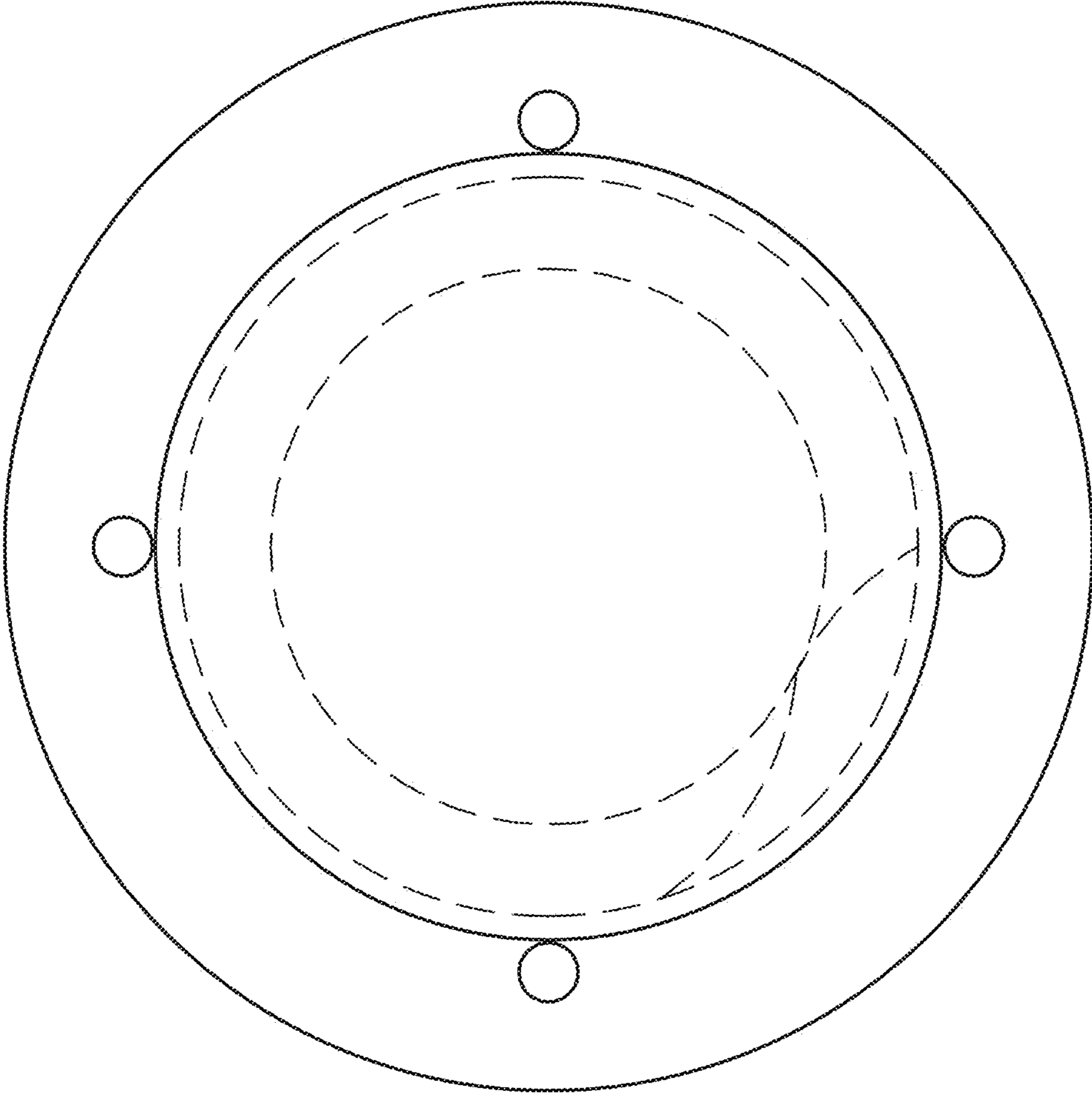


FIG.5

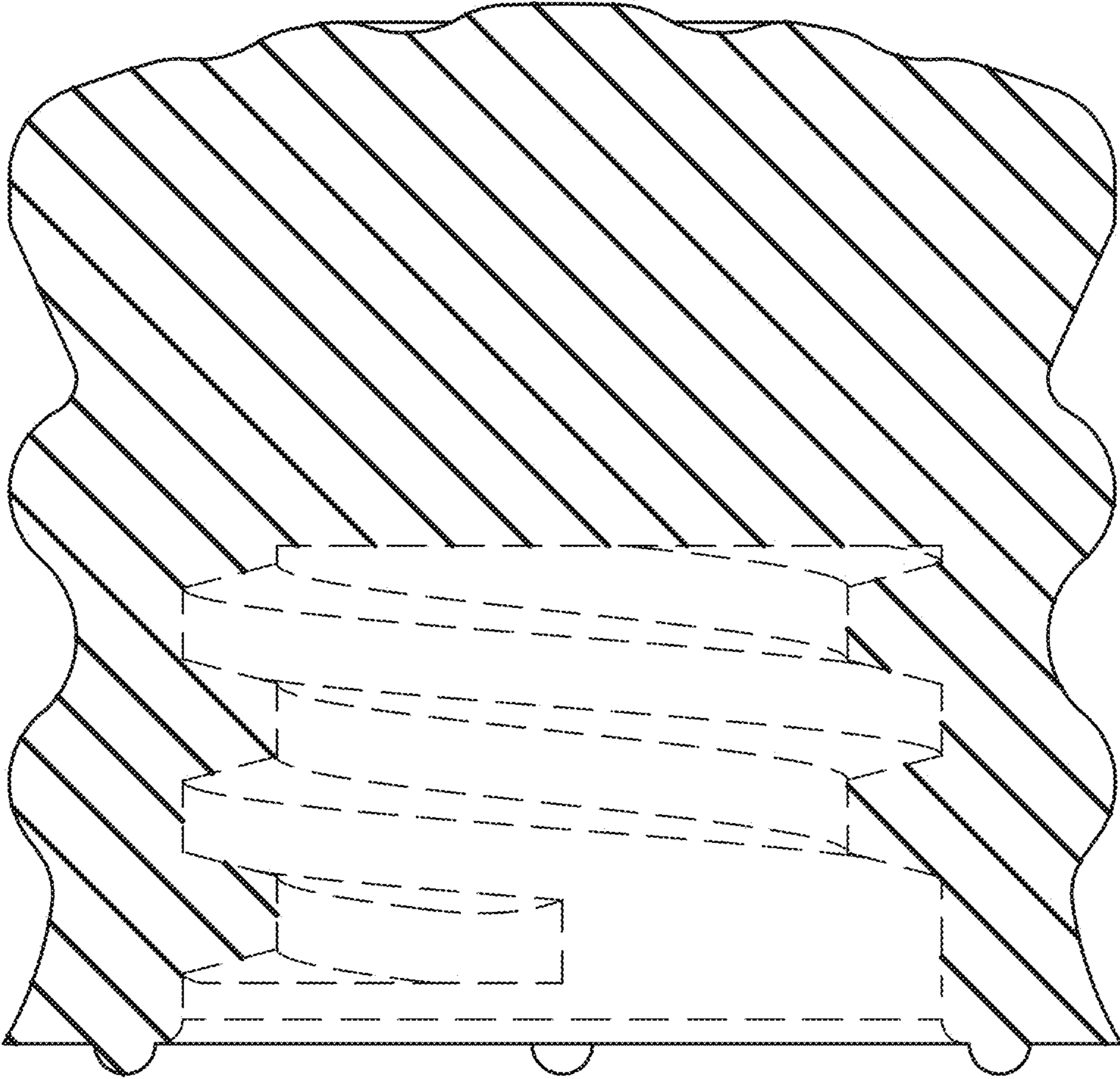


FIG.6