



US0D1041572S

(12) **United States Design Patent**  
**Gu**

(10) **Patent No.:** **US D1,041,572 S**

(45) **Date of Patent:** **\*\* Sep. 10, 2024**

(54) **ELECTRIC VEHICLE FOR KIDS**

D975,194 S \* 1/2023 Xu ..... D12/87  
D983,093 S \* 4/2023 Lyu ..... D12/107

(71) Applicant: **PINGHU LITTLE STAR TOYS CO., LTD**, Jiaxing (CN)

\* cited by examiner

(72) Inventor: **Liping Gu**, Pinghu (CN)

*Primary Examiner* — Cynthia M. Chin

(73) Assignee: **PINGHU LITTLE STAR TOYS CO., LTD**, Jiaxing (CN)

(74) *Attorney, Agent, or Firm* — George D. Morgan

(\*\*) Term: **15 Years**

(57) **CLAIM**

The ornamental design for an electric vehicle for kids, as shown and described.

(21) Appl. No.: **29/934,520**

**DESCRIPTION**

(22) Filed: **Mar. 26, 2024**

(51) **LOC (14) Cl.** ..... **21-01**

(52) **U.S. Cl.**  
USPC ..... **D21/433**

(58) **Field of Classification Search**  
USPC ..... D21/419, 424, 432–434, 533, 548, 551;  
D12/87, 107  
CPC ..... B62K 9/00; B62K 5/01; A63H 30/00  
See application file for complete search history.

FIG. 1 is a front perspective view of an electric vehicle for kids, showing my new design;  
FIG. 2 is a rear perspective view thereof;  
FIG. 3 is a front view thereof;  
FIG. 4 is a rear view thereof;  
FIG. 5 is a left side view thereof;  
FIG. 6 is a right side view thereof;  
FIG. 7 is a top view thereof;  
FIG. 8 is a bottom view thereof;  
FIG. 9 is an enlarged detail view of area 9 in FIG. 1;  
FIG. 10 is an enlarged detail view of area 10 in FIG. 1;  
FIG. 11 is an enlarged detail view of area 11 in FIG. 1;  
FIG. 12 is an enlarged detail view of area 12 in FIG. 1;  
FIG. 13 is an enlarged detail view of area 13 in FIG. 2; and,  
FIG. 14 is an enlarged detail view of area 14 in FIG. 2.

(56) **References Cited**

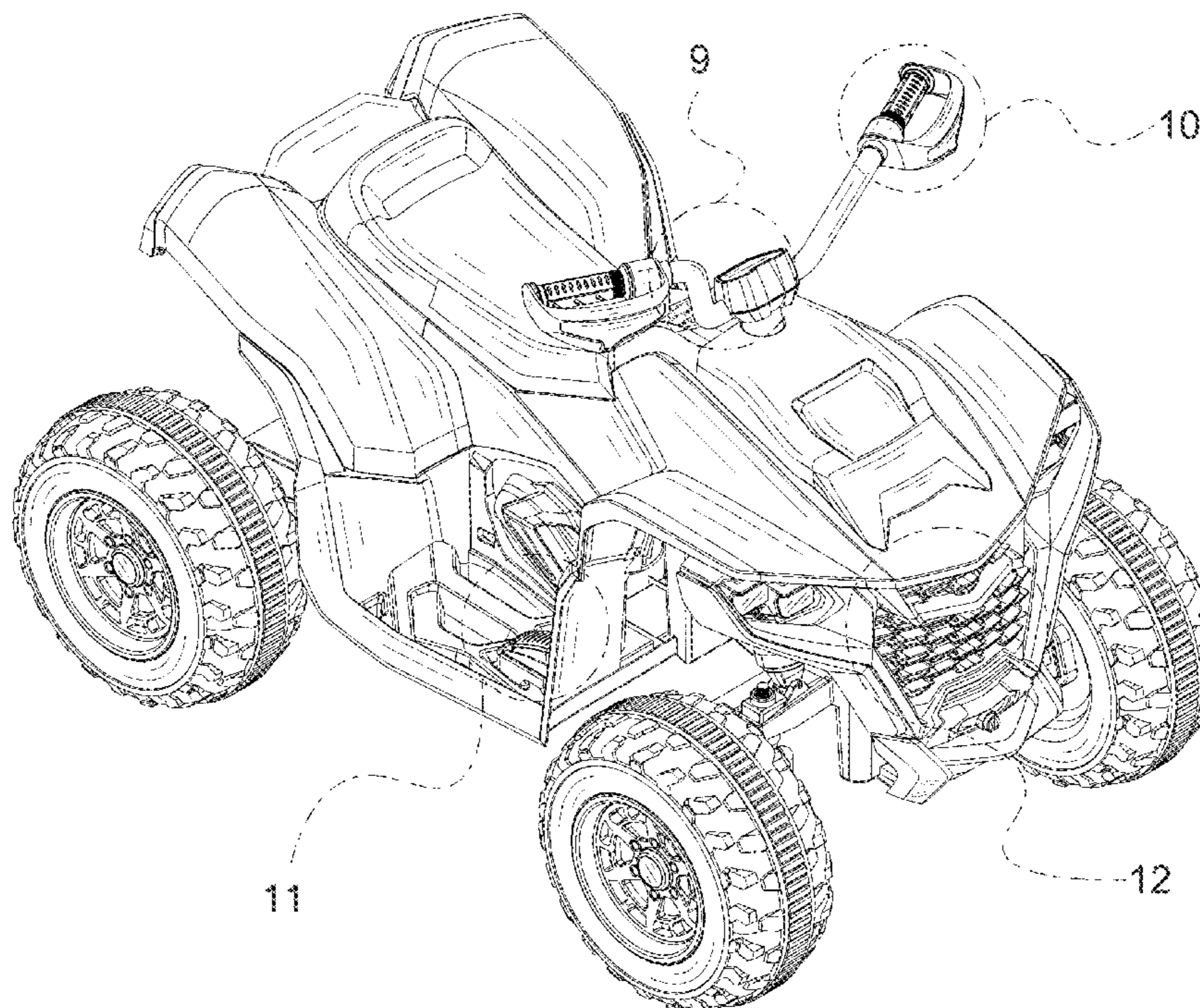
**U.S. PATENT DOCUMENTS**

D299,663 S	*	1/1989	Harrod	.....	D21/432
D533,603 S		12/2006	Chung		
D534,591 S	*	1/2007	Chung	.....	D21/432
D643,480 S	*	8/2011	Lai	.....	D21/424
D761,698 S	*	7/2016	Umemoto	.....	D12/87
D787,985 S	*	5/2017	Wilcox	.....	D12/87
D832,149 S	*	10/2018	Wilcox	.....	D12/87
D854,624 S	*	7/2019	Talios	.....	D21/432
D885,493 S	*	5/2020	Talios	.....	D21/432
D937,710 S	*	12/2021	Dunn	.....	D12/87

The broken lines in the drawings illustrate the portions of the electric vehicle for kids, which form no part of the claimed design.

The dash-dot-dash broken lines encircling the enlarged views are for annotative purposes only and form no part of the claim thereof.

**1 Claim, 14 Drawing Sheets**



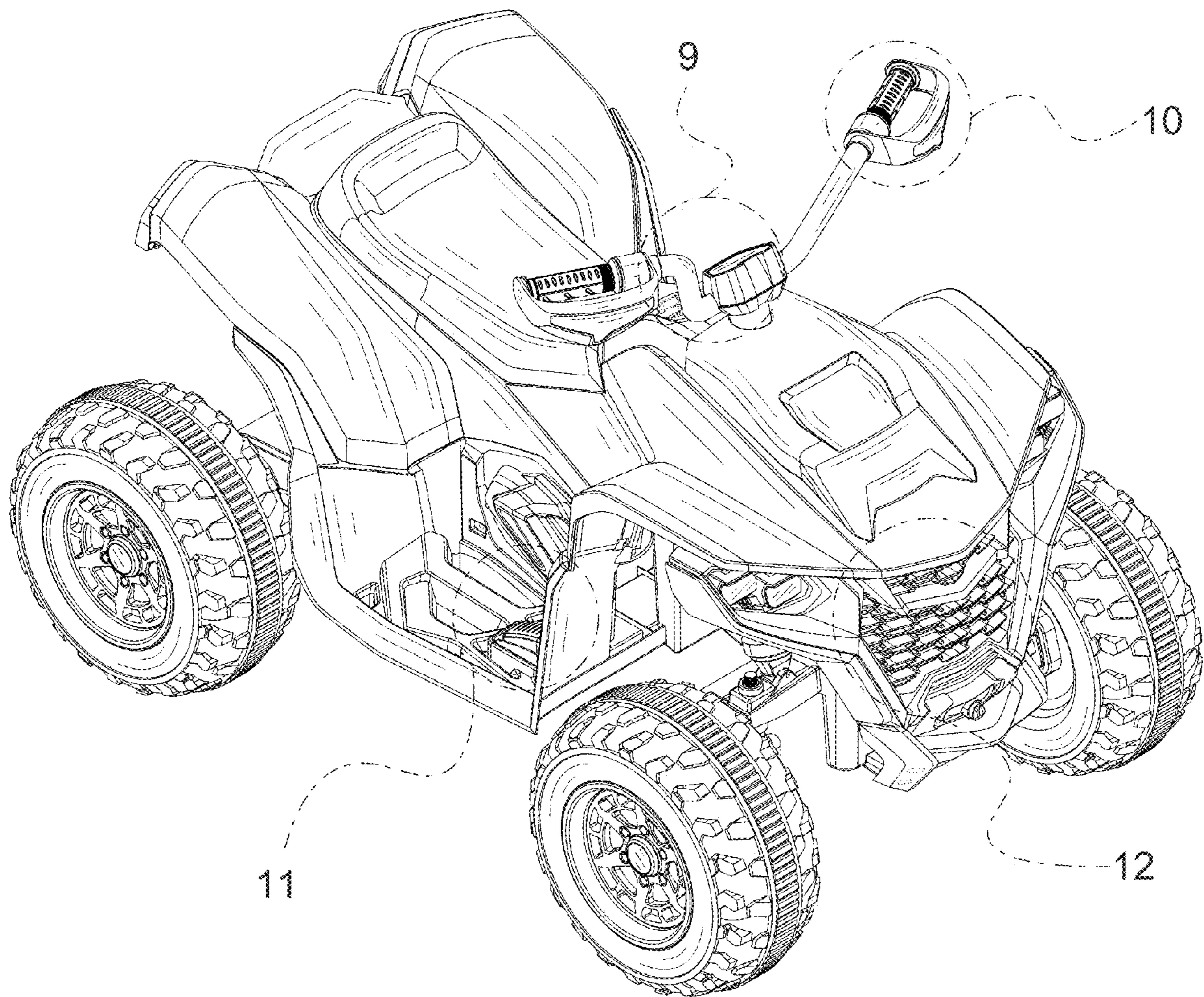


FIG. 1

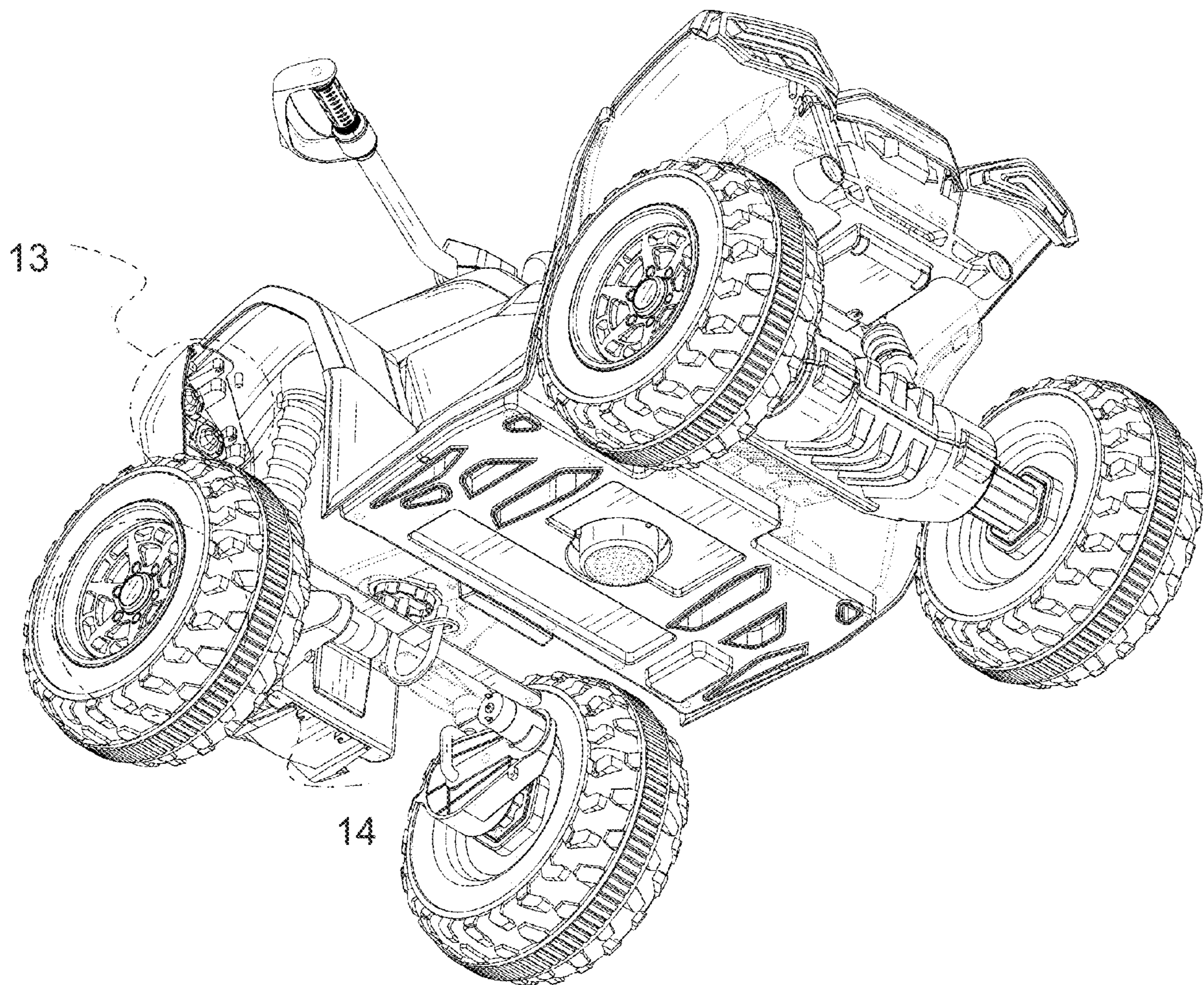


FIG. 2

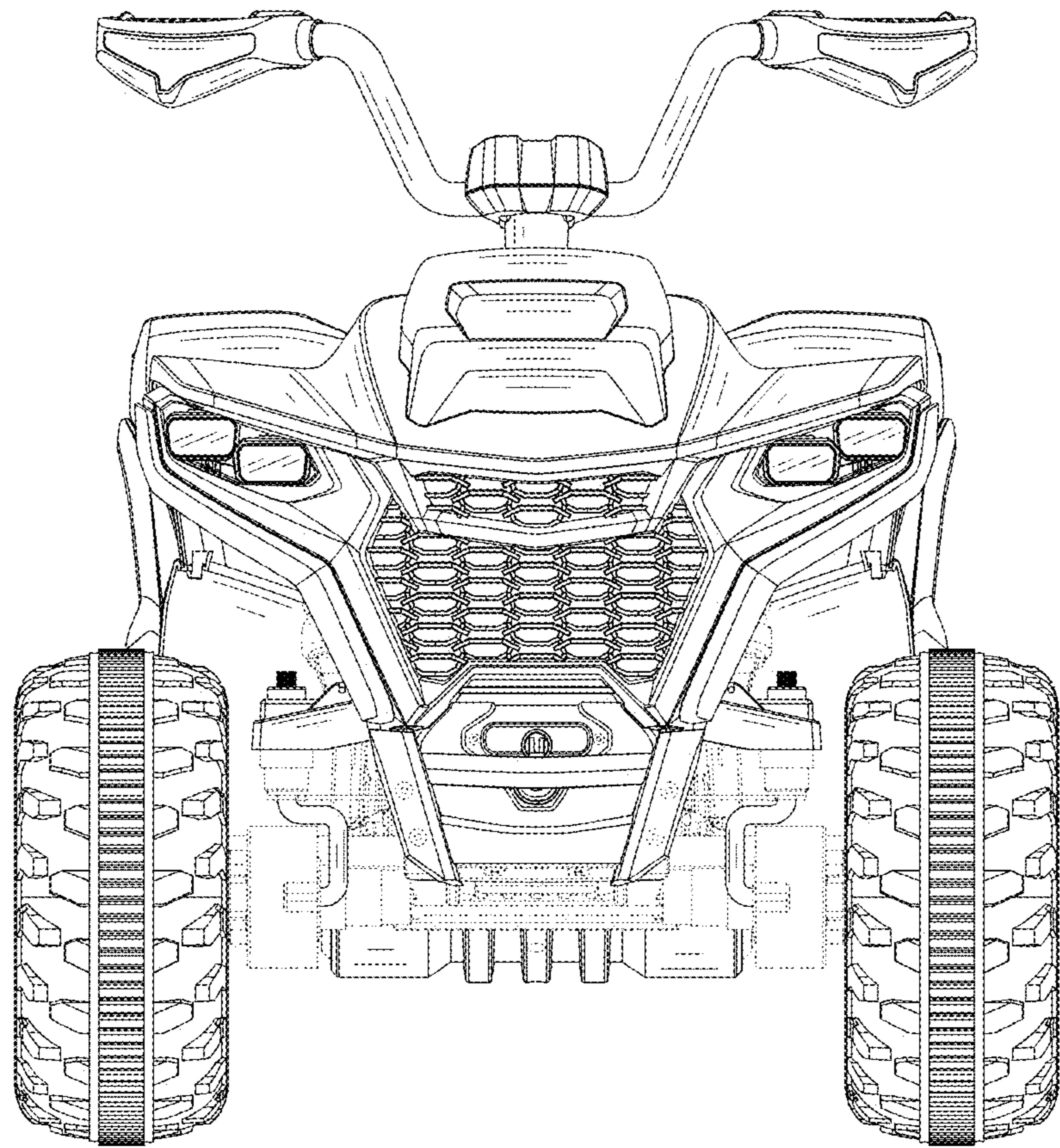


FIG. 3

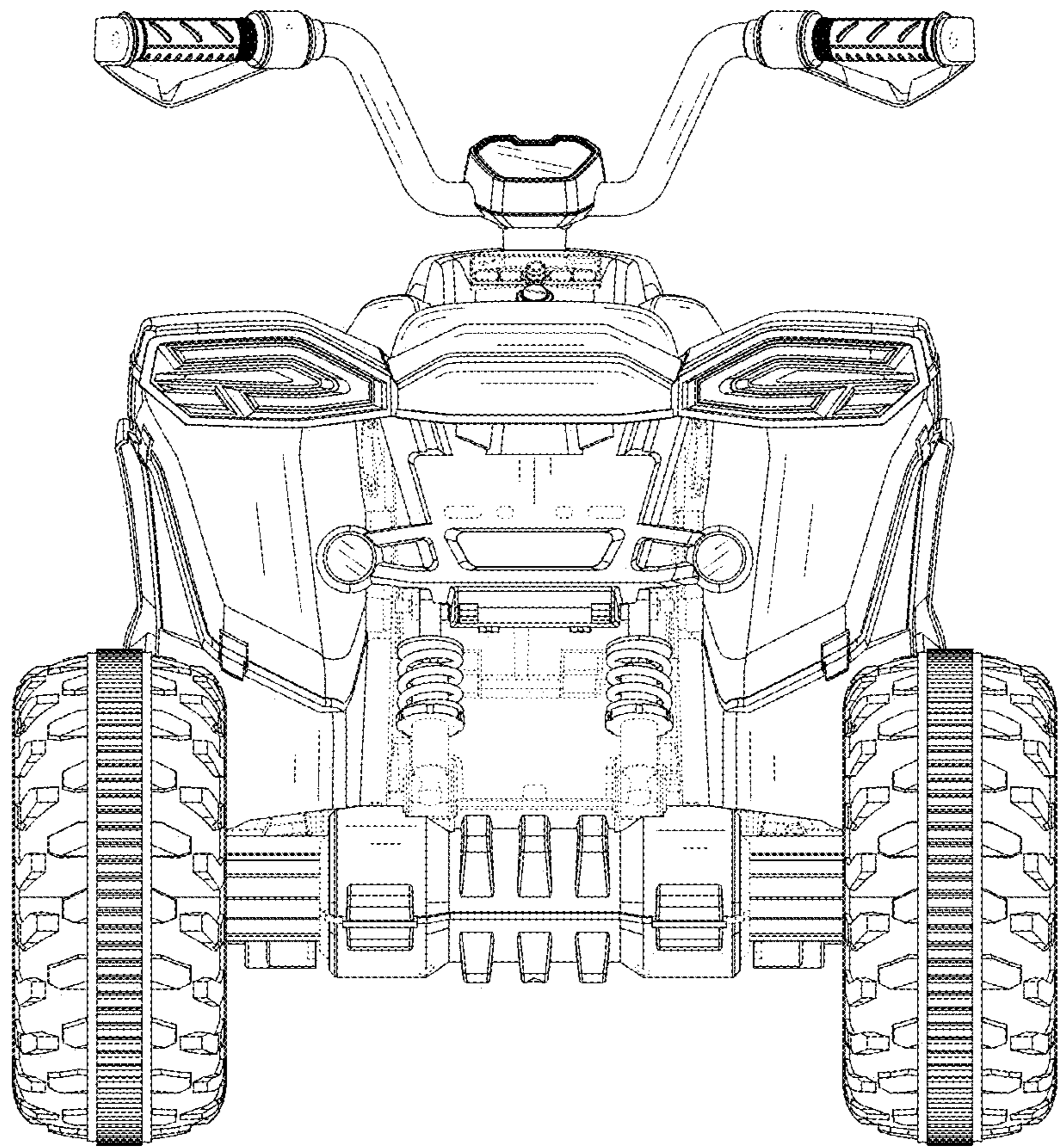


FIG. 4

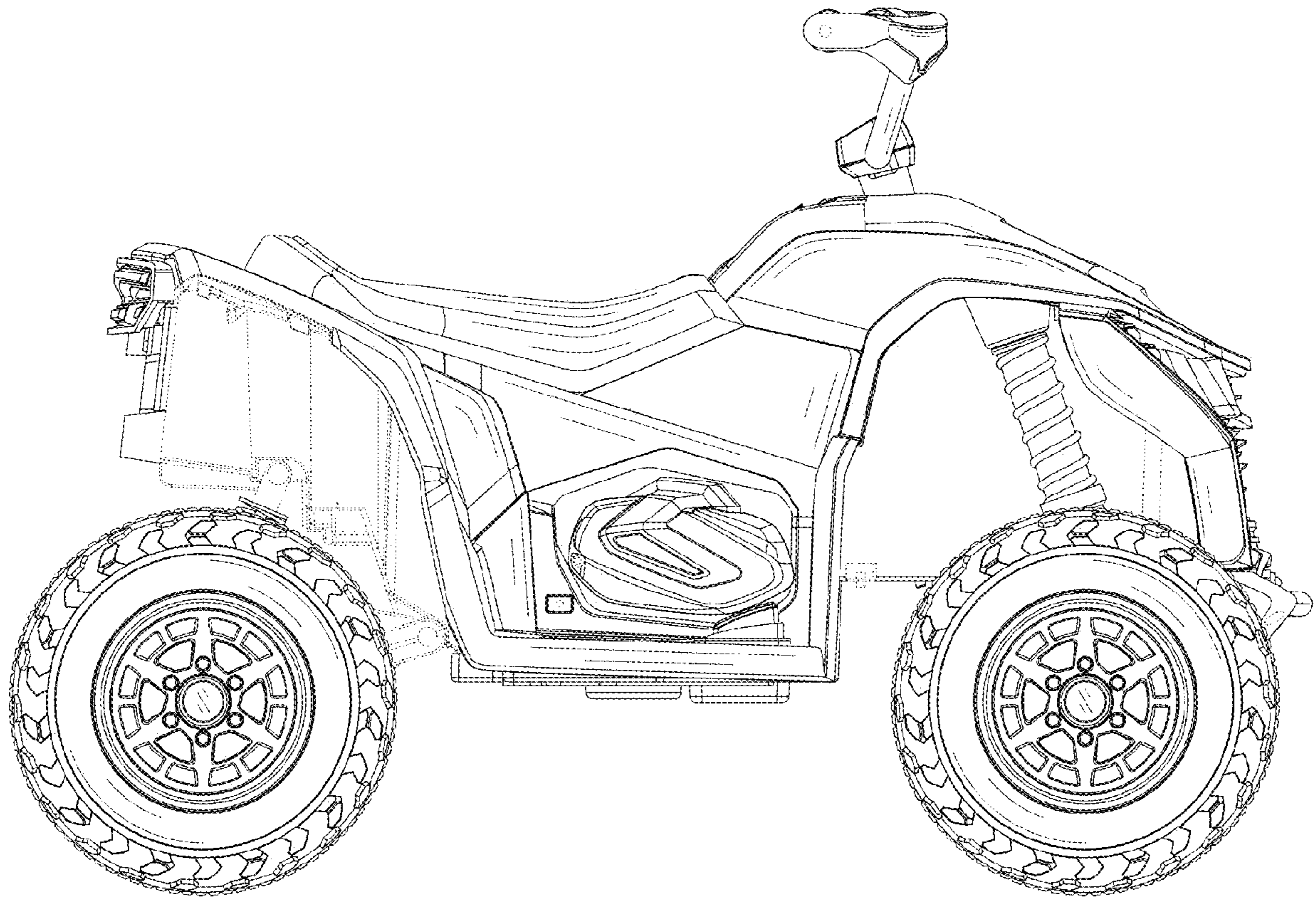


FIG. 5

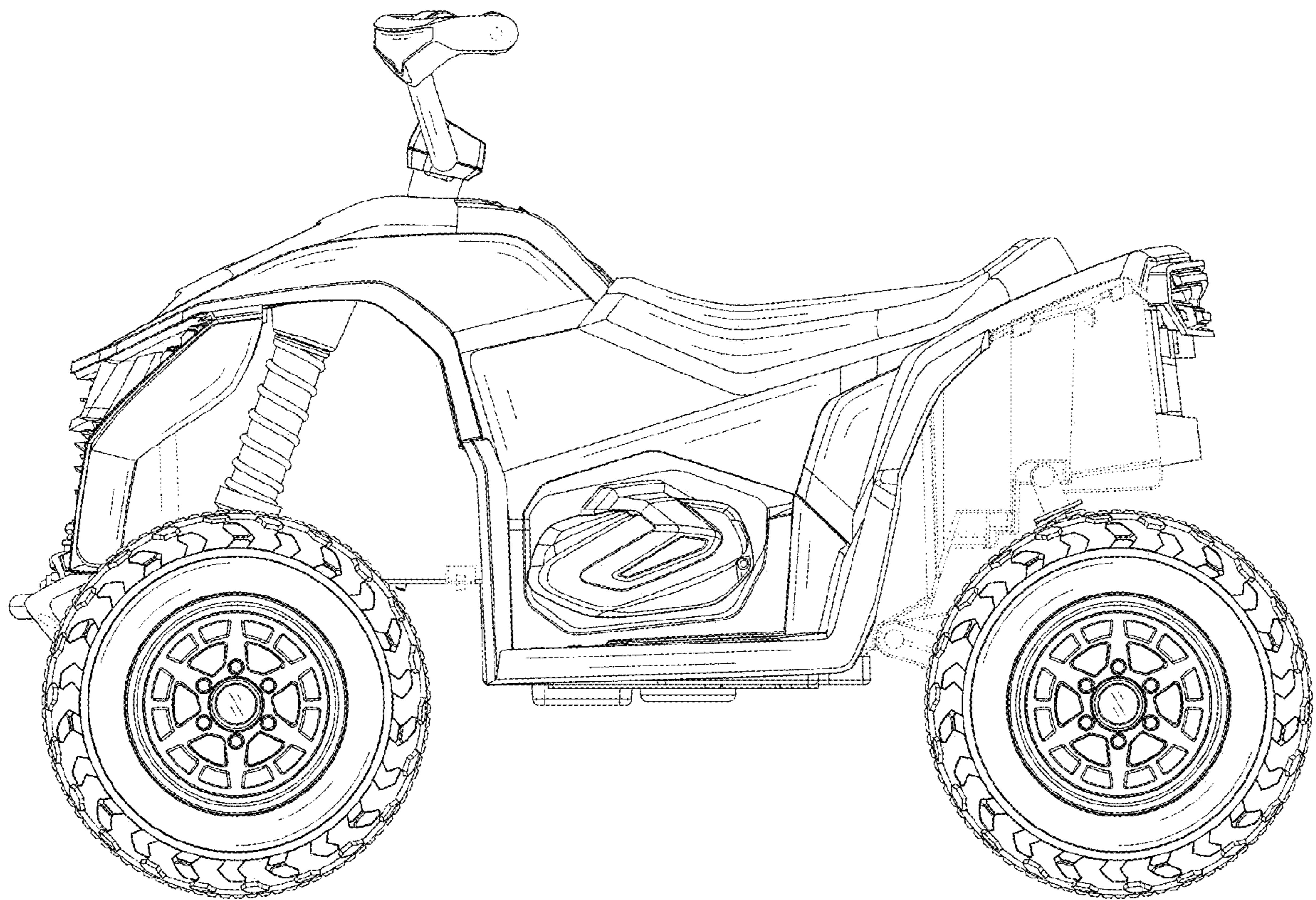


FIG. 6

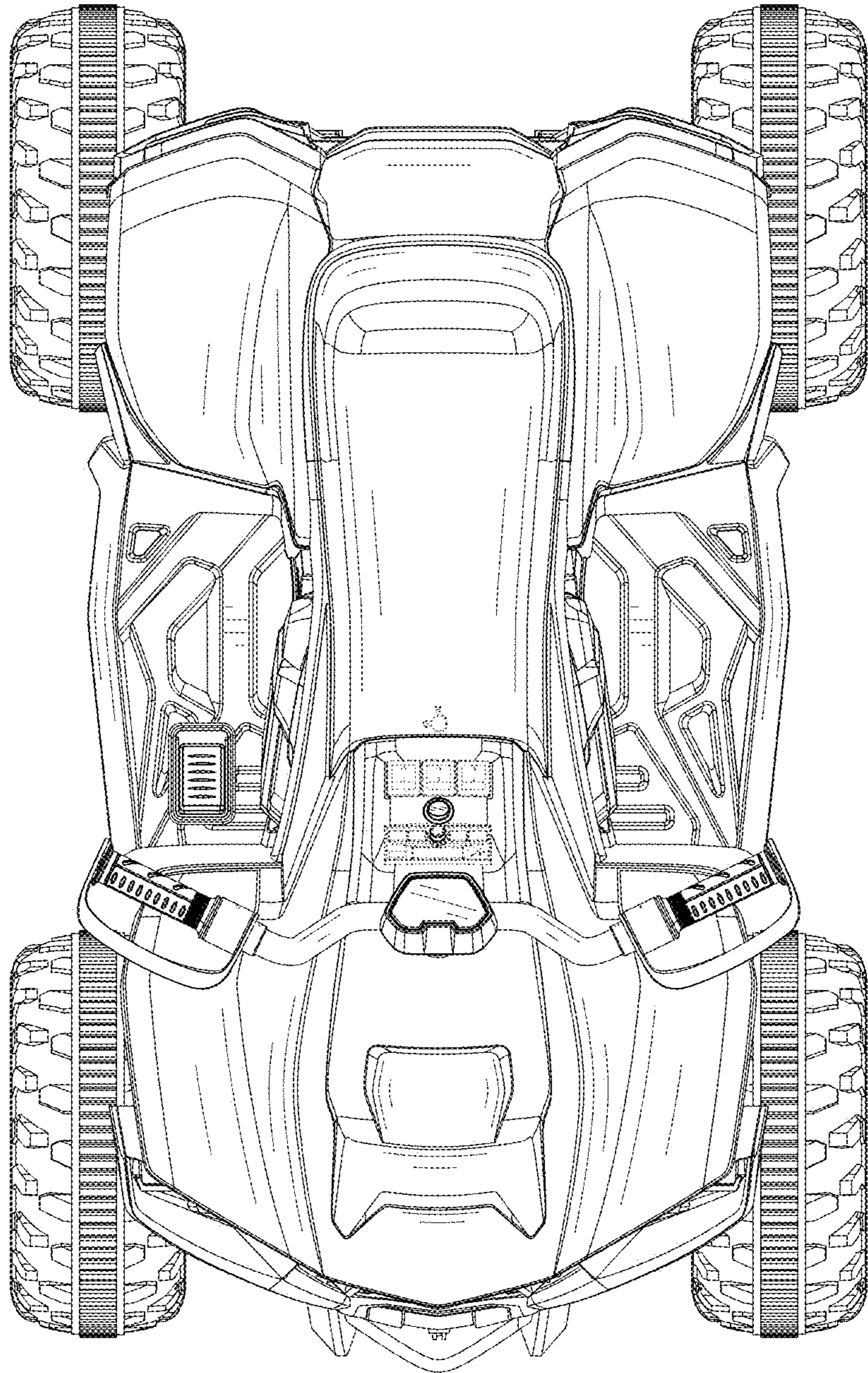


FIG. 7



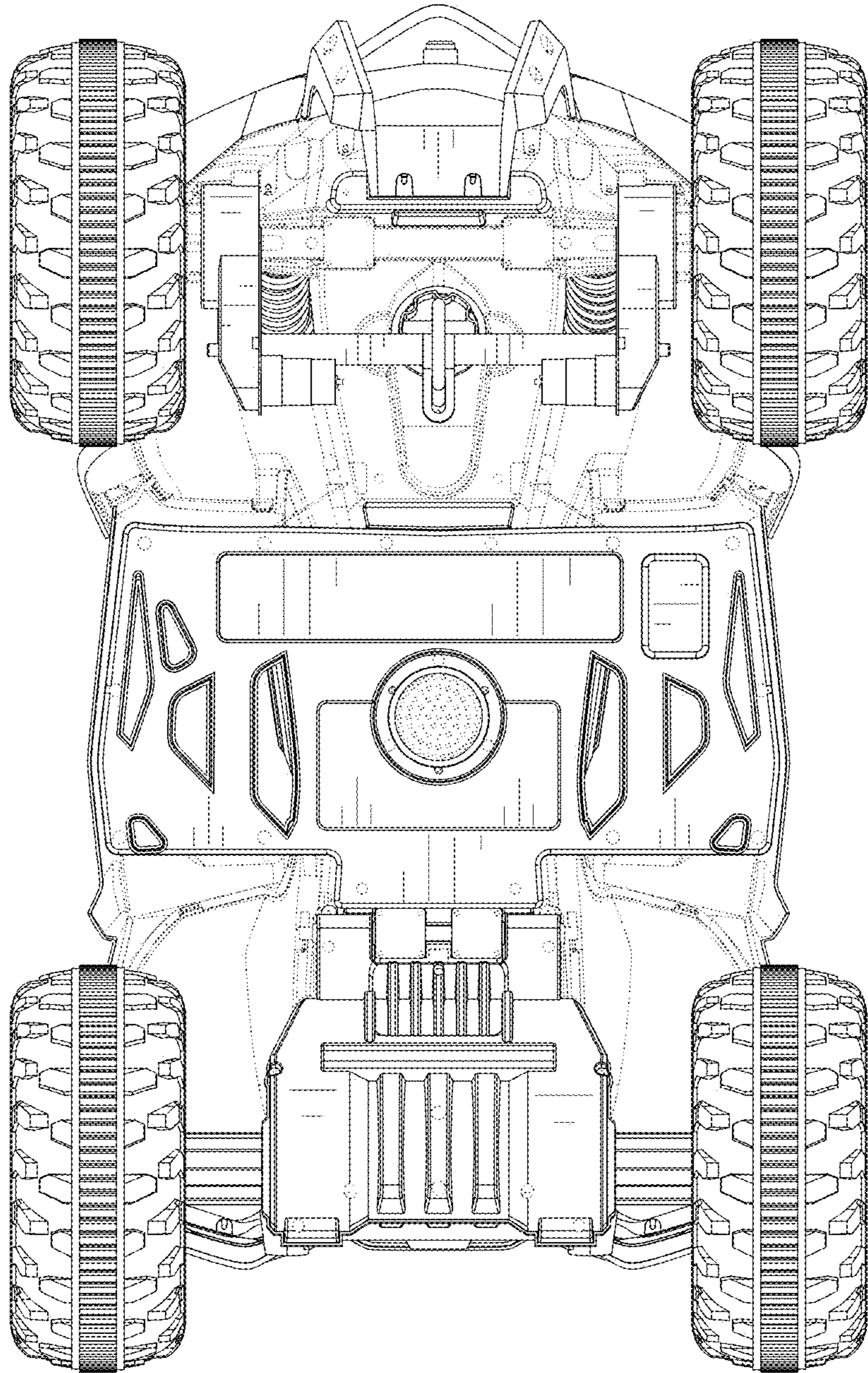


FIG. 8

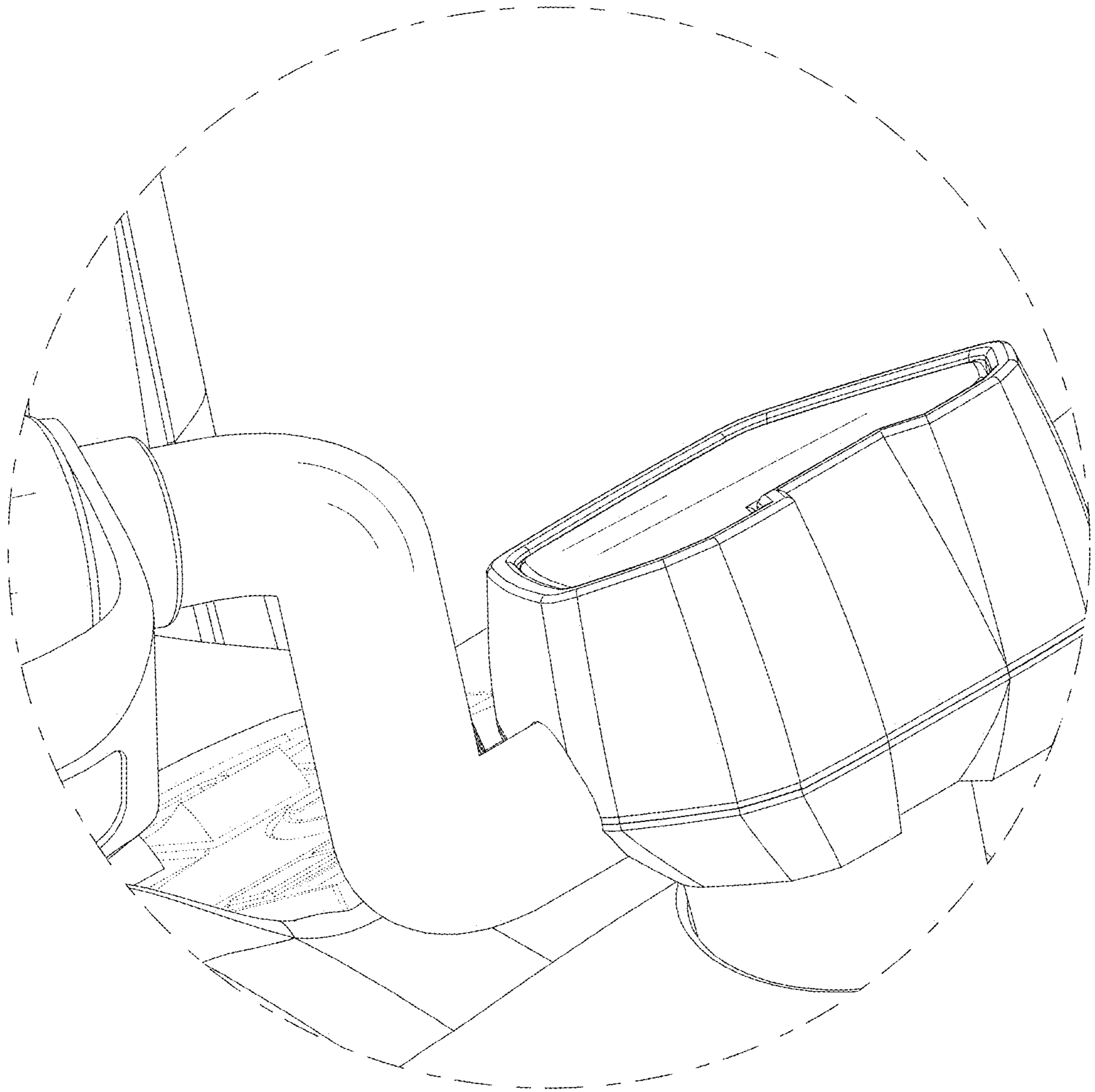


FIG. 9

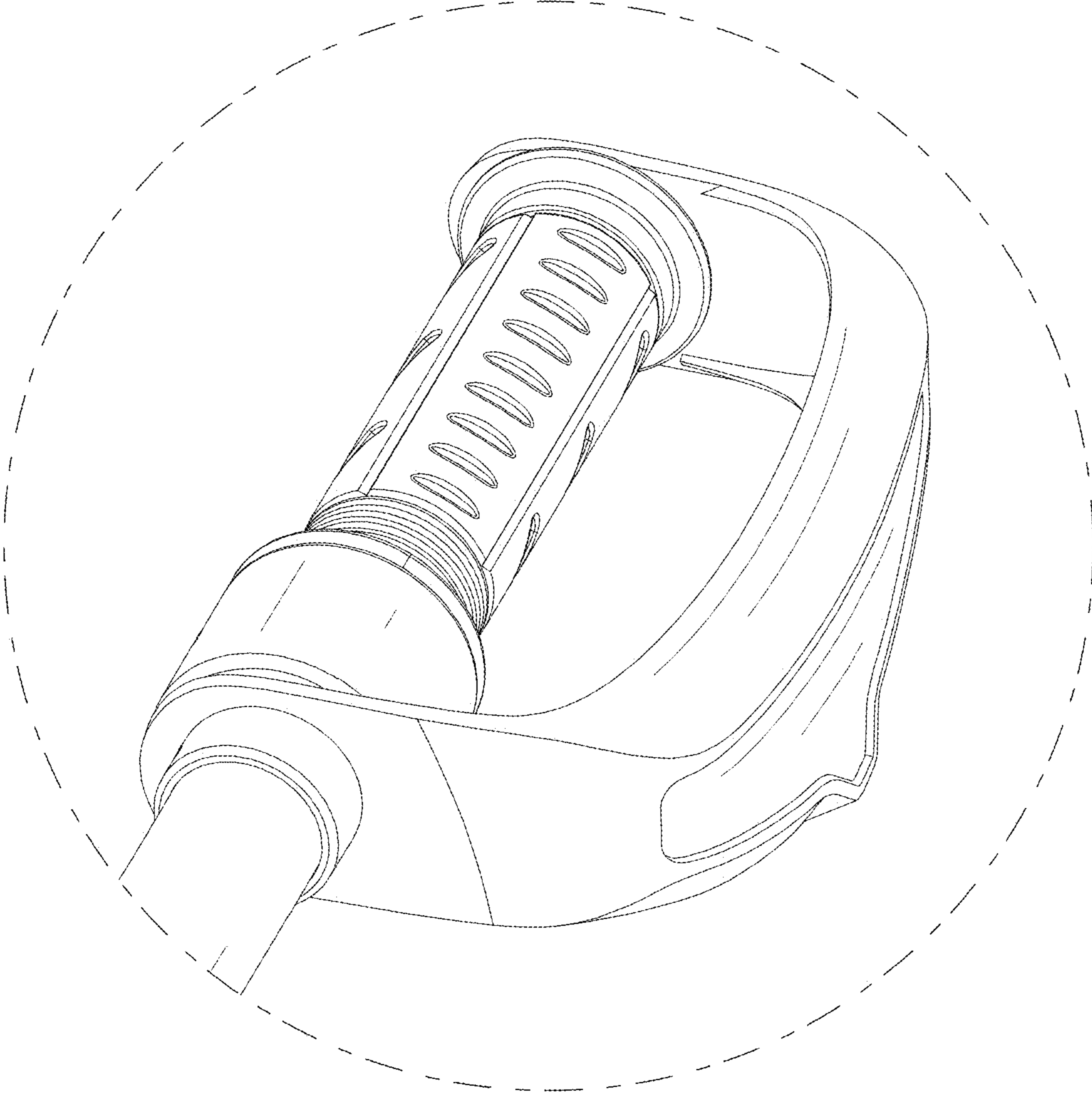


FIG. 10

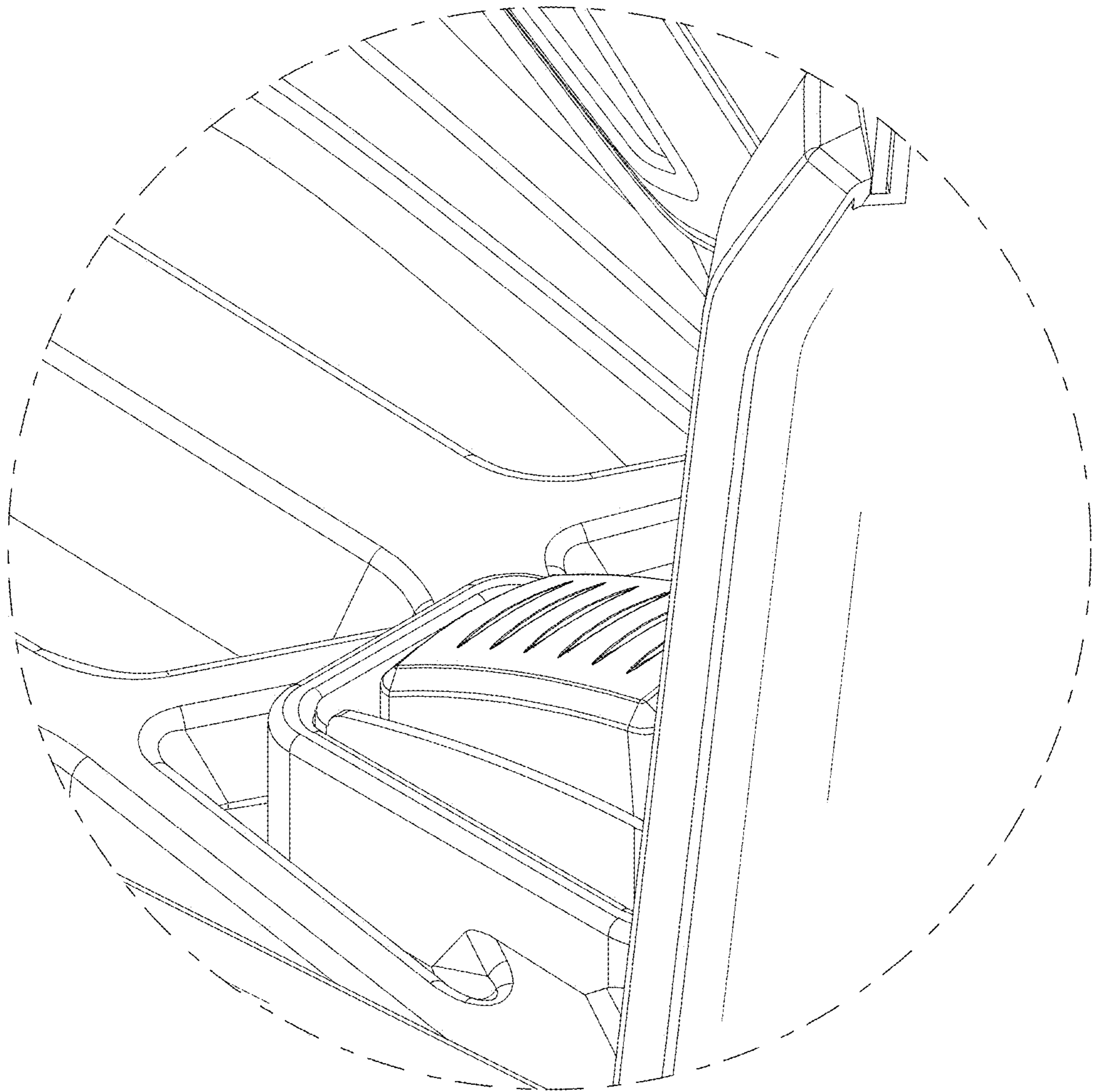


FIG. 11

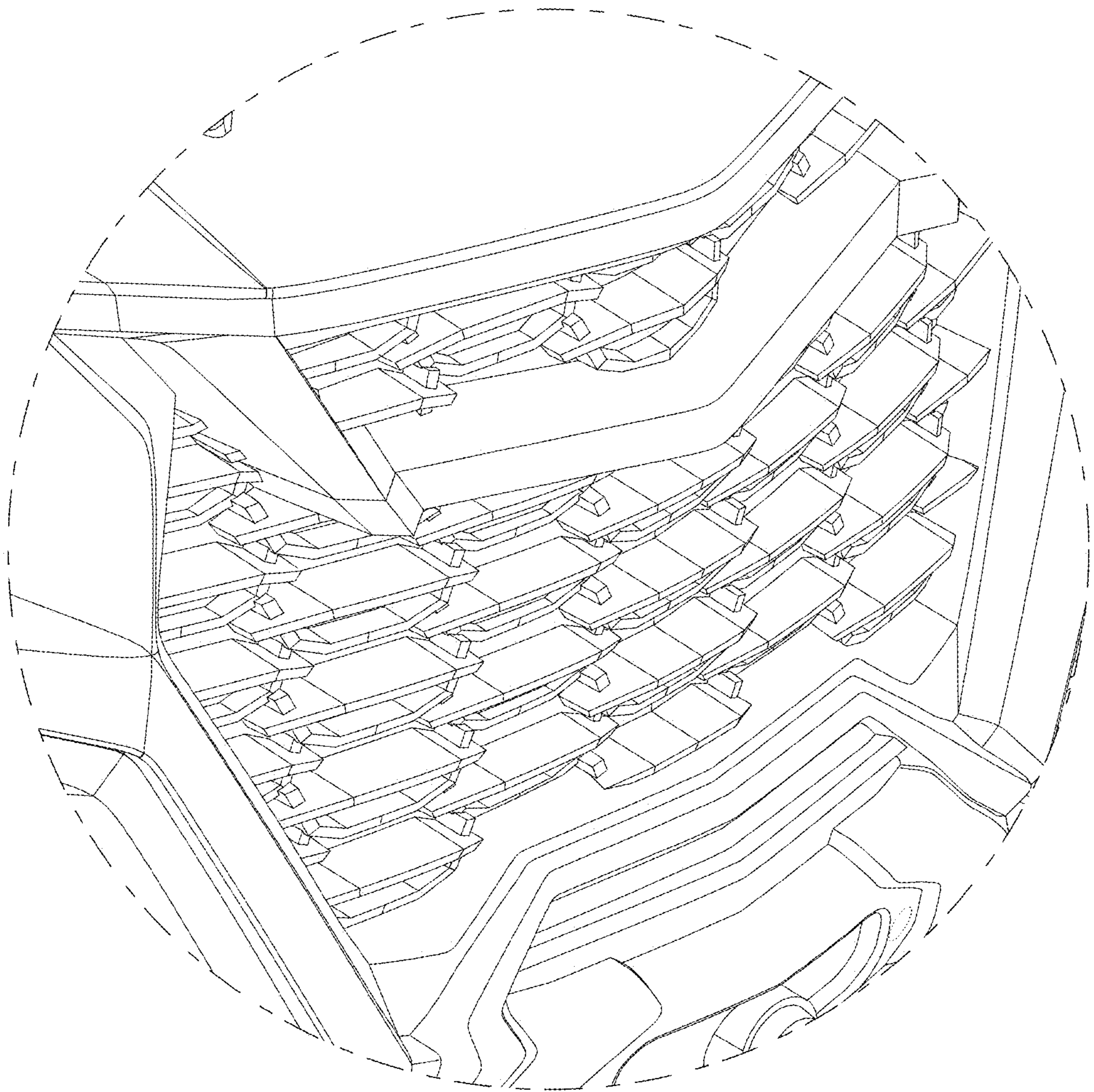


FIG. 12

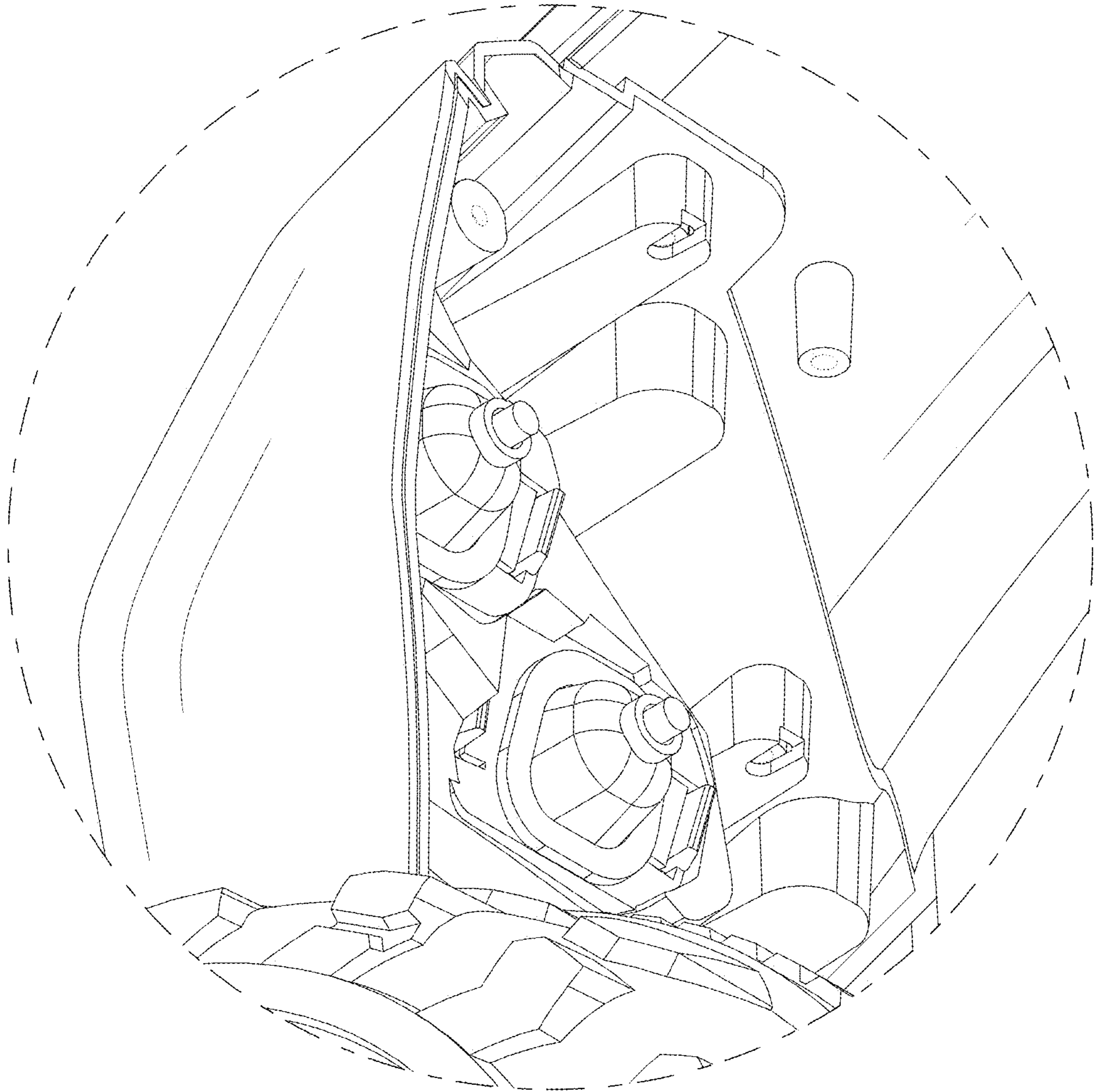


FIG. 13

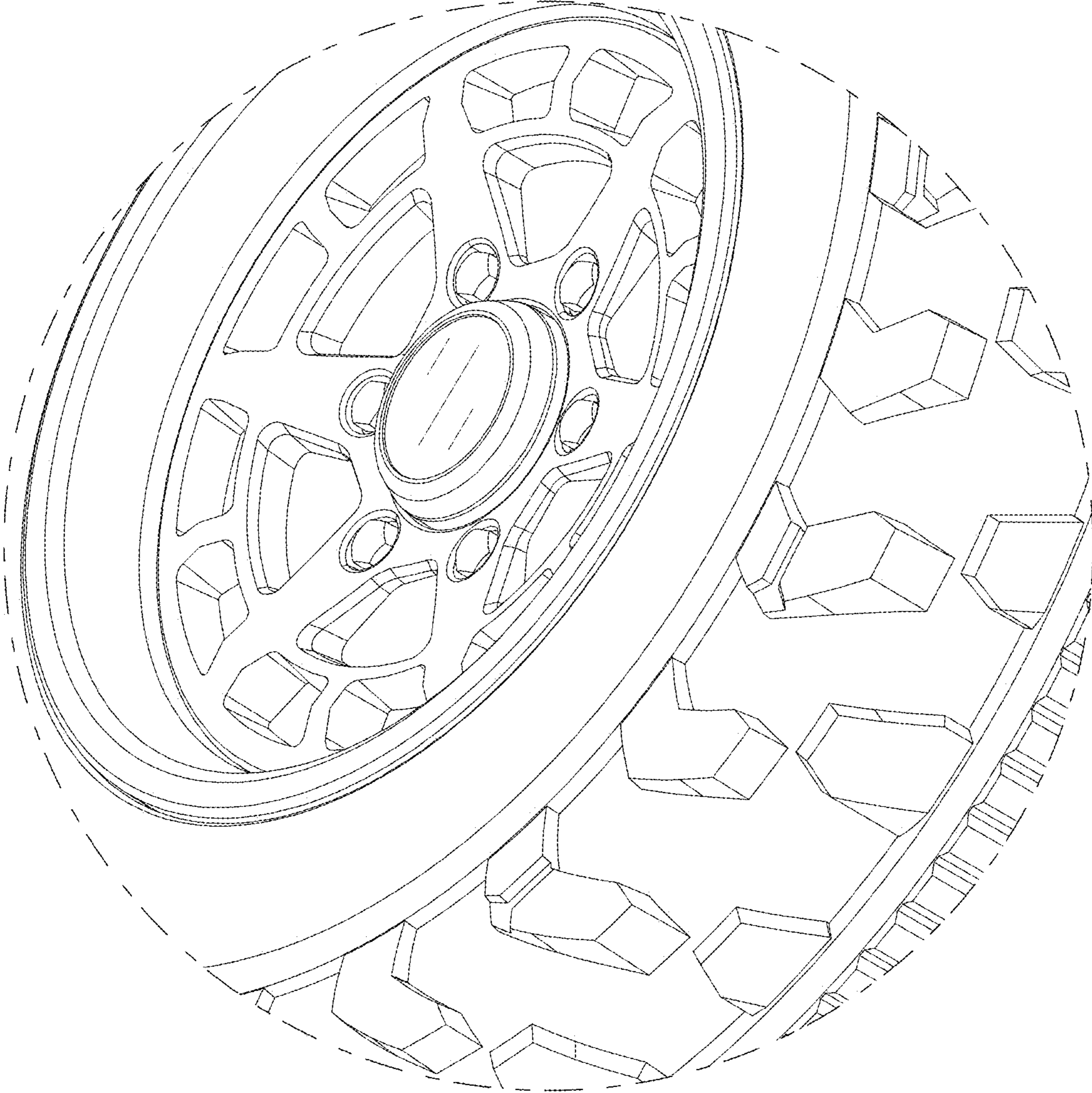


FIG. 14