



US0D1041462S

(12) **United States Design Patent**
Hu

(10) **Patent No.:** **US D1,041,462 S**
(45) **Date of Patent:** **** Sep. 10, 2024**

(54) **MAGNETIC CAR MOUNT**

(71) Applicant: **Mingzhe Hu**, San Jose, CA (US)

(72) Inventor: **Mingzhe Hu**, San Jose, CA (US)

(**) Term: **15 Years**

(21) Appl. No.: **29/798,790**

(22) Filed: **Jul. 9, 2021**

(51) **LOC (14) Cl.** **14-03**

(52) **U.S. Cl.**
USPC **D14/253**

(58) **Field of Classification Search**
USPC D14/251–253, 447; D12/415; D8/354
CPC H04M 1/04; H04M 1/12
See application file for complete search history.

(56) **References Cited**

U.S. PATENT DOCUMENTS

D545,812 S *	7/2007	Grady	D14/496
D765,623 S *	9/2016	Yang	D14/224
D777,022 S	1/2017	Barnett		
D818,808 S	5/2018	Barnett		
D835,091 S	12/2018	Torrance		
D874,385 S *	2/2020	Jang	D12/415
D890,158 S *	7/2020	Alves	D14/253
D907,626 S *	1/2021	Barnett	D14/253
D975,716 S *	1/2023	Natsume	D14/454
D979,555 S *	2/2023	Chen	D14/253
D981,374 S *	3/2023	Rath	D14/251
D985,543 S *	5/2023	Wei	D14/224
D1,006,010 S *	11/2023	McSweyn	D14/253

D1,006,713 S *	12/2023	Shen	D12/415
D1,016,595 S *	3/2024	Boyes	D8/349
D1,027,928 S *	5/2024	Chen	D14/253

OTHER PUBLICATIONS

Magnetic Phone Car Mount Vent, <https://www.amazon.com/Magnetic-Phone-Macally-Upgraded-Holder/dp/B0849Z69R7>.
PopMagnetz Magnetic Add-On—Adjustable & Removable for Car Mounts, <https://www.amazon.com/PopMagnetz-Magnetic-Add-Pop-Grips/dp/B0893PYXDV>.
PopSockets PopMount Windshield Mount, <https://www.target.com/p/popsockets-popmount-desk-car-dash-38-windshield-mount-white/-/A-80399605#lnk=sametab>.

* cited by examiner

Primary Examiner — Janice Hallmark

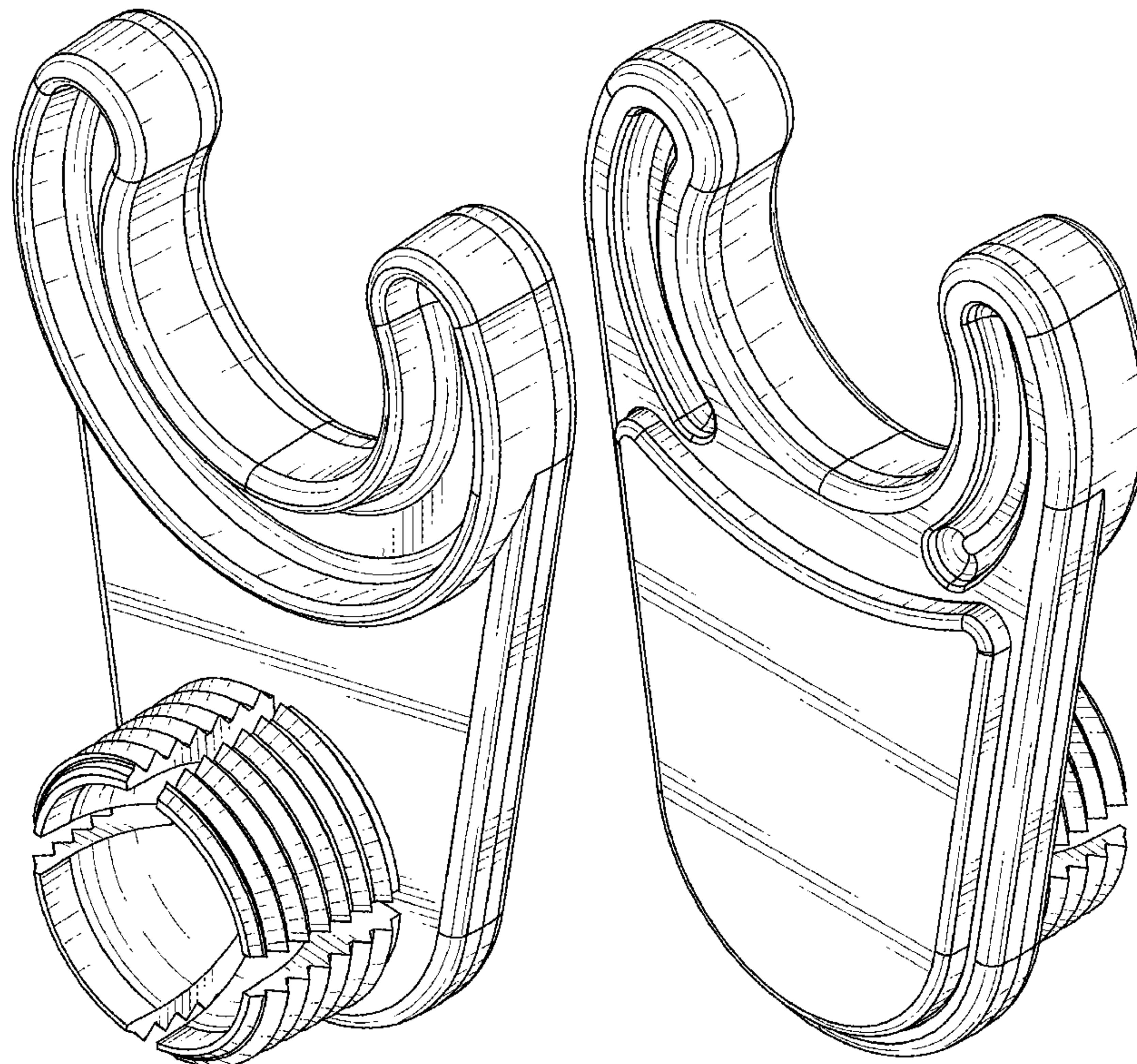
(57) **CLAIM**

The ornamental design for a magnetic car mount, as shown and described.

DESCRIPTION

FIG. 1 is a front-top-left perspective view of a magnetic car mount showing my new design;
FIG. 2 is a rear-top-right perspective view thereof;
FIG. 3 is a front elevational view thereof;
FIG. 4 is a rear elevational view thereof;
FIG. 5 is a left elevational view thereof;
FIG. 6 is a right elevational view thereof;
FIG. 7 is a top plan view thereof; and,
FIG. 8 is a bottom plan view thereof.

1 Claim, 8 Drawing Sheets



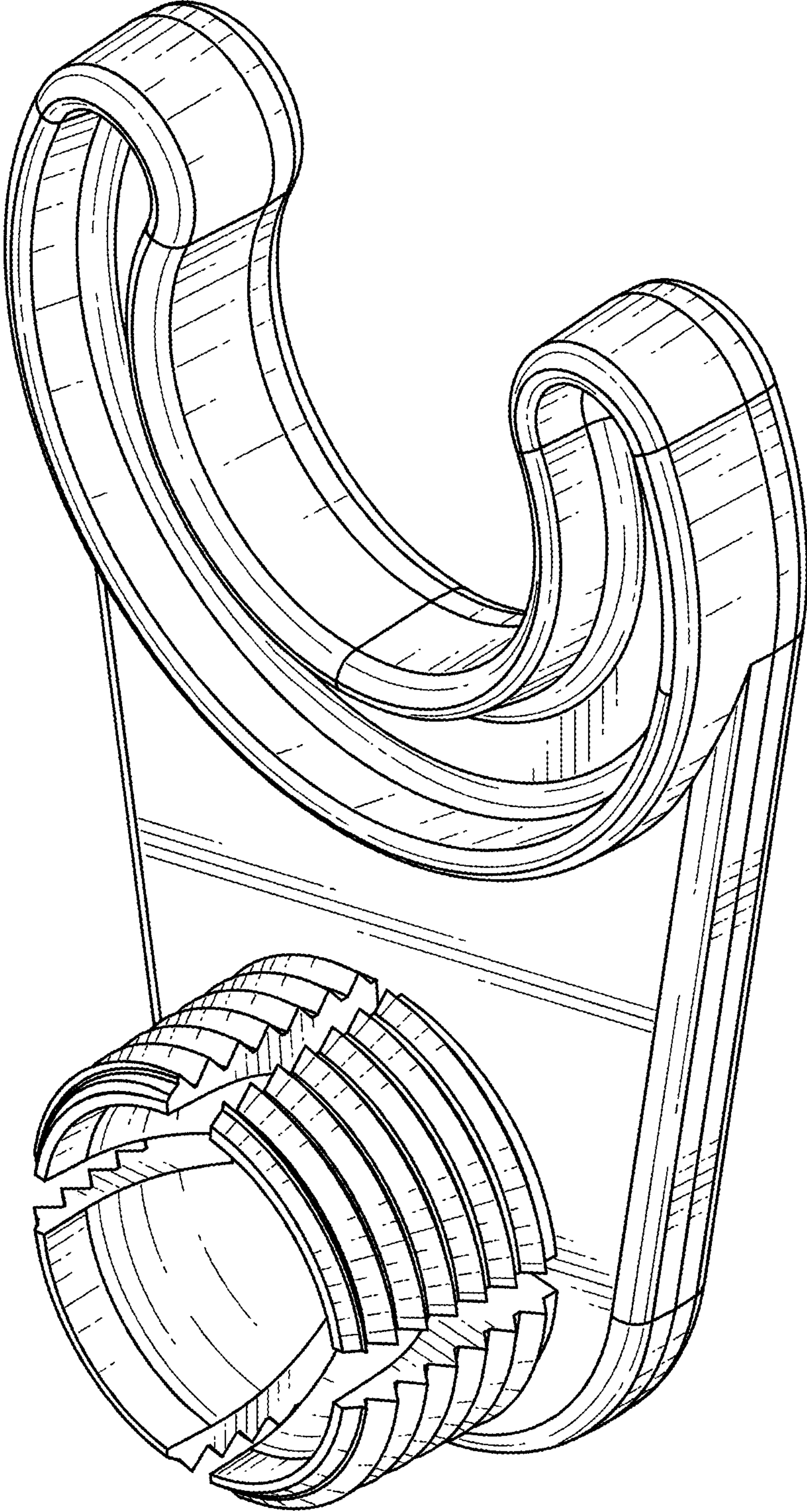


FIG. 1

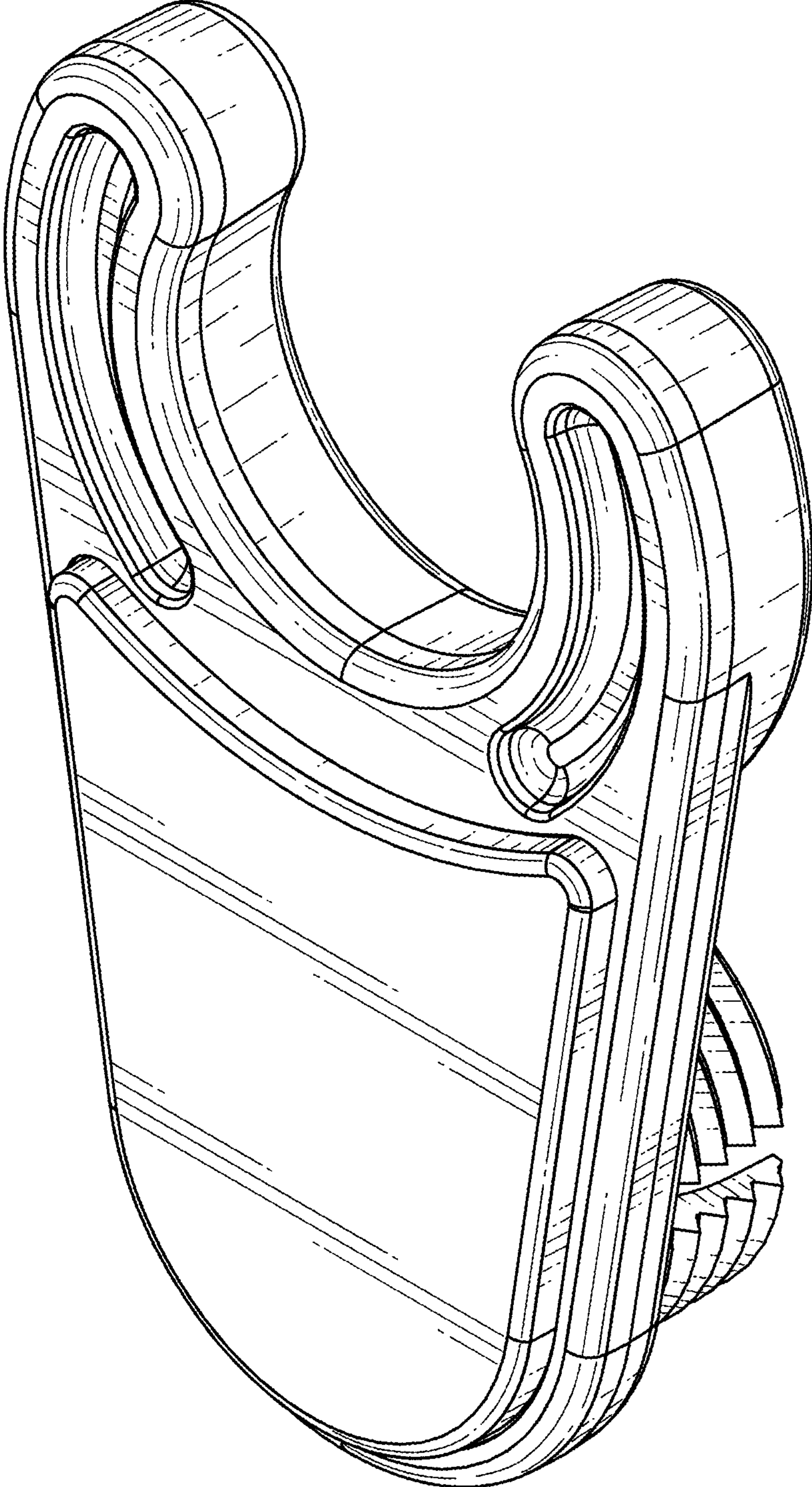


FIG. 2

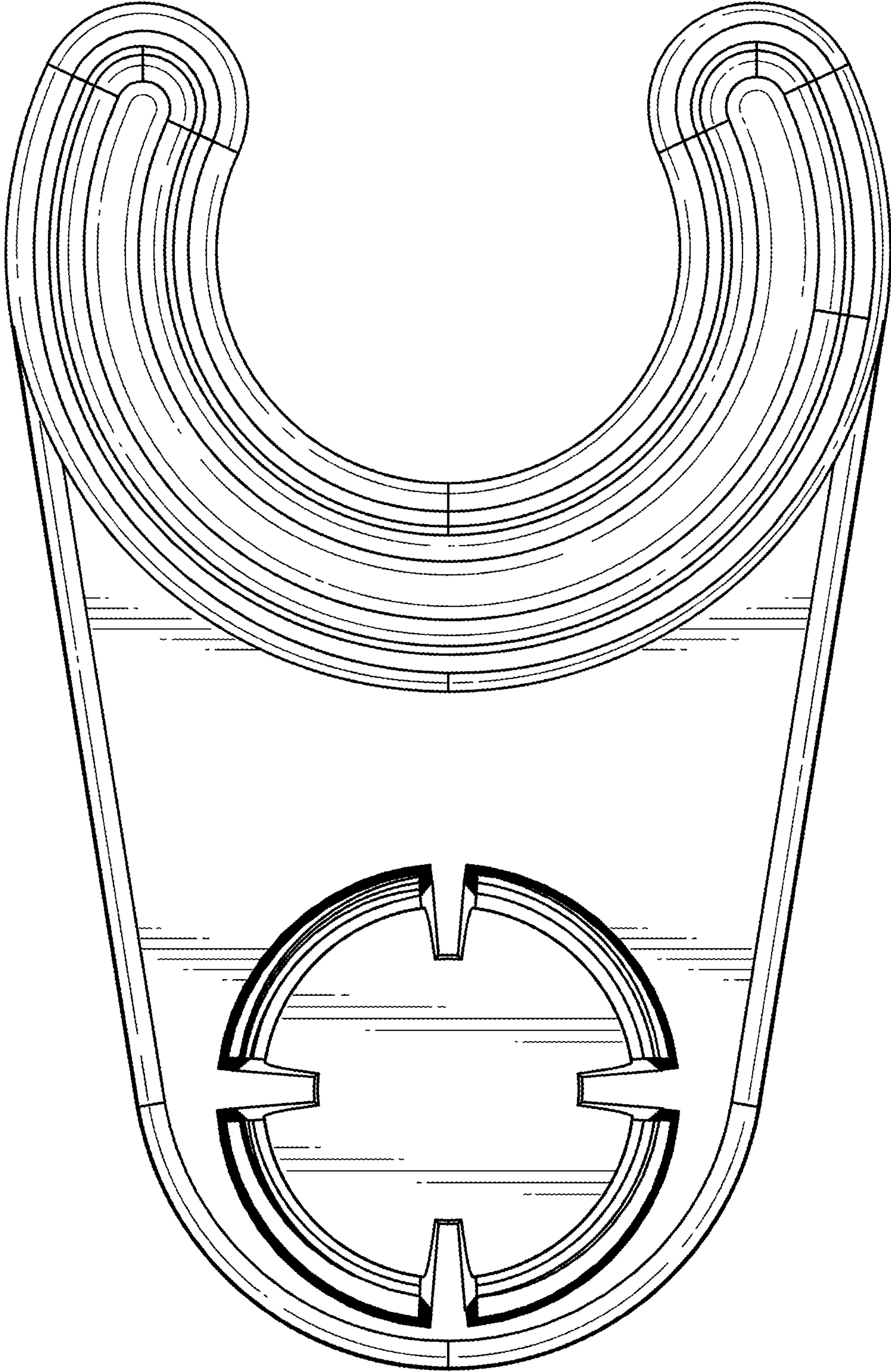


FIG. 3

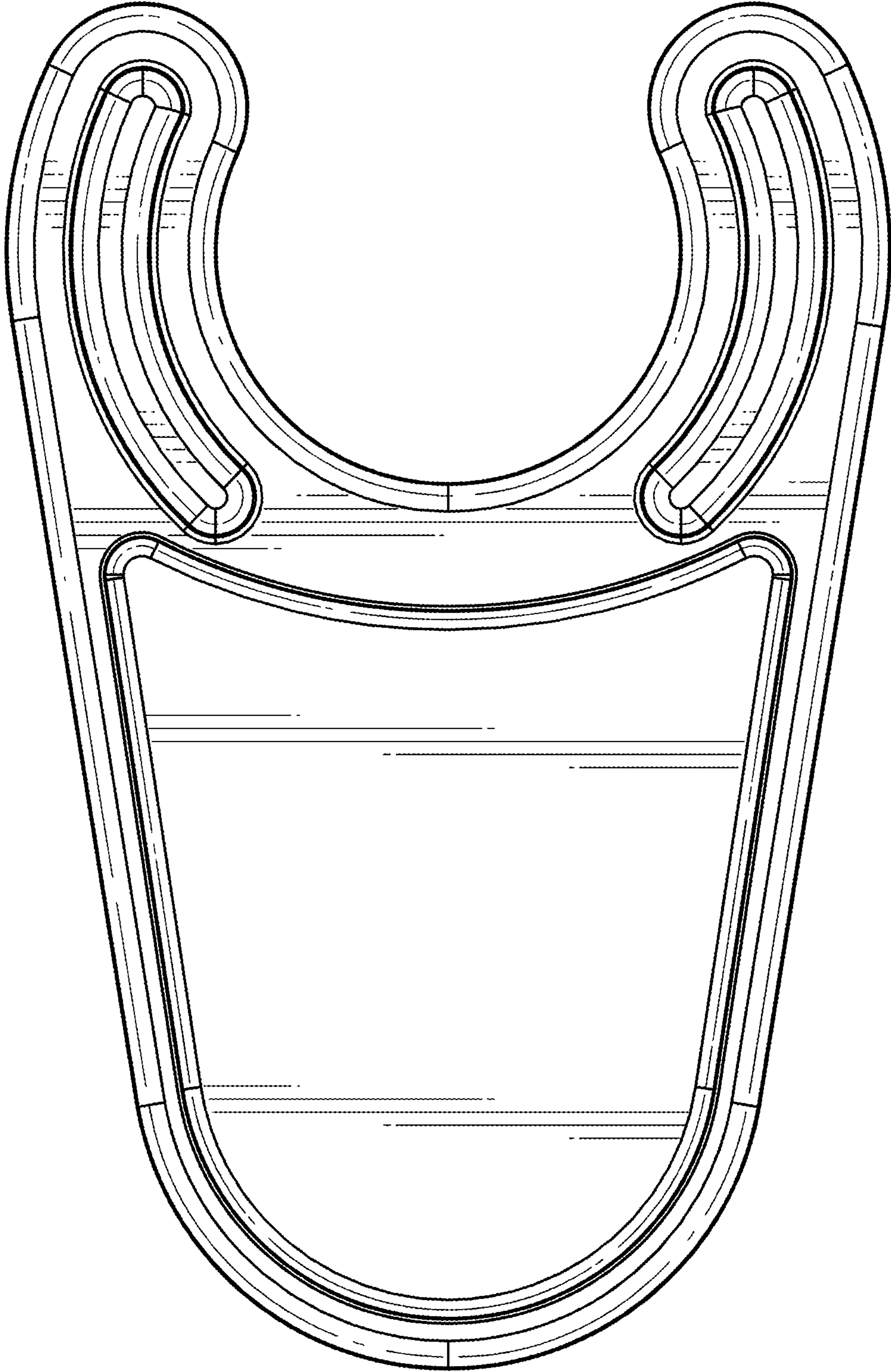


FIG. 4

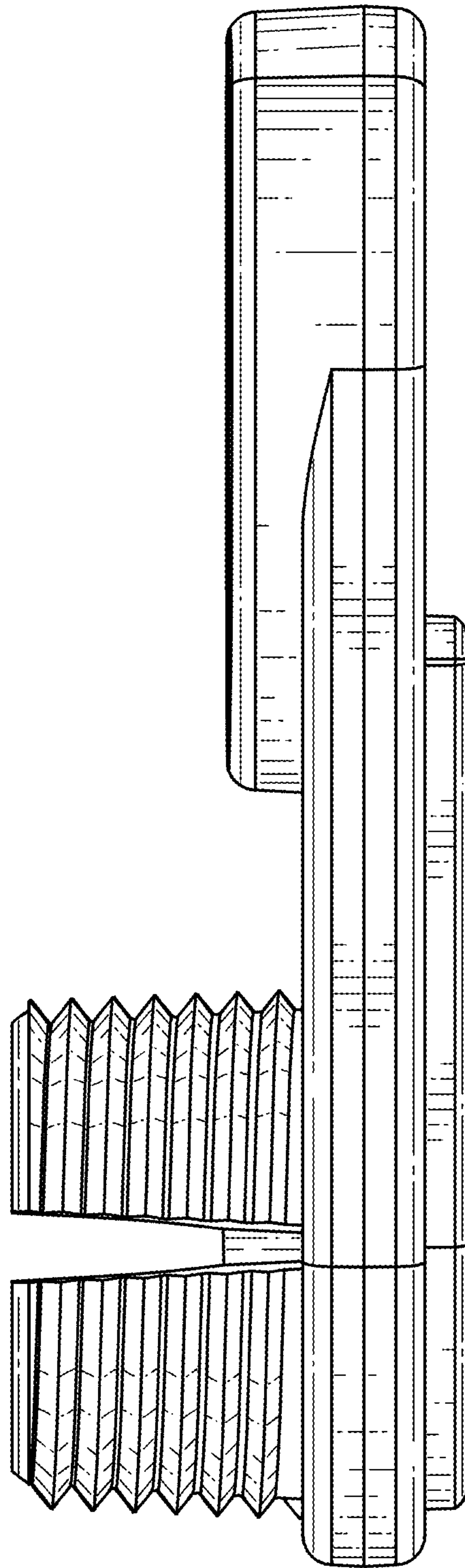


FIG. 5

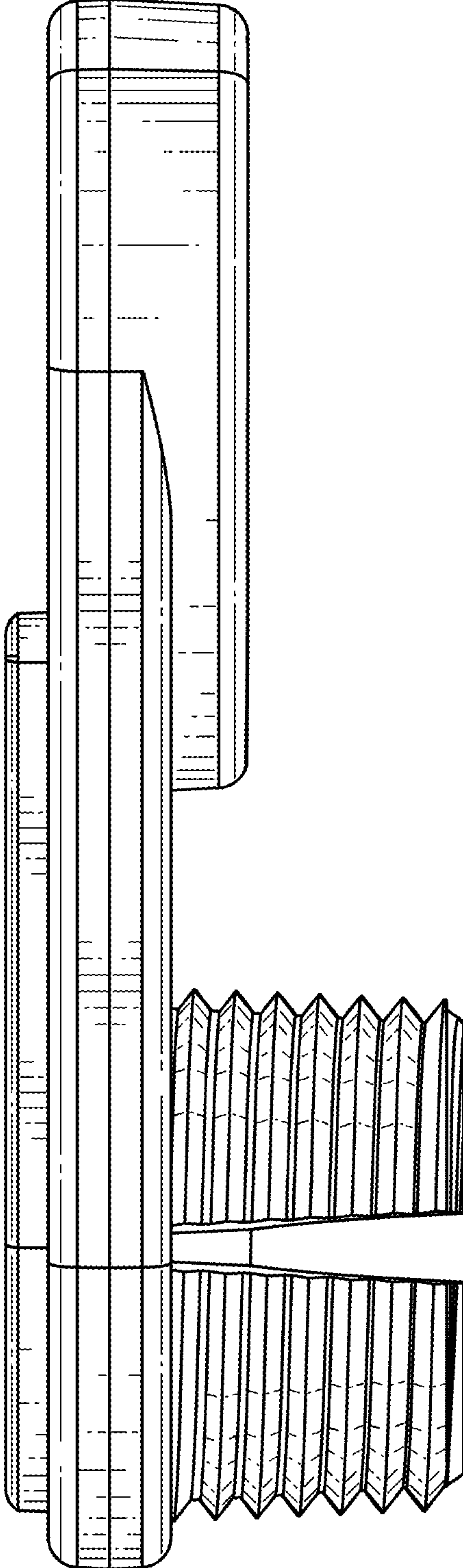


FIG. 6

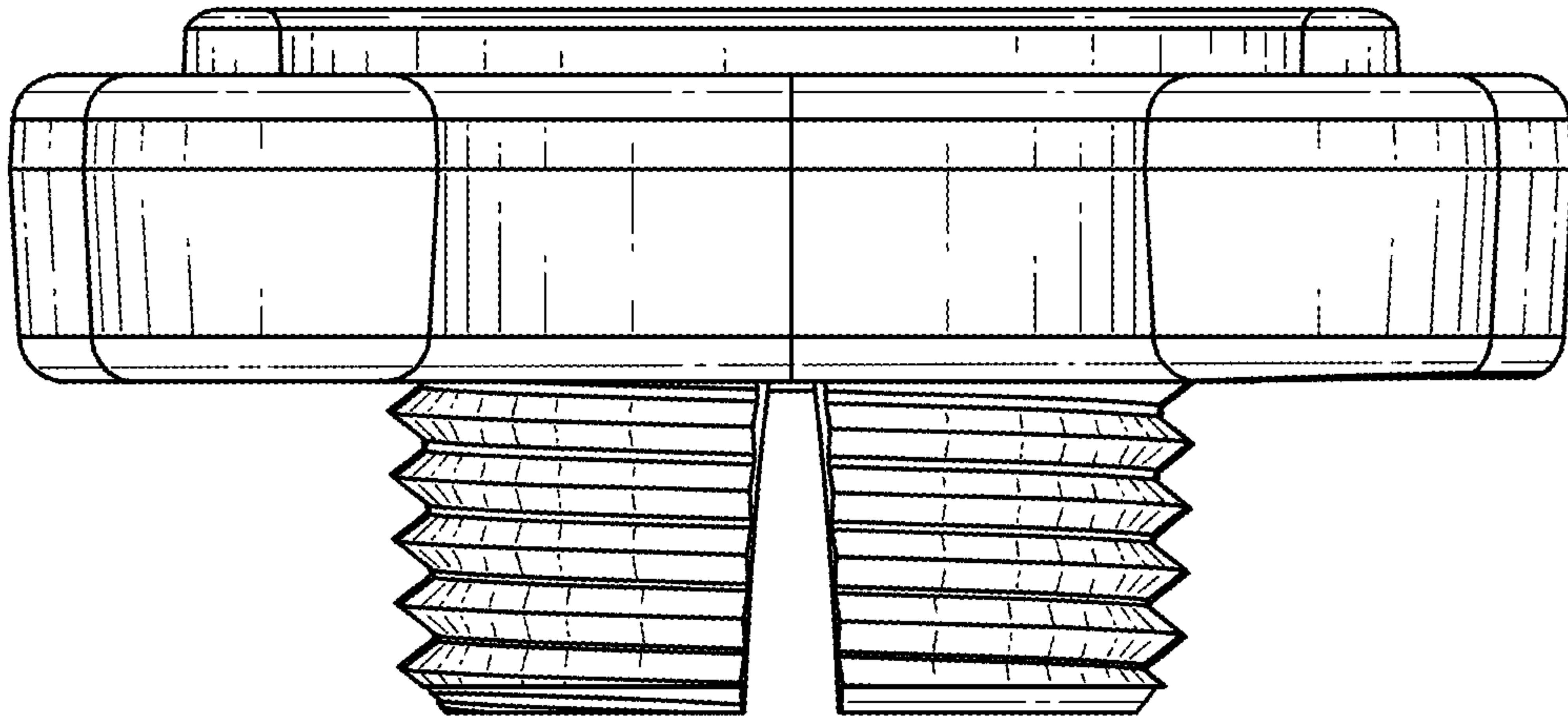


FIG. 7

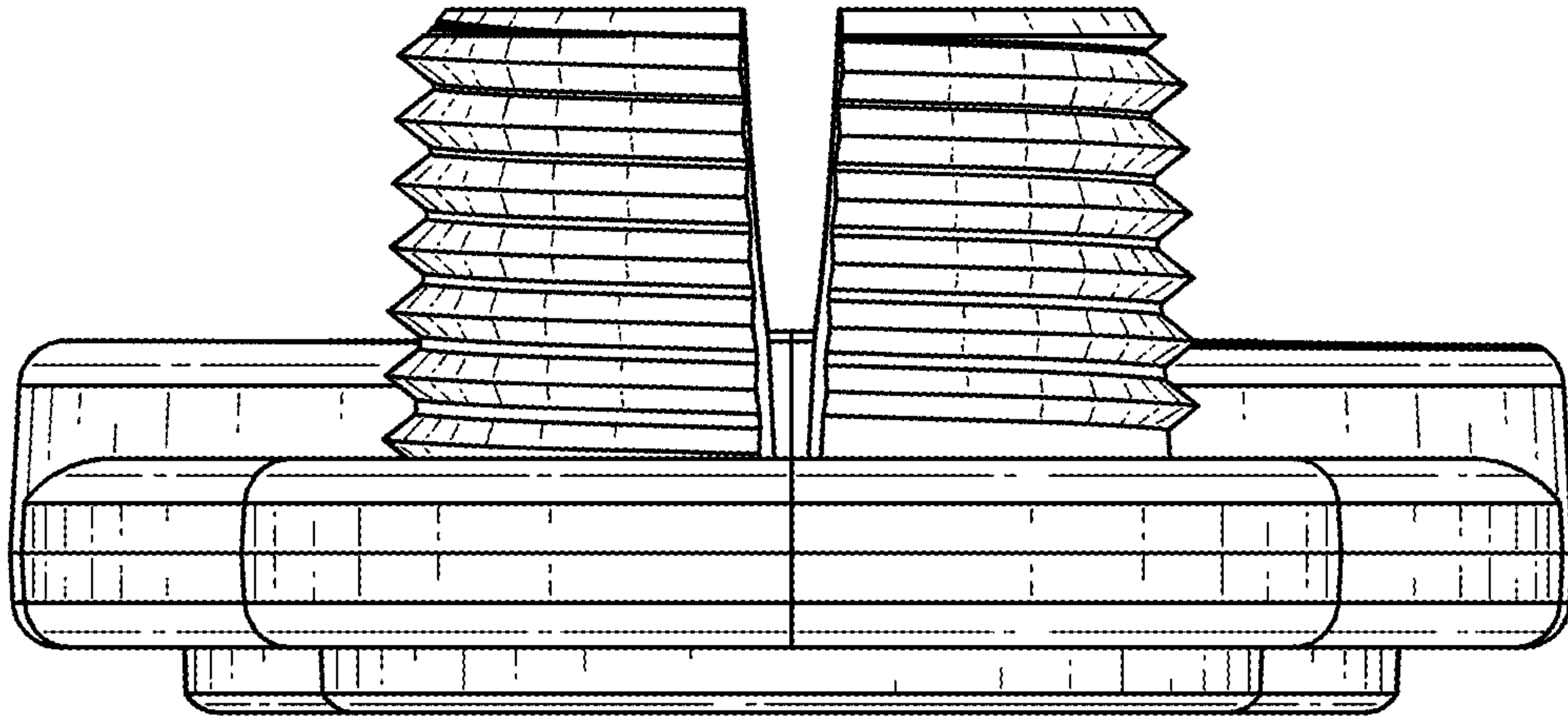


FIG. 8